



# Electromagnetic Locking

**ASSA ABLOY**

The global leader in  
door opening solutions

# Contents



## A4 and A8 Single Series Non Monitored

Electromagnetic Lock  
page 3



## A4 and A8 Single Series Monitored

Electromagnetic Lock  
page 5



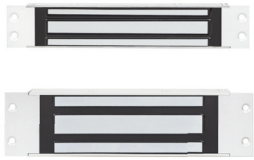
## A4 and A8 Double Series Non Monitored

Electromagnetic Lock  
page 7



## A4 and A8 Double Series Monitored

Electromagnetic Lock  
page 9



## A4 and A8 Recessed

Electromagnetic Lock  
page 11



## Electromagnetic Lock

Accessories  
page 13

# A4 and A8 Single Series Non Monitored



## Single Series Non Monitored

The Single Series Electromagnetic Locks operate with holding forces from 250kg up to 580kg. Covering a range of applications the A4 and A8 Electromagnets are ideal for applications from cupboard doors through to high use commercial swing doors.

With fixing options including wood, aluminium and steel constructions as well as glass door applications, the range caters to most electromagnetic needs.

## Applications

- Aluminium doors
- Glass doors
- IT storage rooms
- Access control
- Surface mount for inward and outward swinging doors


## Key Features

- Fail-Safe: unlocks when power is removed
- Easy installation: suitable for both new and retrofit usage
- High holding force: refer to the technical data overleaf
- Self-alignment: armature plate pivots to accommodate door drop
- Silent operation: no humming or buzzing
- Dual voltage: site selectable 12 or 24 Vdc
- Instantaneous release: smart electronics on the A Series Electromagnets eliminate residual magnetism
- 5 Year ASSA ABLOY Warranty
- Fire rating – Please refer to the List of Approved Hardware with the respective fire door manufacturer

## Product Details

	A4 Magnet	A8 Magnet
<b>Holding Force</b>	250-280 Kg	550kg-580kg
<b>Dimensions</b>	(L)240 x (H)48.5 x (D)25mm	(L)265 x (H)71.8 x (D) 39 mm
<b>Voltage</b>	12Vdc/24Vdc +/- 10%	12Vdc/24Vdc +/- 10%
<b>Current</b>	500mA @ (12Vdc) 250mA @ (24Vdc)	420mA @ (12Vdc) 210mA @ (24Vdc)
<b>Monitoring</b>	Hall-Effect (Optional)	Hall-Effect (Optional)
<b>Operating Temperature</b>	-10 to 55 Degrees	-10 to 55 Degrees
<b>Operating Humidity</b>	0-90%	0-90%

## Standards and Compliance

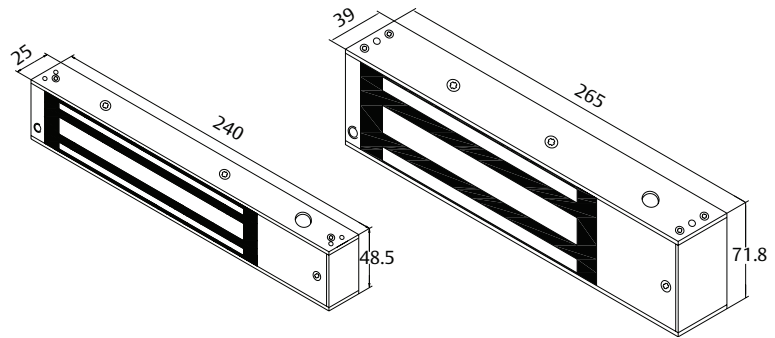
 CE Approved

 RCM Certified

# A4 and A8 Single Series Non Monitored



A4 Electromagnetic Lock - Non Monitored

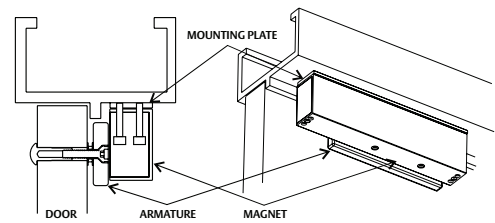


A4 Electromagnetic Lock

A8 Electromagnetic Lock



A8 Electromagnetic Lock - Non Monitored



Typical Install for A4 & A8 out swinging doors.

## Ordering Information

Part Number	Product Description
AAEMAGA4SSHSAL	EMA4 E/Magnet 12/24Vdc Single Non Monitored
AAEMAGA8SSHSAL	EMA8 E/Magnet 12/24Vdc Single Non Monitored

## Specification Statement

The Single Series Electromagnetic Lock should be constructed in an aluminium case with heavy duty electromagnet. The range only operates in Fail Safe mode and relies on a secondary lock or battery backup system. In some cases the Magnet Armature Plate pivots to accommodate door drop. The lock needs to be equipped with "smart electronics" that have zero residual magnetism (instantaneous release). This is crucial for correct operation.

# A4 and A8 Single Series Monitored



## Single Series Monitored

Electromagnetic Locks, operate with holding forces from 250kg up to 580kg. These can also be used for doors that need to be monitored in terms of door position and if the door is locked.

Covering a range of applications the A4 and A8 Electromagnets are ideal for applications from cupboard doors through to high use commercial swing doors.

With fixing options including wood, aluminium and steel constructions, as well as glass door applications, the range caters to most electromagnetic needs.

## Key Features

- Fail-Safe: unlocks when power is removed
- Easy installation: suitable for both new and retrofit usage
- High holding force: refer to the technical data overleaf
- Self-alignment: armature plate pivots to accommodate door drop
- Silent operation: no humming or buzzing
- Dual voltage: site selectable 12 or 24 Vdc

- Monitoring: reed switch monitoring on all models, hall-effect monitoring on A4 and A8 models
- Instantaneous release: smart electronics on the A Series Electromagnets eliminate residual magnetism
- 5 Year ASSA ABLOY Warranty
- Fire rating – Please refer to the List of Approved Hardware with the respective fire door manufacturer

## Monitoring

### Hall / Bond Monitoring

This indicates that the lock is powered and that the armature plate is in position and magnetically bonded (it monitors if the magnet is locked)

### Reed Switch Monitoring

An integrated reed switch monitors the door position separately (it monitors the position of the door)


## Applications

- Aluminium doors
- Glass doors
- IT storage rooms
- Access control
- Surface mount for inswing and outswing doors

## Product Details

	A4 Magnet	A8 Magnet
<b>Holding Force</b>	250-280 Kg	550kg-580kg
<b>Dimensions</b>	(L)240 x (H)48.5 x (D)25mm	(L)265 x (H)71.8 x (D) 39 mm
<b>Voltage</b>	12Vdc/24Vdc +/- 10%	12Vdc/24Vdc +/- 10%
<b>Current</b>	500mA @ (12Vdc) 250mA @ (24Vdc)	420mA @ (12Vdc) 210mA @ (24Vdc)
<b>Monitoring</b>	Hall-Effect & Reed Switch	Hall-Effect & Reed Switch
<b>Operating Temperature</b>	-10 to 55 Degrees	-10 to 55 Degrees
<b>Operating Humidity</b>	0-90%	0-90%

## Standards and Compliance

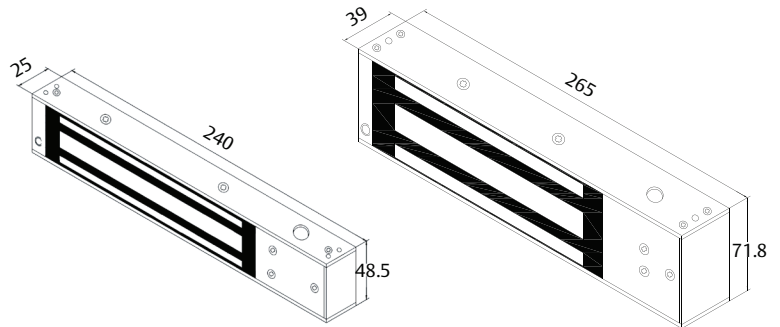
 CE Approved

 RCM Certified

# A4 and A8 Single Series Monitored



A4 Electromagnetic Lock - Monitored

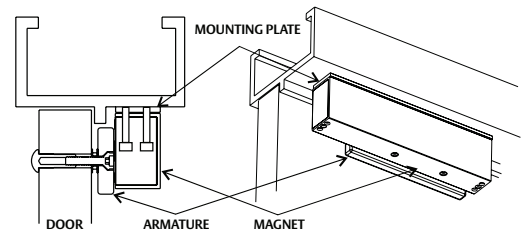


A4 Electromagnetic Lock

A8 Electromagnetic Lock



A8 Electromagnetic Lock - Monitored



Typical Install for A4 & A8 out swinging doors.

## Ordering Information

Part Number	Product Description
AAEMAGA4SSHRAL	EMA4 E/Magnet 12/24Vdc Single Monitored
AAEMAGA8SSHRAL	EMA8 E/Magnet 12/24Vdc Single Monitored

## Specification Statement

The Single Series Electromagnetic Lock should be constructed in an aluminium case with heavy duty electromagnet. The range only operates in Fail Safe mode and relies on a secondary lock or battery backup system. In some cases the magnet armature plate pivots to accommodate door drop. The lock needs to be equipped with "smart electronics" that have zero residual magnetism (instantaneous release). This is crucial for correct operation.

# A4 and A8 Double Series Non Monitored



## Double Series Monitored

The Electromagnetic Locks operate with holding forces from 500kg up to 1160kg. Covering a range of applications these magnets are ideal for applications from access ways through to high use commercial swing doors. With fixing options including wood, aluminium and steel constructions as well as glass door applications, the range caters to most electromagnetic needs.

## Applications

- Aluminium doors
- Double swing doors
- Access control
- Surface mount for inswing and outswing doors

## Key Features

- Fail-Safe: unlocks when power is removed
- Easy installation: suitable for both new and retrofit usage
- High holding force: refer to the technical data overleaf
- Self-alignment: armature plate pivots to accommodate door drop
- Silent operation: no humming or buzzing
- Dual voltage: site selectable 12 or 24 Vdc
- Instantaneous release: smart electronics on the electromagnets eliminate residual magnetism
- 5 Year ASSA ABLOY Warranty
- Fire rating – Please refer to the List of Approved Hardware with the respective fire door manufacturer

## Product Details

	A4 Magnet	A8 Magnet
<b>Holding Force</b>	500-560 Kg	1100kg-1160kg
<b>Dimensions</b>	(L)480 x (H)48.5 x (D)25mm	(L)530 x (H)71.8 x (D) 39 mm
<b>Voltage</b>	12Vdc/24Vdc +/- 10%	12Vdc/24Vdc +/- 10%
<b>Current</b>	1000mA @ (12Vdc) 500mA @ (24Vdc)	840mA @ (12Vdc) 420mA @ (24Vdc)
<b>Monitoring</b>	Hall-Effect (Optional)	Hall-Effect (Optional)
<b>Operating Temperature</b>	-10 to 55 Degrees	-10 to 55 Degrees
<b>Operating Humidity</b>	0-90%	0-90%

## Standards and Compliance



CE Approved



RCM Certified

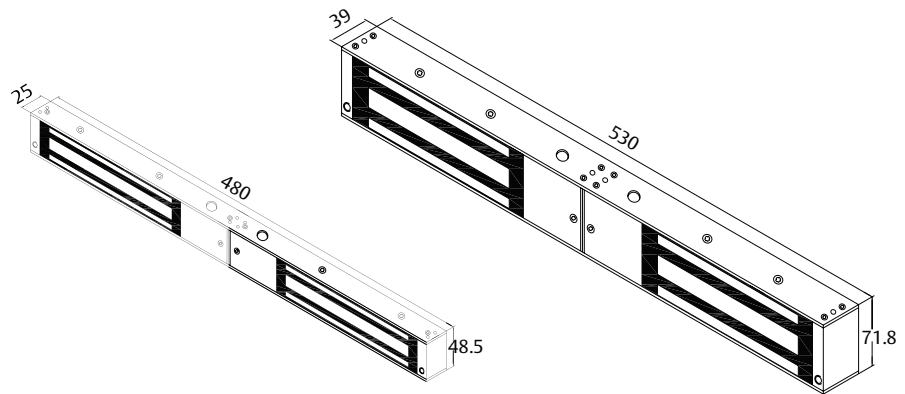
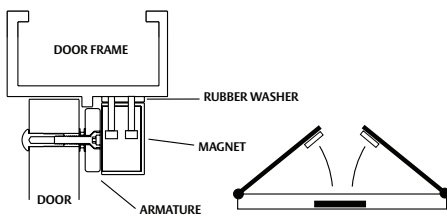
# A4 and A8 Double Series Non Monitored



A4 Double Electromagnetic Lock - Non Monitored



A8 Double Electromagnetic Lock - Non Monitored



Out swinging door using the standard mounting plate.

A4 Electromagnetic Lock

A8 Electromagnetic Lock

## Ordering Information

Part Number	Product Description
AAEMAGA4DSHSAL	EMA4 E/Magnet 12/24Vdc Double Non Monitored
AAEMAGA8DSHSAL	EMA8 E/Magnet 12/24Vdc Double Non Monitored

## Specification Statement

The Double Series Electromagnetic Lock should be constructed in an aluminium case with heavy duty electromagnet. The range only operates in Fail Safe mode and relies on a secondary lock or battery backup system. The lock needs to be equipped with "smart electronics" that have zero residual magnetism (instantaneous release). This is crucial for correct operation.



# A4 and A8 Double Series Monitored



## Double Series Monitored

Electromagnetic Locks, operate with holding forces from 500kg up to 1160kg.

These can also be used for doors that need to be monitored in terms of door position and if the door is locked.

Covering a range of applications the A4 and A8 Electromagnets are ideal for applications from cupboard doors through to high use commercial swing doors.

With fixing options including wood, aluminium and steel constructions, as well as glass door applications, the range caters to most electromagnetic needs.

## Key Features

- Fail-Safe: unlocks when power is removed
- Easy installation: suitable for both new and retrofit usage
- High holding force: refer to the technical data overleaf
- Self-alignment: armature plate pivots to accommodate door drop
- Silent operation: no humming or buzzing

- Dual voltage: site selectable 12 or 24 Vdc
- Monitoring: hall-effect and reed switch monitoring on all models
- Instantaneous release: smart electronics on the A Series Electromagnets eliminate residual magnetism
- 5 Year ASSA ABLOY Warranty
- Fire rating – Please refer to the List of Approved Hardware with the respective fire door manufacturer

## Applications

- Aluminium doors
- Double swing doors
- Access control
- Surface mount for inswing and outswing doors

## Monitoring

### Hall / Bond Monitoring

This indicates that the lock is powered and that the Armature Plate is in position and magnetically bonded (it monitors if the magnet is locked)

### Reed Switch Monitoring

An integrated reed switch monitors the door position separately (it monitors the position of the door)

## Product Details

	A4 Magnet	A8 Magnet
<b>Holding Force</b>	500-560 Kg	1100kg-1160kg
<b>Dimensions</b>	(L)480 x (H)48.5 x (D)25mm	(L)530 x (H)71.8 x (D) 39 mm
<b>Voltage</b>	12Vdc/24Vdc +/- 10%	12Vdc/24Vdc +/- 10%
<b>Current</b>	1000mA @ (12Vdc) 500mA @ (24Vdc)	840mA @ (12Vdc) 420mA @ (24Vdc)
<b>Monitoring</b>	Hall-Effect & Reed Switch	Hall-Effect & Reed Switch
<b>Operating Temperature</b>	-10 to 55 Degrees	-10 to 55 Degrees
<b>Operating Humidity</b>	0-90%	0-90%

## Standards and Compliance



CE Approved



RCM Certified

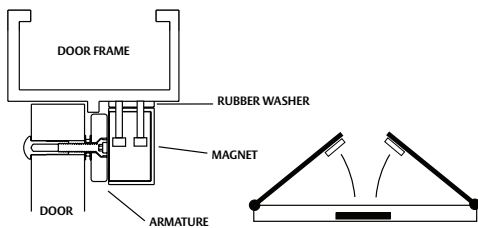
# A4 and A8 Double Series Monitored



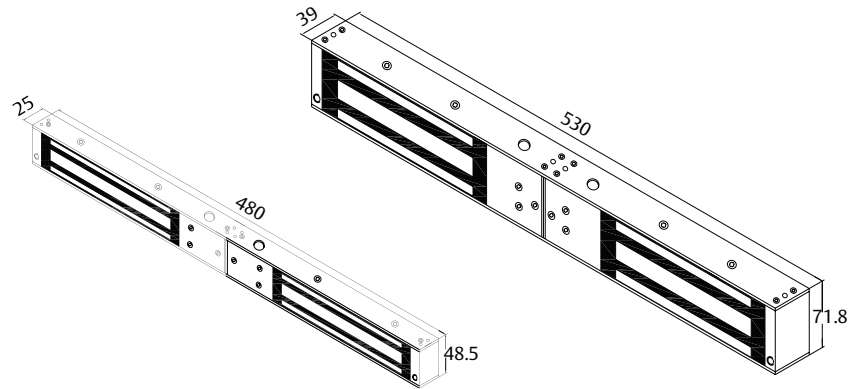
A4 Double Electromagnetic Lock - Monitored



A8 Double Electromagnetic Lock - Monitored



Out swinging door using the standard mounting plate.



A4 Electromagnetic Lock

A8 Electromagnetic Lock

## Ordering Information

Part Number	Product Description
AAEMAGA4DSHRAL	EMA4 E/Magnet 12/24Vdc Double Monitored
AAEMAGA8DSHRAL	EMA8 E/Mag 12/24Vdc Double Monitored

## Specification Statement

The Double Series Electromagnetic Lock should be constructed in an aluminium base with heavy duty electromagnet. The range only operates in Fail Safe mode and relies on a secondary lock or battery backup system. The lock needs to be equipped with "smart electronics" that have zero residual magnetism (instantaneous release). This is crucial for correct operation.

# A4 and A8 Recessed Electromagnetic Lock



## Recessed Electromagnetic Locks

The Recessed Electromagnetic Locks operate with holding forces up to 280kg and 580kg. Covering a range of applications these magnets are ideal for situations where the magnet needs to be recessed such as swing and sliding doors. With fixing options including wood, aluminium and steel constructions, the range caters to most needs. The electromagnets are available in both monitored and non monitored models, using hall-effect monitoring on some. These Electromagnetic Locks are CSIRO approved for use on fire doors and are characterised by their high quality and proven reliability in both fire and security applications.

## Key Features

- Fail-Safe: unlocks when power is removed
- Easy installation: suitable for both new and retrofit usage
- High holding force: refer to the technical data overleaf
- Self-alignment: armature plate pivots to accommodate door drop
- Silent operation: no humming or buzzing

- Dual voltage: site selectable 12 or 24 Vdc
- Monitored versions: hall-effect status monitoring available on some models
- Instantaneous release: smart electronics on the Recessed Electromagnetic Lock eliminate residual magnetism
- 5 Year ASSA ABLOY Warranty
- Fire rating – Please refer to the List of Approved Hardware with the respective fire door manufacturer

## Applications

- Various sliding door applications

## Product Details

	A4 Magnet	A8 Magnet
<b>Holding Force</b>	250kg-280kg	550kg-580kg
<b>Dimensions</b>	(L)232 x (H)42 x (D)24.5mm	(L)254 x (H)65.8 x (D) 39 mm
<b>Voltage</b>	12Vdc/24Vdc +/- 10%	12Vdc/24Vdc +/- 10%
<b>Current</b>	500mA @ (12Vdc) 250mA @ (24Vdc)	420mA @ (12Vdc) 210mA @ (24Vdc)
<b>Monitoring</b>	Hall-Effect	Hall-Effect
<b>Operating Temperature</b>	-10 to 55 Degrees	-10 to 55 Degrees
<b>Operating Humidity</b>	0-90%	0-90%

## Standards and Compliance



CE Approved



RCM Certified

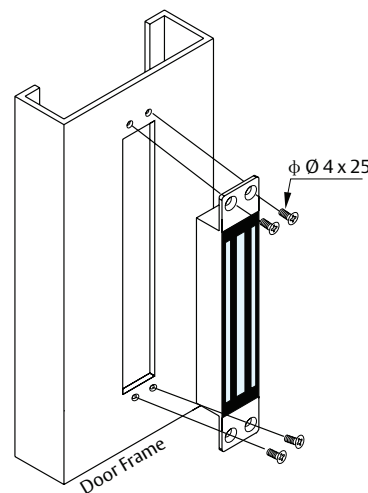
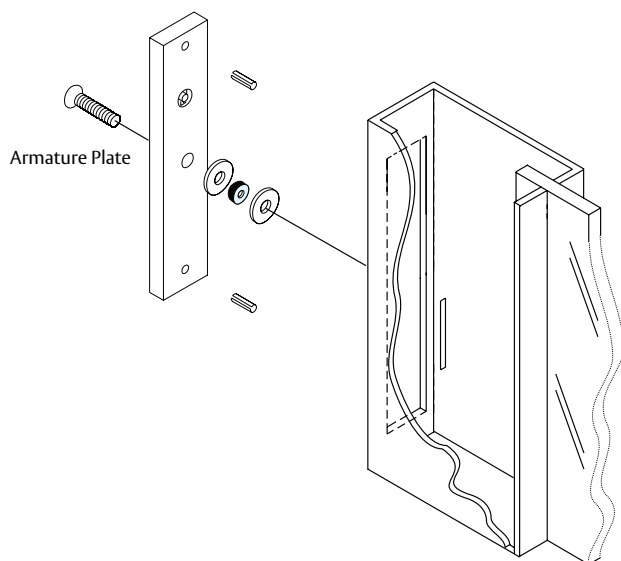
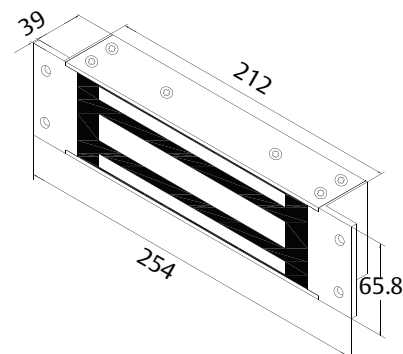
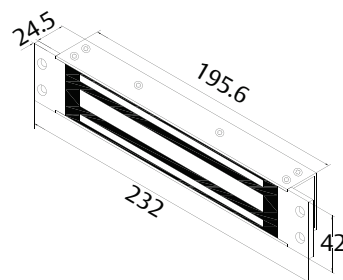
# A4 and A8 Recessed Electromagnetic Lock



A4 Recessed Electromagnetic Lock



A8 Recessed Electromagnetic Lock



## Ordering Information

Part Number	Product Description
AAEMAGA4SRHSAL	EMA4 E/Magnet Recessed 12/24Vdc Single Monitored
AAEMAGA8SRHSAL	EMA8 E/Magnet Recessed 12/24Vdc Single Monitored

## Specification Statement

The A4 and A8 Recessed Electromagnetic Lock should be constructed in an aluminium case with heavy duty electromagnet. The range only operates in Fail Safe mode and relies on a secondary lock or battery backup system. The lock needs to be equipped with "smart electronics" that have zero residual magnetism (instantaneous release). This is crucial for correct operation.

# Electromagnetic Lock Accessories



L and Z Brackets



U Bracket



U Bracket Plate

## Electromagnetic Lock Accessories

The Electromagnetic Lock range offers a number of accessory options. These accessories allow the Electromagnetic Locks to be used in a number of different applications and can be adjusted and suited to each situation. This allows the installer to configure the door as required allowing user specific features such as open in / open out selection or glass door applications. Electromagnetic Lock Accessories meet or exceed local and international standards, providing safe and secure locking.

### Key Features

- Adjustable fixing positions
- Cast aluminium construction
- Meet and exceed international and local standards
- Fire rating – Please refer to the List of Approved Hardware with the respective fire door manufacturer

### Applications

- Open in/open out doors
- Glass door security
- Double doors security
- Sliding door security

## Ordering Information

Part Number	Product Description
<b>A4 Brackets</b>	
AAEBKA4SLAL	L BRACKET FOR A4 600 LBS MAGNET
AAEBKA4SZLAL	Z & L BRACKET FOR A4 600 LBS MAGNET
AAEBKA4SULAL	U BRACKET FOR A4 600 LBS MAGNET
AAEBKA4SIAL	I BRACKET FOR A4 600 LBS MAGNET
<b>A8 Brackets</b>	
AAEBKA8SZLAL	L BRACKET FOR A8 1200 LBS MAGNET
AAEBKA8SZLAL	Z & L BRACKET FOR A8 1200 LBS MAGNET
AAEBKA8SULAL	U BRACKET FOR A8 1200 LBS MAGNET
AAEBKA8SIAL	I BRACKET FOR A8 1200 LBS MAGNET

ASSA ABLOY is the global leader in door opening solutions, dedicated to satisfying end-user needs for security, safety and convenience.

ASSA ABLOY is represented in all major regions, in both mature and emerging markets, with leading positions in Australia, Europe and North America.

As the world's leading lock group, ASSA ABLOY offers a more complete product range of door opening solutions than any other company on the market.

