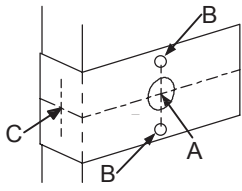


Bailey Handle Installation Instructions

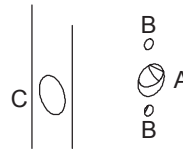
1 DOOR PREPARATION



Fold template and position at the correct height

- A Mark centre for lever handle.
- B Mark holes for through bolt fixing where required.
- C Mark centre of door thickness on horizontal centreline.

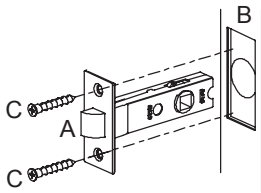
2 DRILL HOLES



When drilling through the door, drill from both sides to avoid damaging the door.

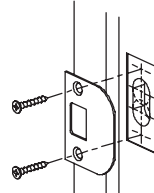
- A Drill a 25mm hole through the door.
- B Drill two 7mm holes through the door where through bolt fixing is required.
- C Drill a 25mm hole x 90mm deep into the front edge of door.

3 INSTALL LATCH



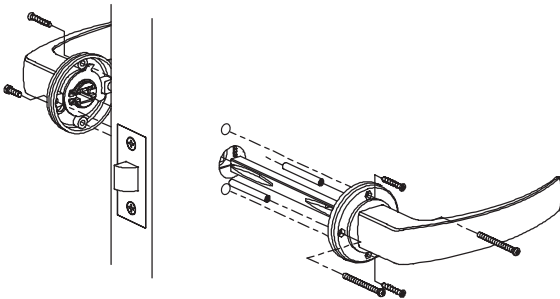
- A Insert latch into hole. Trace around face plate.
- B Chisel out wood until faceplate fits flush with door edge.
- C Fasten latch to door so bevelled edge of latchbolt faces jamb.

4 PREPARE JAMB & INSTALL STRIKE



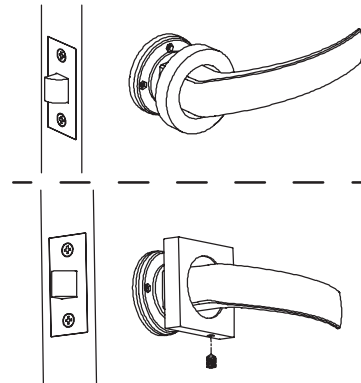
- A Mark vertical line and height centreline on jamb, exactly opposite centre of latch. Ensure the strike plate is positioned so door will not rattle.
- B Install striker and dust liner. Use striker plate as pattern for cutout. Chisel out and install striker.

5 INSTALL FURNITURE



To attach furniture to the door fit the threaded spindles to one side of the backplate first then insert the square spindle with the scalloped side facing the grub screw in the handle. Then fit the other handle. Screw the machine screws into the threaded spindles. Tighten the grub screws in the handles. Then add extra wood screws for strength.

6 FIT EITHER ROUND ROSETTE OR SQUARE ROSETTE



INSTALLATION TEMPLATE

Mark centre of door & drill 25mm diameter x 90mm deep hole minimum for the latchset

FOLD HERE ON
EDGE OF DOOR

