

# Sliding Door Lock Installation Instructions

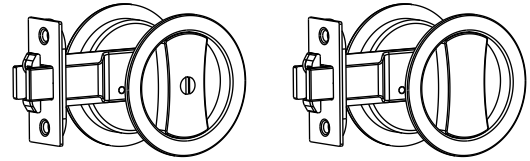
I13H119 / I24H119

Read this guide thoroughly before installation and follow the instructions.





This product is designed for lightweight interior doors. Do not use it on exterior or heavy metal doors.

## Door Thicknesses

Privacy : 31 mm~51 mm



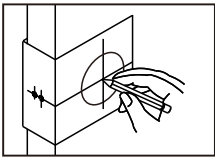
Select the length of mounting screws based on the thickness of the door.

Door thicknesses	Length of mounting screw
31~35 mm	 12 mm
35~40 mm	 18 mm
40~45 mm	 22 mm
45~55 mm	 28 mm

## Tailpiece lengths (Privacy)

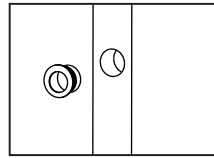
Door thicknesses	Length
31~36 mm	29 mm
36~44 mm	37 mm
44~51 mm	45 mm

## Mark Door with Template



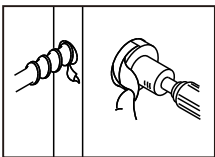
Fold the paper guide and place it on the corner of the door 914 mm from the floor. Make markings on the face and side of the door with the holes on the paper guide.

## Install the Sliding Door Finger Pull

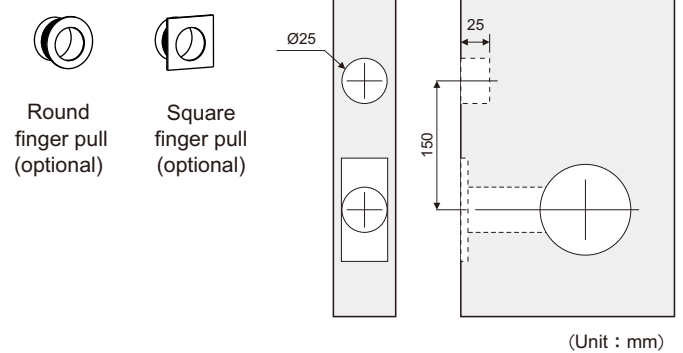
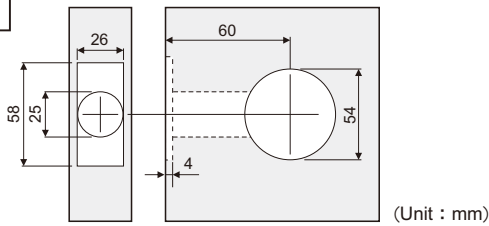


Install the finger pull on the side of the door. Drill a hole 25 mm in diameter and in depth 150 mm above the center of the lock, and then press the finger pull into the hole. (Optionally use construction adhesive to further secure the installation.)

## Drill Holes



Drill the 54 mm-diameter lock body hole on the face of the door and the 25 mm diameter latch bolt hole on the side of the door as indicated by the markings.

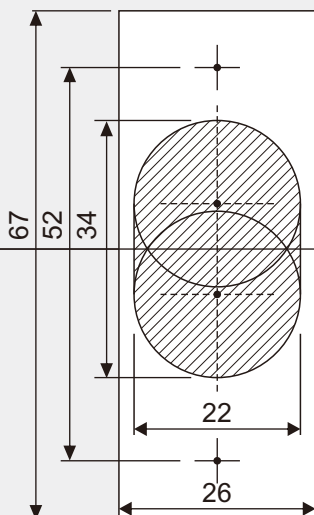


Round finger pull (optional)

Square finger pull (optional)



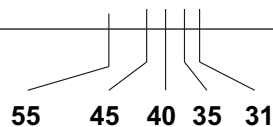
## STRIKE TEMPLATE



## TEMPLATE

### Right-handed door

Fold on dotted line and fit on door edge

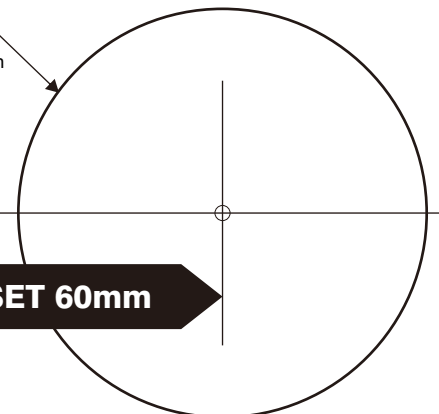


Make 25 mm hole at center of door edge.

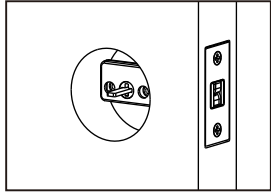
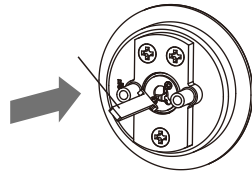
Ø54mm

Caution: Drill from both faces of the door to prevent door cracking.

FOR BACKSET 60mm

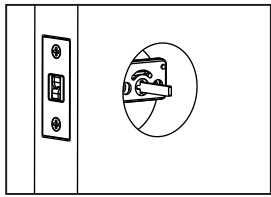
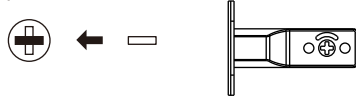


## Install Latch and Outside Lock



### Right-handed door

Turn the tailpiece to a horizontal position and insert it through the latch transmission plate.



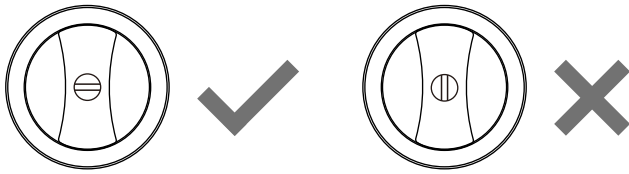
### Left-handed door

Turn the tailpiece to a vertical position and insert it through the latch transmission plate.



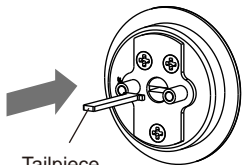
## Privacy & Communicating Lock

Turn the indicator to the green (unlocked) position.



Select the appropriate length for the tailpiece based on the thickness of the door.

Insert the tailpiece into the tailpiece base, turn in to the horizontal orientation, and push it through the latch transmission plate.



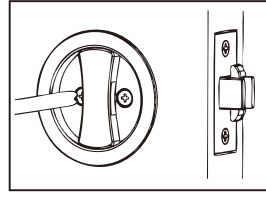
Tailpiece



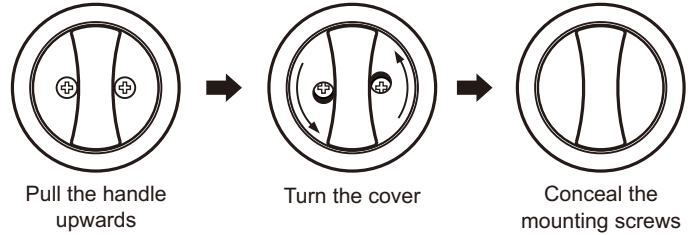
The tailpiece should be in the horizontal orientation.

## Install the Inside Lock

Pull the handle upwards and turn the decorative cover to expose the mounting holes. Select the length of mounting screws based on the thickness of the door and secure the inside lock body. Turn the handle to check if it works properly.



Pull the handle upwards, turn the decorative cover, and then turn the handle again to conceal mounting screws.



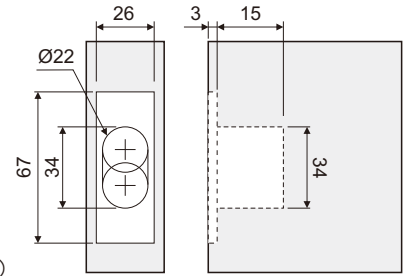
Pull the handle upwards

Turn the cover

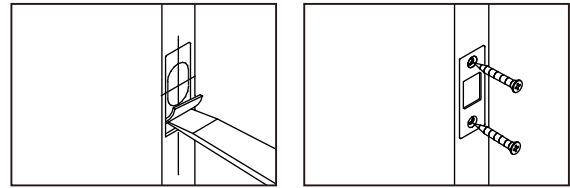
Conceal the mounting screws

## Install Strike

On the door frame, align the center of the strike with the center of the latch bolt faceplate and trace its edges. Drill holes as shown.



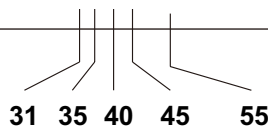
Chisel a 3 mm-deep indentation within the traces of the strike. Place the strike flush with the door frame and secure it with screws.



## TEMPLATE

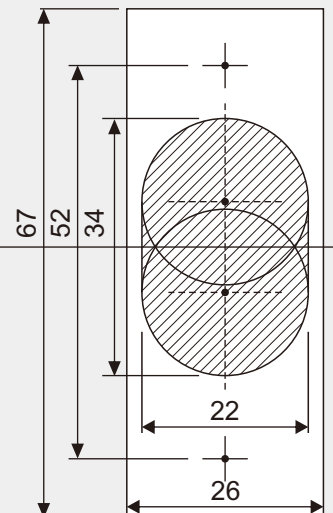
### Left-handed door

Fold on dotted line and fit on door edge



Make 25.4mm hole at center of door edge.

## STRIKE TEMPLATE



Ø54mm

Caution: Drill from both faces of the door to prevent door cracking.

FOR BACKSET 60mm