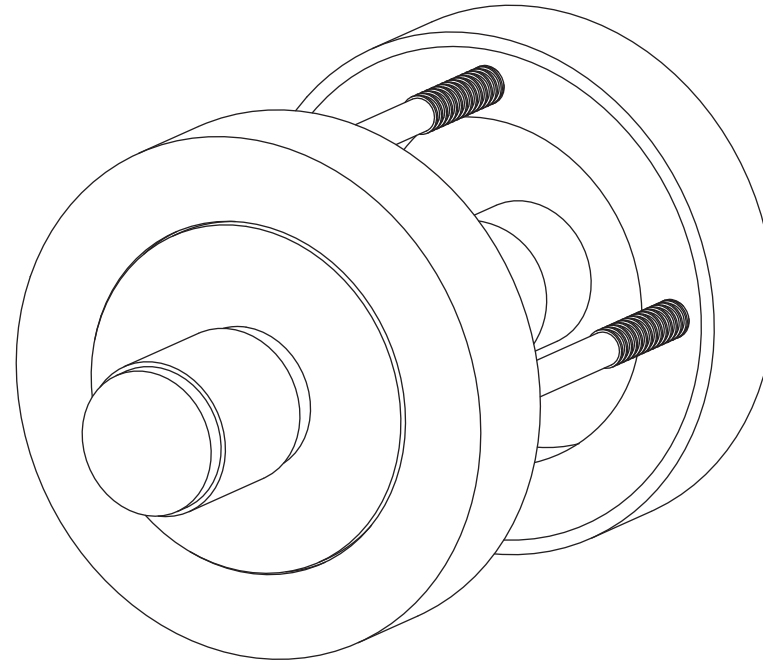


Install Instructions

Privacy Turn

BANKSTON



Scan for AU
Warranty



Scan for NZ
Warranty



Scan for
Product &
Finish Care
Information



*Image used for illustration purposes only.

Contact Us Southern Design Group

Australia
14 - 16 Stepney Street,
Stepney, South Australia 5069
P: +61 (0)8 8362 1133
info@bankstonarchitectural.com.au
bankstonarchitectural.com.au

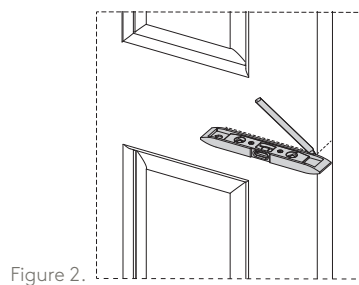
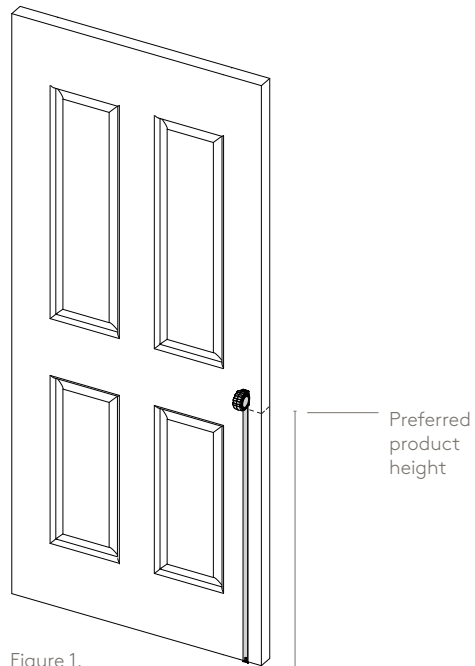
New Zealand
P: +64 (0)6 359 0008
info@bankstonarchitectural.co.nz
bankstonarchitectural.co.nz

SDG Trading Pty Ltd
trading as Bankston Architectural
ACN 008 154 041 | ABN 18 008 154 041



1. Marking the Door

- 1.1. Mark the edge of your door at the desired height of your Privacy bolt tongue.
- 1.2. We recommend 85mm CTC (centre o centre) under your door handle. (Figure 1)
- 1.3. Using a spirit level, mark the door at the desired height, continuing the line from the front of the door, around the edge and onto the back of the door. (Figure 2)
- 1.4. We recommend extending the line 100mm onto each face of the door.



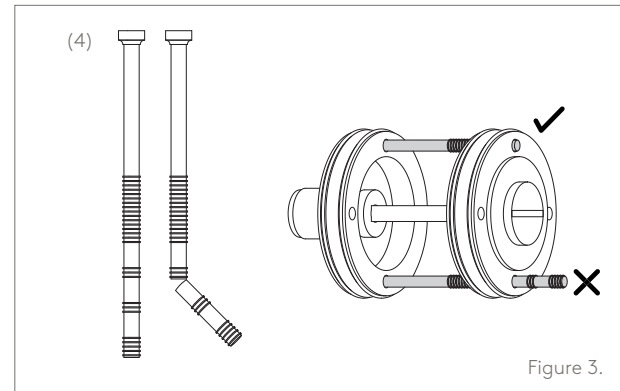
2. Install Privacy Bolt & Striker Plate

As per supplier instructions.

3. Prepare Cut-off screws

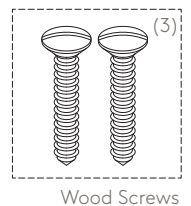
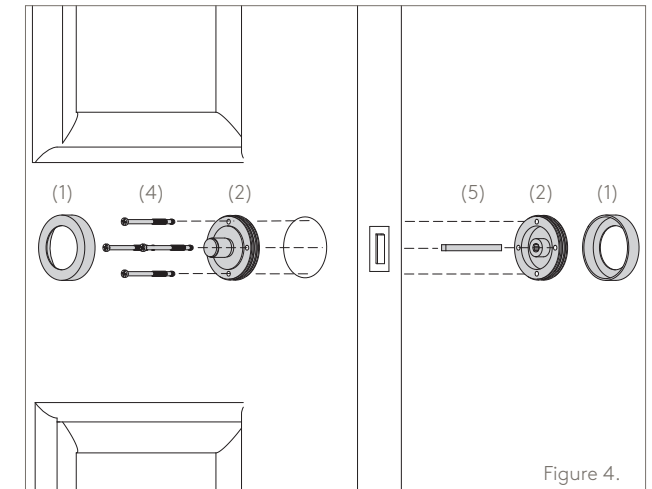
— if using face fix timber screws, proceed to step 4

- 3.1. If required, shorten cut-off screws to suit door thickness.
- 3.2. Ensure to cut so that the screw does not protrude from the opposite rose once installed. (Figure 3.)

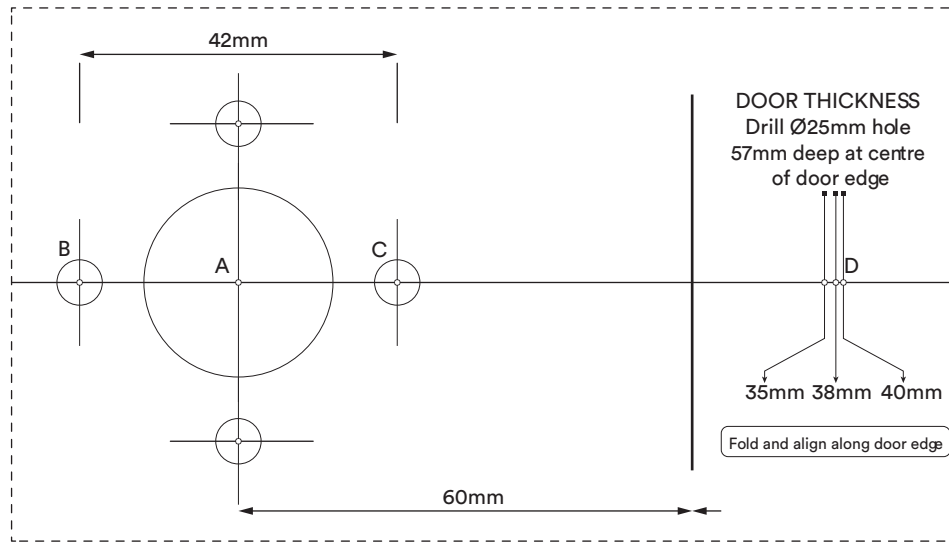


4. Install Privacy Turn

- 4.1. Place spindle through the privacy bolt keeper.
- 4.2. Unscrew the outer roses from the privacy turn set (for square rose hardware loosen grub screw and remove) and install the halves on either side of the door, ensuring the turn snib functions in the correct direction.
- 4.3. Insert two of the cut-off screws through non-threaded holes of the inner rose at 3 and 9 o'clock, screwing them into the opposite rose. Repeat at 12 and 6 o'clock (Figure 4.),
OR
- 4.4. Affix wood screws at all fixing points.
- 4.5. Replace outer rose covers.

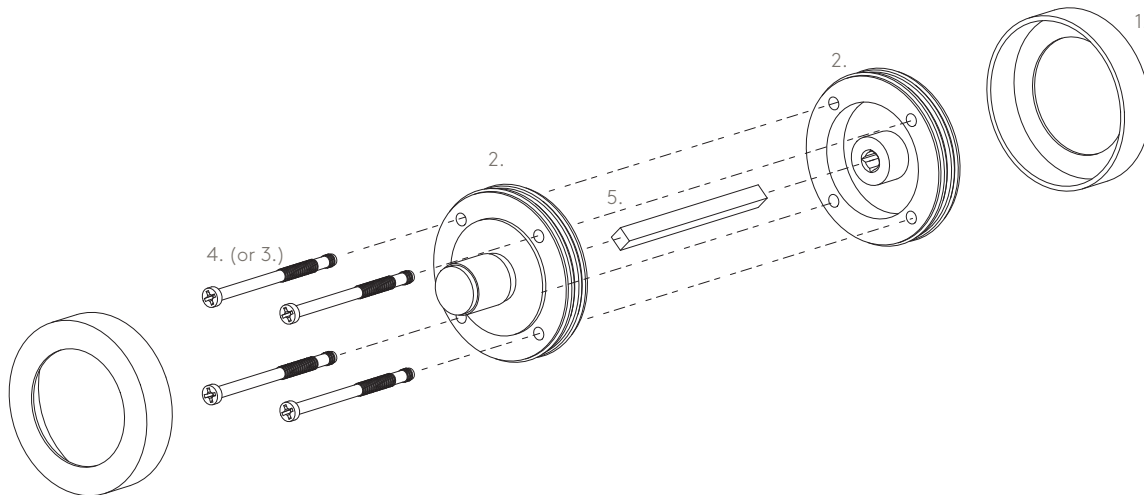


Drilling Template

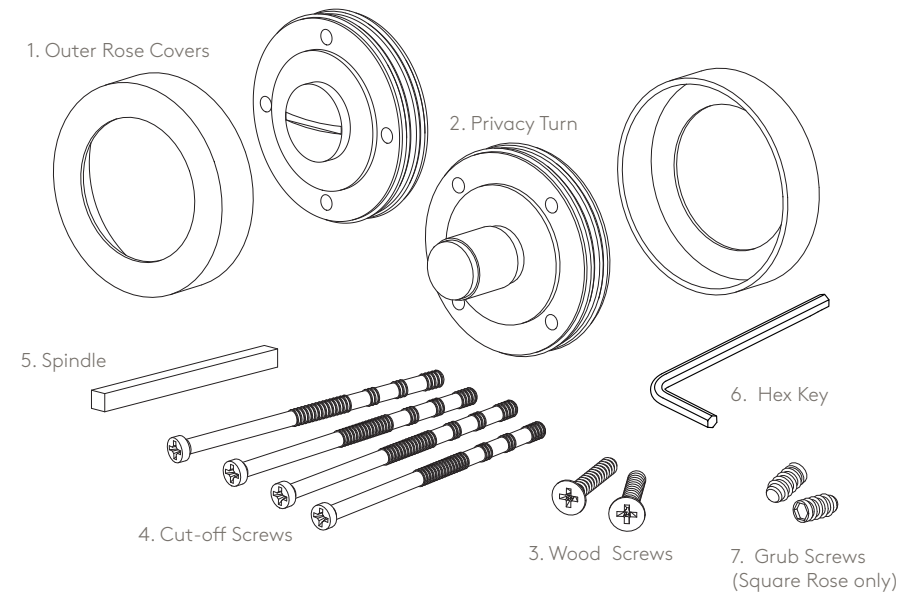


CUT ALONG THE DOTTED LINE

Privacy Turn



Included



Not Included

