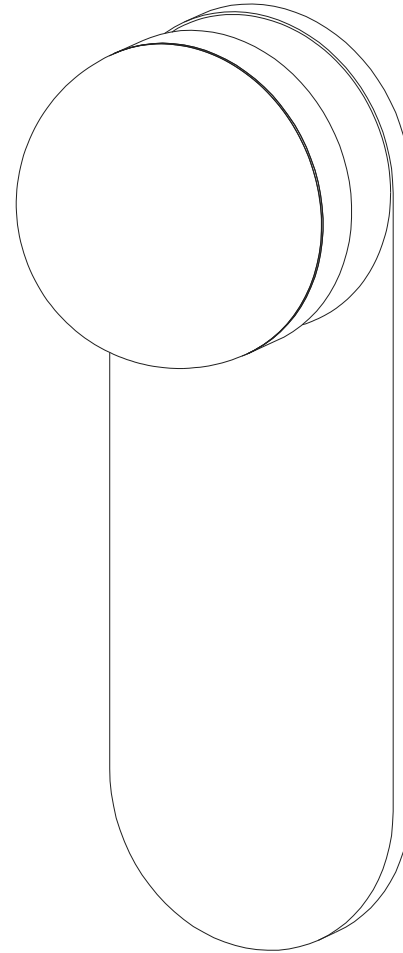


H02 Knob on Backplate

Install
Instructions

Bankston
Civilian



**Finishes &
Materials**



**FAQs &
Warranty**



Resources

bankston.com

@bankston_architectural



Bankston Australia
14-16 Stepney Street
Stepney, South Australia 5069

P. +61 (0)8 8362 1133
E. info@bankstonarchitectural.com.au

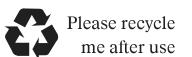
Bankston New Zealand
P. +64 (0)6 359 0008
E. info@bankstonarchitectural.co.nz

Bankston International
E. info@bankston.com

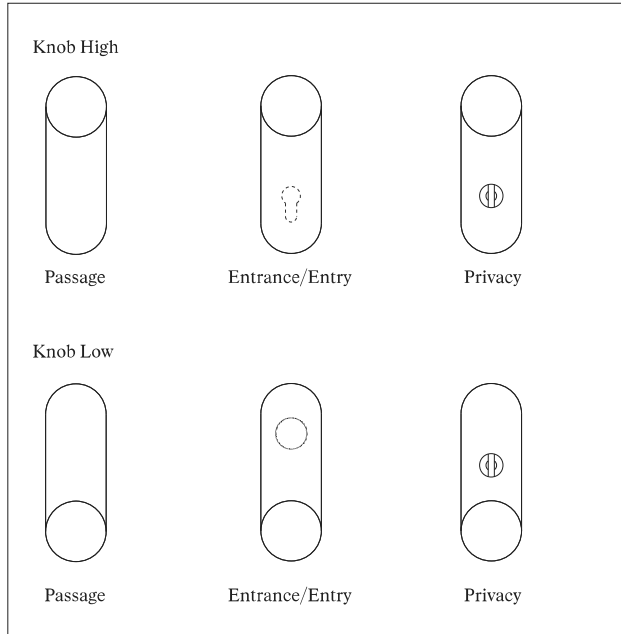
**SDG Trading Pty Ltd trading
as Bankston Architectural**

ACN 008 154 041
ABN 18 008 154 041

*Image used for illustration
purposes only

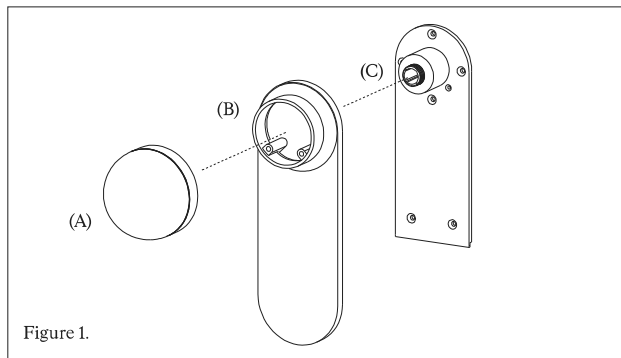


H02 Knob on backplate options:



1. Unbuild the product in this sequence

- 1.1 Unscrew the dome (A).
 - 1.2 Remove the backplate (B).
 - 1.3 This will leave the concealed plate with spindle housing (C).
- Figure 1.

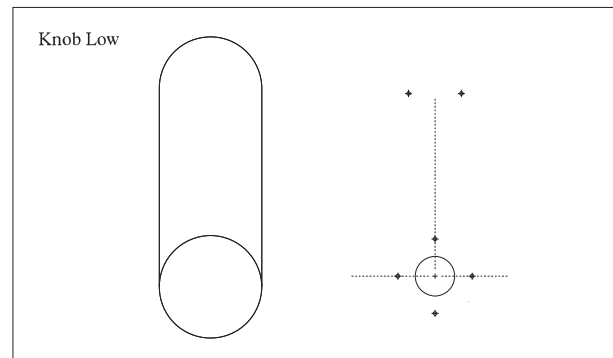
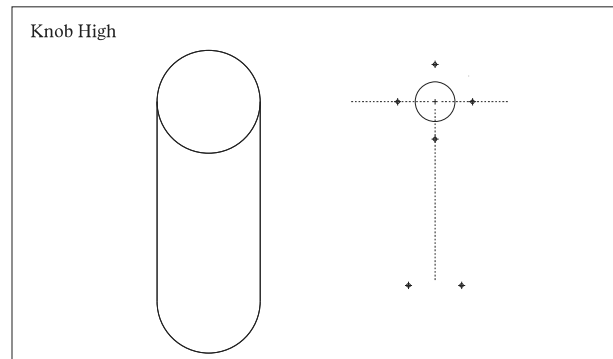


2. Install your latch, lock, or privacy mechanism.

- 2.1 Refer lock, latch, or privacy supplier instructions.
* minimum 70mm backset recommended.

3. Drilling the holes

- 3.1 Affix provided template to door and mark the pilot holes on both sides of the door.
- 3.2 Drill the pilot holes from both sides of the door.
- 3.3 Drill the Centre spindle hole using a 22mm or 7/8 inch spade bit.
- 3.4 **Privacy only:** Drill the privacy hole using a 12.5mm or 1/2 inch spade bit.
- 3.5 **Entrance only:** Drill the cylinder hole as per lock installation instructions.



4. Fixing to the door

- 4.1 Fix concealed plate with spindle housing (C) using wood screws (F) or threaded joiner bolts (G & H). We recommend using a standard spindle (K or L) in most applications.

If installing a privacy function, the privacy spindle must be placed into the lock body before fitting concealed plate with spindle housing (C) to both sides of the door. Figure 2. Split spindles (M) allow each knob to retract independently

and are supplied for use in the event that your latch is not operating smoothly as a result of misalignment during installation.

* Ensure you have cut your spindle to required length if required

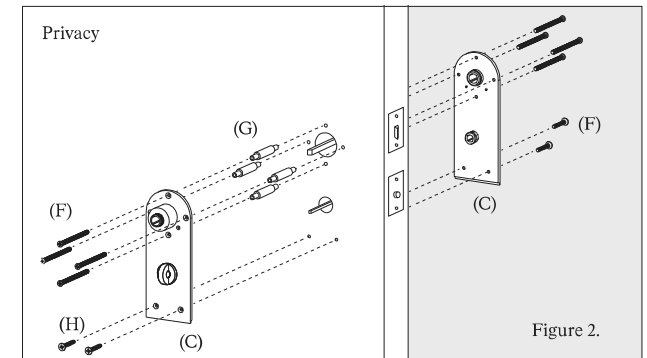
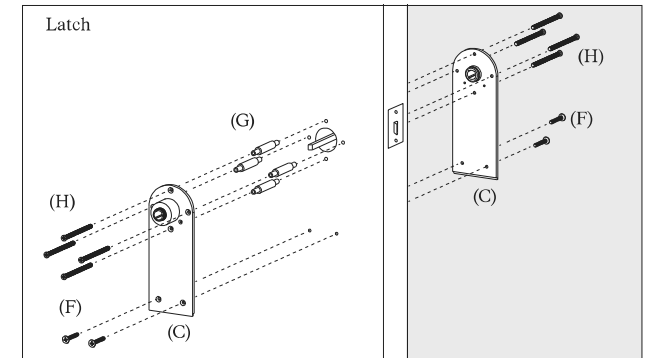
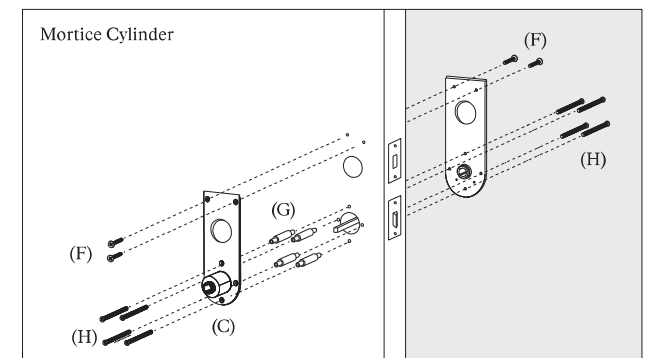
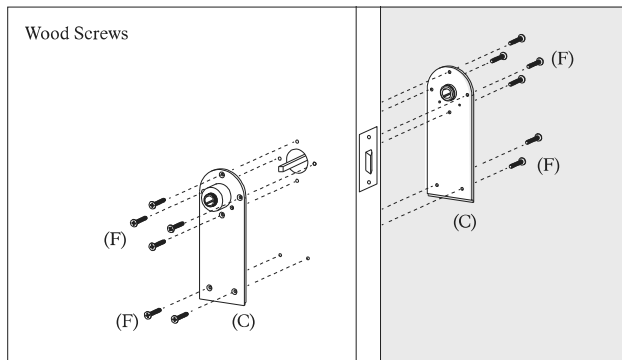
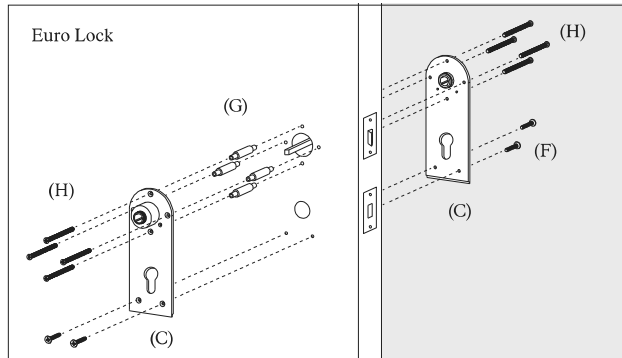


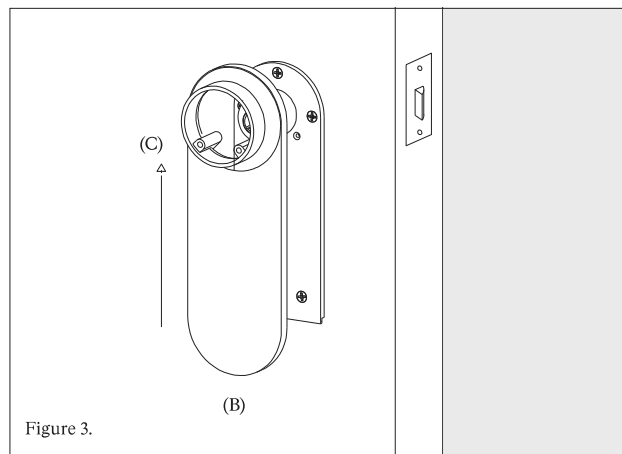
Figure 2.



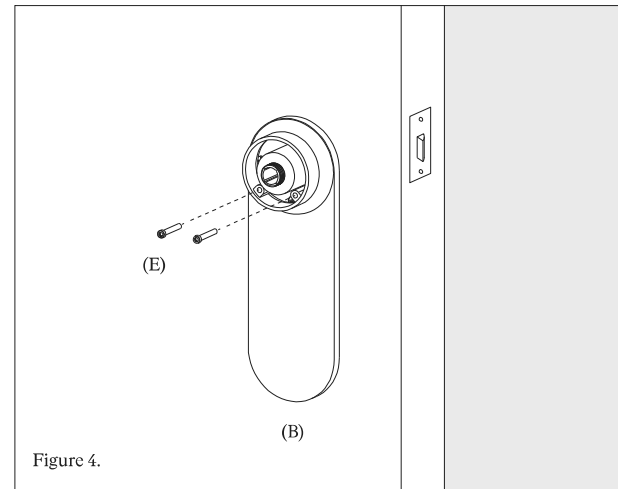
4. Fixing to the Door (Cont.)



4.2 Slide the backplate (B) over the concealed plate with spindle housing (C) and push it towards the door. Ensure backplate (B) has locked on to concealed plate with spindle housing (C). Figure 3.

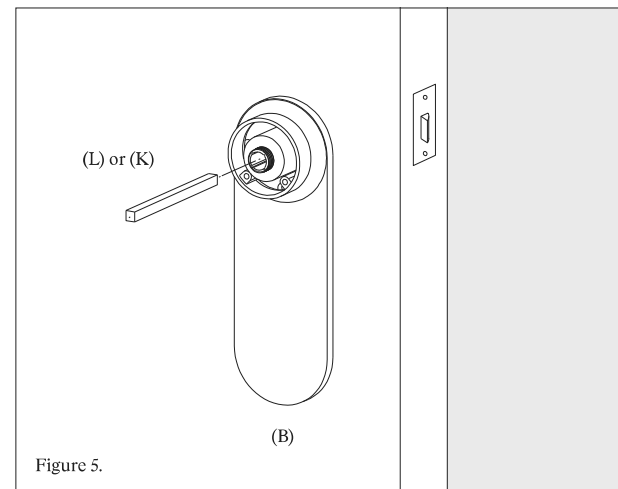


4.3 Attach the backplate (B) with the M3xL20mm cap head bolts (E) using allen key 2.5mm (J) to both sides of the door. Figure 4.

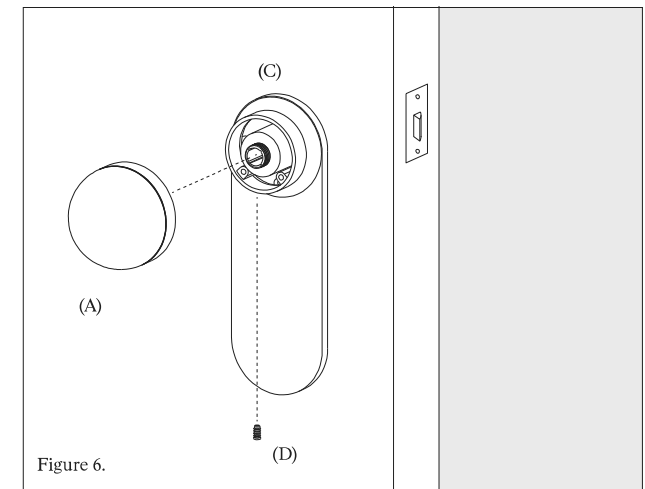


4.4 Place your preferred spindle (K or L recommended) into the lock body.

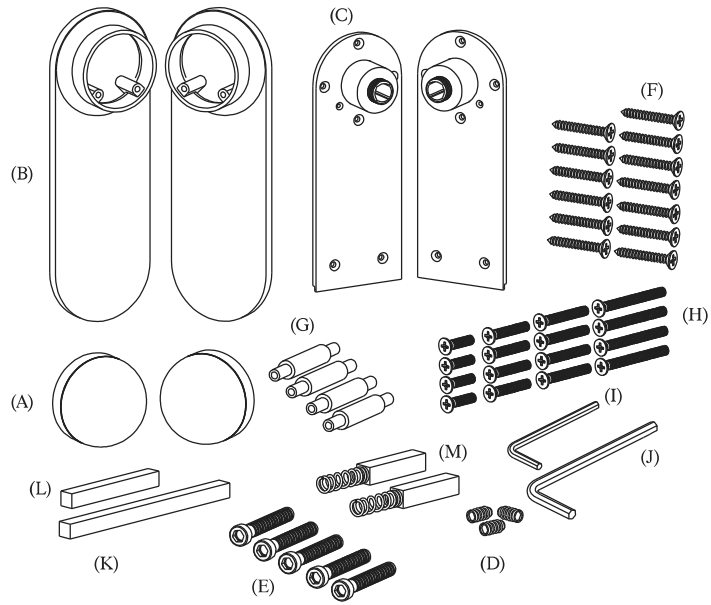
*Ensure you have cut your spindle to your required length if required. Figure 5.



4.5 Screw dome (A) onto the spindle housing (C) and lock it in place with grub screw (D) and allen key 1.5mm (I). Figure 6.



Included:



Dome with collar x 2 (A), backplate L168xw57mm x 2 (B), concealed plate with spindle housing x 2 (C), grub screw M3 x 3 (D), cap head bolts x 5 (E), wood screws x 13 (F), threaded joiner x 4 (G), 16 x bolts x 4 sizes (H), allen key 1.5mm x 1 (I), allen key 2.5mm x 1 (J), spindle L150mm x 1 (K), spindle L100mm x 1 (L), sprung spindle x 2 (M).

PLEASE NOTE:

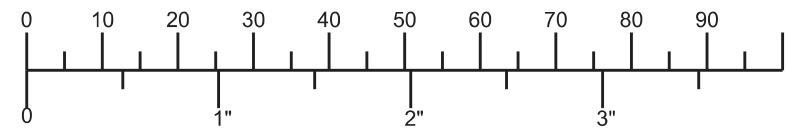
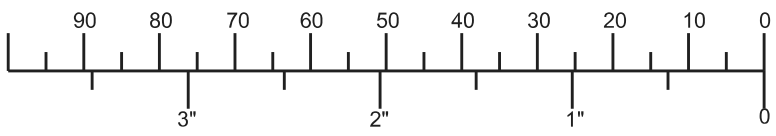
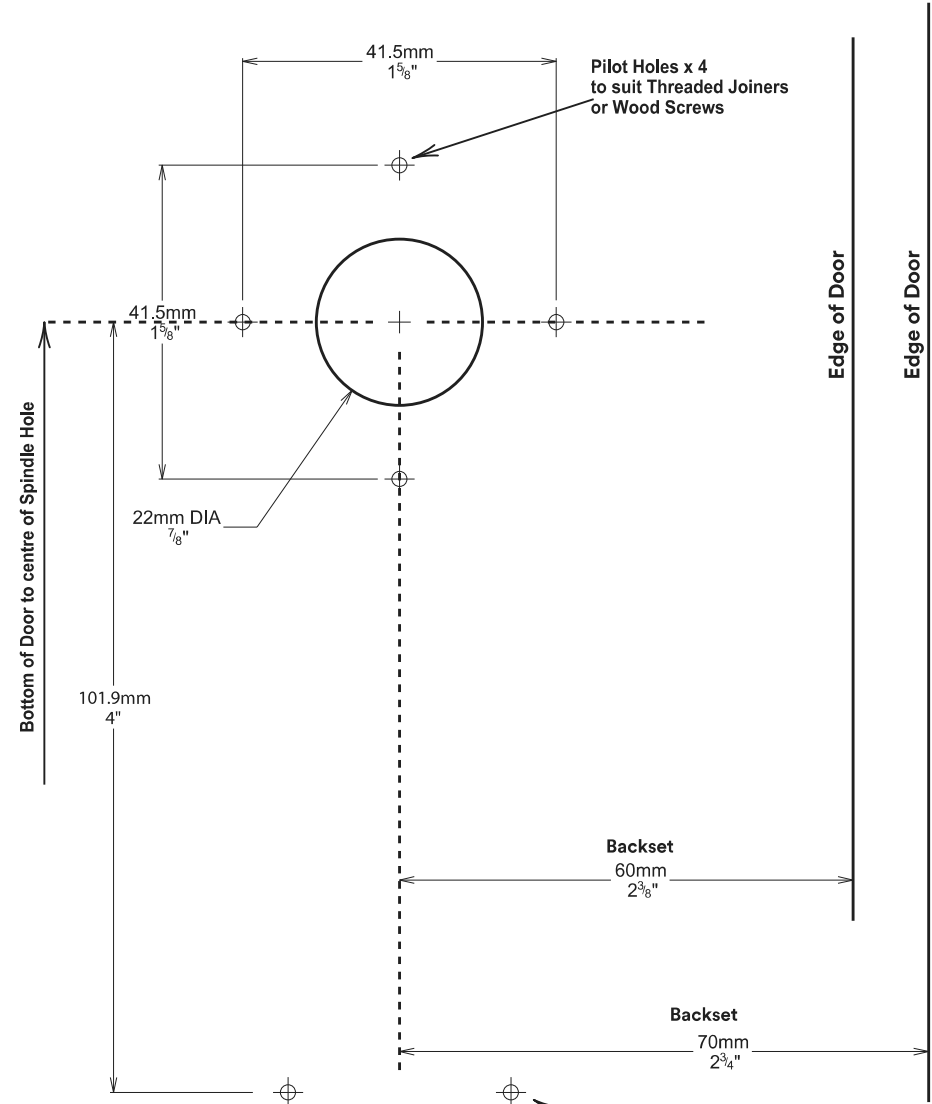
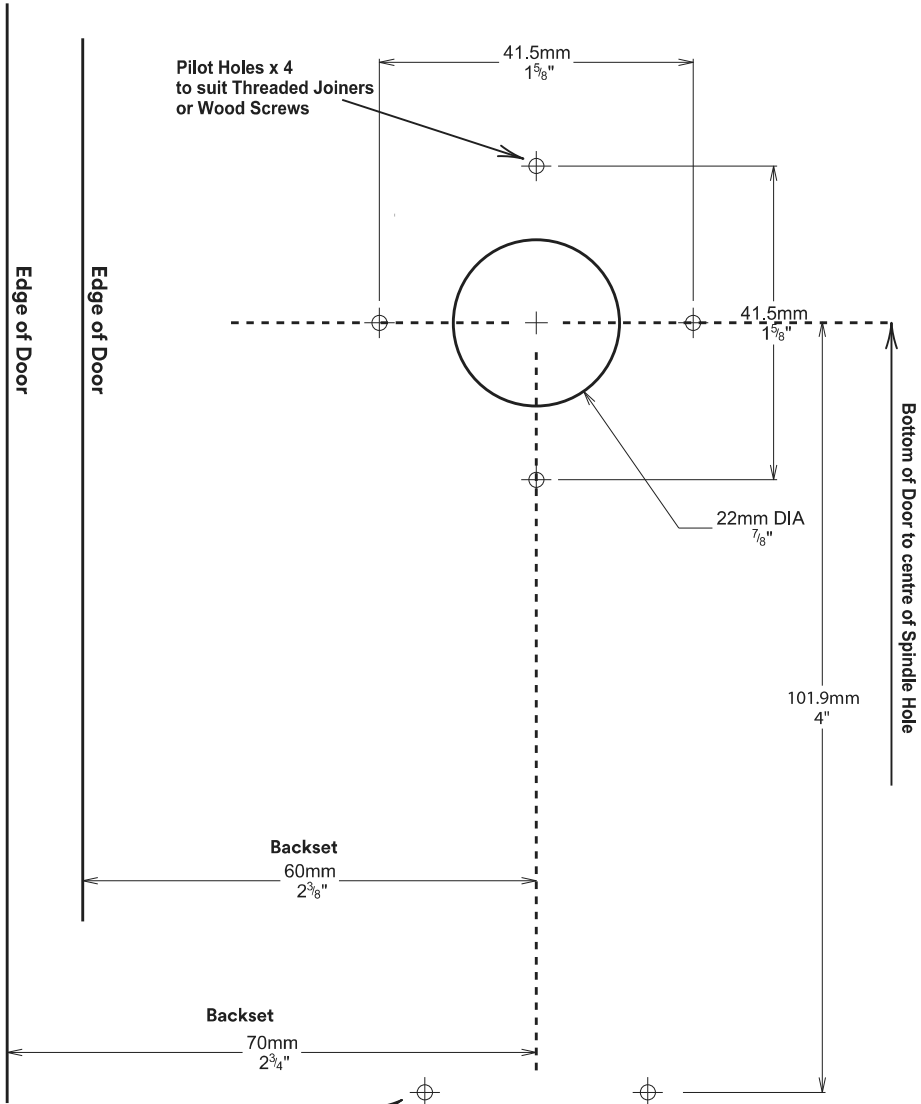
Please note that screws require pre-drilling.
Please take extra care when fitting.

IMPORTANT:

Please install this hardware in the following order to ensure its warranty is not voided.

1. Install the hardware on raw/unfinished door using the instructions provided.
2. Remove hardware (where possible) and store safely. Do not place tape onto the hardware as this will damage the finish.
3. Paint / finish door.
4. Reinstall hardware.

H02 Knob High on Backplate Template

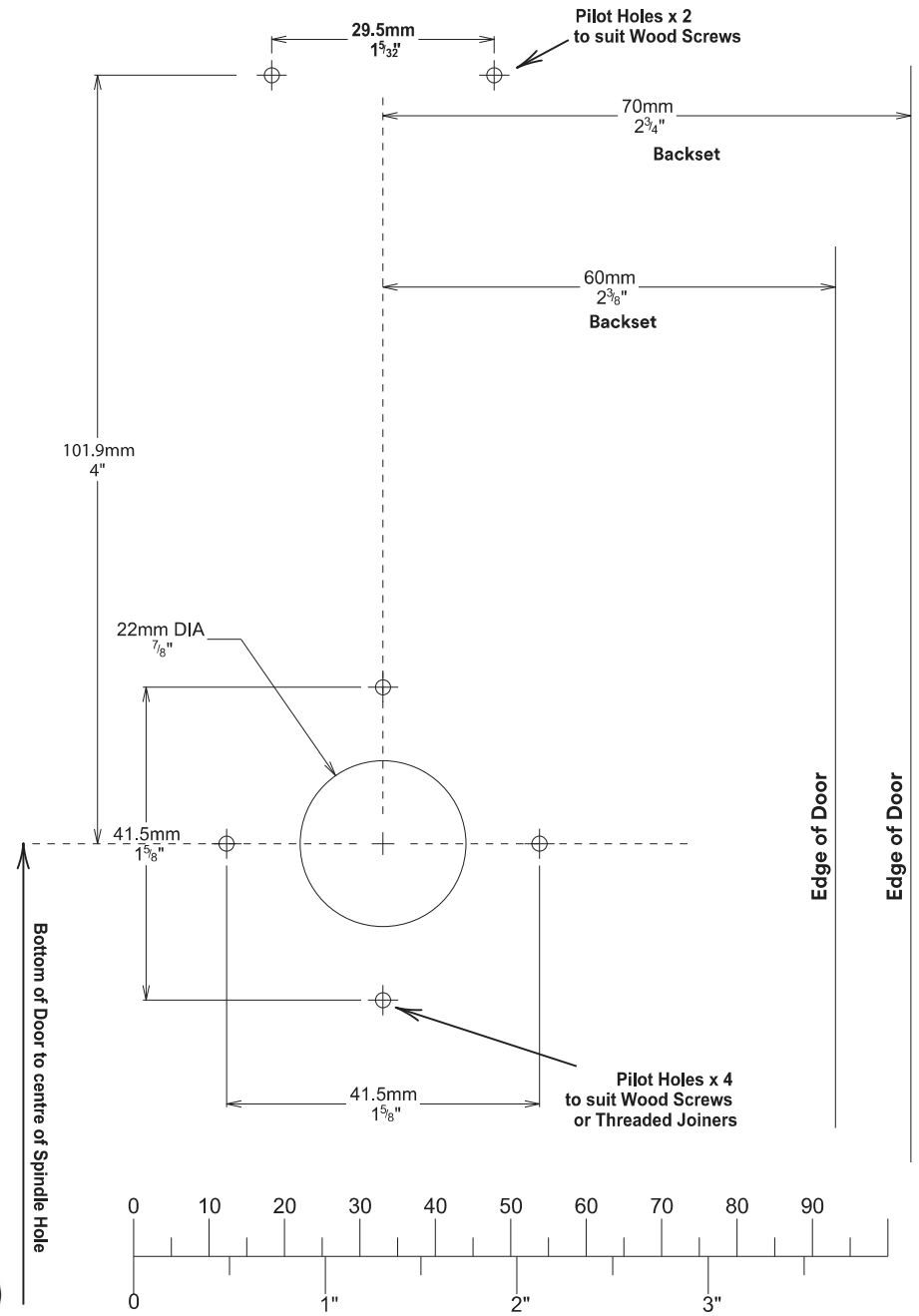
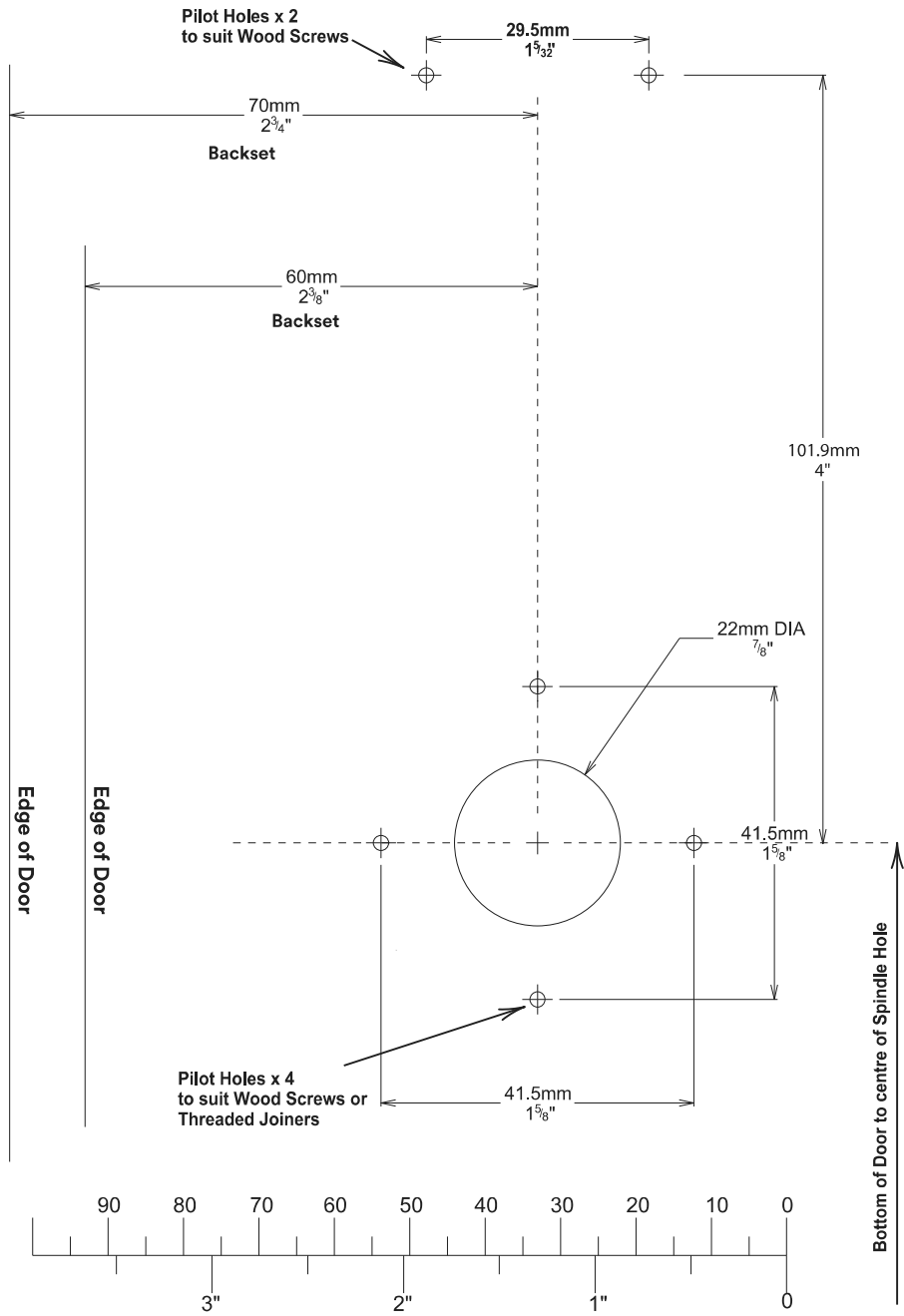


Scan for instructions

Civilian

Bankston

H02 Knob Low on Backplate Template



Scan for instructions

Check print is to scale