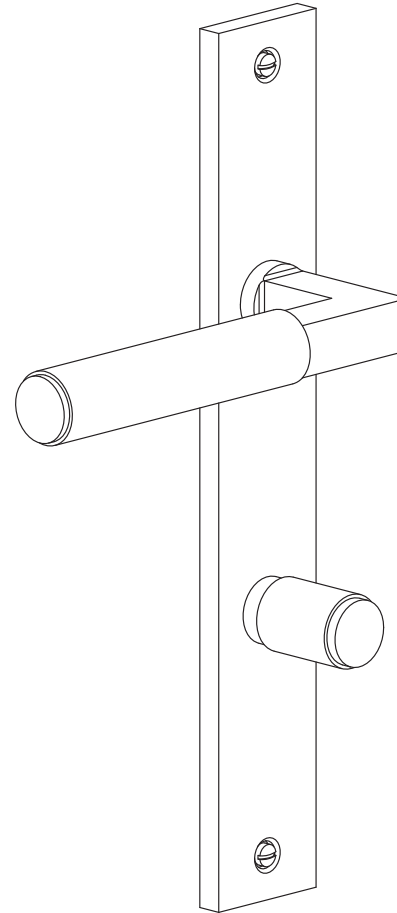


Install Instructions

Plate Privacy Set

BANKSTON



Scan for AU
Warranty



Scan for NZ
Warranty



Scan for
Product &
Finish Care
Information



*Image used for illustration purposes only.

Contact Us

Southern Design Group

Australia
14 - 16 Stepney Street,
Stepney, South Australia 5069
P: +61 (0)8 8362 1133
info@bankstonarchitectural.com.au
bankstonarchitectural.com.au

New Zealand
P: +64 (0)6 359 0008
info@bankstonarchitectural.co.nz
bankstonarchitectural.co.nz

SDG Trading Pty Ltd
trading as Bankston Architectural
ACN 008 154 041 | ABN 18 008 154 041



1. Marking the Door

- 1.1. Mark the edge of your door at the desired height of your handle.
- 1.2. We recommend around 900mm – 1100mm from floor level, or at the centre of a lock rail on a panel door. (Figure 1)
- 1.3. Using a spirit level, mark the door at the desired lever height, continuing the line from the front of the door, around the edge and onto the back of the door. (Figure 2)
- 1.4. We recommend extending the line 100mm onto each face of the door.

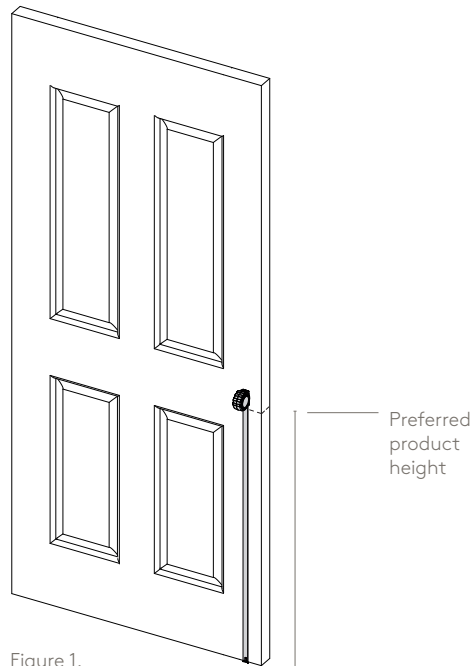


Figure 1.

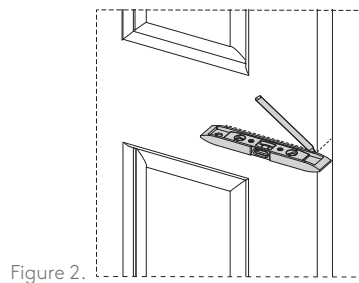


Figure 2.

2. Install Latch, Privacy Bolt & Striker Plate

As per supplier instructions.

3. Prepare Tie Bolts

— if using face fix timber screws, proceed to step 4

- 3.1. If required, shorten tie bolts to suit door thickness. (Figure 3.)

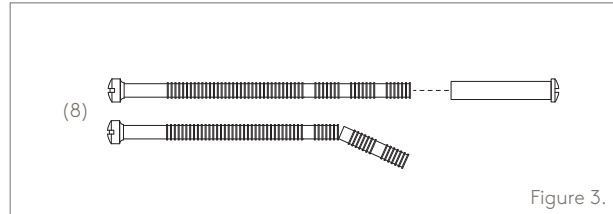


Figure 3.

- 3.2. Ensure to cut so that the screw does not protrude from the opposite rose once installed. (Figure 4.)

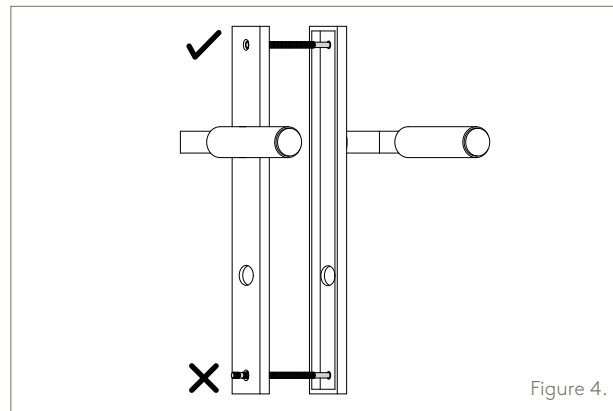


Figure 4.

4. Install Privacy Adaptor Snib Release

- 4.1. Slide spring over snib neck and place neck through hole in internal backplate. (Figure 5.)

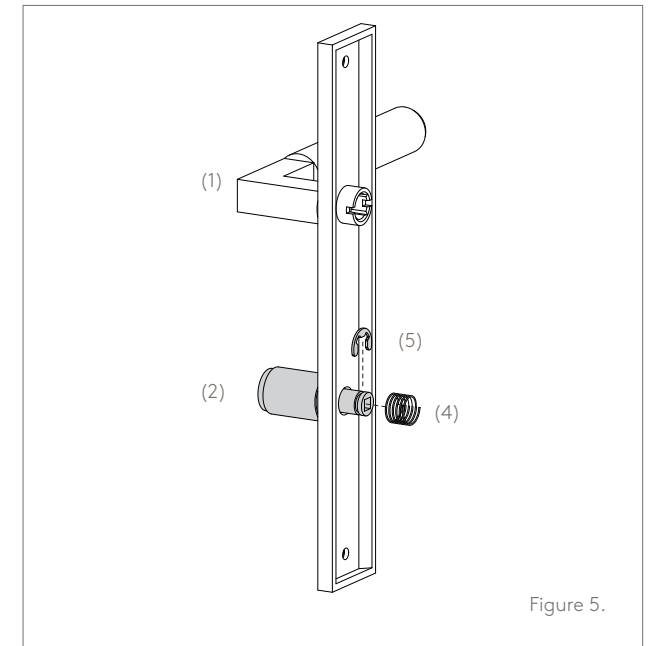


Figure 5.

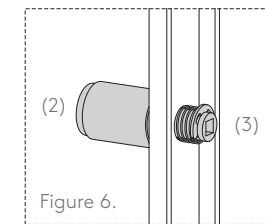


Figure 6.

- 4.2. Affix circlip to groove in snib neck on inside of backplate. (Figure 6.)
- 4.3. Repeat for security release on external-facing backplate.

PLEASE NOTE:

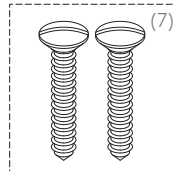
The screws provided with Bankston products are made from solid brass. This allows finishes to be matched as closely as possible and prevents the possibility of screws rusting in coastal areas. Please note that screws require pre-drilling.

Please take extra care when fitting.

5. Install Levers

- 5.1. Place the split spindles into the lock body from either side of the door*.
- 5.2. Place privacy spindle through privacy bolt follower.
- 5.3. Align the halves with the lever and privacy spindles on either side of the door. Push until flush with the door, ensuring the levers function in the correct direction.
- 5.4. Insert male tie bolts through top and bottom of back plate, **OR**
- 5.5. Affix wood screws at all fixing points.
- 5.6. Place the female sections in the opposite holes, lining them up with the male thread. (Figure 7.)
- 5.7. Secure loosely by hand, then use a screwdriver to hold the female section while tightening the male section with a second screwdriver.

* Regular spindle also provided



Wood Screws

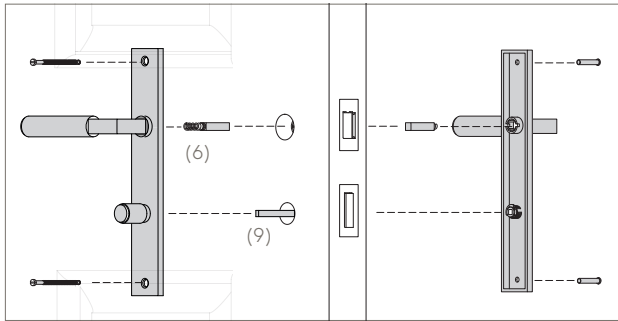
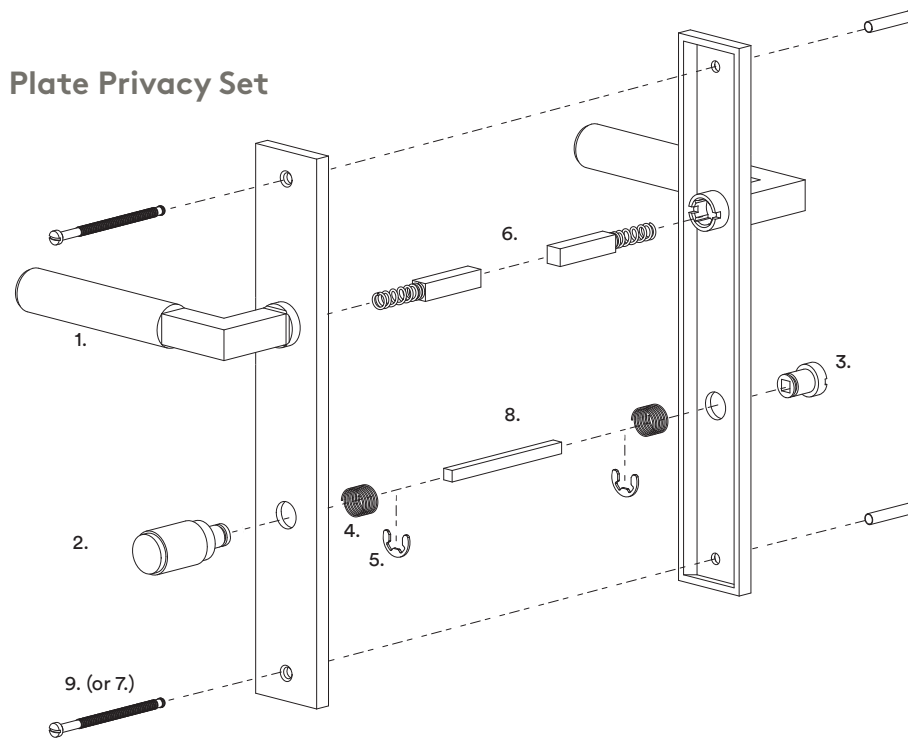
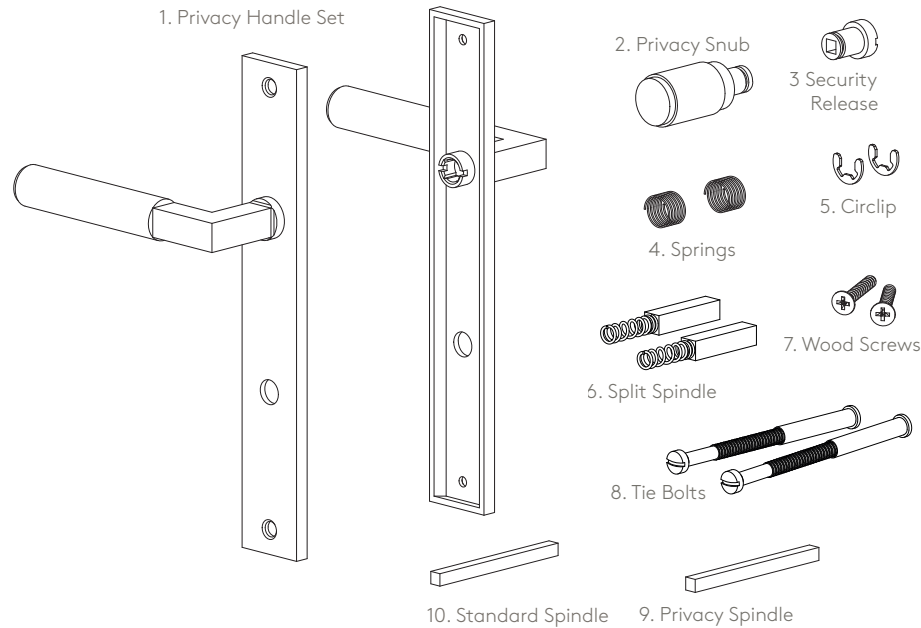


Figure 7.

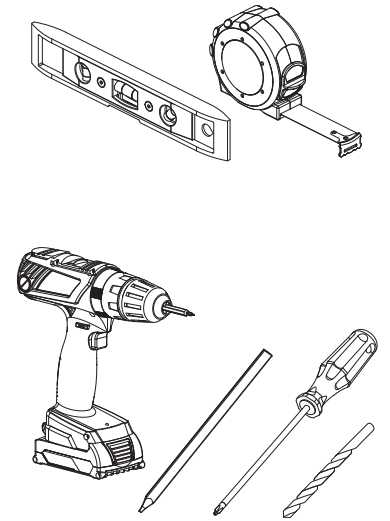
Plate Privacy Set



Included



Not Included



IMPORTANT:

Please install this door hardware in the following order to ensure its warranty is not voided.

1. Install the door hardware on raw/ unfinished door using the instructions provided.
2. Remove door hardware and store safely. Do not place painters tape or masking tape over the product. The tape will damage the finish.
3. Paint/ finish door.
4. Reinstall hardware.

