



BELLEVUE

ARCHITECTURAL

New Products

- BL060 - Externally Rated Magnetic Mortise Lock
- BL062 - Externally Rated Passage / WC Mortise Lock &
- BL015T - Sliding Door Latch with Integrated Finger Pull

Bonaiti & Bellevue Magnetic & Traditional Locks & Latches

The latest in European design and innovation
Bonaiti products 100% made in Italy



+61 3 9571 5666



www.bellevuearch.com.au



info@bellevuearch.com.au



[instagram.com/
bellevue_architectural](https://www.instagram.com/bellevue_architectural)

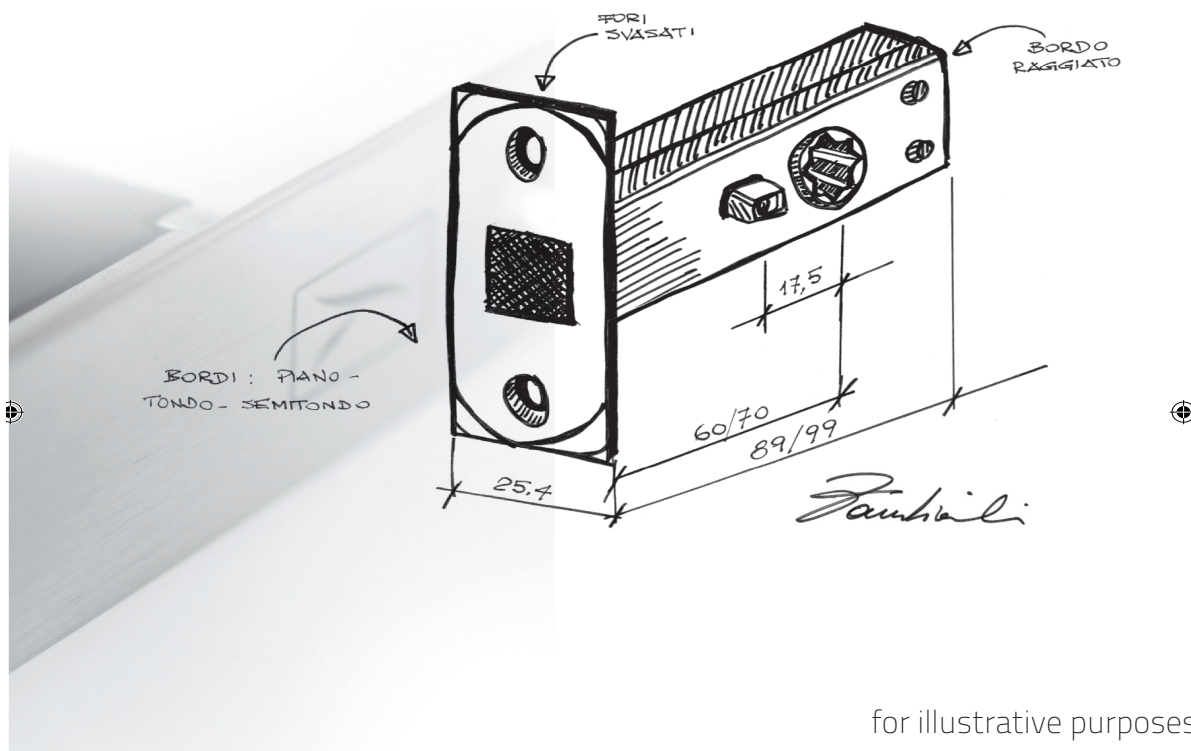
About Bonaiti

To talk about locks for wooden doors means first stepping back in time as far back as 1830 when Giuseppe & F.lli Bonaiti was founded in the small town of Lecco Italy, where area workshops produced the base metal used to create a series of components. The workshop gradually increased in size and manufactured fastenings, spring catches, bed warmers, chestnut roasting ovens, bed bases and the tubing used for headboards. In 1936, Bonaiti began to produce external application door locks.

At the beginning of the war he created a lock model fitted into the front of the door (an absolute novelty in those days) based on the British models patented at that time: hence the term "patented" which went on to become an everyday term to identify this type of lock.

The workshop (which over the years was gradually transformed into a production company with a staff of 500 to meet demand in the 1990s), gave rise to a spin-off business that became Bonaiti Serrature. All stages from design and production through to distribution in Italy and throughout the world were based here. The aim was to concentrate financial and human resources, developing the technologies to further develop these products. At the start of the 21st century, production of magnetic locks began - a culmination of all the research and development of recent years.

The company premises now cover a surface area of 17,000 square metres, with the various production units occupying 8,000 square metres of covered area, from the raw materials warehouse to the finished products warehouse whose 4,800 cubic metres store the 4,000 products to be distributed to 1,500 customers in Italy and the rest of the world. In the production departments, 71 staff produce 15,000 locks per day on 12 automated production lines that allow full control of operations and automatic packaging of every single product. It should be emphasised that all lock components use non-polluting materials and the production cycle is pollution-free, which has led to strong recognition of the company as eco-compatible.



for illustrative purposes only

Magnetic Tube Latches

- BL001 - Magnetic passage tube latch Pg. 5
 BL002 - Magnetic privacy tube latch Pg. 7

Magnetic Handle-Free Latches

- BL004 - Magnetic handle-free passage latch Pg. 9
 BL005 - Magnetic handle-free privacy latch Pg. 9

Glass Patch Plate with Magnetic Lock / Latches

- BL006 - Glass patch plate with magnetic passage latch Pg. 11
 BL007 - Glass patch plate with magnetic privacy latch Pg. 11
 BL008 - Glass patch plate with magnetic cylinder lock Pg. 11
 BL009 - Glass patch plate receiver for inactive glass door leaf Pg. 11

Full Body Magnetic Locks

- BL010 - Magnetic cylinder lock for internal use 50mm B/S Pg. 13
 BL011 - Magnetic privacy lock for internal use 50mm B/S Pg. 13
 BL014 - Magnetic narrow style cylinder Lock 25mm B/S Pg. 13
 BL060 - Magnetic cylinder lock for **Exsternal** use 60mm B/S **New for 2021** Pg. 15
 BL062 - Magnetic privacy lock for **Exsternal** use 60mm B/S **New for 2021** Pg. 15

Sliding Door Locks

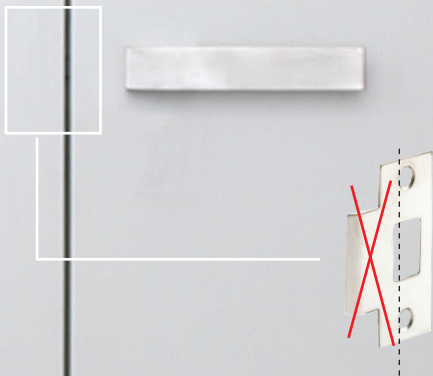
- BL015 - Sliding Door Lock Pg. 21
 BL05T - Sliding Door Lock with Intergrated Finger Pull **New for 2021** Pg. 21

Traditional Locks and Latches

- Australian style mortice locks & cylinders Pg. 21
 Magnetic latch & accessories Pg. 21
 European style mortice locks & cylinders Pg. 22

Pool Latches

- For hinges and sliding doors Pg.23



no visible striker plate
= clean & simple lines

Olivari Total M207S1 with BL001T 60mm backset magnetic passage latch

BL001 | Bonaiti Magnetic Passage Latch

Designed to provide a seamless door to wall environment

In 2008, Bellevue Architectural released Bonaiti of Italy's range of magnetic locks and latches into the Australian & New Zealand markets with incredible success, which we still enjoy today. Bonaiti magnetic latches are an ideal solution for any project where clean simple minimalistic design & quality is fundamental.

BL001 Overview: The BL001 magnetic tubular passage latch represents the next leap forward in door latching hardware. Specifically designed to provide a clean look between the door and its jamb by not using a visible striker plate. An added feature is when the door is open there is no protruding latch tongue when the door is open.

The BL001 is a real and cost effective alternative to traditional tubular latching mechanisms. It is the ideal latch for any project where design and quality is fundamental.

Aesthetics: There is no visible striker plate when the door is closed, as a result you have a clean door & jamb. When the door is open, there is no unsightly latch tongue protruding from the edge of the door to catch your clothes on - a clean look.

Functionality: It works in the same way that any standard swinging door latch would, pull down on the lever and pull or push the door. Its incredibly quiet as well.

No Protrusion: There is no chance of catching clothes or arms on protruding latch tongues & striker plates as they do not exist with the BL001.

Wide Door Jamb: No need to custom make a visible unsightly, costly striker plate for wide door jambs. The BL001 latch only engages when the door is in the closed position.

Reliability: *Massive Australian & New Zealand install base.* Tested to over 400,000 cycles - totally reliable. Over 10 years of in market product experience built into every unit. Made 100% in Italy.

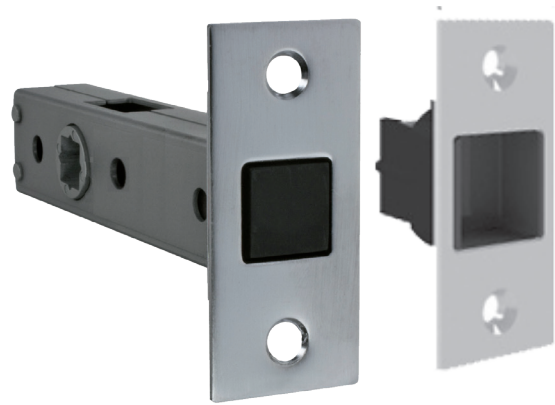
Finish: A wide range of finishes available including satin chrome, polished chrome, polished brass, bronze, black and white.

Rebated Doors & Steel Frames: Using the BL003 rebate kit allows you to use the magnetic latch on standard timber rebated doors. For steel frame jambs, you can use the BL003A Steel frame receiver cup.

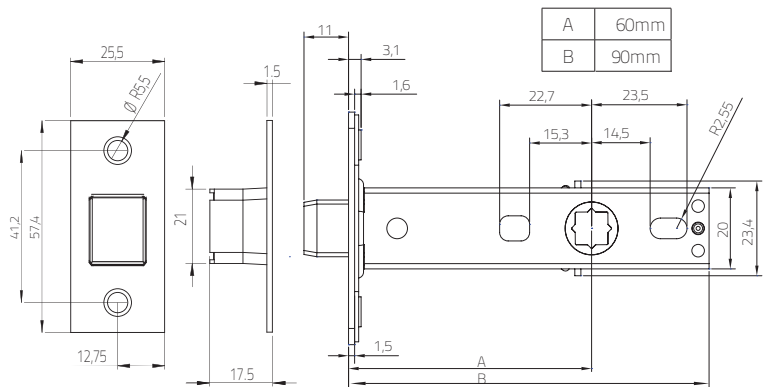
Tie Through Handle Compatibility: The BL001 has been specifically designed to cater for all industry standard bolt through door furniture. Holes exist to the left and right of the hub for the tie through bolts.

30° Turn Version: Use the BL001T range if your lever sets require the latch to turn no more than 30° due to its spring construction, if you want a short throw.

NO VISIBLE STRIKER PLATE, NO PROTRUDING LATCH TONGUE. CLEAN & SIMPLE LINES. 100% MADE IN ITALY.



Massive worldwide install base including Australia and New Zealand. Now, new finishes including Black & White



Magnetic Latch specification Codes

BL001 finish - Magnetic passage latch 60mm back set
 BL001T finish - 30° turn magnetic tube latch 60mm back set

Finish Guide:

SC= Satin Chrome CR = Polished Chrome
 PB = Polished Brass BZ = Bronze
 BLK = Black WH = White

Options

BL003 - Rebate kit to suit BL001, BL001T & BL002
 BL003A - Metal jamb receiver cup to suit BL001, BL001T & BL002

Quick Facts	
Compatibility	Standard Australian, European door hardware
Reliability	Tested to over 400,000 cycles
Spindle Size	8mm
Back Set (A) Hub	60mm
Visible Striker Plate	No
Visible Latch Tongue	No
Tongue Action Noise	Silent
Place of Manufacture	Italy
Guarantee	2 years manufacturer's



privacy button

no protruding latch tongue
to catch your clothes on:
practical and convenient

Olivari Novella M165R1 on BL002 60mm backset magnetic privacy latch

BL002 | Bonaiti Magnetic Privacy Latch

Designed to provide a seamless door to wall environment

In 2008, Bellevue Architectural released Bonaiti of Italy's range of magnetic locks and latches into the Australian & New Zealand markets with incredible success, which we still enjoy today. Bonaiti magnetic privacy latches are an ideal solution for any project where clean simple design & quality is fundamental.

BL002 Overview: The BL002 conveniently *Integrates* the privacy and latching function for those doors such as bathrooms or WC's where you don't want to use a separate privacy turn snib and emergency release.

With the BL002, its all built into the one unit. This makes the BL002 extremely cost effective whilst still offering all the advantages of the Bonaiti magnetic latch range.

Functionality: Close the door and push the privacy button. The outside handle is now inoperable, giving you the privacy you require. The inside lever is always active. To open, simply pull down on the internal handle, the button pops out as you open the door. The outside handle is now active for the next person to use.

In the case of an emergency, push a thin nail through the hole on the outside rose, instantly unlocking the outside lever.

Aesthetics: There is no visible striker plate when the door is closed, as a result you have a clean door & jamb. When the door is open, there is no unsightly latch tongue protruding from the edge of the door to catch your clothes on - a clean look.

No Protrusion: There is no chance of catching clothes or arms on protruding latch tongues & striker plates as they do not exist with the BL002.

Wide Door Jamb: No need to custom make a visible unsightly, costly striker plate for wide door jambs. The BL002 latch only engages when the door is in the closed position.

Reliability: *Massive Australian & New Zealand install base.* Tested to over 400,000 cycles - totally reliable. Over 10 years of in market product experience built into every unit. Made 100% in Italy.

Finish: A wide range of finishes available including satin chrome, polished chrome, polished brass, bronze, black and white.

Rebated Doors & Steel Frames: Using the BL003 rebate kit allows you to use the magnetic latch on standard timber rebated doors. For steel frame jambs, you can use the BL003A Steel frame receiver cup.

Tie Through Handle Compatibility: The BL002 has been specifically designed to cater for all industry standard bolt through door furniture. Holes exist to the left and right of the hub for the tie through bolts.

Magnetic Latch specification Codes
 BL002(finish) - Magnetic privacy latch 60mm back set

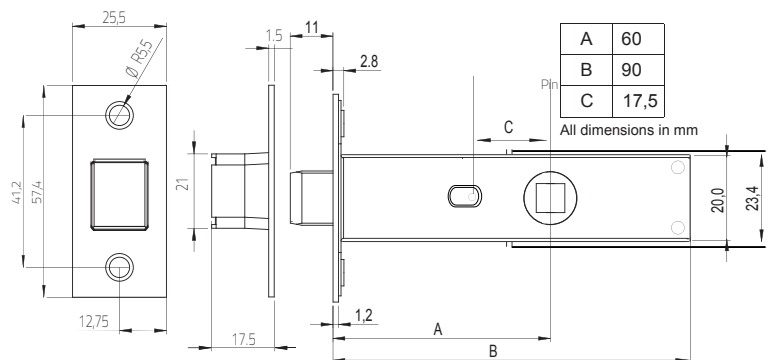
Finish Guide:
 SC= Satin Chrome CR = Bright Chrome
 PB = Polished Brass BZ = Bronze
 BLK = Black WH = White

Options
 BL003 - Rebate kit to suit BL001, BL001T & BL002
 BL003A - Metal jamb receiver cup to suit BL001, BL001T & BL002

NO VISIBLE STRIKER PLATE, NO PROTRUDING LATCH TONGUE. CLEAN & SIMPLE LINES



Massive worldwide install base including Australia and New Zealand. Now new finishes including Black & White



Quick Facts	
Compatibility	Standard Australian, European door hardware
Reliability	Tested to over 400,000 cycles
Spindle Size	8mm
Back Set Hub	60mm
Visible Striker Plate	No
Visible Latch Tongue	No
Tongue Action Noise	Silent
Place of Manufacture	Italy
Guarantee	2 years manufacturer's



The first magnetic latch
without visible door hardware
for hinged doors

BL004 Handle-free magnetic passage latch

BL004 & BL005 | Bonaiti Magnetic Handle-Free Latch

Designed to provide a seamless door to wall environment

Overview: The new patented magnetic handle free latch (BL004/BL005Mini) for passage swing doors by No-Ha of Belgium & Bonaiti of Italy opens a new era in clean & practical design. It means walls no longer need to be visually interrupted by the traditional protruding door handle. The formal architectural composition of a wall can now continue without interruption, creating an aesthetically appealing appearance that is truly clean and elegant.

Designed to be used for internal passage doors where a smooth surface is envisaged between the wall surrounding the door itself, it allows a door to be opened and closed simply and cleanly. An added benefit is the lack of an unsightly latch tongue & striker plate to catch clothes on. A unique and completely handle-free door represents the most minimalistic look one can achieve.

Aesthetics: No visible door handle; a complete smooth wall surface. No visible striker plate when the door is closed. As a result you have a clean door & jamb. When open, there is no unsightly latch tongue protruding from the edge of the door; a clean look.

Functionality: To open the door, simply push the flap in and pull or push the door open. Push or pull the door shut again and the magnetic latch will self-engage once the magnetism of both the latch and striker meet.

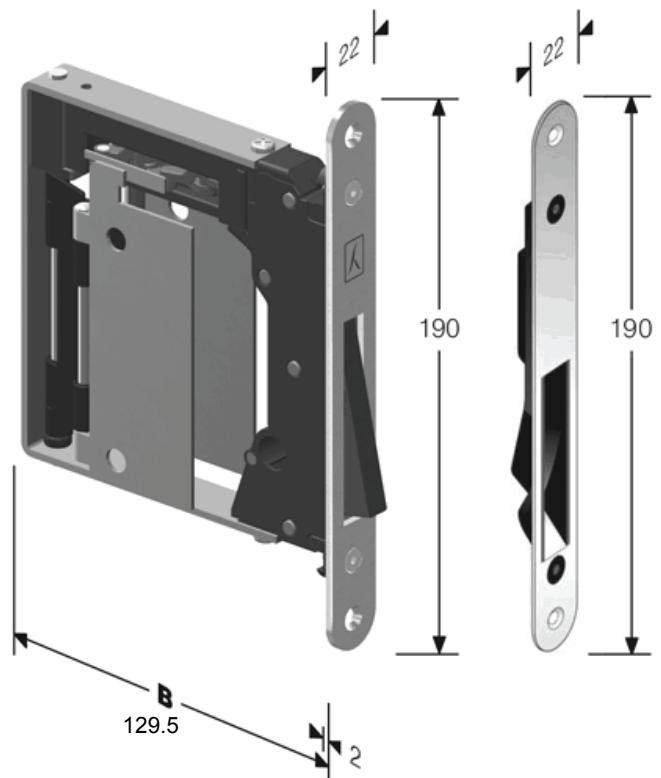
No Protrusion: There is no chance of catching clothes or arms on protruding latch tongues & striker plates as they do not exist with the BL004/BL005.

Wide Door Jamb: No need to custom make a visible unsightly, costly striker plate for wide door jambs. The BL004/BL005 latch only engages when the door is in the closed position.

Reliability: *Massive Australian & New Zealand install base.* Tested to over 400,000 cycles - totally reliable. Over 10 years of in market product experience built into every unit. Made 100% in Italy.

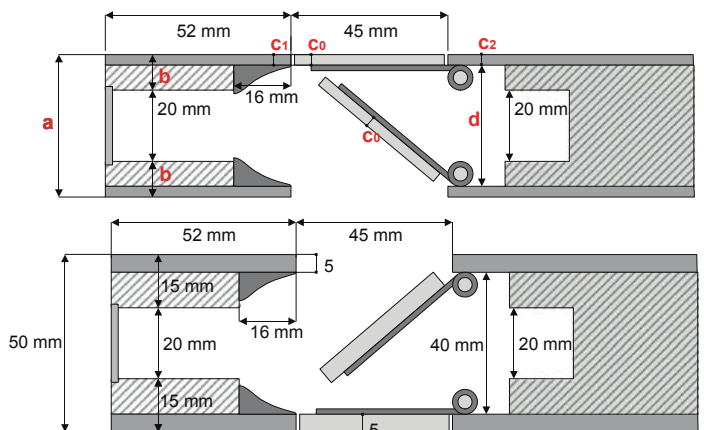
THE FIRST HANDLE FREE
MAGNETIC LATCH FOR SWING
DOORS

Massive worldwide install base including
Australia and New Zealand.



Designed to be used for internal passage or privacy swing doors where a door needs to blend into the wall without handles or striker plates. Minimum door thickness 36mm

a	b =1/2(a-20)	c0	C1	C2 = c0	d = a-(2xc2)
36 mm	8 mm	3 mm	3 mm	3 mm	30 mm
38 mm	9 mm	3 mm	3 mm	3 mm	32 mm
40 mm	10 mm	3 mm	3 mm	3 mm	34 mm
42 mm	11 mm	3 mm	3 mm	3 mm	36 mm
44 mm	12 mm	3 mm	3 mm	3 mm	38 mm
46 mm	13 mm	3 mm	3 mm	3 mm	40 mm
48 mm	14 mm	4 mm	4 mm	4 mm	40 mm
50 mm	15 mm	5 mm	5 mm	5 mm	40 mm



Handle-Free Magnetic Latch Order Codes

BL004(finish) - Handle-free magnetic passage latch
BL005 (finish) - Handle-free magnetic privacy latch
(Privacy snib & eRelease included)

Finish Guide:

SC= Satin Chrome CR = Polished Chrome

Options

BINKPM - Pre-cut MDF cover plate (Paddle)
BINKPA - Pre-cut Aluminium cover plate (Paddle)
BINKPS - Pre-cut Satin Stainless Steel cover plate (Paddle)
BINKPB - Pre-cut Bronze cover plate (Paddle)
BIZ44R - Custom Router Bit for easier installation (Rent)
BIZ44B - Custom Router Bit for easier installation (Buy)

No visible latch tongue
Clean and elegant



BL006 - 009 | Bonaiti Magnetic Glass Lock & Patch Plate

Designed to provide a seamless Glass door to wall environment

The magnetic lock/latch patch plate range for glass doors from Bonaiti of Italy is a revolutionary in design. Not only is the look classic and elegant, there is no visible striker plate when the door is closed. As a result you have a clean glass door & jamb. When the door is open, there is no unsightly latch tongue protruding from the edge of the door to catch your clothes on - a beautiful clean look.

BL006 Glass Patch Plate - Passage Doors

Suitable for glass doors where standard passage access is required. Used with your choice of lever hardware (supplied separately). The BL006 glass passage patch plate incorporates all the benefits of the complete Bonaiti range of magnetic locks and latches. - No visible striker plate, no protruding latch tongue and a smooth silent action suitable for single action or double action swing doors.

BL007 Glass Patch Plate - Privacy Doors

Suitable for privacy type doors where the added function of a turn snib and emergency release is required. Used with your choice of lever hardware (supplied separately). Ideal for WC type doors and office doors. - No visible striker plate, no protruding latch tongue and a smooth silent action suitable for single action or double action swing doors. (Lever & snib/ release sold separately)

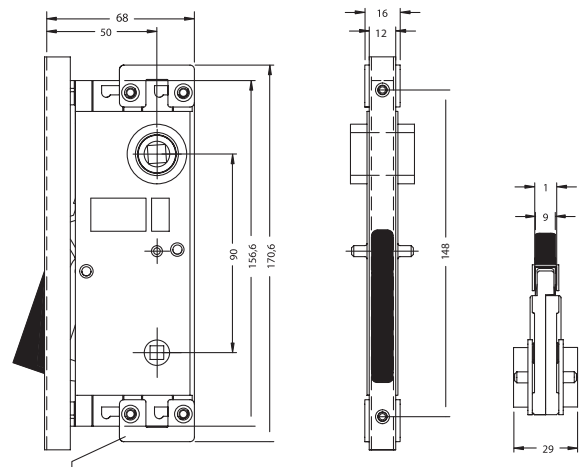
BL008 Glass Patch Plate - Lockable Doors

Suitable for glass door where a key lock is required. Used with your choice of lever hardware. The BL008 is suitable for use with a standard double euro key cylinder making the BL008 an ideal solution for office doors, bedroom doors and doors where general lock security is required. - No visible striker plate, no protruding latch tongue and a smooth silent action suitable for single action or double action swing doors. (Lever & snib/ release sold separately)

BL009 Glass Patch Plate - Door Receiver Strike

The BL009 is used in conjunction with the BL006, BL007 and BL008 patch plates. It is fitted to the secondary glass door leaf or fixed pane of glass that meets the active leaf, providing a receiver strike for the lock mechanism in the active glass door leaf.

THE FIRST MAGNETIC GLASS PATCH PLATES



Quick Facts	
Compatibility	Standard Australian, European & Asian door hardware
Reliability	Tested to over 400,000 cycles
Glass Thickness	8-12mm
Back Set	50mm
Visible Striker Plate	No
Visible Latch Tongue	No
Tongue Action Noise	Silent
Place of Manufacture	Italy
Guarantee	2 years manufacturer's

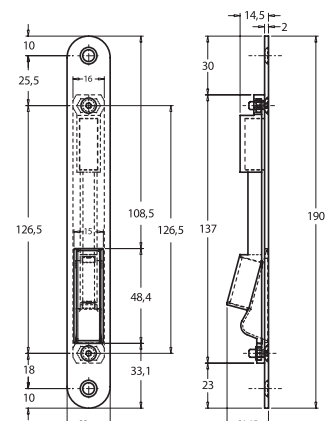
Magnetic Patch Plate Lock / Latch specification Codes

- BL006 finish - Passage Kit - Patch Plate & latch
- BL007 finish - Privacy Kit - Patch Plate & latch
- BL008 finish - Lock Kit - Patch Plate & Lock
- BL009 finish - Patch Plate receiver for 2nd glass door leaf

Finish Guide:

- SC= Satin Chrome
- CR = Polished Chrome
- PB = Polished Brass
- PC = Powder Coat

Note: Lever set, Privacy Snib & eRelease and/or Cylinders are not included in kits.





Magnetic Locking & Latching mechanism in the one unit.

LOCKING AND MAGNETIC
LATCHING MECHANISM IN
ONE UNIT WITH A DOUBLE
THROW DEADBOLT





BL060, BL062 | Bonaiti Magnetic Locks

Externally rated magnetic full body mortise lock

The BL060 & BL062 "High Security Magnetic Mortise lock" range is revolutionary due to the combination of magnetic and traditional locking/latching technology. No longer must we see and catch ourselves on a protruding latch tongue and protruding striker plate (jamb side). The magnetic latch tongue is only extended once the door is in the closed position and the striker is only seen when the door is open.

By incorporating traditional locking technology, we can securely lock the door using the double throw steel dead bolt (BL060). The latching and locking mechanism are incorporated into the strong steel constructed body.

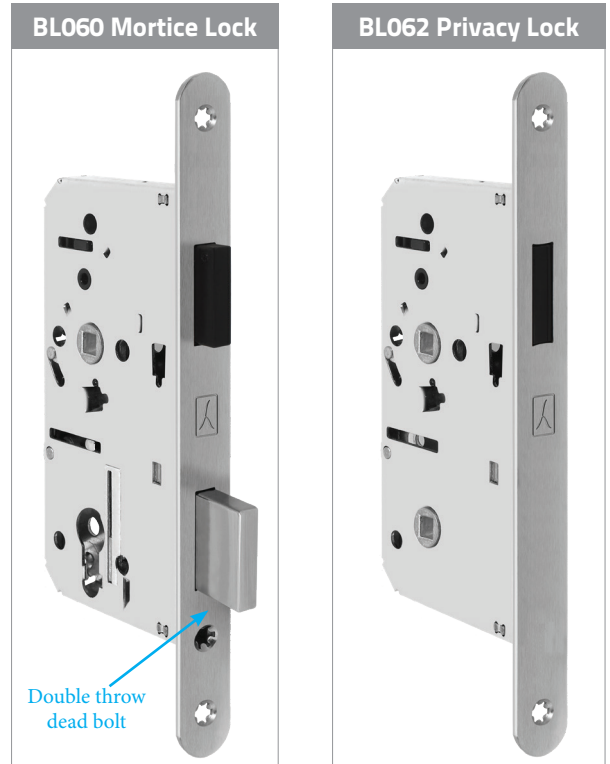
Specifically designed and manufactured to provide the highest levels of security for residential and commercial projects alike, the BL060 & BL062 are ideal for external and internal doors that require mid to high levels of security i.e. residential entry and perimeter doors, office and study doors etc. Extensively used throughout Europe, these locks have been warmly received in Australia and New Zealand with an extensive install base.

BL060 magnetic cylinder lock

Ideal for doors that would use a key lock. Capable of using all industry standard European cylinders. BL060 is a 60mm back set mortise lock with provision to cater for door hardware that uses normal tie through bolts.

BL062 magnetic passage or privacy lock

Use the BL062 as a passage latch or privacy lock with a separate privacy turn and eRelease. Ideal for a WC type doors vs. using a key for privacy.



Protruding latch tongue and striker plate & aesthetics

There is no visible striker plate when the door is closed. As a result you have a clean door & jamb. When the door is open, there is no unsightly latch tongue protruding from the edge of the door to catch your clothes on as they do not exist with the BL060 & BL062 - You achieve a clean look and feel.

Functionality

To open the door, all you do is pull the lever down as per any standard lock or latch. To unlock the door, use either the key or the turn snib.

Wide door jambs

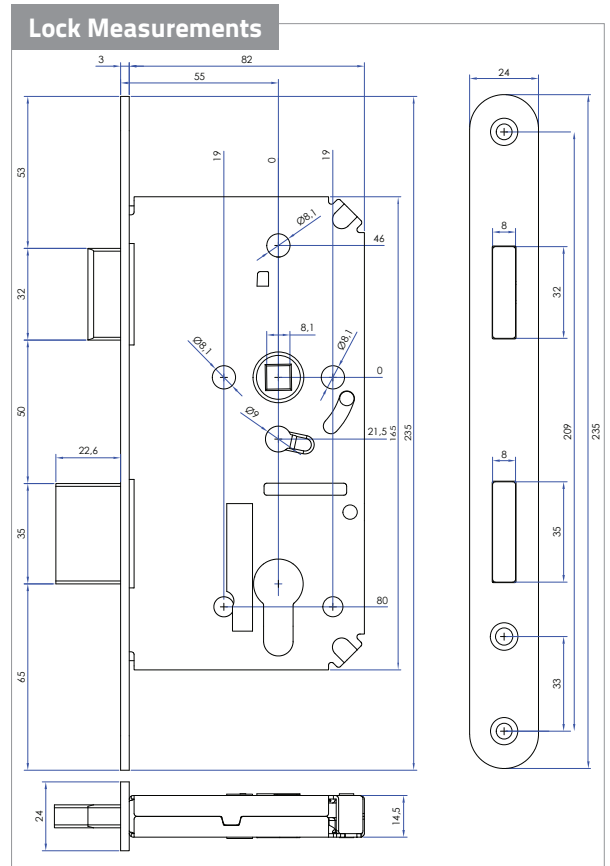
There is now no longer any need for wide, custom made striker plates. The tongue only engages when the magnetism of both the latch and striker meet when the door is in the closed position.

Reliability

Because the tongue engages due to the magnetic attraction to the cup in the striker plate on the jamb (and not due to moving and mechanical parts) there is significantly less that can go wrong during continuous or day to day operation. Tested to over 400,000 cycles.

Heavy duty internal spring

The inbuilt heavy duty spring makes the BL060 & BL062 ideal for long term use with unsprung or poorly sprung lever sets. The heavy spring will ensure that handle does not droop over time and will always bounce back up.



Quick Facts	
Compatibility	Australian & NZ door hardware
Snib Compatibility	Snibs using 6mm square bar
Lock Hub	8mm (use solid 8mm spindle)
Back Set	60mm
Double Throw Dead Bolt	Yes (BL060)
Rated for External Use	Yes
Visible Latch & Striker	No
Tongue Action Noise	Silent
Rebate Kit	Yes
Guarantee	2 years, 100% Made in Italy

Magnetic Lock Ordering Codes

BL060 (finish) - Magnetic cylinder lock 60mm back set
BL062 (finish) - Magnetic privacy lock 60mm back set
BL060REB (finish) - Rebate Kit to suit BL060 & BL062 locks

Finish Guide:

SS = Satin Stainless PB = Polished Brass
PS = Polished Stainless BLK = Matt Black BZ = Bronze by Request



Lever Set: Olivari Trend M228521S



Lever Set: Olivari Trend M228521S





Lever Set: Olivari Total M207521S



Australian Style Mortice Locks, Cylinders & Accessories

AVL23

Australian Narrow Body Vestibule Mortice Lock

available finishes:

- SS satin stainless
- PS polished stainless
- PB polished brass
- PC powder coat
- EMB electro matt black

specification codes

- AVL23 - finish
- AVL23REB - rebate kit

Multi function vestibule mortice lock used in timber or aluminium framed doors. Features a narrow body in order to fit into an aluminium framed door or narrow timber framed door such as those used in French Doors.

Suitable for commercial & residential projects



AVL60

Australian Vestibule Fire Rate Mortice Lock

available finishes:

- SS satin stainless
- PS polished stainless
- PB polished brass
- PC powder coat
- EMB electro matt black

specification codes

- AVL60 - finish
- AVL60REB - rebate kit

Multi function vestibule mortice lock, fire rated with escape function and multi locking scenarios i.e. locked on out side free on inside.

Suitable for commercial & residential projects.



ES2000 / ES110

Electric strike.

Used to open a door or gate remotely i.e. from a kitchen or reception area.

Suitable for commercial & residential projects

specification codes

- ES2000M - Monitored
- ES110N - Non-Monitored



ASC

Six Pin Cylinder

Single cylinder suitable for Australian mortice locks

available finishes:

- SC satin chrome
- CR polished chrome
- PB polished brass
- PC powder coat
- EMB matt black

Suitable for commercial & residential projects

specification codes

- ASC - finish



Magnetic Latch & Accessories & Sliding Door Latch

BL003

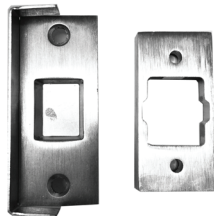
Rebate Kit

Used for Magnetic Latch BL001 & BL002 when installed in double doors that are rebated.

Suitable for commercial & residential projects

specification codes

- BL003 - SC, CR



BL001 / BL002

Magnetic Passage Latch - 60mm back set

Used with a lever set for a passage or privacy door to latch the door in the closed position.

Suitable for commercial & residential projects

specification codes

- BL001 - SC, CR, PB, BLK, PC
- BL002 - SC, CR, PB, BLK, PC



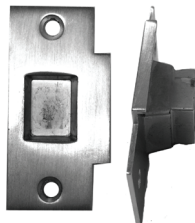
BL003A

Steel Jamb Striker

Used for Magnetic Latch BL001 & BL002 when the Jamb is a steel section.

specification codes

- BL003A - SC,



PTB

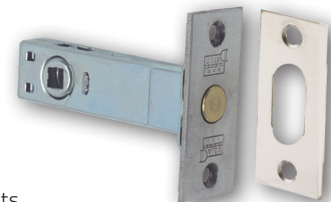
Privacy throw bolt - 60mm back set Square or Flat Bar Hub

Used on a WC type doors with a turn snib and emergency to provide privacy.

Suitable for commercial & residential projects

specification codes

- PTB (F/S) - SC, CR, PB, BLK, PC



BL015

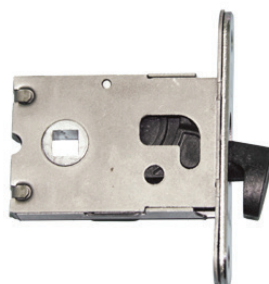
WC Privacy Sliding Door Lock.

Used in sliding doors with privacy flush pulls

Suitable for commercial & residential projects

specification codes

- BL015 - SC, CR, PB, BLK, PC



BL015T

WC Privacy Sliding Door Lock with Integrated Finger Pull.

Used in sliding doors with privacy flush pulls

Suitable for commercial & residential projects

specification codes

- BL015T - SC, CR, PB, BLK, PC



European Style Mortice Locks, Cylinders & Accessories



ELB

European Long Body Mortice Lock

available finishes:

- SS satin stainless
- PS polished stainless
- PB polished brass
- PC powder coat
- EMB electro matt black

specification codes

- ELB60 - 60mm back Set
Body: 174 x 87 x 16, C2C 85
Face Plate: 238 x 25 x 4.5
- ELB45 - 45mm Back Set
Body: 170 x 70 x 16, C2C 85)
Face Plate: 238 x 22 x 3

ELBREB - Rebate kit

Features a long body for a greater distance between the handle and the cylinder. Includes a double throw stainless steel dead bolt.

Suitable for residential projects.



ESB

European Short Body Mortice Lock

available finishes:

- SS satin stainless
- PS polished stainless
- PB polished brass
- PC powder coat
- EMB electro matt black

specification codes

- ESB60 - 60mm back Set
Body: 108 x 80 x 17.5, C2C 48.5
Face Plate: 165 x 25 x 4.5
- ESB45 - 45mm Back Set
Body: 108 x 80 x 17.5, C2C 48.5
Face Plate: 165 x 25 x 4.5

ELBREB - Rebate kit

45/60mm back set lock. Features a spring latch and double throw 20mm deadbolt for added security.

Suitable for residential projects.



PRL

Tri-function Mortice Roller Lock

available finishes:

- SS satin stainless
- PS polished stainless
- PC powder coat
- EMB electro matt black

specification codes

- PRL60R - 60mm back Set with round snib
- PRL60S - 60mm back Set with square snib
- PRL45R - 45mm Back Set with round snib
- PRL45S - 45mm Back Set with square snib

PRLREB (L/R) - Rebate kit

Multi function mortice roller lock. No need to leave a key in the cylinder to lock and unlock the door from the inside.

1. Party mode - come & go without lockout
2. Privacy mode - snib throws singlenbolt
3. Dead Bolt mode - separate double throw dead bolt via key cylinder

Choice of Olivari square or round snibs available

Round Snib: H107, H200
Square Snib: H136, H202



ENB

European Long Body Mortice Lock

available finishes:

- SS satin stainless
- PS polished stainless
- PB polished brass
- PC powder coat
- EMB electro matt black

specification codes

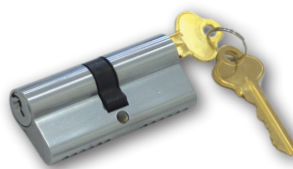
- ENB30 - 30mm Back Set
Body: 173 x 45 x 16, C2C 85
Face Plate: 238 x 22 x 3

ELBREB - Rebate kit

23 and 25mm back set also available.

Features a narrow body in order to fit into an aluminium framed door or narrow timber framed door such as those used in French Doors.

Suitable for residential projects.



EC1 - EC5

Five or Six Pin Cylinder suitable for European mortice locks

available finishes:

- SC satin chrome
- CR polished chrome
- PB polished brass
- PC powder coat
- BL matt black

specification codes

- EC1 - Euro Double Cylinder (70mm length)
- EC2 - Euro Single Cylinder
- EC3 - Euro Key/Turn Cylinder
- EC4 - Euro Turn/Release Cylinder
- EC5 - Euro single turn only

Door Suitability:

Used to self latch sliding WC timber doors.
Turn snib & release.

Available Finishes:

CR, SC
IB, IS, IBN, ISN, ISB
IA, ISC, ISBRZ
PBU, EMB, BRZ, PC

Specification Codes:

SD107R - Finish (round rose) (H107 Snib)
SD107S - Finish (square rose) (H107 Snib)
Includes sliding door latch

SD109R - Finish (round rose) (H200 Snib)
SD109S - Finish (square rose) (H200 Snib)
Includes sliding door latch

SD110R - Finish (round rose) (H202 Snib)
SD110S - Finish (square rose) (H202 Snib)
Includes sliding door latch



Pool Self latching Snib & Snib Sliding Door Kit
Olivari of Italy

Door Suitability:

Used to self latch sliding Pool timber doors.
Turn snib .

Available Finishes:

CR, SC
IB, IS, IBN, ISN, ISB
IA, ISC, ISBRZ
PBU, EMB, BRZ, PC

Specification Codes:

PH107SR - Finish (round rose) (H107 Snib)
PH107SS - Finish (square rose) (H107 Snib)
Includes sliding door latch

PH109SR - Finish (round rose) (H200 Snib)
PH109SS - Finish (square rose) (H200 Snib)
Includes sliding door latch

PH110SR - Finish (round rose) (H202 Snib)
PH110SS - Finish (square rose) (H202 Snib)
Includes sliding door latch



Pool Self latching Snib & Snib Swinging Door Kit
Olivari of Italy

Door Suitability:

Used to self latch swinging Pool timber doors.
Turn snib.

Available Finishes:

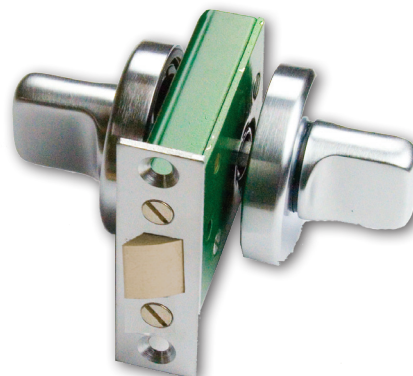
CR, SC
IB, IS, IBN, ISN, ISB
IA, ISC, ISBRZ
PBU, EMB, BRZ, PC


Specification Codes:

PH107LR - Finish (round rose) (H107 Snib)
PH107LS - Finish (square rose) (H107 Snib)
Includes sliding door latch

PH109LR - Finish (round rose) (H200 Snib))
PH109LS - Finish (square rose) (H200 Snib))
Includes sliding door latch

PH110LR - Finish (round rose) (H202 Snib)
PH110LS - Finish (square rose) (H202 Snib)
Includes sliding door latch





Bellevue Architectural
954 Glenhuntly Road
Caulfield South Victoria Australia 3162

Ph: 03 9571 5666
www.bellevuearch.com.au
info@bellevuearch.com.au

*Please note that all images in this document are used for illustrative purposes only.
Product specifications are subject to change without notice.

Bonaiti Lock & Latch Range: Catalogue 3/21