

Architectural Magnetic Latches by Bellevue A Touch of Italian Quality, Style & Elegance

Designed to be noticed....created to last.

B-Latch: designed and made by Bonaiti of Italy *Magnetic Power*

New for 2011

Tested to Over 400,000 Cycles - Total Reliability

BL004
*The first magnetic latch
without door handles*



BL001
*Magnetic latch with no
visible striker plate*



BL002
*Magnetic privacy latch with
no visible striker plate*



BL007
*The first magnetic lock
for glass doors*



The look of a closed door without a striker plate speaks volumes - *clean, sophisticated & elegant*

No Visible Striker Plate - Clean & Simple Lines



No Protruding Latch Tongue to Catch Your Clothes On: Practical and Convenient



Tested to 400,000 cycles

Magnetic Privacy Latch - Functional Data

Magnetic Privacy Latching Power BL002- Mag Privacy Latch

The new patented magnetic tubular privacy latch for WC type doors by Bonaiti of Italy is an extension on the world renowned magnetic tubular passage latch used in doors all over the world. Privacy tubular latches are fast becoming the most common latching devices used for residential and commercial WC type doors due to the integration of the latching and privacy mechanism into one small latch body. With an emergency release mechanism built in and a privacy button supplied, the magnetic tubular privacy latch for WC type doors is also fast becoming a standard.

The new magnetic tubular privacy latch compliments any bathroom, and has been created to achieve a clean, modern and designer environment while still offering the practical value of privacy and reliability in today's world.

Aesthetics:

With a magnetic latch, there is no visible striker plate when the door is closed. As a result you have a clean door & jamb. When the door is open, there is no unsightly latch tongue protruding from the edge of the door - a clean look.

Locking / Unlocking:

With a magnetic privacy latch, all you do is push the internal privacy button and the external lever handle is locked. To unlock, simply pull the internal lever down. In case of emergency, insert a nail or screwdriver into the external rose hole and push - the door is now unlocked

Protruding Latch Tongue & Striker Plate:

With a magnetic privacy tube latch, there is no chance of catching clothes or arms on protruding latch tongues & striker plates.

Pivot Doors:

A magnetic privacy latch is ideal for doors that swing in both directions due to the fact that the magnetic privacy latch is not handed; this means that it will latch no matter which direction the door swings in. Added to this is the lack of a visible striker plate. Traditional solutions require a visible unsightly custom-made striker plate to be mounted to both sides of the door jamb. Not with a magnetic privacy latch - you don't see it.

Noise:

With a magnetic privacy latch, the latching mechanism is completely silent due to it being magnetic. No latch tongue to hit the striker when closing or opening the door.

Wide Door Jambs:

With a magnetic privacy latch, there is no need for wide custom striker plates (due to the angle of the protruding latch tongue rubbing against the timber jamb before it hits the striker). The magnetic privacy latch tongue only engages when the magnetism of both the latch and striker meet.

Reliability:

With a magnetic privacy latch, because the tongue engages due to the magnetic attraction to the cup in the striker plate (not due to moving parts), it will, for all intents and purposes, never fail.

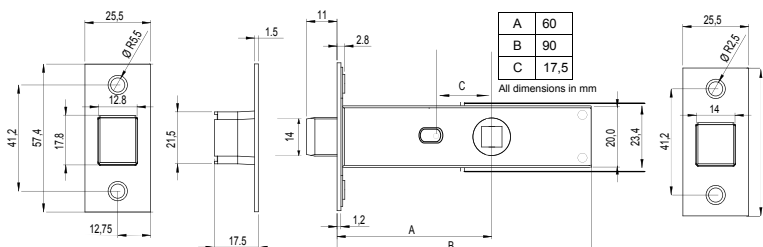
Compatible with standard Australian, European and Asian door hardware, the magnetic tubular privacy latch is an ideal latch for any project where design and quality is fundamental. The clean look of a door and jamb without a visible striker plate speaks volumes.

Magnetic Privacy Latch Quick Facts:

- Privacy button for locking of latch
- Emergency release hole for escape
- Suitable for all standard door hardware
- Includes 7.65 & 8mm split spindles
- **Ideal for a double action pivot door**
- Silent tongue action
- No visible striker plate when door is closed
- No visible latch tongue when door is open
- Suitable for wide door jambs - no need for customer striker plates
- Quick & simple Installation
- 60mm back set hub
- Manufactured in Italy and comes with a 2 Year Manufacturers Guarantee



BPLatch in Action:



Order Codes:

Patented Magnetic Tube Privacy Latch

- BL002CR - Polished Chrome
- BL002SC - Satin Chrome
- BL002PB - Polished Brass

Rebate Kit

- BL003CR - Polished Chrome
- BL003SR - Satin Chrome
- BL003PB - Polished Brass

The First Magnetic Latch Without Visible Door Hardware For Swing Doors



Min 40mm door thickness

Magnetic Handle Free Latch - Functional Data

The First Magnetic Latch Without Visible Door Hardware *BL004 & BL005*

The new patented magnetic handle free latch for passage swing doors by Bonaiti of Italy opens a new era in clean & practical design. It means walls no longer need to be visually interrupted by the traditional protruding door handle. The formal architectural composition of a wall can now continue without interruption, creating an aesthetically appealing appearance which is truly clean and elegant.

Designed to be used for internal passage doors where a smooth surface is envisaged between the wall surrounding the door and the door itself, the magnetic handle free latch for passage swing doors allows a door to be opened and closed simply and cleanly. An added benefit is the lack of an unsightly latch tongue & striker plate to catch clothes on. A unique and completely handle free door represents the most minimalistic look one can achieve.

Open / Close Functionality:

With the new handle free latch, to open the door, simply push the flap in and pull or push the door open. To close the door, simply push the door shut, the magnetic latch will self engage once the magnetism of both the latch and striker meet.

Pivot Doors:

The new handle free latch is ideal for doors that swing in both directions due to the fact that the latch is not handed; this means that it will latch no matter which direction the door swings in. Added to this is the lack of a visible striker plate. Traditional solutions require a visible unsightly custom-made striker plate to be mounted to both sides of the door jamb. Not with the magnetic latch - you don't see it.

Aesthetics:

With a handle free latch, there is no visible door handle - you have a complete smooth wall surface. With a handle free latch, there is no visible striker plate when the door is closed - as a result you have a clean door & jamb. When the door is open, there is no unsightly latch tongue protruding from the edge of the door, a clean look.

Protruding Striker Plate:

With a handle free latch, there is no chance of catching clothes or arms on protruding latch tongues & striker plates.

Noise:

With a handle free latch, the latching mechanism is completely silent due to it being magnetic. There is no latch tongue to hit the striker.

Wide Door Jamb:

With a handle free latch, the need for wide custom striker plates due to the tongue rubbing against the timber jamb before it hits the striker is no longer required due to the tongue only engaging when the magnetism of both the latch and striker meet.

Reliability:

With a handle free latch, because the tongue engages due to the magnetic attraction to the cup in the striker plate (not due to moving parts), it will, for all intents and purposes, never fail.

The magnetic handle free latch for passage swing doors is the ideal latch for any project where design and quality are fundamental. The clean look of a door and jamb without visible door hardware can transform the mundane into a visually stunning and totally unique appearance.

Adjustable Striker Plate:

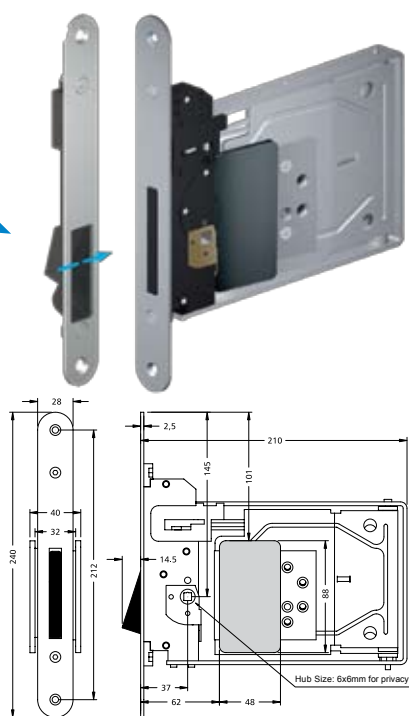
The striker plate offers an adjustment function of no less than 2 mm after installation using 2 grub screws: a perfect offset remedy when it becomes difficult to align door and jamb.

Handle Free Latch Quick Facts:

- Standard passage latch version
- Privacy version for locking of latch
- **Ideal for a double action pivot door**
- Silent tongue action
- Emergency release for escape
- No visible door hardware or rose
- No visible striker plate when door is closed
- Suitable for wide door jamb - no need for customer striker plates
- Smooth pull and push action
- Manufactured in Italy and comes with a 2 Year Manufacturers Guarantee

Order Codes:

- Patented Magnetic Handle Free Latch
- BL004CR - Polished Chrome (passage version)
 - BL004SC - Satin Chrome (passage version)
 - BL005CR - Polished Chrome (privacy version)
 - BL005SC - Satin Chrome (privacy version)



Privacy version with snib turn & release



Magnetic Glass Patch Plate Lock - Functional Data

Magnetic Glass - Lock **The First Magnetic Lock for Glass Doors Incorporated In Its Own Patch Plate.**

The patented magnetic glass lock by Bonaiti of Italy represents a world first in the locking of glass doors. Suitable for locking glass passage doors & glass WC type doors, the magnetic glass lock is incorporated in its own stylish patch plate and has been engineered to be used with any door hardware of choice: Australian, European or Asian.

Suitable for glass door 8-12mm thick with a 60mm back set for the handle, the magnetic glass lock is practical, stylish and functional. It incorporates all the benefits of the magnetic latch range: aesthetics (no protruding latch tongue & striker plates), no latch noise (when the tongue hits the door jamb) and no creation of custom and expensive striker plates (due to wide door jambs).

Today Bonaiti of Italy and Bellevue are proud to release to the Australian and New Zealand markets the new magnetic glass lock that addresses these and other issues, associated with traditional latch type solutions.

Aesthetics:

With a magnetic glass lock, there is no visible striker plate when the door is closed. As a result you have a clean door & jamb. When the door is open, there is no unsightly latch tongue protruding from the edge of the door - a clean look.

Opening & Closing:

With a magnetic glass lock, to open and close a door, all you do is pull the door lever down as you would any other latch type. If a privacy turn is also used, simply turn the snib when the door is closed.

Protruding Latch Tongue & Striker Plate:

With a magnetic glass lock, there is no chance of catching clothes or arms on protruding latch tongues & striker plates.

Noise:

With a magnetic glass lock, the latching mechanism is completely silent due to it being magnetic. No latch tongue to hit the striker when closing or opening the door.

Wide Door Jambs:

With a magnetic glass lock, there is no need for wide custom striker plates (due to the angle of the protruding latch tongue rubbing against the timber jamb before it hits the striker). The magnetic tube latch tongue only engages when the magnetism of both the latch and striker meet.

Reliability:

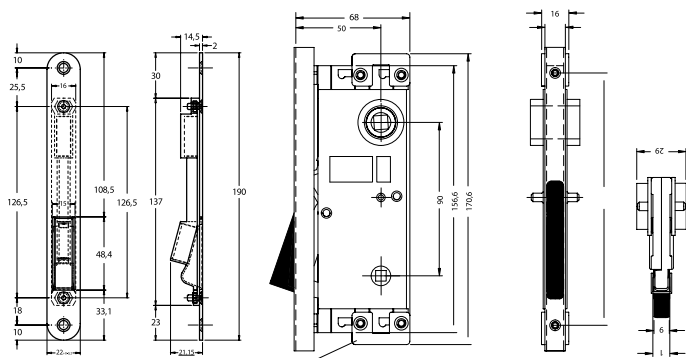
With magnetic glass lock, because the tongue engages due to the magnetic attraction to the cup in the striker plate (not due to moving parts), it will, for all intents and purposes, never fail.

Compatible with standard Australian, European and Asian door hardware, the magnetic glass lock is ideal for any internal glass doors where design and quality is fundamental. The clean look of a glass door and jamb without a visible striker plate speaks volumes.

MGLock Quick Facts:

- Patch plate suitable for 8-12mm glass
- Lockable passage & privacy versions available
- Suitable for all standard door hardware
- 60mm back set for lever
- **Ideal for a double action pivot door**
- Silent tongue action
- No visible striker plate when door is closed
- No visible latch tongue when door is open
- Quick & simple Installation
- No periodical greasing Required
- Available Finish: Chrome, Satin Chrome
- 60mm back set hub
- Manufactured in Italy and comes with a 2 Year Manufacturers Guarantee

Patch plate & lock kits are available complete with Olivari door hardware or without for use with alternative door hardware



Lock Model
Lever set with lock

Privacy Set Model
Lever set with snib turn & release

Order Codes:

- Patented Magnetic Glass Lock
- BL006CR - Polished Chrome (lock version)
- BL006SC - Satin Chrome (lock version)
- BL007CR - Polished Chrome (privacy model)
- BL007SC - Satin Chrome (privacy model)

Bonaiti Serrature Since 1830

To talk about locks for wooden doors means first stepping back in time as far back as 1830 when Giuseppe & F.lli Bonaiti was founded in the small town of Lecco, where area workshops produced the base metal used to create a series of components. The workshop gradually increased in size and manufactured fastenings, spring catches, bed warmers, chestnut roasting ovens, bed bases and the tubing used for headboards. In 1936, Bonaiti began to produce external application door locks.

At the beginning of the war he created a lock model fitted into the front of the door (an absolute novelty in those days) based on the British models patented at that time: hence the term "patented" which went on to become an everyday term to identify this type of lock.

The workshop of once upon a time (which over the years was gradually transformed into a production company with a staff of 500 to meet demand in the 1990s), gave rise to a spin-off business that became Bonaiti Serrature. All stages from design and production through to distribution in Italy and throughout the world were based here. The aim was to concentrate financial and human resources, developing the technologies to further develop these products. At the start of the 21st century, production of magnetic locks began - a culmination of all the research and development of recent years.

The company premises now cover a surface area of 17,000 square metres, with the various production units occupying 8,000 square metres of covered area, from the raw materials warehouse to the finished products warehouse whose 4,800 cubic metres store the 4,000 products to be distributed to 1,500 customers in Italy and the rest of the world.

In the production departments, 71 staff produce 15,000 locks per day on 12 automated production lines that allow full control of operations and automatic packaging of every single product. It should be emphasised that all lock components use *non-polluting materials* and the production cycle is pollution-free, which has led to strong recognition of the company as ecocompatible.



The Range - *Magnetic Power*

About Bellevue

1983.....

In 1983, while renovating his own home, Aron Midler (founder of Bellevue Imports) experienced something I am sure was not uncommon at the time: the inability to find high quality and uniquely designed architectural furniture. Frustrated with what he did find, Aron spoke to a number of leading Architects and Interior Designers who all agreed that the Australian market could benefit significantly if products available overseas were available locally.

Recognising the gap in the Australian market place for these types of uniquely designed products, he took the opportunity to work with the leading manufacturer of kitchen and cabinet handles available; Confalonieri and Cosma of Italy, Didheya of Spain, Omp Porro of Italy, Leitner of Austria as well as many others from all over the world to form Bellevue Imports.

Today.....

For nearly 30 years, Bellevue Imports has been providing Australia and New Zealand with the best and most extensive range of architectural hardware and accessories available, all of which are recognised as world class in quality, design and craftsmanship.

Since Bellevue's inception, Aron's commitment in bringing to Australia the newest and most comprehensive range of architectural products has not wavered. Bellevue has supplied countless projects, from kitchen renovations, cabinet makers, new homes and residential renovations to apartments, large commercial projects and resorts. Bellevue's products are available Australia and New Zealand wide from various resellers or on a direct basis (based on location). For your nearest reseller location, please visit our web site at www.bellevueimports.com.au

Bellevue is proud to be a leader in the architectural products market place and will continue its tradition to provide products that are unique, visually distinctive, affordable and just as importantly, stocked locally, in quantity.

Inspiration.....

For as long as we can remember we have been striving to create, design and build. Our conscious effort to better ourselves and willingness to take risks has separated us from the rest.

"We look, we touch, we consider and we are inspired"

For nearly 30 years, Bellevue has also been inspired...Inspired to source and stock products from all over the world that create visual attraction and differentiation without compromising quality, design or affordability.

Today Bellevue has represented nothing but the best in architecturally inspired hardware and accessories. The relationship between design and form, form and function, aesthetics and practicality are all symbiotic.

The common door latch is considered a secondary product; very little or any thought is put into it and what it represents in context to the aesthetics of a functioning door.

Consider if you will, a door with no striker plate on the jamb, a clean smooth connection between the wall and the door. One could even go as far as to imagine a door with no lever handles but still as functional as if a handle were there. A truly wall-like door, clean and smooth, an almost invisible connection between the jamb and the door, a full wall without the visually obtrusive handle and latch.

The new range of magnetic latches by Bellevue offers the design industry something to consider, a new way of looking at doors and the walls they meet. The opportunity now exists to create elegance and sophistication without the drawbacks to traditional latches and striker plates. No unsightly protruding latch tongue sticking out of the door, no striker plate on the door jamb to catch your clothes on, a more reliable latch due to less moving parts.

A key distinction of the Bellevue name is the significant number of interpretations of the "design" concept. Consistently challenging the traditional with new and practical ideas that inspire.

Form can be unique, a challenge to design and create. From a coat hooks to shelf bracket to a door handle, all inspired designs, their materialization and transformation into a functional, practical fitting is evident in the number of designs which exist in the Bellevue range.

"Inspiration is true design,embrace it"

About Bellevue and Bonaiti

For nearly 30 years in Australia and New Zealand, the name Bellevue Imports has been synonymous with providing innovative products that create visual attraction and differentiation without compromising quality, design or affordability. Bellevue's products have been used all over Australia and New Zealand from small projects through to large (project pricing available). They are designed and manufactured by people from within the design industry, people who truly believe that design and quality are an integral part of creating something special and unique.

Today Bellevue is proud to present the new Bonaiti range of magnetic door latches. Used in a variety of applications, the Bonaiti range is ideal for all types of timber and glass swing doors where aesthetics, design and visual appearance, or in Bonaiti's case, the lack of visual appearance is important to the overall design process.

The Bonaiti range of magnetic latches are practical as well as practically different from traditional latch door hardware. Based in Italy, the Bonaiti production plant meets the highest of standards. With over 150 years of experience, Bonaiti is considered a world leader in innovation, design & quality.

The complete Bonaiti range is available Australia and New Zealand wide from a range of resellers. Delivery is typically overnight to most locations. Bellevue welcomes any organisation interested in becoming resellers of the Bonaiti range as well as any other products available from Bellevue Imports. For a complete list of resellers, visit our web site, www.bellevueimports.com.au or alternatively call Bellevue Imports on 1300 369 395 to discuss your requirements.



Bonaiti by Bellevue
Smart Architectural Products

Bellevue Imports Pty Ltd
954 Glenhuntly Road, Caulfield South Victoria 3162

Ph: 1300 369 395 www.bellevueimports.com.au
Fax: 03 9571 1347 info@bellevueimports.com.au