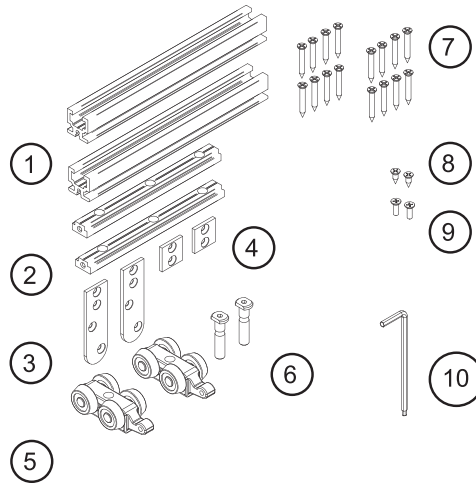


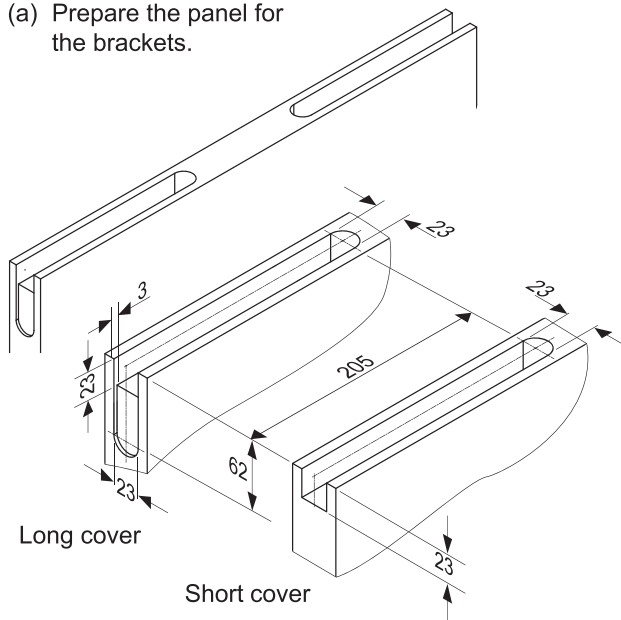
Pack Contents:

1. 2x Hanger Plate Retainer
2. 2x Hanger Plate
3. 2x Long Cover
4. 2x Cover
5. 2x Hanger
6. 2x Hanger Bolt
7. 2x Mounting Screws (8pcs)
8. 2x Screw 8G x 1/2"
9. 2x Screw M4 x 12mm
10. 1x Allen Key

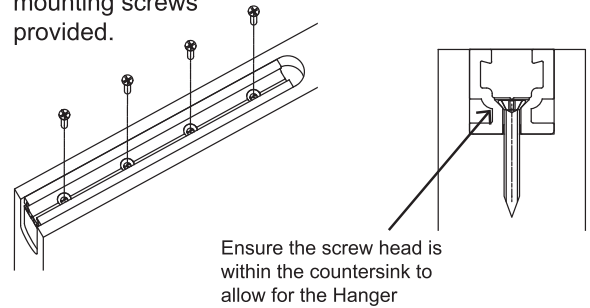


1. Panel Preparation

(a) Prepare the panel for the brackets.



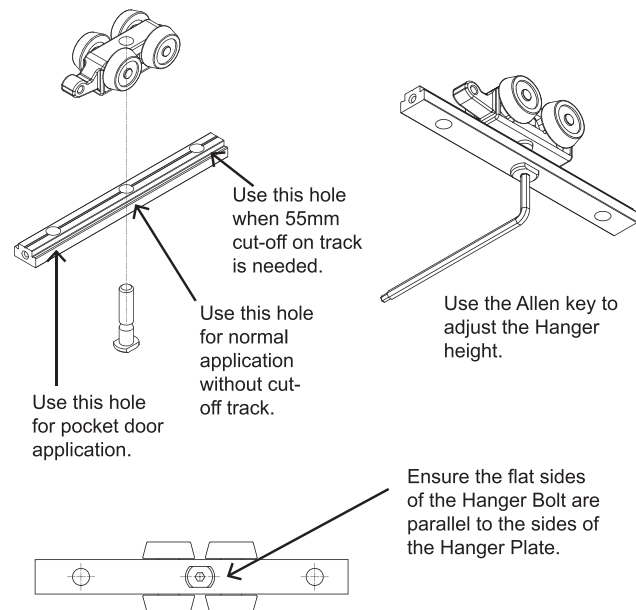
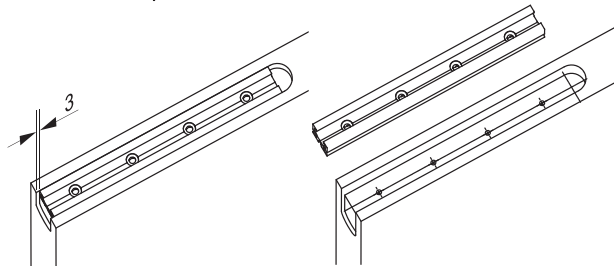
(c) Fix bracket with mounting screws provided.



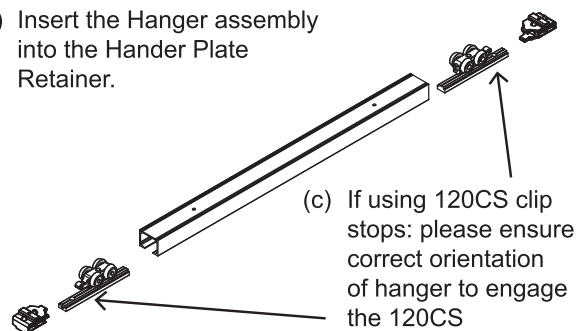
2. Hanger Assembly

(a) Assemble the Hanger Plate and bolt to the Hanger.

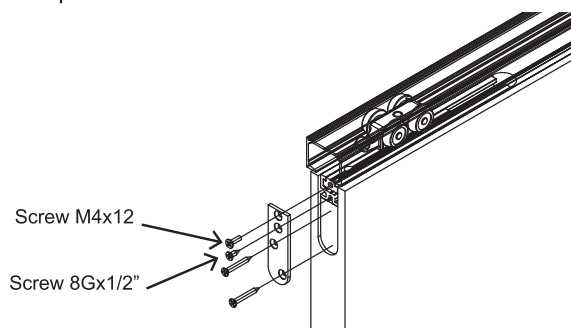
(b) Use the Hanger Plate Retainer as a template to mark and pre-drill holes for the 8G screws.



- (b) Insert the Hanger assembly into the Hanger Plate Retainer.

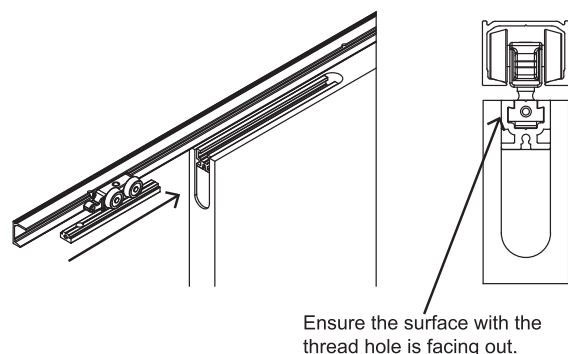


- (c) Fix the cover to the panel.

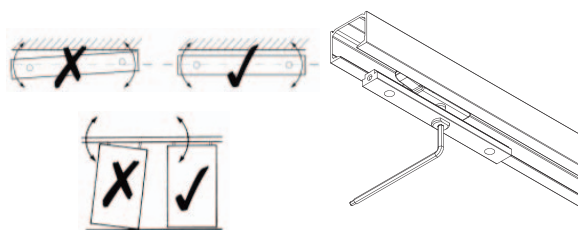


3. Attach Panel to Hanger

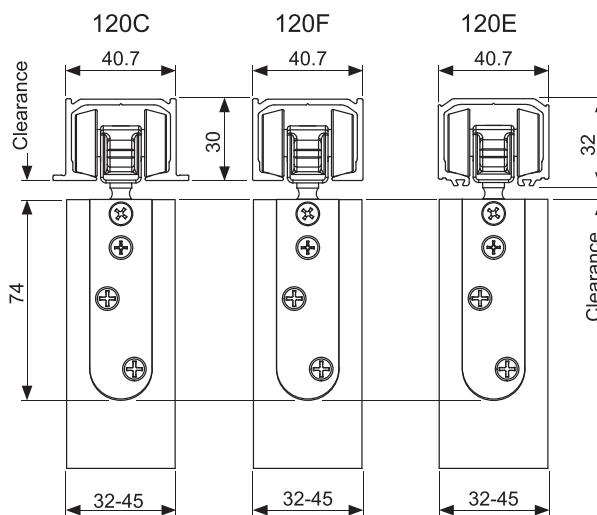
- (a) Carefully lift the door panel with Hanger Plate Retainer, inserting the Hanger Plate into the Hanger Plate Retainer.



- (b) To adjust the panel height, firstly remove the hanger plate out from the retainer on panel and then rotate the hanger bolt by using the Allen key: clockwise to lower; anticlockwise to raise.



5. System Overview



Track	With soft close	Without soft close
120C	7-13mm	3-13mm
120F	7-13mm	3-13mm
120E	5-11mm	1-11mm

Care and Maintenance

General

Inspect all fixing bolts for tightness every six months, including those securing brackets. Tighten if necessary. Routinely check for wear and if excessively worn, the part should be replaced.

To help prevent surface corrosion, wash regularly with soap or mild detergent and warm water followed by rinsing with clean cold water and wipe dry.

Track

Keep track free from obstruction and excessive dirt or water. Visible surfaces should be cleaned using a damp cloth and mild detergent, then wiped dry.

Hangers

All hangers are fitted with lubricated ball-bearings, requiring no greasing. If doors 'settle' and door clearance is reduced causing friction, raise the door by the hanger adjustment nuts. Wash as per the above recommendation and apply a light application of corrosion preventative to all surfaces, using a dry cloth to remove excess.

Guides

Guide roller and guide channel must be kept clear and free of obstructions. Wash as per the above recommendation and apply a light application of corrosion preventative to all surfaces, using a dry cloth to remove excess.

Allegion (Australia) Pty Ltd
 Freephone: 1800 098 094
 Email: auinfo@allegion.com
www.allegion.com.au

Allegion (New Zealand) Limited
 Freephone: 0800 477 869
 Email: nzinfo@allegion.com
www.allegion.co.nz

