

# Briton 1130B-T Door Closer

Allegion Australia  
 Freephone 1800 098 094  
 Freefax 1800 098 095  
 Email [auinfo@allegion.com](mailto:auinfo@allegion.com)  
[www.allegion.com.au](http://www.allegion.com.au)

Allegion New Zealand  
 Freephone 0800 477 869  
 Freefax 0800 477 868  
 Email [nzinfo@allegion.com](mailto:nzinfo@allegion.com)  
[www.allegion.co.nz](http://www.allegion.co.nz)



© 2014 Allegion

100

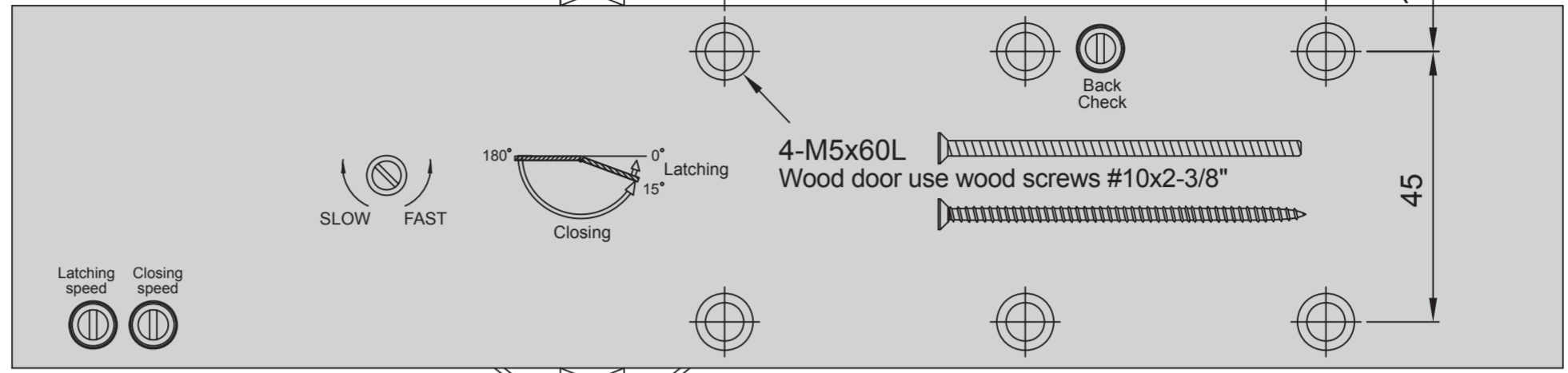
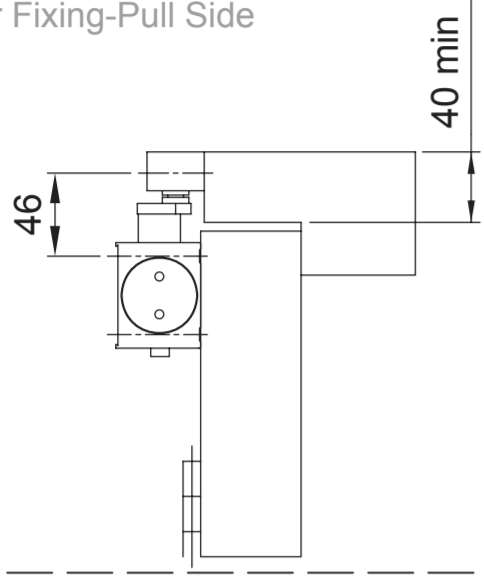
524



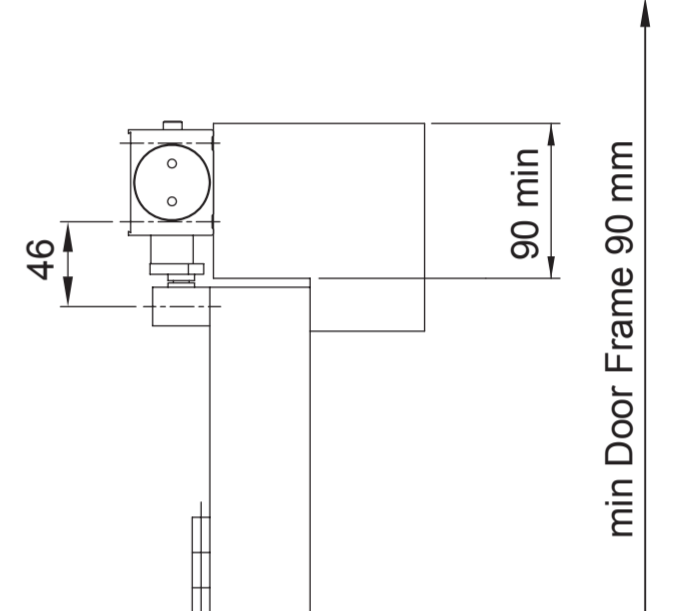
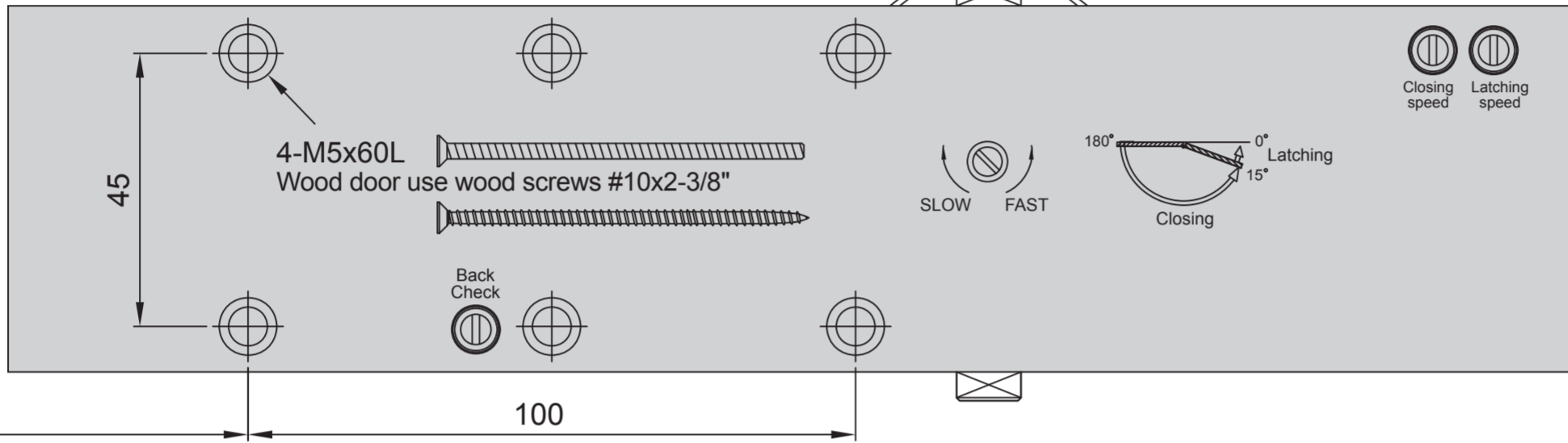
230

100

Regular Fixing-Pull Side



Transom Fixing-Pull Side



15



100

524

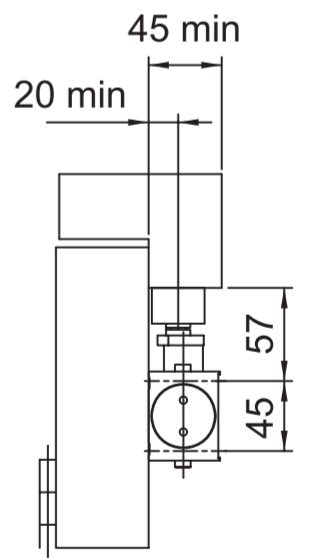
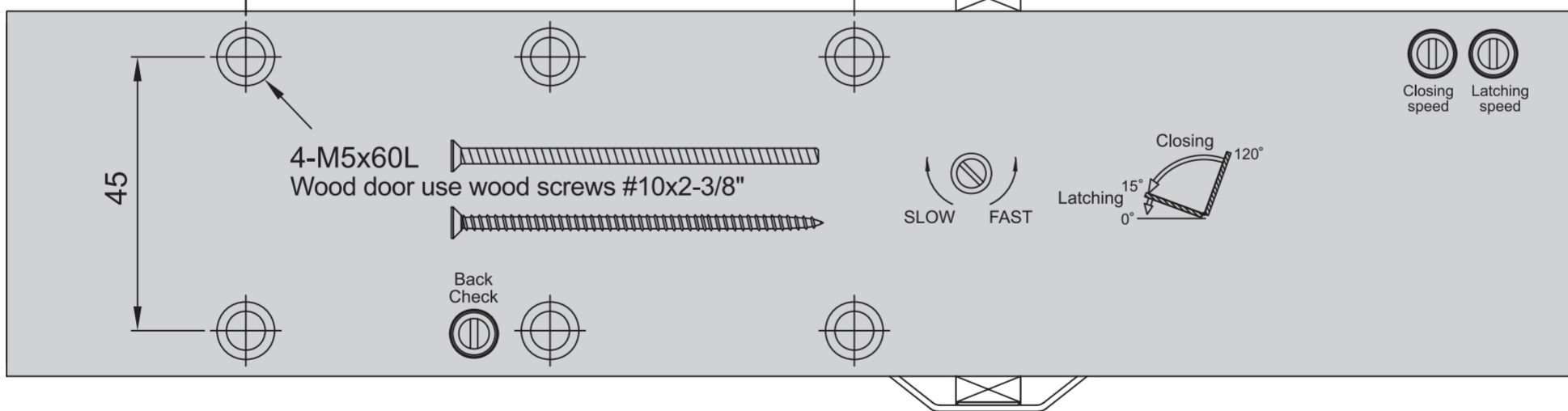
2-M5x12L  
 Wood door use wood screws #10x1"

120

524

100

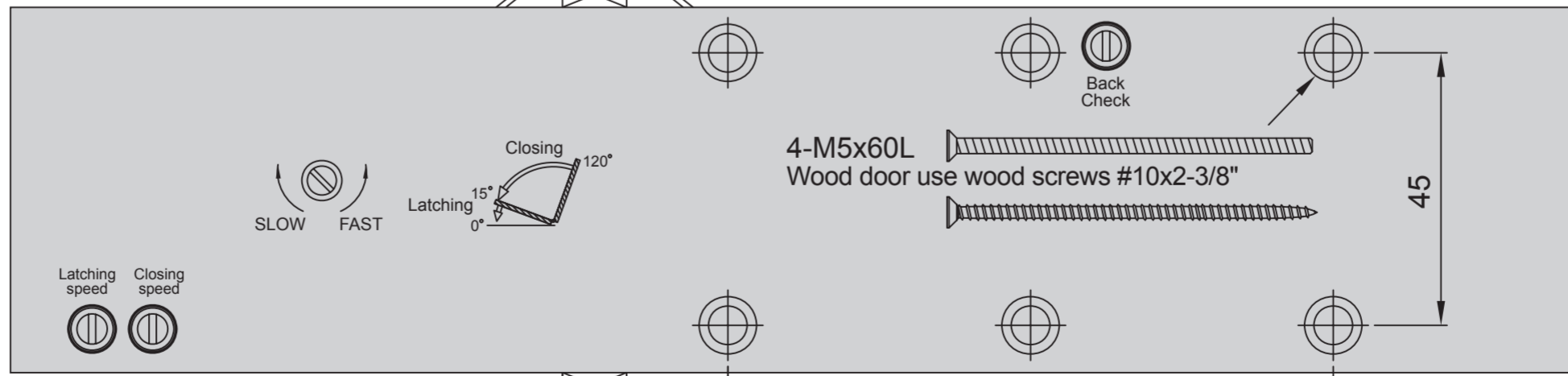
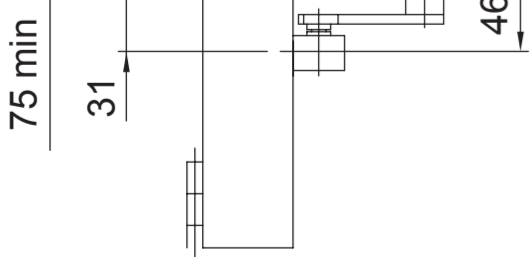
100



Regular Fixing-Push Side

Transom Fixing-Push Side

50 max



min Door Frame 75 mm

210

100

2-M5x50L  
 Wood door use wood screws #10x2"

80

524

# Briton 1130B-T Door Closer

