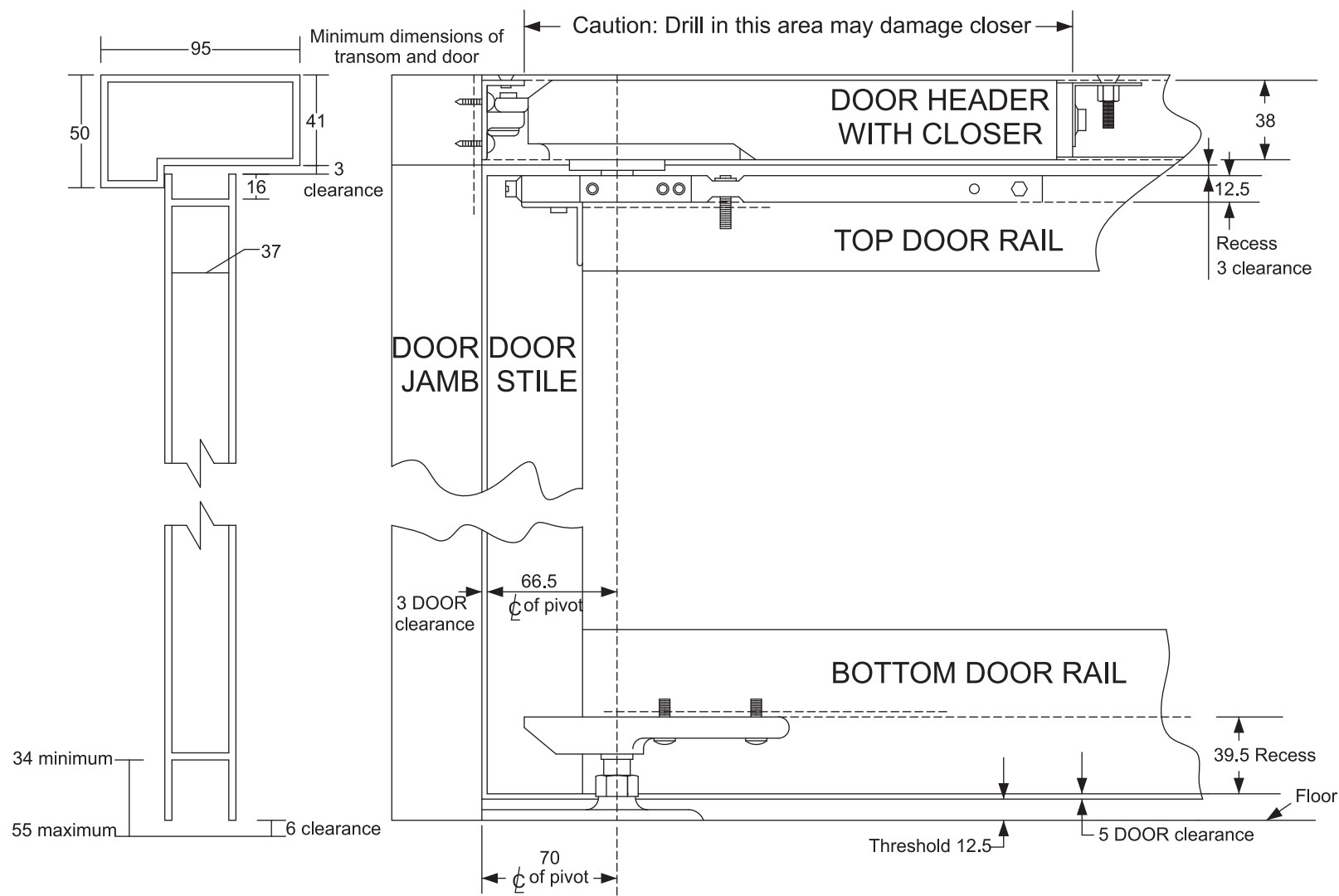
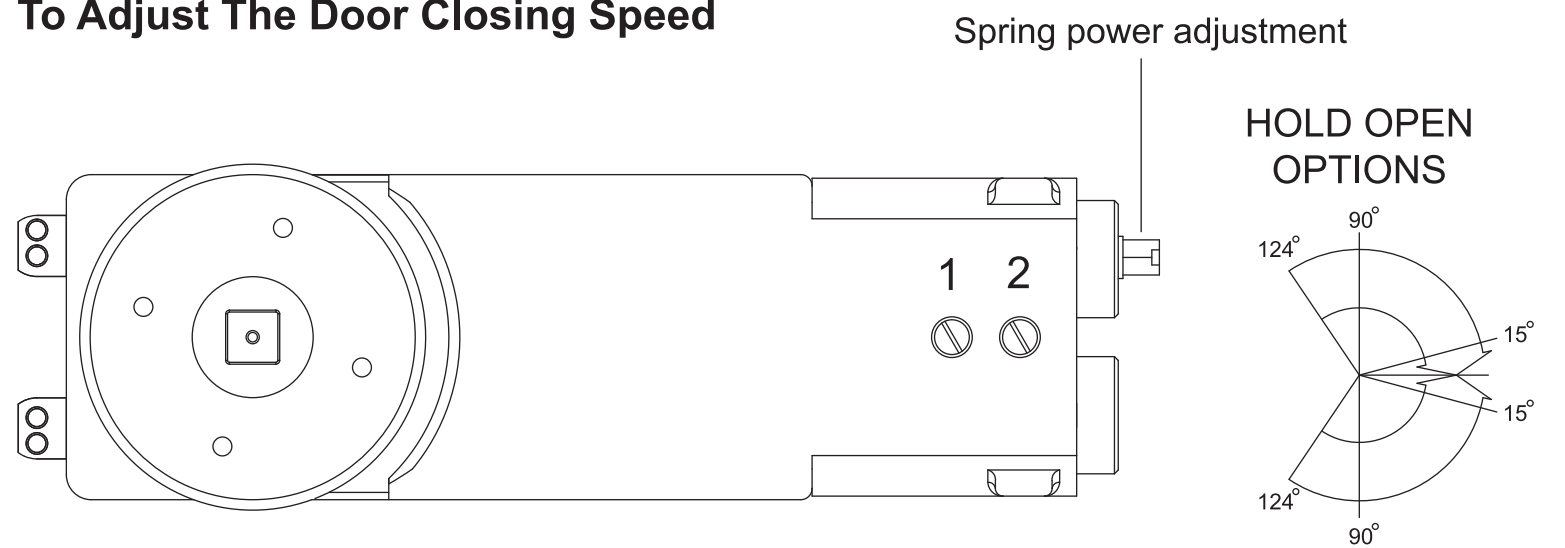


INSTALL



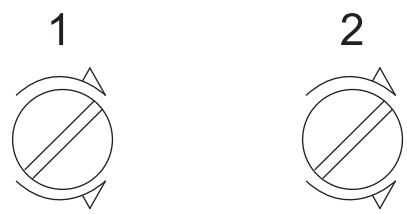
To Adjust The Door Closing Speed



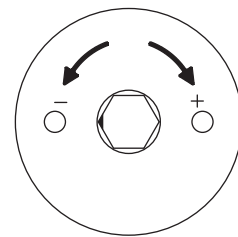
Closing Speed Adjustment

Power Adjustment

CLOSING RANGE



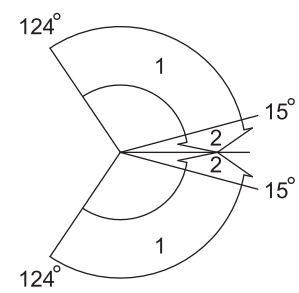
Turn Clockwise for Slower Speed
Anti-Clockwise for Faster Speed



Use 8mm Open end wrenches

EN 2	EN 3	EN 4
+0 - +4	+5 - +7	+8

Factory presetting size : EN 2



1.CLOSING RANGE
2.LATCHING RANGE

To Erect The Door

As supplied the square pivot of the closer sits in the central (closed) position. Using grips and suitable leverage, rotate the square pivot to the 90 degrees position. In the case of an NHO closer, wind the closing speed adjuster in fully to give sufficient time to load the door into position.

Holding door at approximately 15 degrees, lower onto the pivot bolt and swing the door into the vertical position locating the closer spindle into the arm recess.

Note: To ease the hanging of single action doors it may be necessary to temporarily remove the door stop if already fitted.

Wedge the door in position and fit the arm clamp block with the 2 No. socket head screws and conical lock washers (F). Use allen key provided to tighten block down securely.

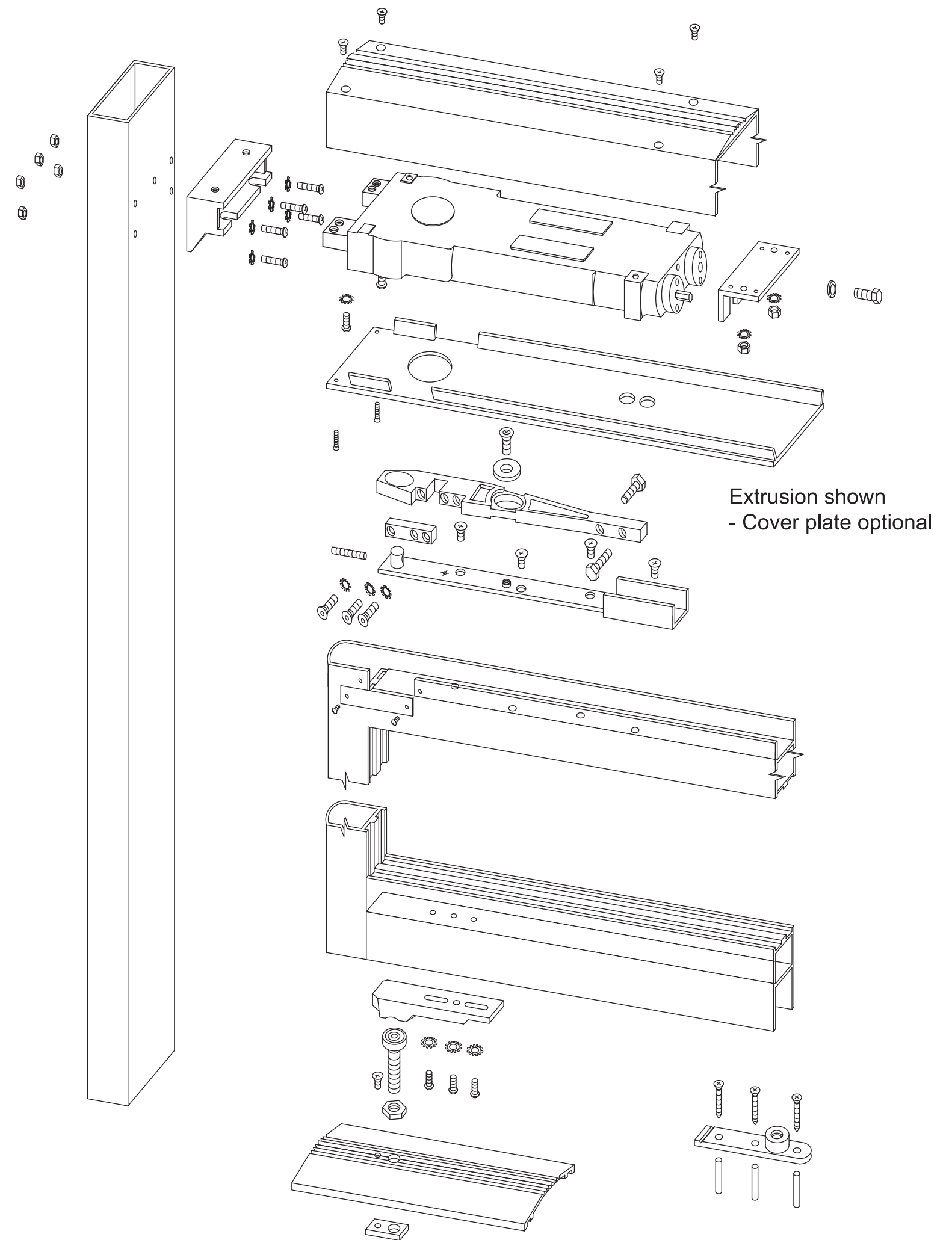
Fit tag plate to top rail cut-out. Align door to jamb and meeting stile by adjusting bolts (C).

Fit final fixing screw in bottom pivot shoe and tighten all fixings securely.

Briton

**2800 Series Transom Closer
Installation Instructions**

FIXING INSTRUCTIONS FOR METAL APPLICATIONS



NOTE : 1.For Side-Load & End-Load (AFT) installation, please refer to page 2.
2.The thread of all fixings should be applied with Loctite 222 or similar and securely fastened.

Contents

Centre Pivoted-Double or Single Acting..... page 1
Arms & Bottom Pivot installation..... page 2
Transom / Header Bar, 70mm Pivot Point..... page 3
Install & To Adjust The Door Closing Speed..... page 4

Options for Arm Installation

1

Side-Load Top Arm and Channel 70mm Pivot Point

Prepare the top rail of the door as detailed, ensuring that the internal faces of the stile and top rail have been cut away to enable the closer spindle to be engaged during door hanging.

Drill 7mm hole in the heel of the door giving access to the adjustment screw (C).

Fit steel arm channel to the door top rail using the 4 No.M6 CSK screws (A).

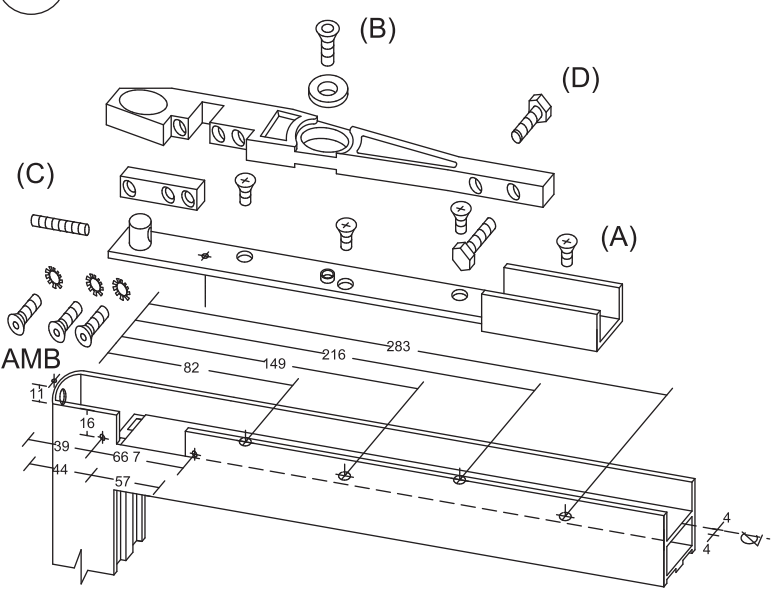
Fit the adjustment screw (C) into the channel post and the 2 No. alignment bolts into the arm.

Place the arm into the channel and fit the large countersunk washer and socket head screw (B).

Slide the arm centrally over the pre-punched pivot mark in the channel and adjust position with screw (C).

Unwind alignment bolts (D) equally on the steel channel upstands.

Tighten all fixings.



2

Side-Load AFT Top Arm and Channel 70mm Pivot Point

Prepare the top rail of the door as detailed, ensuring that the internal faces of the stile and top rail have been cut away to enable the closer spindle to be engaged during door hanging.

Drill 7mm hole in the heel of the door giving access to the adjustment screw (C).

Fit steel arm channel to the door top rail using the 4 No.M6 CSK screws (A).

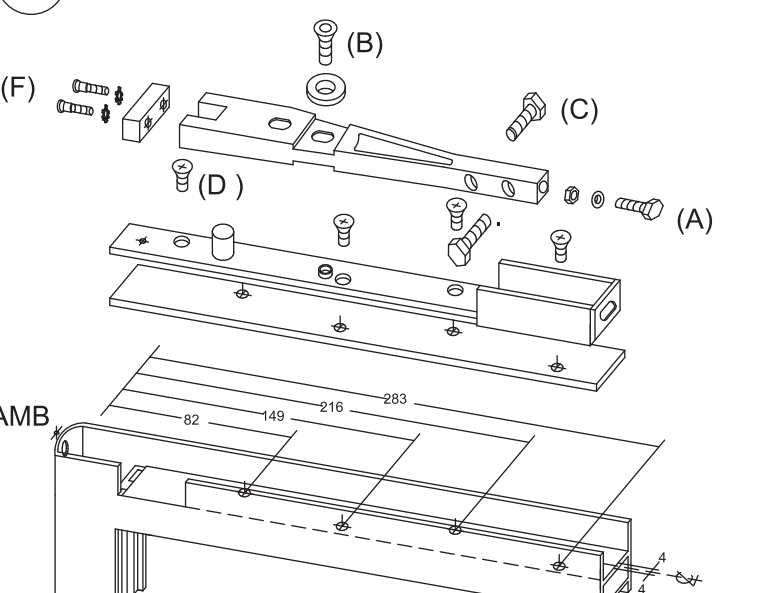
Fit the adjustment screw (C) into the channel and the 2 No. alignment bolts into the arm.

Place the arm into the channel and fit the large countersunk washer and socket head screw (B).

Slide the arm centrally over the pre-punched pivot mark in the channel and adjust position with screw (C).

Fit the 2 No. Allen screws and the conical washers (F) after the door has been hung.

Tighten all fixings.



3

End-Load Top Arm and Channel 70mm Pivot Point

Prepare the top rail of the door as detailed, ensuring that the internal faces of the stile and top rail have been cut away to enable the closer spindle to be engaged during door hanging.

Fit steel arm channel to the door top rail using the 4 No.M6 CSK screws (D).

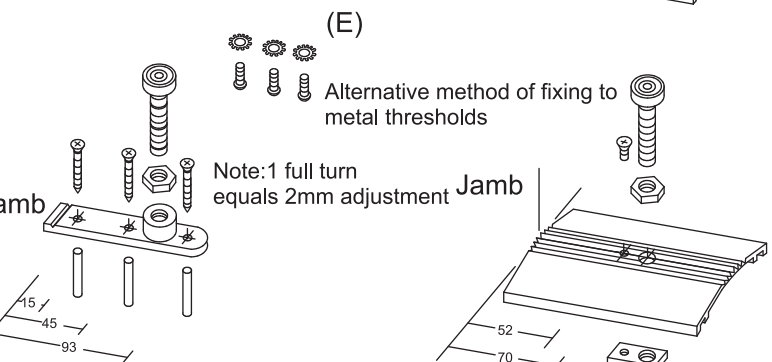
Fit the 2 No. alignment bolts (C) into the arm.

Place the arm into the channel and fit the large countersunk washer and socket head screw (B).

Slide the arm centrally over the small pivot point hole in the rear of the channel and adjust position with screw (A).

Fit the 2 No. allen screws and the conical washers (F) after the door has been hung. (See the section entitled *To Erect the Door* for details).

Tighten all fixings.



Bottom Pivot Assembly 70mm Pivot Point

Prepare the bottom rail of the door to accommodate the pivot shoe with 2 No. drilled and tapped M6 holes at 98.5mm and 143mm centres.

Fit pivot shoe to underside of door, through the slotted holes with 2 No.M6 x10mm round head screws and lock-washers.

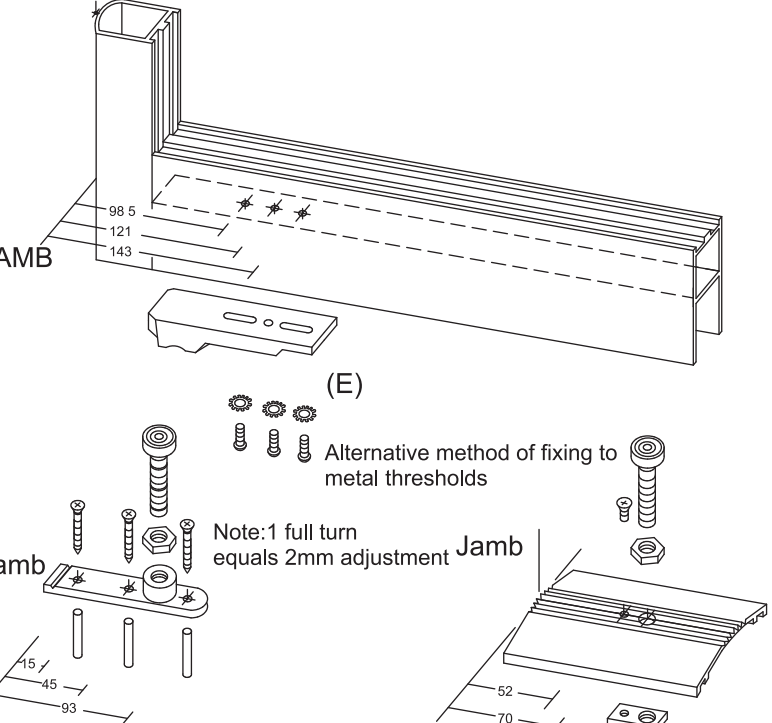
The centre hole should be drilled and tapped on-site when the door has been correctly aligned.

THIS FINAL FIXING MUST BE USED.

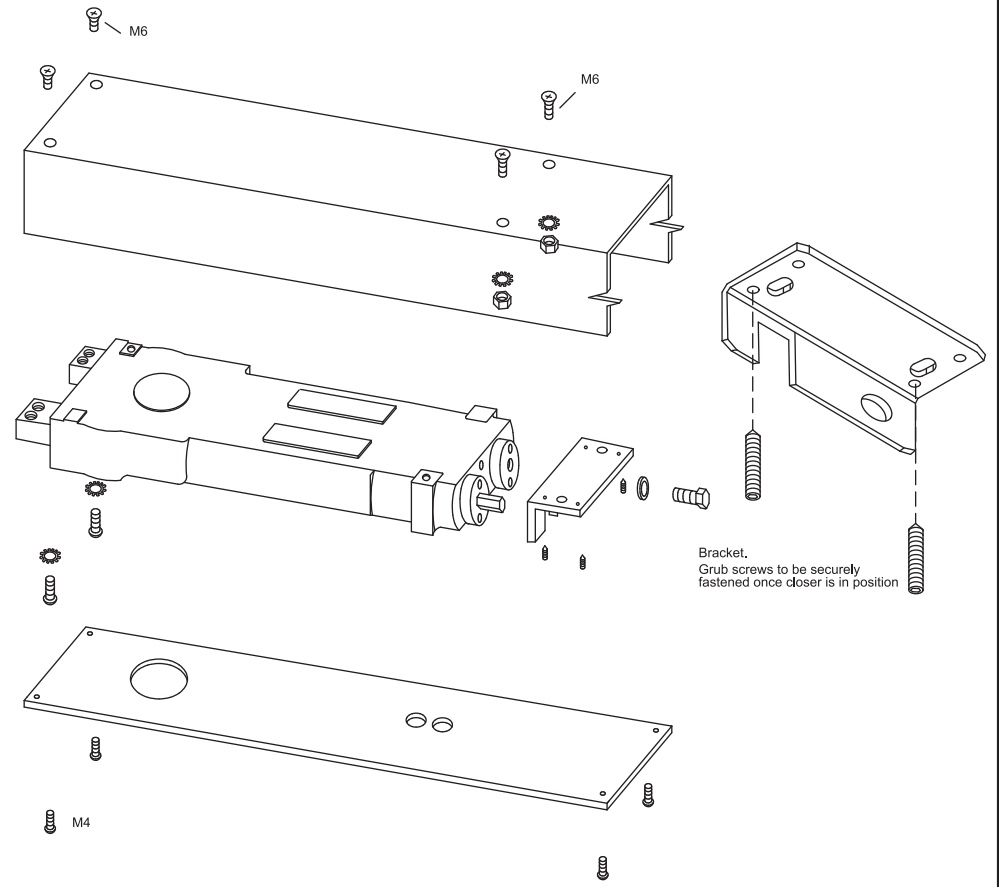
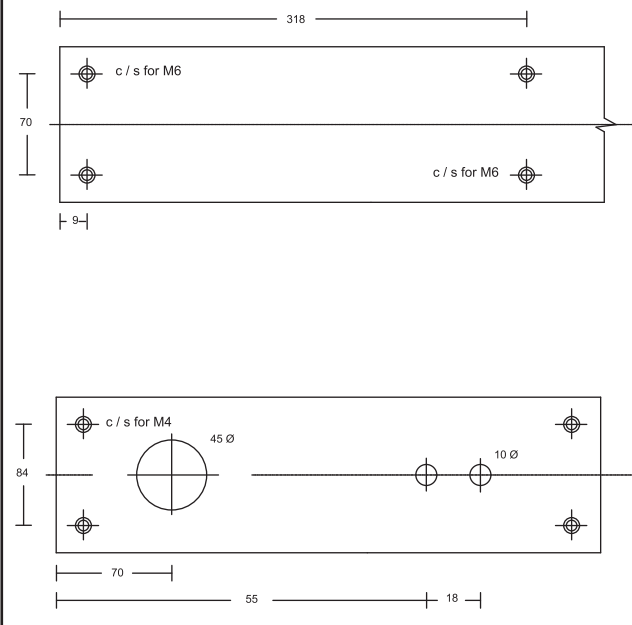
If an aluminium threshold is being used prepare as shown below:

The 5mm thick plate is held in position by the M5 countersunk screw and the pivot bolt can be installed.

Determine the correct height of the pivot and tighten the locknut. If the bolt protrudes below the base of the threshold excess must be removed or the floor level drilled accordingly.

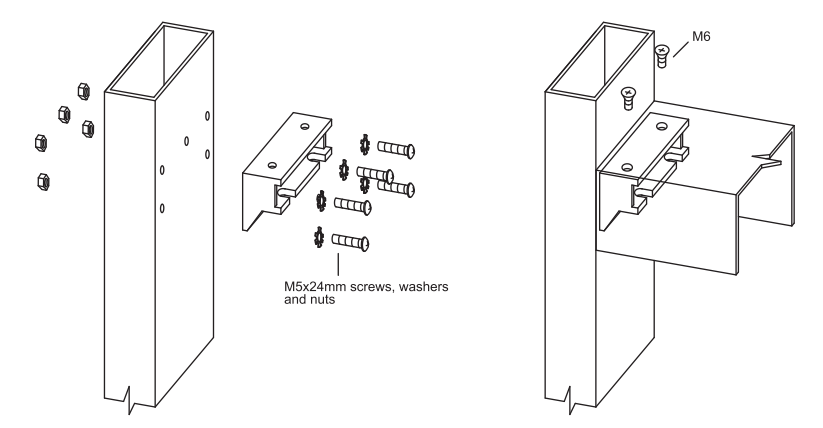
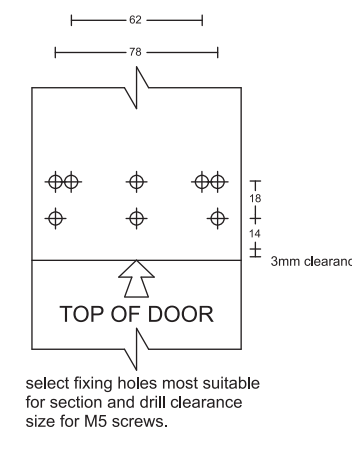


Transom/Header Bar 70mm Pivot Point

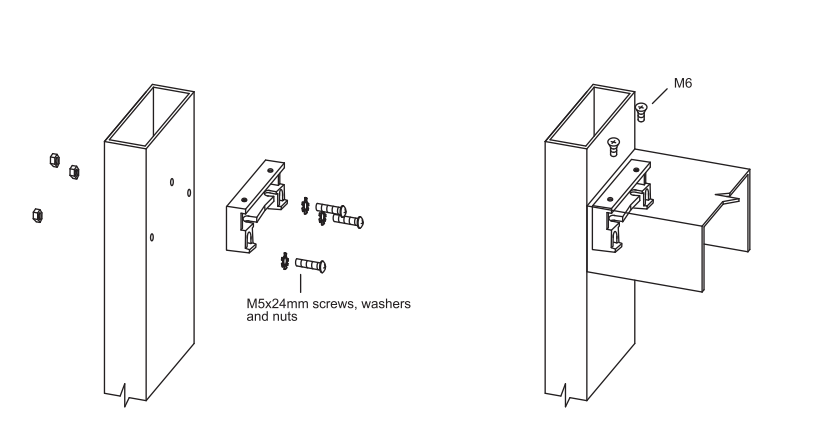
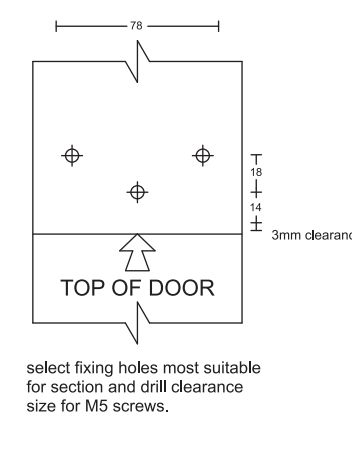


Hinge Jamb

1



2



For 65mm bracket

For the front bracket , there are two options 1 or 2 as shown above depending on the bracket type required.

Prepare transom/header bar and cover plate to accept closer as detailed below. Fit jamb bracket to jamb with the 5 No. M5x24mm screws, washers and nuts.

Drill clearance holes and countersink header bar for 2 No.M6x10mm screws and 2 No.M6x15mm CSK bolts.

Fit steel angle bracket to header bar using the 2 No.M6x15mm bolts, locking washers and nuts.

Locate the 2 fixing lugs into jamb bracket and raise the rear end of the closer into position.

Fit the 2 No.M6x15mm hexagon head bolts and flat washers through the angle bracket and the 2 No.M6x15mm round head screws and lock washers into the closer lugs.

Once the 70mm pivot centre has been achieved, fasten the M6 bolts securely. Centralise the closer.