



Passage



Privacy Snib



Key Locking



Bi-Parting (Double Doors)



Universal Design



CL400[®] Magnetic

The **CL400[®] Magnetic** is a range of modern architectural hardware for sliding doors. The range covers Passage, Privacy, Key Locking, Bi-Parting and Accessible configurations.

This high quality, wrap around handle is easy to fit, requiring no complicated mortice cutout.

High quality door hardware for most interior sliding applications.



↑ 1 - CaviLock CL400 Passage (latching) handle in Satin Chrome fitted to a timber door.



- ▮ Architectural styling with a wide range of configurations and finish options available
- ▮ Suitable for use on timber doors as well as the **CS NewYorker[®]** aluminium framed door
- ▮ No on site alteration of handle is required
- ▮ Reliable, high quality components
- ▮ Suitable for cavity or surface sliding doors*
- ▮ Step by step installation instructions with detailed diagrams and templates are included
- ▮ Can be used to upgrade existing hardware by retrofitting over smaller box cutout

Positive grip for heavy doors

Simple cutout ensures quick fitting

Front edge incorporates a finger hole to retrieve door from the pocket

Moving parts sit flush until the door closes to minimise wear

Patented magnetic catch and plunger action produces a positive hold close without the need to activate the snib

Hidden fixing screws - only three small screws showing on the face plate

Available with a choice of face plate widths

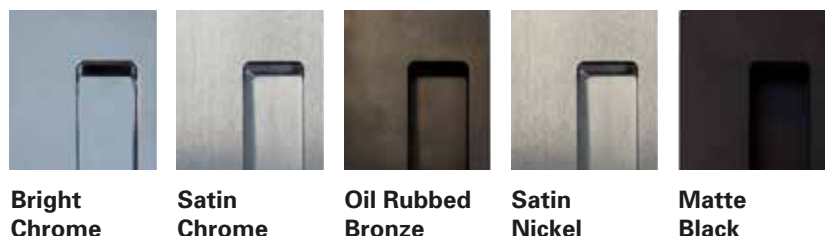
Striker can be adjusted 2.5mm up or down once installed

Striker sits flush with the closing jamb

* Not suitable as a secure exterior lock.

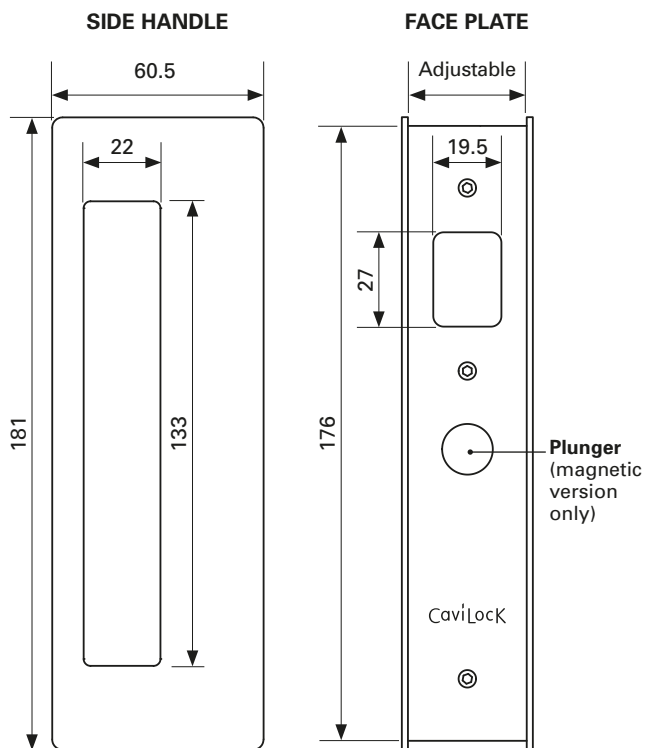
Finish Options

All CL400 handles are available in a range of finishes. Custom finishes are available by special order.



The CL400 Magnetic is a stylish architectural option for passage handles. Designed to complement the privacy and locking range, this handle features a positive hold close action to ensure the door doesn't bounce off the closing jamb. A non-magnetic option also available.

Dimensions

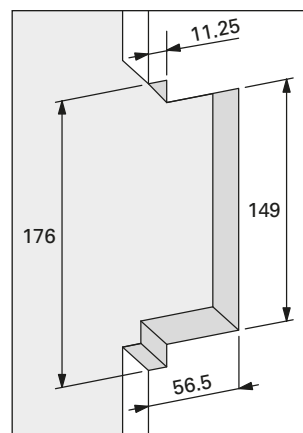


▲ 2 - CL400 Passage (non latching). Satin Chrome finish.

Door Cutout

The CL400 Magnetic requires a simple door cut out.

Complete instructions and templates are supplied with every handle.



CL400 Passage Configurations

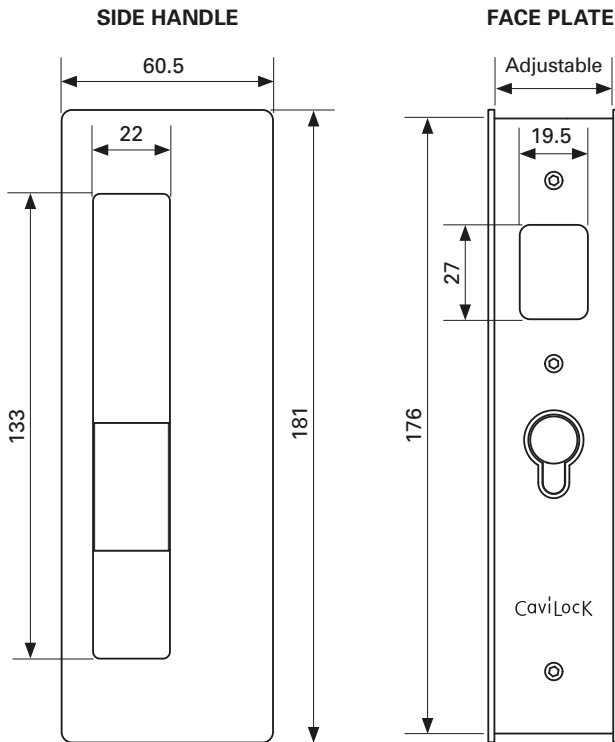
Function	Finish	Door Thickness			
		34-40mm	40-46mm	46-52mm	52-58mm
Blank/Blank (Non-latching)	Bright Chrome	CL400A0025	CL400A0026	CL400A0027	CL400A0031
	Satin Chrome	CL400A0125	CL400A0126	CL400A0127	CL400A0131
	ORB	CL400A0225	CL400A0226	CL400A0227	CL400A0231
	Satin Nickel	CL400A0325	CL400A0326	CL400A0327	CL400A0331
	Matte Black	CL400A0425	CL400A0426	CL400A0427	CL400A0431
Blank/Blank (Mag latching)	Bright Chrome	CL400A0028	CL400A0029	CL400A0030	CL400A0035
	Satin Chrome	CL400A0128	CL400A0129	CL400A0130	CL400A0135
	ORB	CL400A0228	CL400A0229	CL400A0230	CL400A0235
	Satin Nickel	CL400A0328	CL400A0329	CL400A0330	CL400A0335
	Matte Black	CL400A0428	CL400A0429	CL400A0430	CL400A0435



▲ 3 - CL400 Passage (latching). Oil Rubbed Bronze finish.

The CL400 Privacy option matches the other configurations in the range. The magnetic latching feature ensures the door doesn't roll open - even if the snib is not engaged.

Dimensions



4 - CL400 Privacy Snib/ Snib option. Satin Chrome finish.

CL400 Privacy Configurations

Function	Finish	Door Thickness			
		34-40mm	40-46mm	46-52mm	52-58mm
	Bright Chrome	CL400B0025	CL400B0030	CL400B0035	CL400B0040
	Satin Chrome	CL400B0125	CL400B0130	CL400B0135	CL400B0140
	ORB	CL400B0225	CL400B0230	CL400B0235	CL400B0240
	Satin Nickel	CL400B0325	CL400B0330	CL400B0335	CL400B0340
	Matte Black	CL400B0425	CL400B0430	CL400B0435	CL400B0440
	Bright Chrome	CL400B0026	CL400B0031	CL400B0036	CL400B0041
	Satin Chrome	CL400B0126	CL400B0131	CL400B0136	CL400B0141
	ORB	CL400B0226	CL400B0231	CL400B0236	CL400B0241
	Satin Nickel	CL400B0326	CL400B0331	CL400B0336	CL400B0341
	Matte Black	CL400B0426	CL400B0431	CL400B0436	CL400B0441
	Bright Chrome	CL400B0027	CL400B0032	CL400B0037	CL400B0042
	Satin Chrome	CL400B0127	CL400B0132	CL400B0137	CL400B0142
	ORB	CL400B0227	CL400B0232	CL400B0237	CL400B0242
	Satin Nickel	CL400B0327	CL400B0332	CL400B0337	CL400B0342
	Matte Black	CL400B0427	CL400B0432	CL400B0437	CL400B0442
	Bright Chrome	CL400B0028	CL400B0033	CL400B0038	CL400B0043
	Satin Chrome	CL400B0128	CL400B0133	CL400B0138	CL400B0143
	ORB	CL400B0228	CL400B0233	CL400B0238	CL400B0243
	Satin Nickel	CL400B0328	CL400B0333	CL400B0338	CL400B0343
	Matte Black	CL400B0428	CL400B0433	CL400B0438	CL400B0443
	Bright Chrome	CL400B0029	CL400B0034	CL400B0039	CL400B0044
	Satin Chrome	CL400B0129	CL400B0134	CL400B0139	CL400B0144
	ORB	CL400B0229	CL400B0234	CL400B0239	CL400B0244
	Satin Nickel	CL400B0329	CL400B0334	CL400B0339	CL400B0344
	Matte Black	CL400B0429	CL400B0434	CL400B0439	CL400B0444

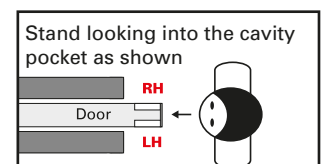


5 - CL400 Privacy - Emergency Release/Snib option. Matte Chrome finish.

Handing

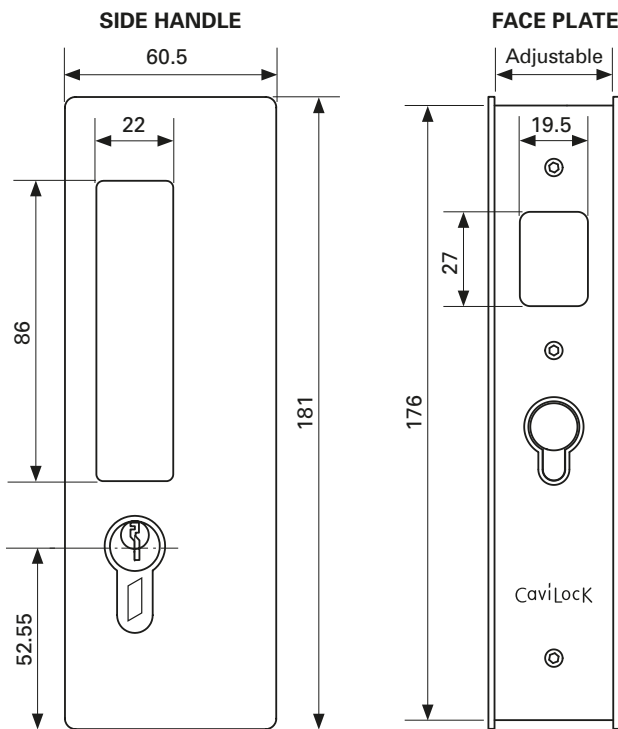
Handing is determined at time of manufacture and cannot be altered on site. Careful selection of handing options is required at time of order.

See diagram for determining handing of functions.



The CL400 Key Locking option is suitable for residential or light commercial use in internal situations where medium security is required. It incorporates a 3 pin single or double Euro Profile cylinder, which suits most door thicknesses. All Key Locking handles come with a raised shroud as standard for increased security.*

Dimensions



↑ 6 - CL400 Key/Key option. Satin Nickel finish.



↑ 7 - CL400 Key/Snib option. Oil Rubbed Bronze finish.

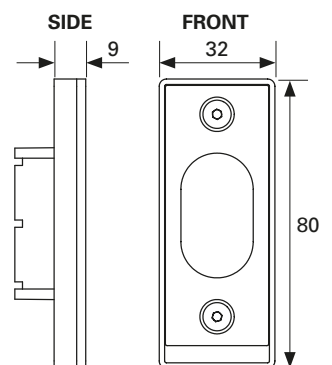
CL400 Key Configurations

Function	Finish	Door Thickness			
		34-40mm	40-46mm	46-52mm	52-58mm
Blank/Key RH	Bright Chrome	CL400C0025	CL400C0035	CL400C0045	CL400C0050
	Satin Chrome	CL400C0125	CL400C0135	CL400C0145	CL400C0150
	ORB	CL400C0225	CL400C0235	CL400C0245	CL400C0250
	Satin Nickel	CL400C0325	CL400C0335	CL400C0345	CL400C0350
	Matte Black	CL400C0425	CL400C0435	CL400C0445	CL400C0450
LH Key/Blank	Bright Chrome	CL400C0026	CL400C0036	CL400C0046	CL400C0051
	Satin Chrome	CL400C0126	CL400C0136	CL400C0146	CL400C0151
	ORB	CL400C0226	CL400C0236	CL400C0246	CL400C0251
	Satin Nickel	CL400C0326	CL400C0336	CL400C0346	CL400C0351
	Matte Black	CL400C0426	CL400C0436	CL400C0446	CL400C0451
LH Snib/Key RH	Bright Chrome	CL400C0027	CL400C0037	CL400C0047	CL400C0052
	Satin Chrome	CL400C0127	CL400C0137	CL400C0147	CL400C0152
	ORB	CL400C0227	CL400C0237	CL400C0247	CL400C0252
	Satin Nickel	CL400C0327	CL400C0337	CL400C0347	CL400C0352
	Matte Black	CL400C0427	CL400C0437	CL400C0447	CL400C0452
LH Key/Snib RH	Bright Chrome	CL400C0028	CL400C0038	CL400C0048	CL400C0053
	Satin Chrome	CL400C0128	CL400C0138	CL400C0148	CL400C0153
	ORB	CL400C0228	CL400C0238	CL400C0248	CL400C0253
	Satin Nickel	CL400C0328	CL400C0338	CL400C0348	CL400C0353
	Matte Black	CL400C0428	CL400C0438	CL400C0448	CL400C0453
Key/Key	Bright Chrome	CL400C0029	CL400C0039	CL400C0049	CL400C0054
	Satin Chrome	CL400C0129	CL400C0139	CL400C0149	CL400C0154
	ORB	CL400C0229	CL400C0239	CL400C0249	CL400C0254
	Satin Nickel	CL400C0329	CL400C0339	CL400C0349	CL400C0354
	Matte Black	CL400C0429	CL400C0439	CL400C0449	CL400C0454

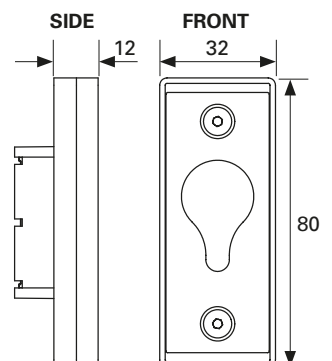
Striker

Depending on the handle configuration, the striker sits flush with the face of the closing jamb or is recessed into the jamb.

Flush striker
(Passage/Privacy handles)



Recessed striker
(Key Locking handles)



* Not suitable as a secure exterior lock.

The CL400 Bi-Parting set is suitable for use where two doors meet in the middle. Passage, Privacy and Key Locking configurations are available. The positive hold close action brings the doors together smoothly, and holds them together until ready to open.

Note: Privacy and Key Locking configurations are not suitable as a high security option when used in a Bi-Parting door setup.



CL400 Bi-Parting Configurations

Function	Finish	Door Thickness (EACH CODE BELOW INCLUDES 1 PAIR OF HANDLES)			
		34-40mm	40-46mm	46-52mm	52-58mm
Passage (non latch) 	Bright Chrome	CL400D0025	CL400D0026	CL400D0027	CL400D0031
	Satin Chrome	CL400D0125	CL400D0126	CL400D0127	CL400D0131
	ORB	CL400D0225	CL400D0226	CL400D0227	CL400D0231
	Satin Nickel	CL400D0325	CL400D0326	CL400D0327	CL400D0331
	Matte Black	CL400D0425	CL400D0426	CL400D0427	CL400D0431
Passage (Mag latch) 	Bright Chrome	CL400D0028	CL400D0029	CL400D0030	CL400D0033
	Satin Chrome	CL400D0128	CL400D0129	CL400D0130	CL400D0133
	ORB	CL400D0228	CL400D0229	CL400D0230	CL400D0233
	Satin Nickel	CL400D0328	CL400D0329	CL400D0330	CL400D0333
	Matte Black	CL400D0428	CL400D0429	CL400D0430	CL400D0433
Privacy Snib/Snib 	Bright Chrome	CL400D0035	CL400D0040	CL400D0045	CL400D0076
	Satin Chrome	CL400D0135	CL400D0140	CL400D0145	CL400D0176
	ORB	CL400D0235	CL400D0240	CL400D0245	CL400D0276
	Satin Nickel	CL400D0335	CL400D0340	CL400D0345	CL400D0376
	Matte Black	CL400D0435	CL400D0440	CL400D0445	CL400D0476
Privacy Blank/Snib 	Bright Chrome	CL400D0036	CL400D0041	CL400D0046	CL400D0077
	Satin Chrome	CL400D0136	CL400D0141	CL400D0146	CL400D0177
	ORB	CL400D0236	CL400D0241	CL400D0246	CL400D0277
	Satin Nickel	CL400D0336	CL400D0341	CL400D0346	CL400D0377
	Matte Black	CL400D0436	CL400D0441	CL400D0446	CL400D0477
Privacy ER/Snib 	Bright Chrome	CL400D0038	CL400D0043	CL400D0048	CL400D0078
	Satin Chrome	CL400D0138	CL400D0143	CL400D0148	CL400D0178
	ORB	CL400D0238	CL400D0243	CL400D0248	CL400D0278
	Satin Nickel	CL400D0338	CL400D0343	CL400D0348	CL400D0378
	Matte Black	CL400D0438	CL400D0443	CL400D0448	CL400D0478
Blank/Key 	Bright Chrome	CL400D0050	CL400D0060	CL400D0070	CL400D0079
	Satin Chrome	CL400D0150	CL400D0160	CL400D0170	CL400D0179
	ORB	CL400D0250	CL400D0260	CL400D0270	CL400D0279
	Satin Nickel	CL400D0350	CL400D0360	CL400D0370	CL400D0379
	Matte Black	CL400D0450	CL400D0460	CL400D0470	CL400D0479
Snib/Key 	Bright Chrome	CL400D0052	CL400D0062	CL400D0072	CL400D0080
	Satin Chrome	CL400D0152	CL400D0162	CL400D0172	CL400D0108
	ORB	CL400D0252	CL400D0262	CL400D0272	CL400D0280
	Satin Nickel	CL400D0352	CL400D0362	CL400D0372	CL400D0380
	Matte Black	CL400D0452	CL400D0462	CL400D0472	CL400D0480
Key/Key 	Bright Chrome	CL400D0055	CL400D0065	CL400D0075	CL400D0081
	Satin Chrome	CL400D0155	CL400D0165	CL400D0175	CL400D0181
	ORB	CL400D0255	CL400D0265	CL400D0275	CL400D0281
	Satin Nickel	CL400D0355	CL400D0365	CL400D0375	CL400D0381
	Matte Black	CL400D0455	CL400D0465	CL400D0475	CL400D0481

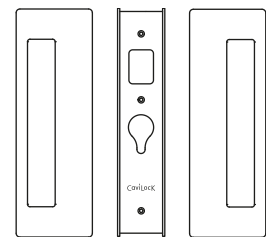
▲ 9 - CL400 Bi-Parting Privacy Emergency/Snib option. Satin Nickel.



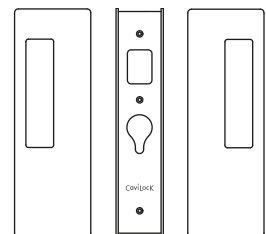
▲ 8 - CL400 Bi-Parting Privacy Emergency/Snib option. Satin Nickel.

Handing

Bi-Parting Privacy Snib One Side and Key One Side handles are supplied with the Snib or Key on the right hand side. If you require them on the left, swap with the Bi-Parting mate on site.



Matching Handle Set
- Passage / Privacy



Matching Handle Set
- Key Locking

The CL400 ADA Magnetic matches the look and functionality of the CL400 Magnetic range with greater accessibility.

Utilising the patented magnetic mechanism of the CL400 Magnetic, this addition to the range provides flexibility for building owners. It uses the same door cutout and striker and is able to be retrofitted over existing CL400 flush handles for the requirements of disabled tenants.

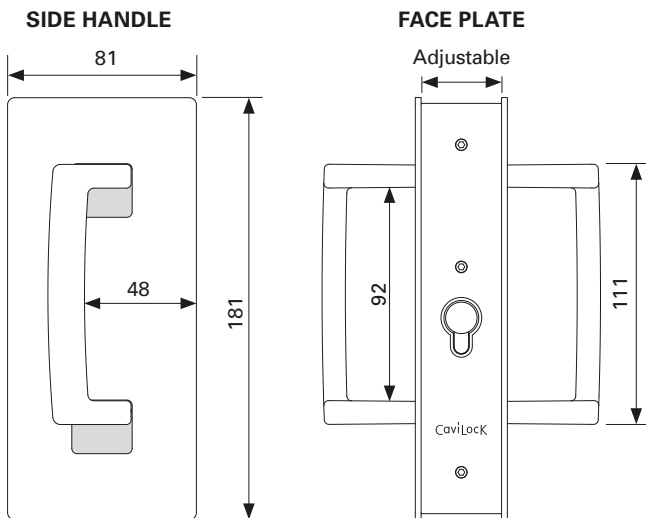
Design Features

- ▮ Pull handle is easy to use - no tight pinching or twisting of the wrist.
- ▮ Complies with NZS4121:2001*
- ▮ Specify with the **CS EasyOpen** cavity slider for a complete solution.*
- ▮ Privacy option is supplied with red/green engaged/vacant indication as standard.
- ▮ Available in Passage, Privacy and Bi-Parting configurations.
- ▮ Suitable for cavity or surface sliding doors.



↑ 10 - CL400 ADA Magnetic Privacy Snib, Satin Chrome.

Dimensions



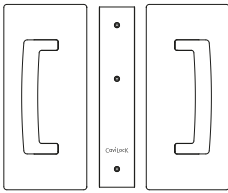
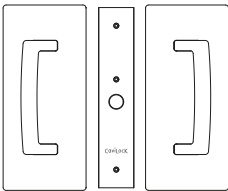
↑ 11 - CL400 ADA Magnetic Emergency Release, Satin Chrome.

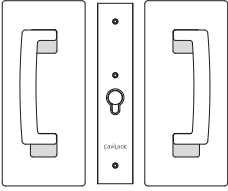
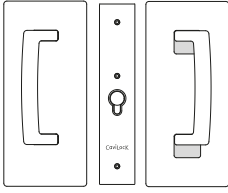
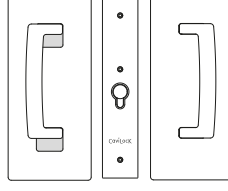
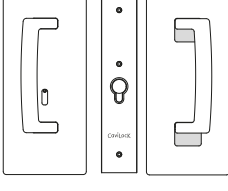
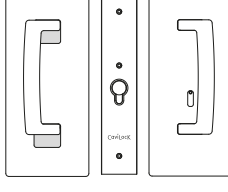
* To comply with NZS4121:2001 the offset handle option must be used. The centre of the handle should be positioned between 900mm and 1200mm (1000mm optimal) above finished floor level. The door needs to be at least 910mm wide (Aust. 1050mm) to allow minimum clear walk through of 760mm (Aust. 850mm). There must be a 45mm clear space from edge of pull handle to the nearest door jamb when the door is both fully open and completely closed. A flat closing jamb is recommended. The supplied 'Down to Lock' label must be positioned as close as possible to the handle. Consult local standards for guidelines relating to the specific project.

Selection Procedure To order, ensure you have the following information ready (See overleaf for codes):

Function	Door thickness	Finish	Handing Configuration																
Single Door	34 - 40 mm	Bright Chrome	Handing must be determined at time of manufacture and cannot be altered on site. See diagram for determining handing of functions.																
Bi-Parting Door	40 - 46 mm	Satin Chrome																	
Passage Non Latching	46 - 52 mm	Oil Rubbed Bronze	<table border="0"> <tr> <td>LH</td> <td></td> <td>RH</td> <td></td> </tr> <tr> <td></td> <td>Blank</td> <td></td> <td>Blank</td> </tr> <tr> <td></td> <td>Snib</td> <td></td> <td>Snib</td> </tr> <tr> <td></td> <td>Emerg.</td> <td></td> <td>Emerg.</td> </tr> </table> Stand looking into the cavity pocket as shown 	LH		RH			Blank		Blank		Snib		Snib		Emerg.		Emerg.
LH		RH																	
	Blank			Blank															
	Snib			Snib															
	Emerg.		Emerg.																
Passage Mag Latching	52 mm +	Satin Nickel																	
Privacy Locking	(Special Order)	Matte Black																	
		(Special Order)																	



Function	Finish	Door Thickness		
		34-40mm	40-46mm	46-52mm
Passage Blank/Blank (Non-latching) 	Bright Chrome	CL406A0025	CL406A0026	CL406A0027
	Satin Chrome	CL406A0125	CL406A0126	CL406A0127
	ORB	CL406A0225	CL406A0226	CL406A0227
	Satin Nickel	CL406A0325	CL406A0326	CL406A0327
	Matte Black	CL406A0425	CL406A0426	CL406A0427
Passage Blank/Blank (Mag latching) 	Bright Chrome	CL406A0028	CL406A0029	CL406A0030
	Satin Chrome	CL406A0128	CL406A0129	CL406A0130
	ORB	CL406A0228	CL406A0229	CL406A0230
	Satin Nickel	CL406A0328	CL406A0329	CL406A0330
	Matte Black	CL406A0428	CL406A0429	CL406A0430

Function	Finish	Door Thickness		
		34-40mm	40-46mm	46-52mm
Privacy Snib/Snib 	Bright Chrome	CL406B0025	CL406B0030	CL406B0035
	Satin Chrome	CL406B0125	CL406B0130	CL406B0135
	ORB	CL406B0225	CL406B0230	CL406B0235
	Satin Nickel	CL406B0325	CL406B0330	CL406B0335
	Matte Black	CL406B0425	CL406B0430	CL406B0435
Privacy Blank/Snib RH 	Bright Chrome	CL406B0026	CL406B0031	CL406B0036
	Satin Chrome	CL406B0126	CL406B0131	CL406B0136
	ORB	CL406B0226	CL406B0231	CL406B0236
	Satin Nickel	CL406B0326	CL406B0331	CL406B0336
	Matte Black	CL406B0426	CL406B0431	CL406B0436
Privacy LH Snib/Blank 	Bright Chrome	CL406B0027	CL406B0032	CL406B0037
	Satin Chrome	CL406B0127	CL406B0132	CL406B0137
	ORB	CL406B0227	CL406B0232	CL406B0237
	Satin Nickel	CL406B0327	CL406B0332	CL406B0337
	Matte Black	CL406B0427	CL406B0432	CL406B0437
Privacy LH Emerg/Snib RH 	Bright Chrome	CL406B0028	CL406B0033	CL406B0038
	Satin Chrome	CL406B0128	CL406B0133	CL406B0138
	ORB	CL406B0228	CL406B0233	CL406B0238
	Satin Nickel	CL406B0328	CL406B0333	CL406B0338
	Matte Black	CL406B0428	CL406B0433	CL406B0438
Privacy LH Snib/Emerg RH 	Bright Chrome	CL406B0029	CL406B0034	CL406B0039
	Satin Chrome	CL406B0129	CL406B0134	CL406B0139
	ORB	CL406B0229	CL406B0234	CL406B0239
	Satin Nickel	CL406B0329	CL406B0334	CL406B0339
	Matte Black	CL406B0429	CL406B0434	CL406B0439

© All copyright and other property in this document is reserved by Cavity Sliders Limited. Details and specifications are subject to change without notice. Whilst all care is taken to ensure the accuracy of all information, no responsibility will be accepted for any errors or omissions. Drawings & pictures are not to scale. All dimensions in millimetres. Colours shown may not accurately represent product. Timber lock blocks shown do not depict actual doors. © CAVILOCK and CL400 MAGNETIC are Registered Trademarks. NZ Patents 733386/628616. AU Patents: 2014298044/2017204461/2015268857. CAVILOCK® CL400® MAGNETIC (O.D. 2013). 60867 - 08.2019

