

The door must be installed and adjusted square to the closing jamb for the handle to close properly onto the striker.

This handle IS NOT handed. Handing is determined at time of fitting by which way round the side handles are fitted to the door.

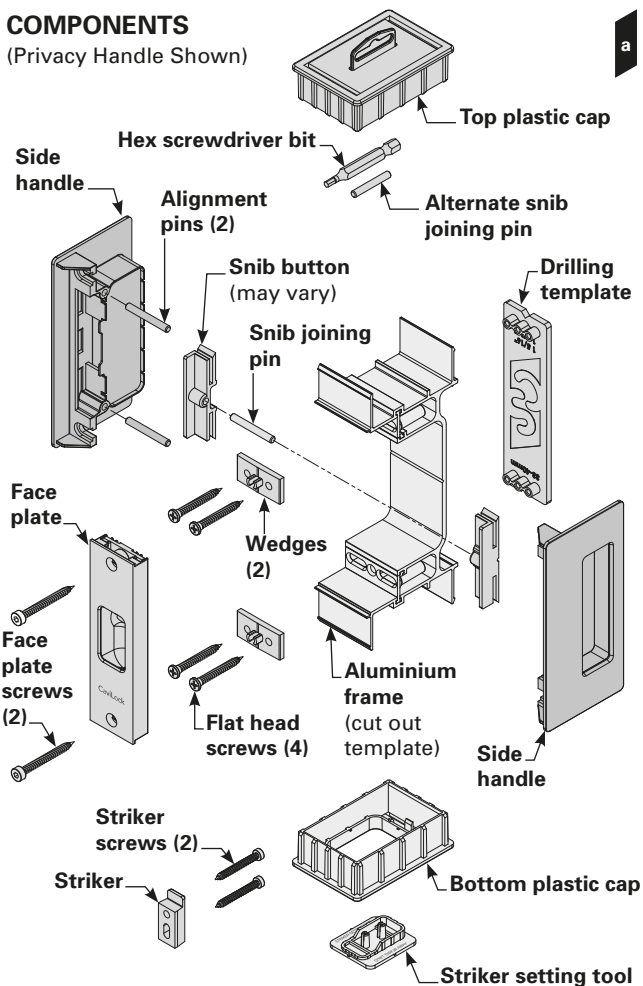
DO NOT throw away the packaging until the handle is fully fitted.

CL200

Installation Instructions for Passage or Privacy Handle

COMPONENTS

(Privacy Handle Shown)



IMPORTANT:

- A. The aluminium frame is used as a template to mark out the door cut out.
- B. The rectangular plastic moulding is used as a drilling template.
- C. The bottom packaging cap has the striker fitted to it (Privacy Handles). The snap out plastic moulding is used to mark the striker position on the closing jamb and to test that the lock functions correctly.

INSTRUCTIONS

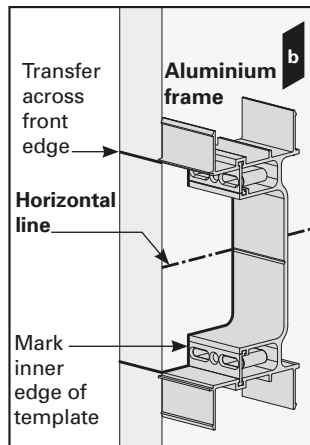
1. Remove handle from packaging

This handle is temporarily screwed to an aluminium frame using the same screws (6 in total) needed to install it to your door. As you remove the handle from the aluminium frame, take note of how it is fitted as you will be fitting it to your door in the reverse order (**diagram a**).

Remove the two face plate screws using a 3.5mm (9/64") hex screwdriver bit (supplied).

Pull the face plate out from between the side handles.

Remove the four remaining screws now visible after removal of the face plate.



2. Cut out door

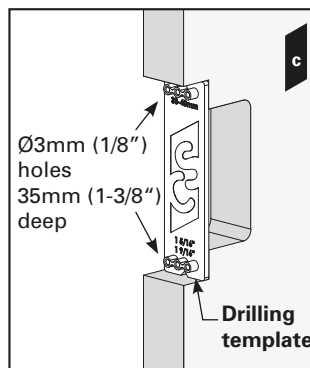
Mark a horizontal line on the face of the door where the centre of the handle is to be positioned (**diagram b**).

Align the centre line on the aluminium frame with the centre line on the door.

Trace around the inside of the aluminium frame as shown. Repeat on the other side of the door.

Transfer top and bottom lines across the front edge of the door.

Cut out the door along the marked lines.



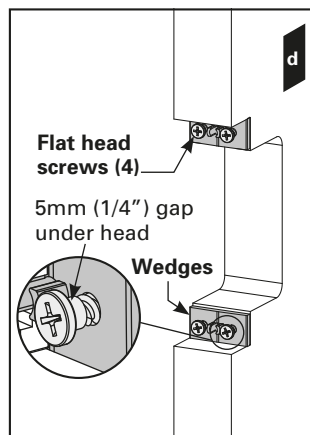
3. Drill fixing holes

Remove the plastic drilling template from the back of the aluminium packaging frame.

Place the template into the rebate with the bosses facing towards you (**diagram c**). Line it up on the centre of the door thickness.

Using a Ø3mm (1/8") drill, spot through all six holes.

Remove the template and drill holes to depth of 35mm (1-3/8").



4. Fit the handle

a) Screw the wedges into the rebates in the door as shown (**diagram d**) using the 4 x flat head screws which were part of the packaging.

DO NOT FULLY TIGHTEN THE SCREWS.

The underside of the screw heads should stop approximately 5mm (1/4") above the top of the wedges.

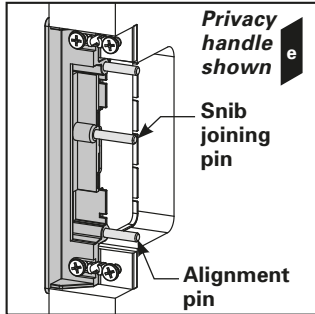
Privacy Handles Only

Check that the correct length snib button joining pin is fitted into the back of the snib button. See **Table 1** for correct pin lengths. Swap with the pin in the top packaging cap if required.

3

Table 1 - Pin Lengths

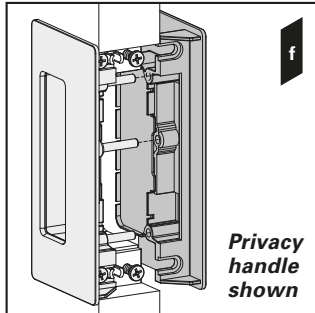
Door Thickness		Alignment Pin Length		Snib Joining Pin Length	
33 - 36mm	1-5/16" to 1-7/16"	31.5mm	1-1/4"	27.5mm	1-1/8"
37 - 40mm	1-1/2" to 1-9/16"	31.5mm	1-1/4"	31.5mm	1-1/4"
40 - 43mm	1-5/8" to 1-11/16"	38.5mm	1-1/2"	34.5mm	1-3/8"
44 - 46mm	1-3/4" to 1-13/16"	38.5mm	1-1/2"	38.5mm	1-1/2"



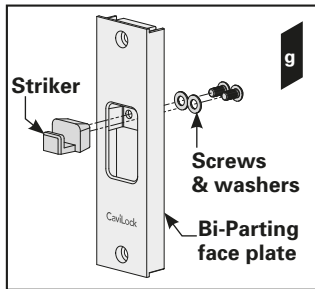
4. Fit the handle

b) Slide one of the side handles under the two screw heads as shown (**diagram e**) checking that you have the correct handing.

While pressing the side handle firmly against the side of the door fully tighten the front screws.



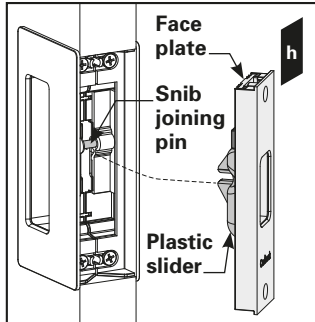
c) Repeat the process with the other side handle, taking care to line up the alignment pins with the two holes in the side handles and the third hole in the snib button (only applies to privacy handles) (**diagram f**).



Bi-Parting Handles Only

Before fitting the face plate you will need to ensure the striker has been fitted.

Use the two screws and washers supplied (**diagram g**).



5. Fit the face plate

With both side handles fully tightened you can now fit the face plate.

The open fork of the plastic slider must slide over the steel snib button pin when fitting the face plate (diagram h).

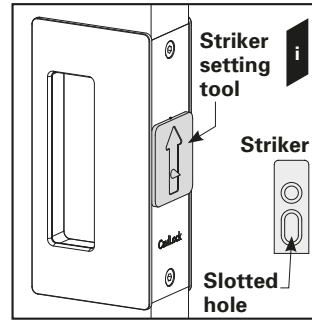
Lift up the snib button so that the joining pin lines up.

Test snib action before fastening the two face plate screws.

6. Fit the striker (Privacy Handles Only)

You will find the steel striker and fixing screws pushed onto a snap out plastic moulding in the bottom packaging cap (**diagram a**). This striker setting tool serves two purposes:

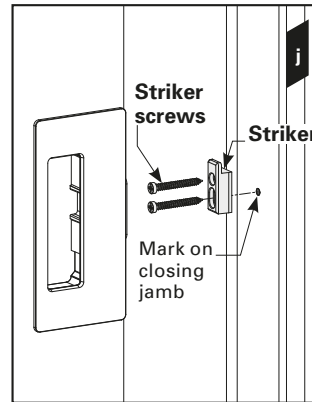
4
PAGE



a) Test or demo the locking function.

Insert the striker setting tool as shown (**diagram i**) into the rectangular finger pull hole in the face plate of the handle.

Hold the template in place and push down on the snib button.



b) Mark fixing screw positions on the closing jamb.

With the striker setting tool still fitted into the face plate, close the door against the timber closing jamb so that the plastic plate makes a small mark on the jamb (**diagram j**).

Use this mark to fit the **bottom** striker screw through the centre of the slotted hole.

Close and latch the door to check the alignment. Adjust if necessary before fitting the top striker screw.

⚠ WARNING: THIS BOX MAY CONTAIN A STRONG MAGNET

IRON FILINGS - Magnets will attract shavings from iron or ferrous metals which may be hard to remove. Keep the face plate a safe distance away from these materials.

DANGER FOR CHILDREN - Magnets may cause serious injury if swallowed. Keep out of reach of children.

CRUSHING, BLISTERS AND CUTS - Fingers may become caught between magnets resulting in crushing, blisters or cuts.

BREAKING OR CHIPPING - It is possible that magnets could chip or shatter on contact, resulting in chips flying off at high speed into someone's eye. Chips can also be very sharp - treat them as you would broken glass.

MAGNETICALLY SENSITIVE ITEMS - Keep a safe distance between the magnet and all objects that can be damaged by magnetism (e.g. mechanical watches, pacemakers, cell phones etc.).

DISPOSAL - Magnets should be disposed of carefully and in accordance with your local regulations.

CaviLock®

Handles & Locks for Sliding Doors

FOR DOORS

Cavity Sliders Ltd
Auckland Head Office

5 - 7 Rakino Way
Mt Wellington
Auckland, NZ
csfordoors.co.nz

CAVILOCK® CL200™ (O.D. 2017) INSTALLATION INSTRUCTIONS.

61258/CL205ZA164 - 07.2018 © Cavity Sliders Ltd.
All copyright and other property in this document is reserved by Cavity Sliders Limited. Details and specifications are subject to change without notice. Whilst all care is taken to ensure the accuracy of all information, no responsibility will be accepted for any errors or omissions. © CS FOR DOORS, CS CAVITY SLIDERS and CAVILOCK are Registered Trademarks. Patents pending.

CavitySliders

cavitysliders.com.au
cavitysliders.com