

10 TOILET AND SHOWER FACILITIES

10.1 General

All accessible toilet facilities shall be provided on an accessible route.

This Standard recognizes two main types of toilet facility:

- (a) Facilities with separate WC cubicles and/or urinals and separate wash hand basins plus an accessible unit with internal handbasins. These are usually gender-specific;
- (b) A toilet facility based on a number of self-contained toilet units each containing at least a water closet and a hand basin. These may be all-gender or gender-specific.

In addition toilets may contain showers and parenting facilities.

10.2 Location

10.2.1

Accessible toilet facilities shall be provided on the main entry level to all buildings. In addition, in multi-storey buildings additional accessible toilets shall be distributed evenly and throughout the building. Alternatively, wherever toilets are provided at least one shall be an accessible toilet.

10.2.2

Accessible toilets shall be provided such that the route to them shall not traverse different tenancies within the building.

10.3 Signs

Accessible toilet facilities shall be sign-posted (refer to 4.8).

10.4 Number of toilets and showers

The number of accessible toilets and showers to be provided shall comply with NZBC G1/AS1. At least one all-gender accessible toilet unit shall be provided that can be reached without going through an area reserved for one gender.

10.5 Design

10.5.1 General

This section defines minimum requirements to produce a desired end result. In some cases there may be alternative ways of achieving this result.

C10.1

The design of toilet and shower facilities is intended to provide for unaided use by a person with a disability.

C10.4

In most buildings with fewer than 300 occupants, one all gender accessible toilet is sufficient. For larger buildings another all gender toilet should be provided but when sanitary facilities are provided in groups of two or more locations, accessible facilities should be provided at each location.

The principle advantage of an all-gender facility is the ability to use the facility accompanied by a helper of the opposite gender. In addition there should be greater utilization of the facility since it is available to all people.

All-gender toilets are recommended in all situations especially in those areas used by the general public (for example shopping areas).

The provision of accessible toilet units and shower units may be individual or in any combination with each other to suit design requirements. It is recommended that combined shower/toilet units be used if a shower is required.

NZS 4241 covers the calculation of the number of toilet units required (including accessible units) in public toilets in general, and is useful for areas outside those defined in NZBC G1/AS1.

C10.5.4

The floor dimensions in the toilet layout shown in this Standard are minimum measurements and may be increased. If nappy changing tables are to be provided then the floor area will need to be increased so that manoeuvring space is not obstructed.

NZS 4241 provides examples of accessible toilet unit floor dimensions that are based on experience and are greater than the minimum requirements. The Standard also gives examples of alternative positioning of toilet fixtures and fittings.

10.5.2 Accessible toilets

Accessible toilets shall be designed to provide manoeuvring space so that people in wheelchairs may use each type of fixture, refer to 10.5.4.

Accessible toilet units allow:

- Use by anyone;
- Increased ease of use because the larger floor area that allows a wheelchair to turn through 360° in one movement;
- Greater utilization of the facility because of the larger size of the unit permits its use as a family/parenting room.

10.5.3 All-gender accessible toilet units

The provision of at least one all-gender accessible toilet unit is a requirement of all toilet facilities.

10.5.4 Dimensions

Accessible toilet units shall have sufficient space to allow wheelchair users to transfer to the toilet pan from the side of the pan; to approach and use the pan from the front; and for use by a commode.

The minimum dimensions of a compartment shall be 1900 mm by 1600 mm (see figure 27).

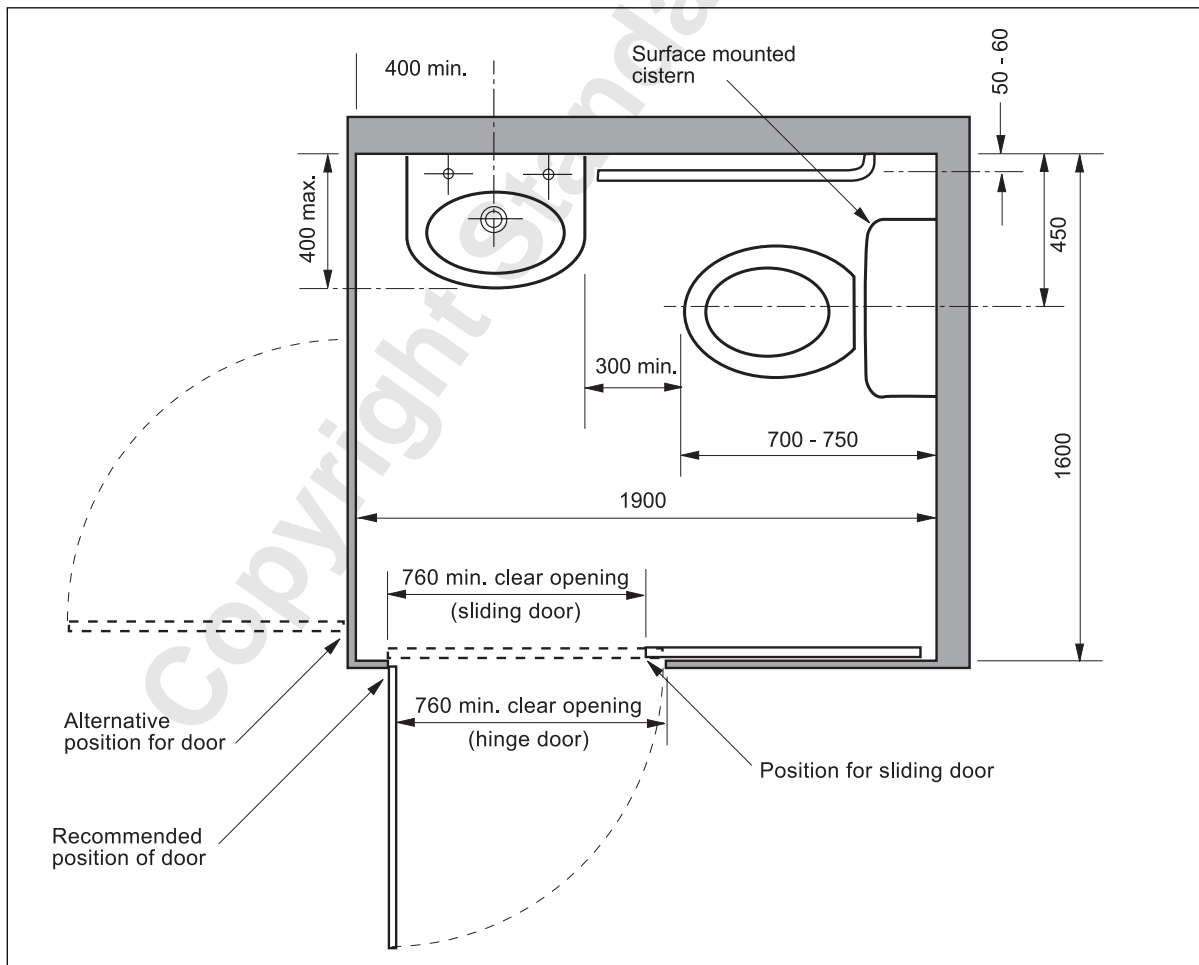


Figure 27 – Accessible toilet units

10.5.5 Toilet doors

All doors serving toilet facilities shall:

- (a) Be provided with a suitable indicator bolt of suitable size and simplicity of operation to be readily usable by those with limited hand movement;
- (b) Be able to be opened from the outside in an emergency;
- (c) Have pull rails and kick plates as shown in figure 28.

C10.5.5

An outward-opening door is preferred. Inward opening doors can only work effectively if there is a turning circle space of 1500 mm diameter beyond the open door.

10.5.6 Toilet pans

If two or more accessible toilet units are provided at least one shall have a pan position of the opposite hand, refer to 3.3.2.

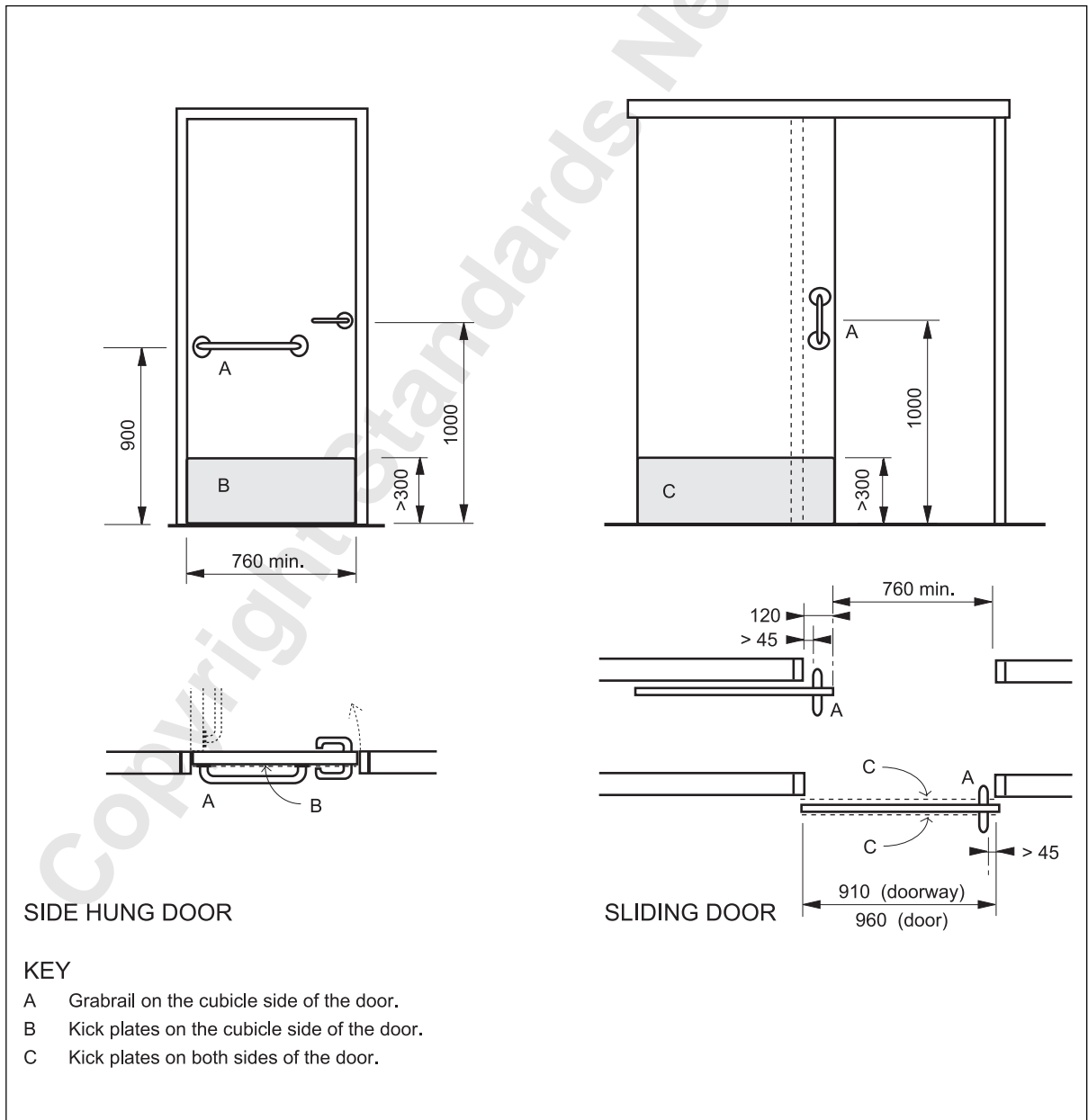


Figure 28 – Grab rails and kick plates on toilet doors

C10.5.6.1

Side-trunked or side-vented toilet pans should be avoided to permit the use of a commode, when required. This applies to any obstructions at the side of the pan.

C10.5.6.3

False wall provides back support.

10.5.6.1 Siting

The toilet pan shall be sited so that:

- (a) The front edge of the toilet seat shall be 700 – 750 mm from the back wall;
- (b) The centre-line distance of the toilet seat from the nearest side-wall shall be 450 mm;
- (c) There is no obstruction at the side of the pan to inhibit the use of a commode;
- (d) There is no obstruction at the back of the pan to inhibit the use of a commode;
- (e) The front edge of the toilet seat is 300 mm minimum from the wash basin except as provided in 10.5.8;
- (f) The toilet lid is supported between 10° and 15° beyond the vertical to provide a backrest for the user.

10.5.6.2 Height

The height of the top surface of the toilet pan seat shall be 460 mm.

10.5.6.3 Wall-hung pans

Wall-hung pans shall be fixed on a false wall (see figure 29) and comply with 10.5.6.1. If there is no false wall, a seat bracket is required.

10.5.6.4 Flushing control

The flushing control shall be easily operable, and positioned as in figure 32.

10.5.7 Urinals

If accessible urinals are to be provided, they shall be constructed without a step and at least one stall shall be fitted with a horizontal grab rail. There shall be a clear space at least 760 mm wide and 1200 mm deep in front of the urinal.

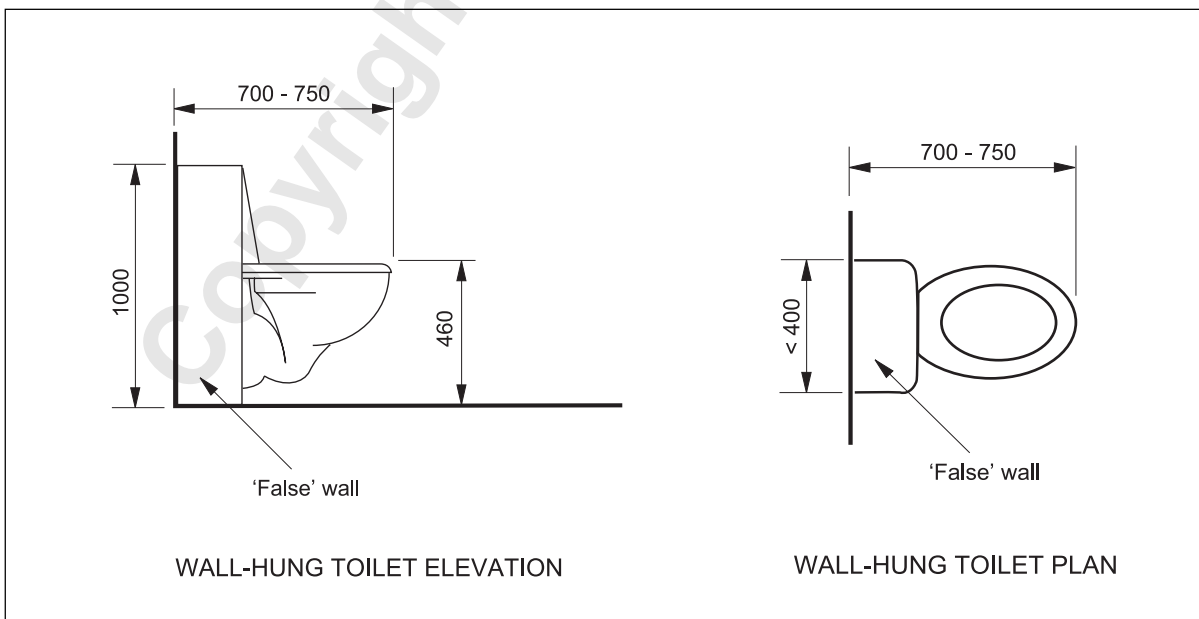


Figure 29 – Wall hung pans

10.5.8 Washbasins

10.5.8.1 Standard washbasin

Standard washbasins, having a maximum depth of 400 mm, shall comply with AS/NZS 1730 and be installed so that:

- The centre line of a washbasin is at least 400 mm from a wall forming a return to the wall on which it is fixed (see figure 27);
- Washbasins shall provide a minimum clearance of 675 mm on the underside as shown in figure 30;
- Water supply pipes and waste outlets do not encroach on the required clear space under the washbasin;
- Exposed hot water pipes are to be insulated or otherwise covered;
- There is a clear space at least 760 mm wide and 1200 mm deep in front of the basin;
- Near to the toilet with its nearest edge 300 mm minimum away from the front of the toilet pan (see figure 27).

10.5.8.2 Provision of water

The washbasin shall be provided with:

- A mixed flow of water delivered through a central outlet;
- A maximum water temperature of 55 °C at delivery point. Refer to G12/AS1.
- All controls at 50 – 60 mm clearance from any obstruction;
- If taps are provided:
 - They shall have lever or capstan handles easily operated by a person with limited hand function;
 - The hot water tap shall be placed to the left of the cold water tap.
- Plugs shall be connected to, or form, part of the washbasin.

C10.5.8.1

In this case a washbasin with rounded corners, or a 'circular' wash basin should be installed so that a wheelchair user can still approach the toilet pan from the front or the pan may be used by a commode.

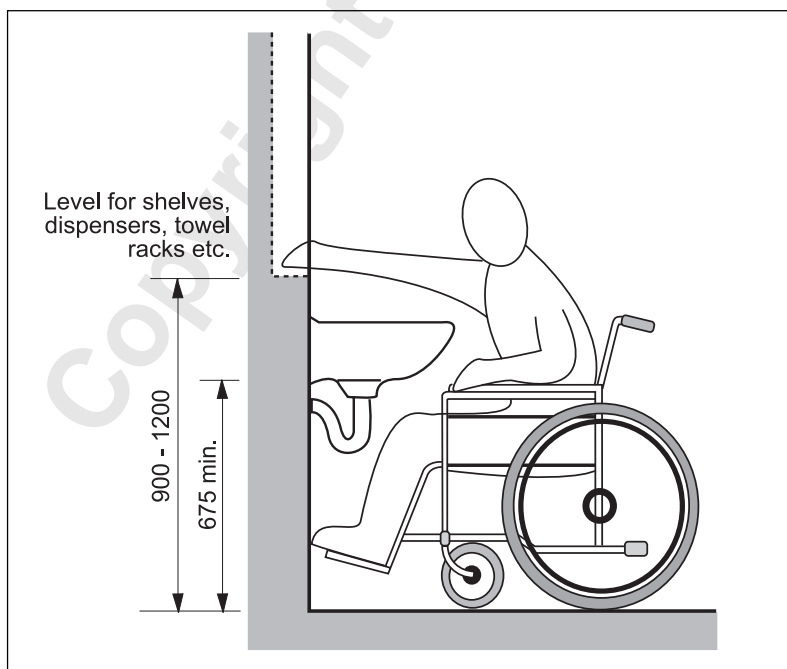


Figure 30 – Location and clearances for washbasins and fittings

10.5.9 Grab rails

Grab rails shall meet the requirements of Appendix F.

10.5.9.1 Location

Pull rails and grab rails shall be installed as shown in figure 28, on doors and figure 31, in toilets.

10.5.10 Toilet facility fittings

Toilet facilities shall include the amenities and fittings required in this Standard.

10.5.10.1 Design

Fittings shall be simple and operable with one hand.

10.5.10.2 Position

The provision of fixed grab rails, toilet paper holders etc. shall be in accordance with figure 31. In addition:

- The toilet paper dispenser and waste sanitary napkin receptacles shall be located within easy reach of a person using the toilet pan;
- Soap dispensers, sanitary towel disposal units, hand-dryers etc. shall be installed at a height between 900 mm and 1200 mm above the finished floor level but shall not encroach into the wheelchair manoeuvring space;
- If a mirror is provided, the lower edge shall be not more than 1000 mm above the finished floor level.

10.5.10.3 Visibility

All fittings shall contrast visually to their background.

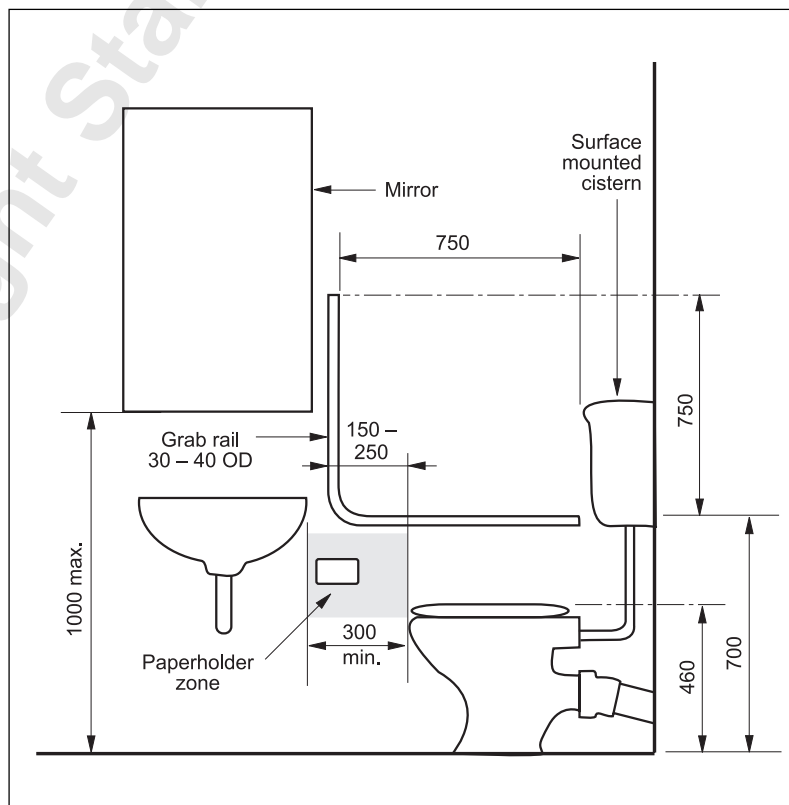


Figure 31 – Toilet unit fittings – positioning of grab rail and paper roll holder

10.5.11 Showers

Where showers are required for staff or public use, a wet-area shower shall be provided for people with disabilities. If two or more shower cubicles are provided, at least one shall have a seat and controls for the opposite hand.

Accessible shower cubicles may be complete in themselves or be part of a combined accessible toilet/shower facility.

10.5.11.1 Size

The minimum area for a shower unit and drying space is shown in figure 33.

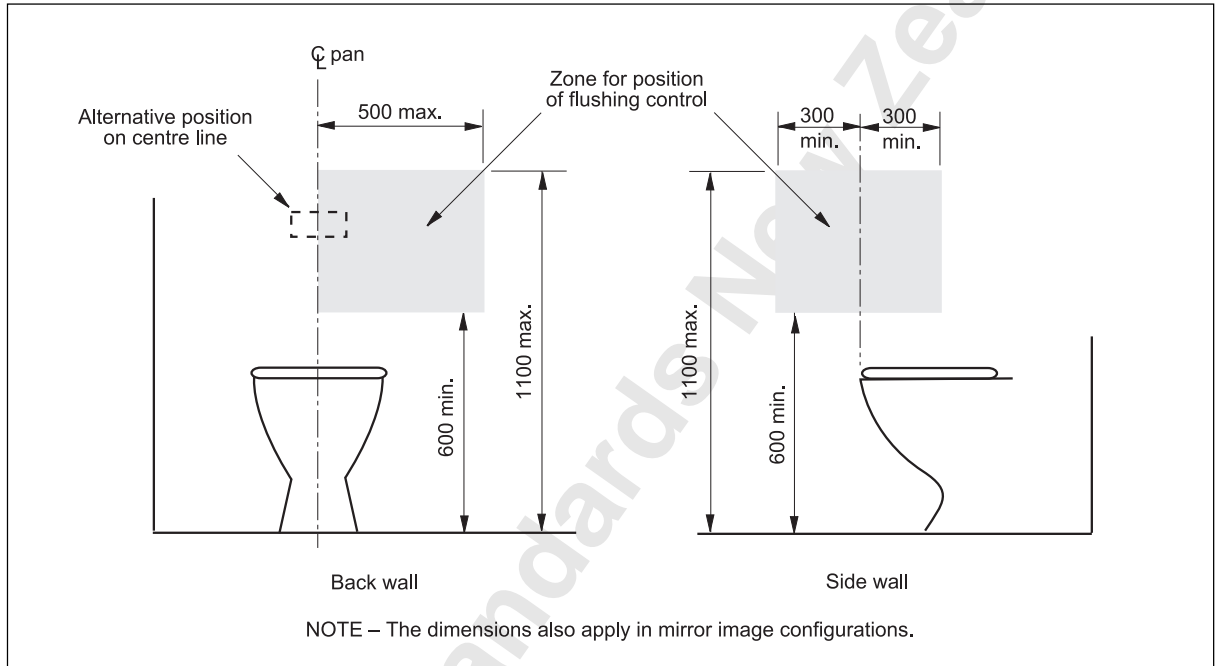


Figure 32 – Toilet unit fittings – zone for position of flushing control

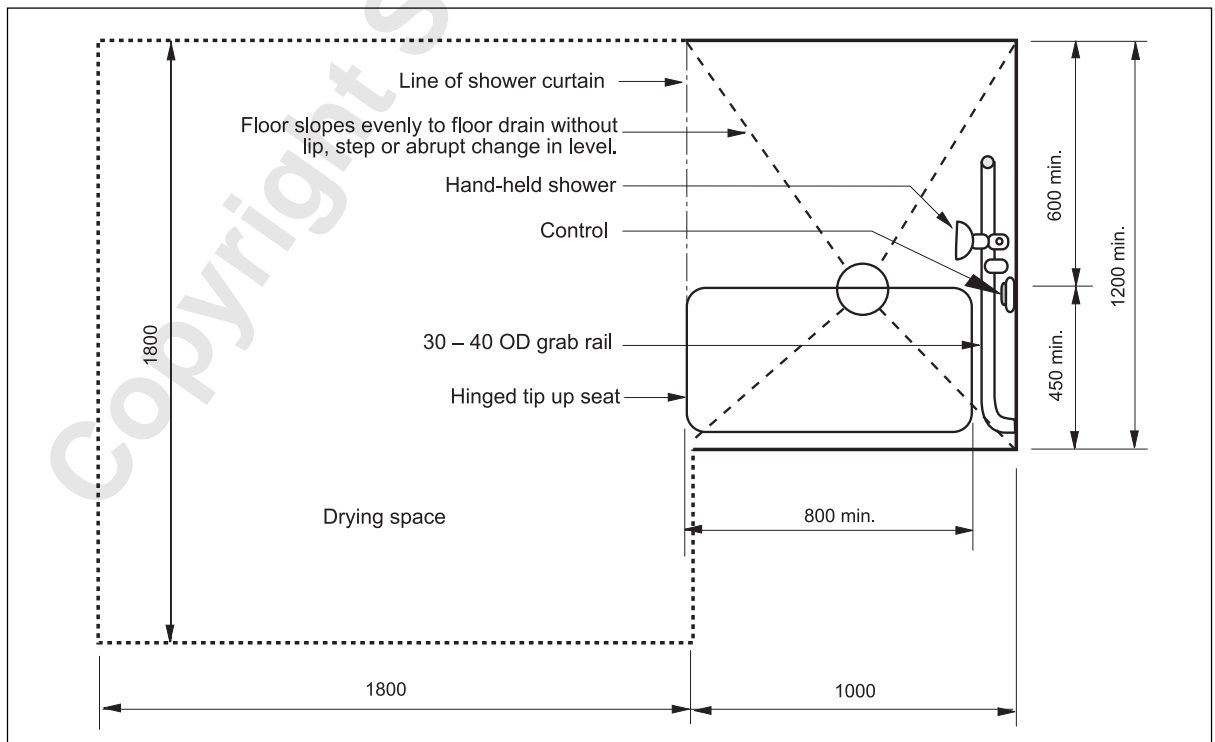


Figure 33 – Minimum space required for a single shower unit

C10.5.11.3

As shown in figure 35, the area for the wet area shower also serves as the space beside the toilet pan for side transfer to the pan.

C10.5.11.3(c)

A grille running inside the wet area is an effective way of reducing spread of water. However, this should not be necessary if the floor area has been properly installed and slopes evenly to floor drain.

C10.5.11.4

A flexible, adjustable hand-held shower hose enables control of the direction of water flow by people of different heights and abilities and allows somebody to assist the user.

10.5.11.2 Design

If the drying space is used for dressing and undressing it shall be separated from the shower.

Walls and partitions enclosing a shower and less than 1800 mm high shall be sufficiently robust to resist the impact of a falling body and shall be of sufficient strength to carry grab rails, refer to Appendix F.

10.5.11.3 Floor

The floor shall:

- (a) Be continuous with that of the shower;
- (b) Have a fall of no less than 1:50 toward the waste situated toward the corner made by the walls, see figure 35. All floor surfaces inside the shower cubicle shall be impervious and slip resistant.
- (c) Have any drainage provided between the shower and drying space, or the provision of a floor-level guide for moveable doors, partitions or shower curtain, flush with the floor.

10.5.11.4 Fittings

Shower cubicles shall have:

- (a) Grab rails, soap holders, and shower controls and fittings fixed in accordance with figure 34;
- (b) A hand-held showerhead attached to a flexible hose installed to enable the user to shower while sitting or standing;
- (c) A fitting shall be provided to allow the showerhead to be attached at various angles and heights between 1000 mm and 1900 mm above the finished floor level (see figure 34);
A combined slide rail/grab rail satisfying the requirements of Appendix F5, F6 and F7 may be acceptable.
- (d) A lever operated mixer shall be provided;
- (e) A water supply where the hot water has a maximum temperature of 55 °C, refer to NZBC G12/AS1;
- (f) A self-draining, slip resistant seat, 800 mm x 450 mm minimum, provided inside the shower cubicle at a height between 450 mm and 550 mm above the finished floor level. This seat shall be securely fixed to the wall and shall be hinged so that it swings or folds out of the way;
- (g) A clothes hanging device shall be fitted, positioned between 1200 mm and 1350 mm above the finished floor level in drying spaces.

These fittings shall be arranged as shown in figure 34:

10.5.12 Combined toilet and shower

Where toilet, hand basin, and shower are combined they shall be provided in accordance with figure 35.

10.5.13 Baths

Baths and combination bath/showers shall not be used as an alternative to showers, but may be provided in addition.

Figure 34 - Shower cubicle fittings

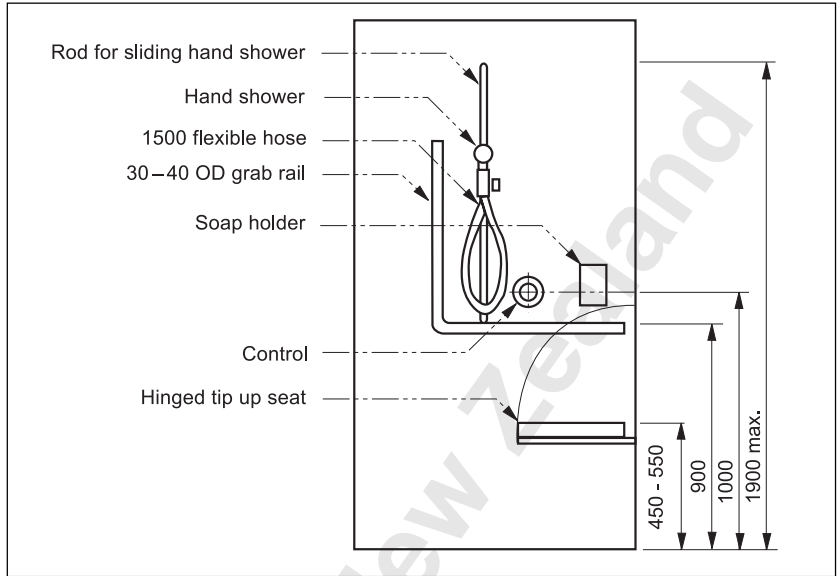


Figure 35 - Combined toilet and shower

