

Specifications Toilet Safety Grab Bar



Features

Material: 304 Stainless Steel

Finish: Satin

Stainless Steel Screws

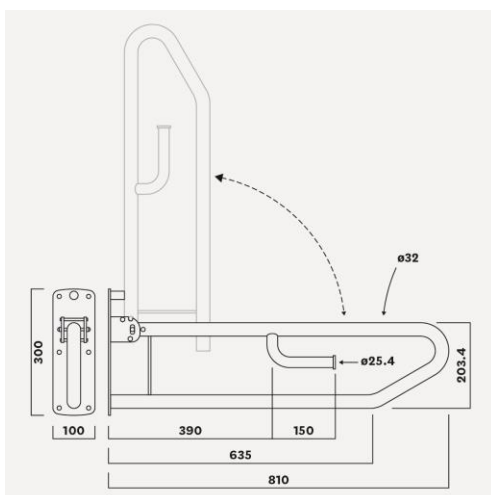
Anti-knock stopper

Universal Left or Right

Built in roll holder

NZS 4121-2001

AS 1428.1-2009



Safety Grab Bars

Code: COM-9X05 810 x 203 Satin

7 Year Warranty on Manufacturing or Material Faults – Domestic installations only
Alexander Mfg reserves the right to change specifications without prior notice