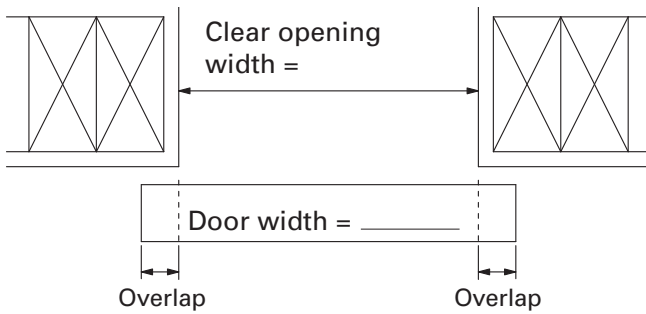


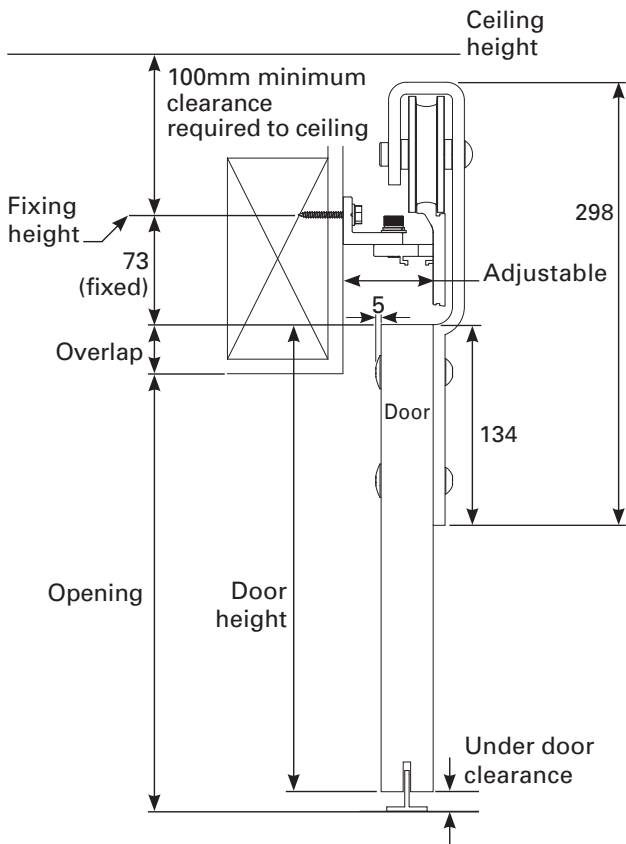
Customer \_\_\_\_\_  
 Rep initials \_\_\_\_\_ Date \_\_\_\_\_  
 Address/contact \_\_\_\_\_  
 Door location \_\_\_\_\_

Door width = \_\_\_\_\_  
 Track length = \_\_\_\_\_  
 Overlap = 50 / 70 / 100

**Single Plan**



**Elevation**



**Only one Door per Form**



**Requires**  
**1x Hanger Pack**  
**(sold separately)**  
**which contains:**  
 2x HANGER BRACKETS  
 2x TRACK STOPS  
 FLOOR GUIDE

**Door Height Calculation**

Opening \_\_\_\_\_  
 + Overlap \_\_\_\_\_  
 Less Under Door clearance \_\_\_\_\_  
 Door Height = \_\_\_\_\_

**Door Width Calculation**

Clear opening \_\_\_\_\_  
 + (2 x overlap) \_\_\_\_\_  
 Door width = \_\_\_\_\_

**Track Length Calculation**

(DW x 2) \_\_\_\_\_  
 + 100mm (fixed) **+100**  
 - overlap \_\_\_\_\_  
 Track length = \_\_\_\_\_

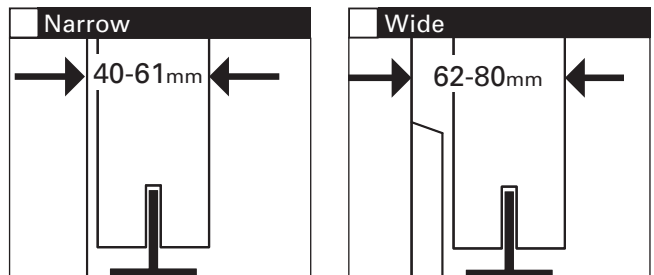
**Fixing Height Calculation**

Door Height \_\_\_\_\_  
 + 73mm (fixed) **+73**  
 + Under Door clearance \_\_\_\_\_  
 Fixing Height = \_\_\_\_\_

**Determine overall thickness**

Track is supplied with either a Narrow or Wide track bracket which can be adjusted to suit an overall thickness of door + gap + architrave of:

**40 - 61mm (Narrow option) or 62 - 80mm (Wide option).**

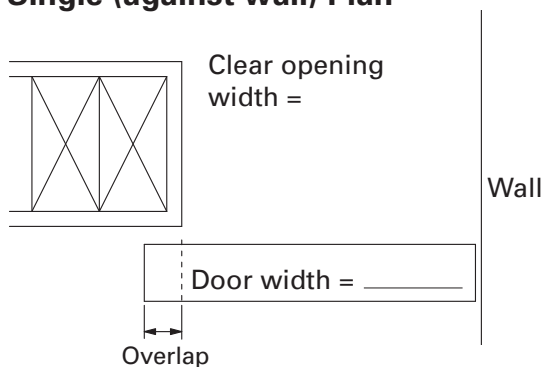


Signed by CS FOR DOORS rep \_\_\_\_\_  
 Rep's contact no. \_\_\_\_\_  
 Signed by (or on behalf of customer) \_\_\_\_\_  
 Print name \_\_\_\_\_

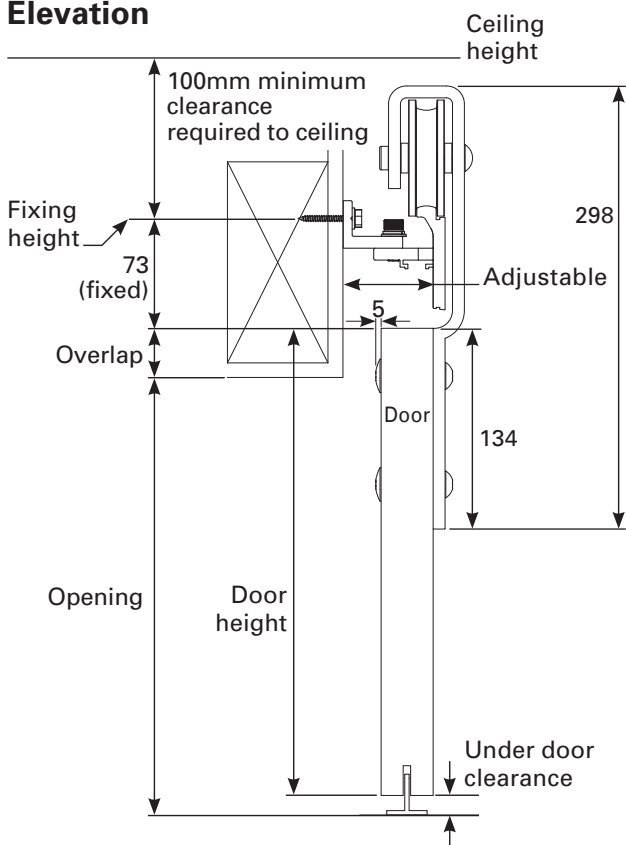
Customer \_\_\_\_\_  
 Rep initials \_\_\_\_\_ Date \_\_\_\_\_  
 Address/contact \_\_\_\_\_  
 Door location \_\_\_\_\_

Door width = \_\_\_\_\_  
 Track length = \_\_\_\_\_  
 Overlap = 50 / 70 / 100

**Single (against wall) Plan**



**Elevation**



**Only one Door per Form**



**Requires**  
**1x Hanger Pack**  
**(sold separately)**  
**which contains:**  
 2x HANGER BRACKETS  
 2x TRACK STOPS  
 FLOOR GUIDE

**Door Height Calculation**

Opening \_\_\_\_\_  
 + Overlap \_\_\_\_\_  
 Less Under Door clearance \_\_\_\_\_  
 Door Height = \_\_\_\_\_

**Door Width Calculation**

Clear opening \_\_\_\_\_  
 + overlap \_\_\_\_\_  
 Door width = \_\_\_\_\_

**Track Length Calculation**

(DW x 2) \_\_\_\_\_  
 + 100mm (fixed) \_\_\_\_\_ **+100**  
 - overlap \_\_\_\_\_  
 Track length = \_\_\_\_\_

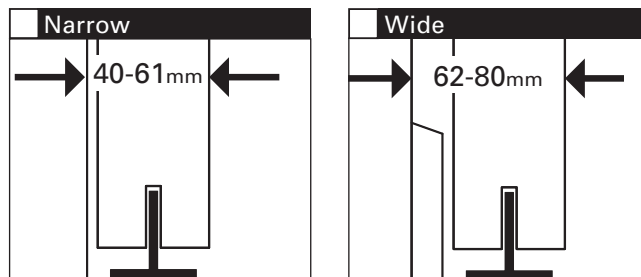
**Fixing Height Calculation**

Door Height \_\_\_\_\_  
 + 73mm (fixed) \_\_\_\_\_ **+73**  
 + Under Door clearance \_\_\_\_\_  
 Fixing Height = \_\_\_\_\_

**Determine overall thickness**

Track is supplied with either a Narrow or Wide track bracket which can be adjusted to suit an overall thickness of door + gap + architrave of:

**40 - 61mm (Narrow option) or 62 - 80mm (Wide option).**

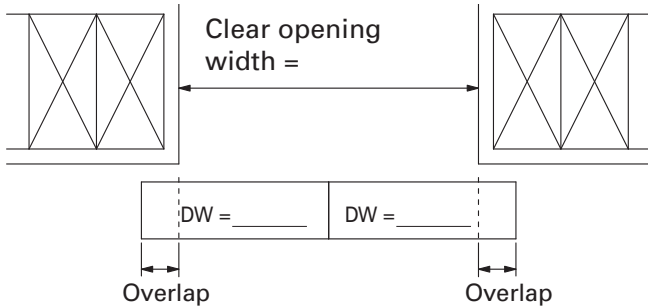


Signed by CS FOR DOORS rep \_\_\_\_\_  
 Rep's contact no. \_\_\_\_\_  
 Signed by (or on behalf of customer) \_\_\_\_\_  
 Print name \_\_\_\_\_

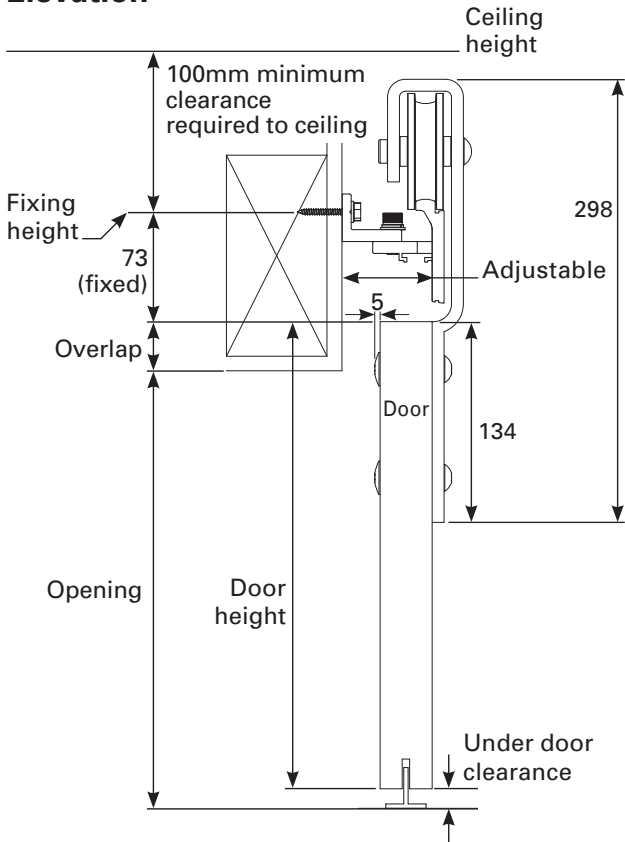
Customer \_\_\_\_\_  
 Rep initials \_\_\_\_\_ Date \_\_\_\_\_  
 Address/contact \_\_\_\_\_  
 Door location \_\_\_\_\_

Door width = \_\_\_\_\_  
 Track length = \_\_\_\_\_  
 Overlap = 50 / 70 / 100

**Bi-Parting Plan**



**Elevation**



**Only one Door per Form**



**CS FOR DOORS**

**Requires**  
**1x Hanger Pack per door (sold separately)**  
**which contains:**  
 2x HANGER BRACKETS  
 2x TRACK STOPS  
 FLOOR GUIDE

**Door Height Calculation**

Opening \_\_\_\_\_  
 + Overlap \_\_\_\_\_  
 Less Under Door clearance \_\_\_\_\_  
 Door Height = \_\_\_\_\_

**Door Width Calculation**

Clear opening \_\_\_\_\_  
 + (2 x overlap) \_\_\_\_\_  
 ÷ 2 \_\_\_\_\_  
 Door width = \_\_\_\_\_

**Track Length Calculation**

(DW x 4) \_\_\_\_\_  
 + 100mm (fixed) **+100**  
 - (2 x overlap) \_\_\_\_\_  
 Track length = \_\_\_\_\_

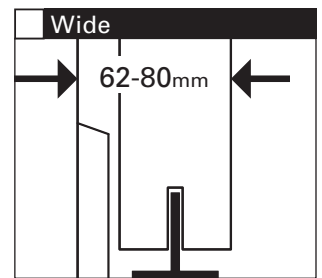
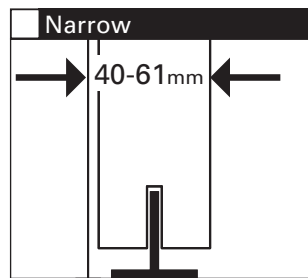
**Fixing Height Calculation**

Door Height \_\_\_\_\_  
 + 73mm (fixed) **+73**  
 + Under Door clearance \_\_\_\_\_  
 Fixing Height = \_\_\_\_\_

**Determine overall thickness**

Track is supplied with either a Narrow or Wide track bracket which can be adjusted to suit an overall thickness of door + gap + architrave of:

**40 - 61mm (Narrow option) or 62 - 80mm (Wide option).**



Signed by CS FOR DOORS rep \_\_\_\_\_  
 Rep's contact no. \_\_\_\_\_  
 Signed by (or on behalf of customer) \_\_\_\_\_  
 Print name \_\_\_\_\_