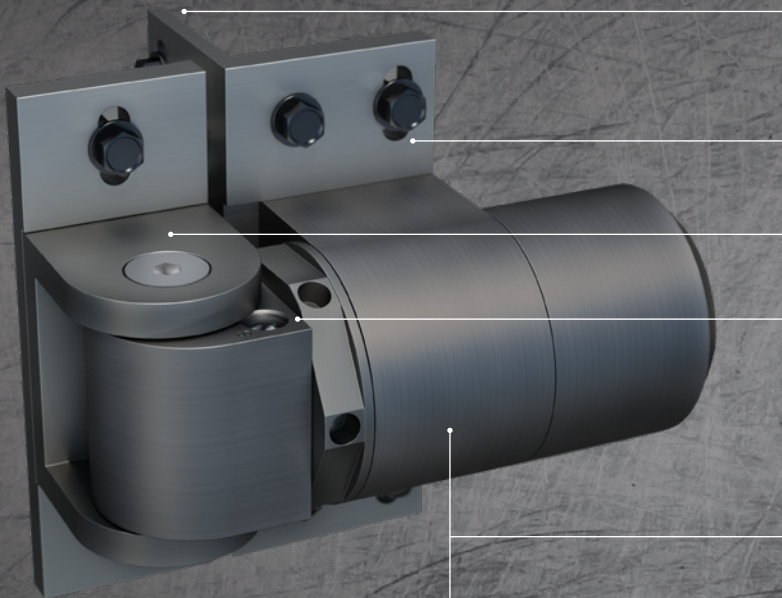
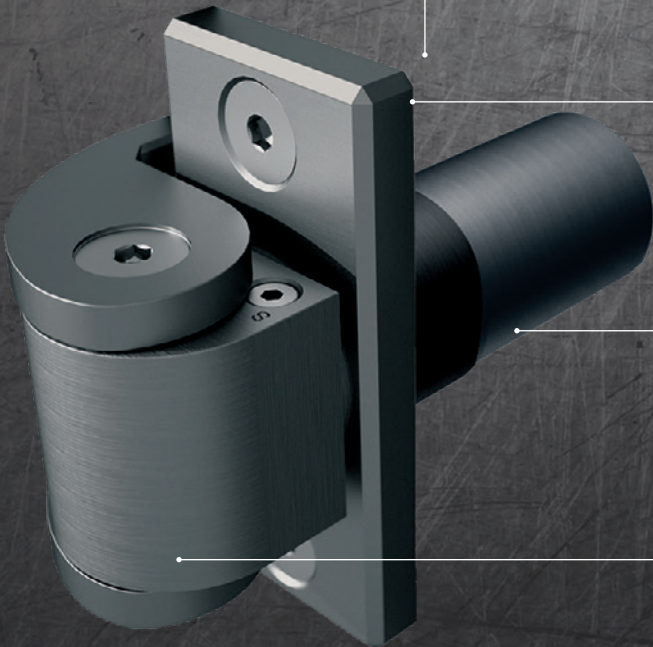




Powerful, hydraulic hinge-closers. Heavy duty and corrosion resistant.



READYFIT model



FLUSH MOUNT model

Quick-fit alignment legs

For ease of installation, alignment and double face-fixing strength.

Vertical alignment slots

Re-align hinge (gate) at any time

Added security

Torx screws that prevent tampering

Multiple adjustment options

- Adjustable self-closing and speed
- Adjustable final snap-close action
- Gate gap horizontal adjustability 1/2" - 1 3/8" (12-35mm)

Superior corrosion resistance

- Steel weld-on models feature high-performance proprietary, non-electrolytic zinc flake coating (no need to grind off before welding)
- Aluminum screw-on models feature 50-micron thick anodized coating

Mounting Brackets:

A variety of gate bracket options to suit virtually any square-post application:

- Steel or Aluminum
- Fastened or Welded
- External, Flush Mount or Center Mount

Powerful, hidden hydraulics

Hydraulics are concealed within the hinge providing controlled, quiet closing in a tamper-resistant, compact design.

No need to ever add fluid.

Dual-Bearing Glide System

Two rows of bearings for consistently superior performance

