



World's most trusted gate hardware

VOLUME 12



ESTABLISHED OVER
28
years



www.ddtechglobal.com

D&D Technologies
World's most trusted gate hardware



D&D Technologies – the world’s leading innovator and manufacturer of premium gate latches, locks and hinges



INNOVATION • QUALITY & VALUE • ADVANCED ENGINEERING & MATERIALS • GLOBAL PARTNERS • VALUE-ADDED CUSTOMER SERVICE & SUPPORT

You know us best as the proud inventors of...

MAGNETIC GATE LATCHES

In the early 1990s D&D invented the MagnaLatch® Child Safety Gate Latch. These super-reliable, magnetically triggered devices revolutionized child safety around swimming pools, childcare centers, homes and businesses. Over 28 years, millions of D&D's MagnaLatches have been installed on gates around the world, assisting in saving countless children's lives and making generations of families safer.

POLYMER GATE HINGES & LATCHES

The immediate success of MagnaLatch® inspired D&D to find a solution to the fencing industry's problem of latches and hinges that would rust, bind and sag. D&D's engineers invented the world's first polymer gate hardware, including the TruClose® range of safety gate hinges and a host of other gate latches. Constructed of engineering polymer and rust-free, stainless-steel components, TruClose® hinges are enthusiastically accepted due to their strength, reliability and ease of adjustment.

GATE CLOSURE – A HINGE & CLOSER ALL-IN-ONE

The introduction of our SureClose® range of hydraulic gate hinges and closers proved a boon to heavy and high-traffic gates. With these sturdy and compact aluminum devices, the fencing industry finally had the dependable gate hinge-closers they were looking for. The result is a stylish range of quality hinge-closers to fit all types of commercial and residential gates.

THE WORLD'S FIRST COMBINED LATCH & ALARM

D&D's latest ground-breaking innovation is the MagnaLatch® ALERT Gate Latch-Alarm. This is the world's first and only combined safety gate latch and alarm. We combined all the best attributes of our award-winning MagnaLatch® with a dual-alarm system (sight and sound alerts) that significantly raises the bar on child and security gate safety. The range offers the highest level of safety and peace-of-mind around pools, homes, childcare centers, schools and businesses.

AWARDS, MEMBERSHIPS & AFFILIATIONS



www.ddtechglobal.com

Contents

Product Selection Guide	
Latches & Locks.....	4
Hinges.....	6
Gate Selection Guide	
Latches, Locks & Hinges.....	30
Latches & Locks	
MagnaLatch® ALERT	8
MagnaLatch® Series 3 TOP PULL, VERTICAL PULL ...	12
MagnaLatch® SIDE PULL	16
T-Latch™	17
LokkLatch® MAGNETIC	18
LokkLatch® DELUXE.....	20
LokkLatch® REGULAR & LokkLatch® ROUND	22
LokkLatch® PRO.SL.....	24
Self-Closing Hinges	
TruClose® Series 3: REGULAR & HEAVY DUTY ...	26
TruClose® MULTI-ADJUST.....	32
TruClose® MINI MULTI-ADJUST.....	33
TruClose® ROUND	34
DecoMold™ ORNAMENTAL.....	35
Hydraulic Closers & Hinges	
SureClose® READYFIT.....	36
SureClose® FLUSH & CENTER MOUNT.....	38
SureClose® EASY	40
KwikFit Hinges	
KwikFit™ ALUMINUM	42
KwikFit™ POLYMER.....	44
Gate Extras (accessories)	
GateStop™	45
GateHandle™	45
Drop Bolts	
LokkBolt®	46
Q-Bolt™	47
Glass Range	
Vizage™ Latches.....	48
Vizage™ Hinge	51
Dimensions	
Specifications & Measurements.....	52

Choosing your latch or lock



Check your latch applications



GATE PRODUCT	GATE MATERIAL	LOCK TYPE/ REKEYABLE	IDEAL GATE GAP	GAP VARIANCE	VERTICAL ADJUSTMENT	LOCKS & OPERATES FROM BOTH SIDES OF THE GATE
MagnaLatch® Series 3 Top Pull & MagnaLatch® ALERT latch-alarm Magnetic child safety gate latch, and deluxe model with electronic visual and audible alarms. Key lockable.	Metal, Wood, Vinyl, Chainlink	6-Pin/Yes	¾" 19mm	½" - 1½" 13-38mm	1 ½" 38mm	No
MagnaLatch® Series 3 Vertical Pull & MagnaLatch® ALERT latch-alarm Magnetic front, side and pet safety gate latch. Deluxe model with visual and audible alarms. Lockable.	Metal, Wood, Vinyl, Chainlink	6-Pin/Yes	¾" 19mm	½" - 1½" 13-38mm	¾" 19mm	No
MagnaLatch® Side Pull Lockable General-purpose magnetic gate latch for many gates around homes and gardens. Key-lockable.	Metal, Wood, Vinyl	Wafer/No	⅜" 10mm	⅝" - 1 1/16" 7-17mm	⅜" 10mm	No
T-Latch® Toggle-style gravity latch with floating latch bolt. Automatically compensates for gate sag.	Metal, Wood, Vinyl	Use Padlock	¾" 19mm	⅜" - 1¾" 10-44mm	½" 13mm	No
LokkLatch® MAGNETIC Magnetic gate lock with one-handed push/pull operation and optional decorative trim covers.	Metal, Wood, Vinyl	6-Pin/Yes	¾" 19mm	⅜" - 1¼" 10-32mm	½" 13mm	Yes
LokkLatch® DELUXE Privacy & Security gate latch that locks and unlocks from both sides of the gate. Can be rekeyed to doors.	Metal, Wood, Vinyl	6-Pin/Yes	1" 25mm	⅝" - 1 ½" 16-38mm	½" 13mm	Yes
LokkLatch® Regular Lockable gravity latch for general-purpose gates around homes and gardens. Wafer keyed.	Metal, Wood, Vinyl	Wafer/No	¾" 19mm	⅜" - 1 ⅜" 10-35mm	1¼ - 2¼" 32-57mm	Yes with External Access Kit (EAK)
LokkLatch® ROUND POST Lockable gravity latch for round-posted gates and fences. Includes adaptors for Chainlink diameters.	Chainlink	Wafer/No	1 ½" 38mm	1 ¼" - 2 ¼" 32-57mm	½" 13mm	Yes
LokkLatch® PRO.SL Security style, spring-triggered gate latch that locks automatically. Requires key to enter and exit.	Metal, Wood, Vinyl	6-Pin/Yes	¾" 19mm	½" - 1 ½" 13-38mm	⅜" 10mm	Yes

*Using Round Post Adaptor Kit. **Check local pool barrier guidelines for proper installation methods. *1 White not available in AU/NZ

METAL	WOOD	VINYL	CHAINLINK	SAFETY GATES	PEDESTRIAN GATES	PRIVACY GATES	DOUBLE DRIVE	AVAILABLE IN WHITE
●	●	●	●*	●**	●		●	
●	●	●	●*	●**	●			
●	●	●		●**	●			●*1
●	●	●			●		●	
●	●	●			●	●	●	
●	●	●			●	●	●	●*1
●	●	●			●		●	●*1
			●		●			
●	●	●			●	●		●*1

SELECTION GUIDE

MAGNALATCH

T-LATCH

LOKKLATCH

TRUCLOSE

SURECLOSE

KWIKFIT

GATE EXTRAS

DROP BOLTS

GLASS RANGE

DIMENSIONS

Choosing your hinges...

TRUClose® The industry's best-performing hinges

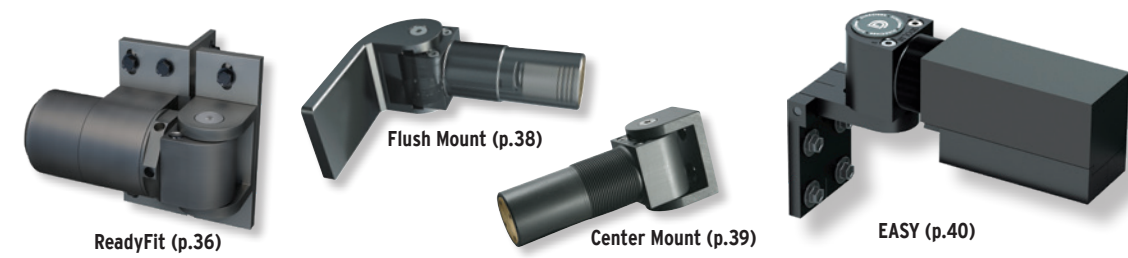


	PRODUCT CODE	TRIM COVER OPTIONS	GATE MATERIAL	IDEAL GATE GAP	GAP VARIANCE	MAXIMUM SELF-CLOSING WEIGHT*	ALIGNMENT LEGS
TRUCLOSE® REGULAR RANGE	TCA1S3	Black, Brushed, Chrome, White	Metal	3/4" 19mm	1 1/32" - 7/8" 9-22mm	66 lb 30kg	Optional
	TCA2S3	Black, Brushed, Chrome	Metal, Wood	3/4" 19mm	1 1/32" - 7/8" 9-22mm	66 lb 30kg	Optional
	TCA3S3	Black, Brushed, Chrome, White	Wood, Vinyl	3/4" 19mm	1 1/32" - 7/8" 9-22mm	66 lb 30kg	Optional
	TCA4	NA	Wood	3/4" 19mm	5/16" - 7/8" 8-22mm	55 lb 25kg	No
	TCAMA1	NA	Metal, Wood, Vinyl	1 1/8" 29mm	7/8" - 1 1/2" 22-38mm	55 lb 25kg	Yes
	TCAMA2	NA	Metal, Wood, Vinyl	1 3/8" 35mm	7/8" - 2" 22-50mm	55 lb 25kg	Yes
	TCAMA2RND	NA	Chainlink	1 3/8" 35mm	7/8" - 2" 22-50mm	55 lb 25kg	Yes
TRUCLOSE® HEAVY DUTY RANGE	TCHD1AS3	Black, Brushed, Chrome, White	Metal	3/4" 19mm	1 1/32" - 1" 9-25mm	154 lb 70kg	Optional
	TCHD1S3	Black, Brushed, Chrome	Metal, Wood, Vinyl	3/4" 19mm	1 1/32" - 1" 9-25mm	154 lb 70kg	Optional
	TCHD2L1SS3	Black, Brushed, Chrome, White	Wood, Vinyl	3/4" 19mm	1 1/32" - 1" 9-25mm	154 lb 70kg	Yes
	TCHD2L2S3	Black, Brushed, Chrome, White	Wood, Vinyl	3/4" 19mm	Fixed at 1 3/16" 21mm	154 lb 70 kg	Yes
	TCHDMA1	NA	Metal, Wood, Vinyl	1" 25mm	5/8" - 1 3/8" 16-35mm	132 lb 60kg	Yes
	TCHDRND1/2	NA	Chainlink	1" 25mm	3/4" - 1 3/8" 19-35mm	132 lb 60kg	Yes

*Ratings are based upon two hinges on a maximum gate size of:
Regular hinges: 5'H x 3'W (1500mmH x 900mmW) , Heavy Duty hinges: 6'H x 4'W (1800mmH x 1200mmW)

Choosing your hinges...

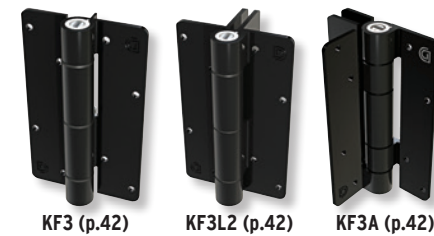
SUREClose® Hydraulic Gate Closers & Hinges



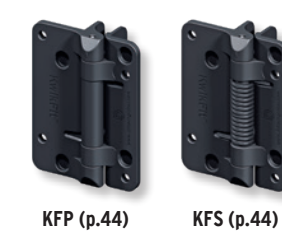
MODEL	INCLUDES HINGES	EXTERNAL OR INTERNAL MOUNT	FLUSH OR CENTER MOUNTED	MOUNTING BRACKETS	FIXING METHOD	MAXIMUM SELF-CLOSING WEIGHT*
ReadyFit	Yes	External	Flush	Aluminum or Steel	Screw-on or Weld-on	260 lb (120kg)
Flush Mount	Yes**	Internal	Flush	Aluminum or Steel	Screw-on or Weld-on	260 lb (120kg)
Center Mount	Yes**	Internal	Center	Aluminum or Steel	Screw-on or Weld-on	260 lb (120kg)
EASY	No	External	Center	Aluminum	Screw-on	180 lb (80kg)

*CAUTION: Based on max gate size 72"H x 40"W (1800x1000mm).
For gates with greater HxW, or if conditions such as wind play a role, use hinge combinations with higher self-closing weight ratings.
**Post mounting brackets sold separately. No fasteners included.

KWIKFit™ ALUMINUM



KWIKFit™ POLYMER



	PRODUCT CODE	GATE MATERIAL	IDEAL GATE GAP	MAXIMUM SELF-CLOSING WEIGHT*	HINGE MATERIAL	COLOR OPTIONS
KWIKFIT™ ALUMINUM	KF3 Alignment ridges, self-closing	Metal	Fixed at 1/2" 13mm	44 lb/20kg	Aluminum	Black, Bronze, White
	KF3L2 2 side fixing legs, self-closing	Metal	Fixed at 1/2" 13mm	44 lb/20kg	Aluminum	Black, Bronze, White
	KF3A Wall or post mount, self-closing	Metal	Fixed at 3/4" 19mm	44 lb/20kg	Aluminum	Black, Bronze, White
KWIKFIT™	KFP No spring, non-self-closing	Metal, Wood, Vinyl	Fixed at 3/4" 19mm	Plain Pivot No spring	Polymer	Black
	KFS Fixed tension, self-closing	Metal, Wood, Vinyl	Fixed at 3/4" 19mm	44 lb/20kg	Polymer	Black

*Ratings are based upon two hinges on a maximum gate size of 5'H x 3'W (1500mmH x 900mmW)



SELECTION GUIDE

MAGNALATCH

T-LATCH

LOKKLATCH

TRUCLOSE

SURECLOSE

KWIKFIT

GATE EXTRAS

DROP BOLTS

GLASS RANGE

DIMENSIONS



SELECTION GUIDE

MAGNALATCH

T-LATCH

LOKKLATCH

TRUCLOSE

SURECLOSE

KWIKFIT

GATE EXTRAS

DROP BOLTS

GLASS RANGE

DIMENSIONS

Application

Childcare & Pool Safety

Ideal Gate Material

Metal, Wood, Vinyl, Chainlink

Dimensions

Page 52

The ultimate in child protection with Safety you can see and hear

NEW Visual "unlatched" alarm

Flashing LED lights give visual notification when the latch is opened or the gate is left unlatched.



NEW Audible "unlatched" alarm

An audible beep upon each entry or exit of a gate. Full alarm sounds only after 15 seconds of a gate being left open or unlatched.



NEW Rekeyable security lock

The 6-pin lock cylinder can be rekeyed, by a locksmith, to match other locks around the home (e.g. front door).



NEW Visible Lock Indicator

A "red-dot" indicator shows at-a-glance whether the latch is locked or unlocked. Simple peace-of-mind.



NEW Optional disarm Feature

The touch-sensor disarm feature allows you to temporarily disarm the ALERT for up to 15 minutes. DO NOT use the disarm feature on pool or safety gates.



NEW Ergonomic lift knob

With its new design, the lift knob is now more conveniently shaped and child resistant than ever.



NEW VISUAL unlatched alarm

NEW AUDIBLE unlatched alarm



Good Design Award



2-YEAR WARRANTY ON ALARM UNIT



MagnaLatch® has set the standard for child safety gate latches for more than 25 years. Millions of families and caregivers worldwide have trusted MagnaLatch® with their children's safety. Now the **MagnaLatch® ALERT** models set entirely new levels of safety and peace-of-mind for gates

around swimming pools, homes, childcare centers, schools and wherever child safety is critical. The ALERT offers dual electronic warnings: bright, flashing LED lights, and an audible alarm that sounds if a gate is left unlatched. Owners and users can see at a glance, and hear from a distance, whenever a gate is not fully secured.

The Top Pull model is ideal for all child and pool safety applications, while the shorter Vertical Pull model offers added security around side, front and pet gates (see over). A single beep upon each entry or exit warns of visitors or intruders. **MagnaLatch® ALERT** is the ultimate gate latch...for when you can't turn your back for a second.

Because you can't turn your back for a second

PRODUCT FEATURES

- World's **ONLY** combined safety gate latch and electronic alarm
- Visual and audible alarms (flashing LEDs & sound alerts)
- Same advanced safety features as the MagnaLatch® 'Series 3'
- Alarms notify if gate is open or not securely latched
- Single alert beep each time gate is entered or exited
- Full alarm mode if gate left open 15 seconds
- Optional: Touch-sensor disarm feature
- Long-life lithium battery included (replacements available)



CODE	COLOR	MODEL FEATURE	IDEAL GAP	GAP VARIANCE
ML3ATP	Black	Top Pull 6-Pin Lock - Keyed Alike + Alarm	3/4" (19mm)	1/2" - 1 1/2" (13-38mm)
ML3ASB	N/A	Replacement 3.6 volt 1/2 AA battery		
ML3SKLA	N/A	Replacement Lockwood Key (Australian)		
ML3SKKA	N/A	Replacement KwikSet Key (US)		



Application	Safety & Security
Gate Material	Metal, Wood, Vinyl, Chainlink
Dimensions	Page 52

Security latch for front & side gates – Protection for family & pets

NEW VISUAL unlatched alarm

NEW AUDIBLE unlatched alarm



- NEW Visual "unlatched" alarm**
Single security alert beep & flashing light on each gate entry & exit to warn of intruders or danger to family or pets.
- NEW Audible "unlatched" alarm**
Hear from a distance if a gate is opened or left unlatched. After 15 seconds, opened gate beep alerts will turn to full alarm mode.
- NEW Rekeyable security lock**
The 6-pin lock cylinder can be rekeyed, by a locksmith, to match other locks around the home.
- NEW Visible lock Indicator**
Shows you at-a-glance whether MagnaLatch® is locked or unlocked. Simple peace-of-mind.
- NEW Optional disarm feature**
The touch-sensor disarm feature allows you to temporarily disarm the ALERT for up to 15 minutes. DO NOT use the disarm feature on pool or safety gates.

Good Design Award

Australian Design Award

LIFETIME WARRANTY
2-YEAR WARRANTY ON ALARM UNIT



New MagnaLatch® ALERT 'Vertical Pull' now offers an entirely new line of business for fencing contractors. Being the world's **first and only combined gate latch and electronic alarm** system it is now the ideal latch-alarm for front, side, perimeter and pet gates around the home.

When you install this latch you are also installing a "security" gate alarm, with no need for electricians, wiring or special tools!

All **ALERT** models feature dual, built-in alarms that notify whenever a gate is opened or left unlatched. They feature flashing LEDs and an audible alarm so that you can see at a glance, and hear from a distance, whenever a gate is not fully secured.

A single beep is heard upon each opening of the gate. This notifies whenever family, friends or intruders enter or exit. If the gate is left open for 10 seconds a second beep will be heard. Only after 15 seconds of the gate being left unlatched will the audible alarm begin to ramp up.

MagnaLatch® ALERT models feature all the regular MagnaLatch® features, including reliable magnetic latching, key lockable security and a Locked/Unlocked visual indicator.

MagnaLatch® ALERT Vertical Pull. Notices of family, friends or intruders.

PRODUCT FEATURES

- World's **ONLY** combined gate latch and electronic alarm
- Single alert beep each time gate is entered/exited
- Same advanced safety features as MagnaLatch® 'Series 3'
- Visual and audible alarms (flashing LEDs & sound alerts)
- Alarms notify if gate is open or not securely latched
- Full alarm mode if gate left open 15 seconds
- Long-life lithium battery included



CODE	COLOR	MODEL FEATURE	IDEAL GAP	GAP VARIANCE
ML3AVP	Black	Vertical Pull 6-Pin Lock - Keyed Alike + Alarm	3/4" (19mm)	1/2" - 1 1/2" (13-38mm)
ML3ASB	N/A	Replacement 3.6 volt 1/2 AA battery		
ML3SKLA	N/A	Replacement Lockwood Key (Australian)		
ML3SKKA	N/A	Replacement KwikSet Key (US)		

SELECTION GUIDE

MAGNALATCH

T-LATCH

LOKKLATCH

TRUCLOSE

SURECLOSE

KWIKFIT

GATE EXTRAS

DROP BOLTS

GLASS RANGE

DIMENSIONS

SERIES 3

Application

Residential safety/security

Ideal Gate Material

Metal, Vinyl, Wood, Chainlink

Dimensions

Page 52



World's #1 Magnetic Child Safety Latch for over 25 years

Innovative magnetic technology that will not fail on closing



PRODUCT FEATURES

- Improved, stylish "Series 3" design
- Industry-leading magnetic latching technology
- Visual indicator provides Locked/Unlocked status
- 6-pin lock for higher security (rekeyable)
- Vertical and horizontal adjustment
- Lift knob is more ergonomic and child resistant
- Indicator marks tell you if adjustment is required

CODE	COLOR	MODEL FEATURE	IDEAL GAP	GAP VARIANCE
ML3TP	Black	Top Pull 6-Pin Lock - Keyed Alike	3/4" (19mm)	3/8" - 1 1/8" (10-35mm)
ML3SKLA	N/A	Replacement Lockwood Key (Australian)		
ML3SKKA	N/A	Replacement KwikSet Key (US)		

Industry-leading safety features of the Series 3

 <p>Safer, ergonomic lift knob New design more conveniently shaped and child resistant than ever</p>	 <p>Visible Lock Indicator Shows you, at-a-glance, whether MagnaLatch® is locked or unlocked</p>	  <p>Rekeyable Security Lock The 6-pin lock can be rekeyed to match other locks (doors around the home)</p>	 <p>Product traceability Superior quality manufacturing and responsible product tracking</p>	 <p>T-track innovation Offers superior fixing strength and unsurpassed reliability</p>
 <p>Built-in post cap spacing No need for separate post cap spacers</p>	 <p>Permanent magnet are sealed from the elements to prevent failure</p>	 <p>Most intraday movement allowance in the industry</p>	 <p>Improved drainage in latch & striker Sloping features channel water out</p>	 <p>Vertical & horizontal alignment indicators help identify when adjustment is required</p>



SELECTION GUIDE

MAGNALATCH

T-LATCH

LOKKLATCH

TRUCLOSE

SURECLOSE

KWIKFIT

GATE EXTRAS

DROP BOLTS

GLASS RANGE

DIMENSIONS

SERIES 3

Application

Residential Commercial

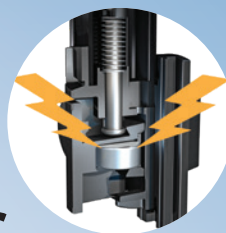
Ideal Gate Material

Metal, Wood, Vinyl, Chainlink

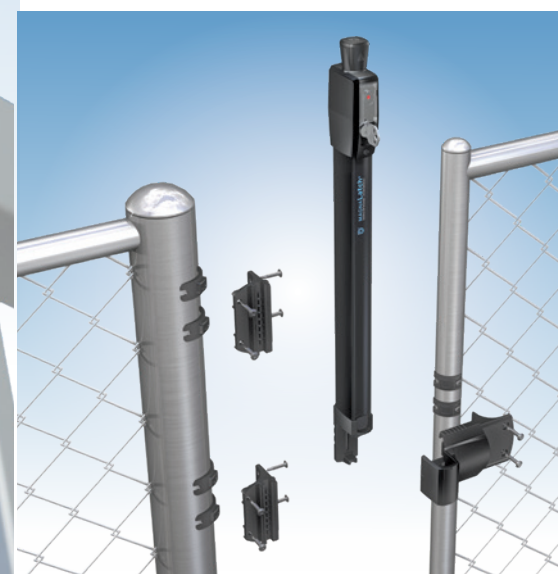
Dimensions

Page 52

Industry leading magnetic technology for reliable latching



Shorter 'Vertical Pull' model is the ideal latch for pet and side gates



ML3RPK - Round Post Adaptor Kit for all "Series 3" Top Pull and Vertical Pull latch models. Specifications page 53.

PRODUCT FEATURES

- Improved, stylish "Series 3" design
- Industry leading magnetic latching technology
- Lift knob is more ergonomic and child resistant
- Visual indicator provides Locked/Unlocked status
- 6-pin lock for higher security (rekeyable)
- Vertical and horizontal adjustment
- Indicator marks tell you if adjustment is needed

CODE	COLOR	MODEL FEATURE	IDEAL GAP	GAP VARIANCE
ML3VP	Black	Vertical Pull 6-Pin Lock - Keyed Alike	3/4" (19mm)	3/8" - 1 3/8" (10-35mm)
ML3RPK	Black	ML3 Round Post Adaptor Kit	1 1/2" (38mm)	1 1/4" - 2 1/4" (32-57mm)
ML3SKLA	N/A	Replacement Lockwood Key (Australian)		
ML3SKKA	N/A	Replacement KwikSet Key (US)		



SELECTION GUIDE

MAGNALATCH

T-LATCH

LOKKLATCH

TRUCLOSE

SURECLOSE

KWIKFIT

GATE EXTRAS

DROP BOLTS

GLASS RANGE

DIMENSIONS



SELECTION GUIDE

MAGNALATCH

T-LATCH

LOKKLATCH

TRUCLOSE

SURECLOSE

KWIKFIT

GATE EXTRAS

DROP BOLTS

GLASS RANGE

DIMENSIONS

Application

Residential gates

Ideal Gate Material

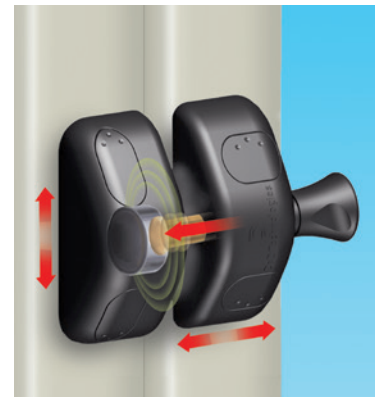
Metal, Wood, Vinyl

Dimensions

Page 53

SIDE PULL MODEL

Lockable and non-locking versions for many applications. Easily replace existing non-lockable latches on glass swimming pool gates for added security – same hole locations. Simply remove nuts, remove old latch and replace.



Easy horizontal and vertical adjustment at any time helps overcome gate sag or ground movement.

PRODUCT FEATURES

- Same reliable magnetic latching as other MagnaLatch[®] models
- Available with or without lock cylinder
- Model for glass pool gates available
- Vertical & horizontal adjustment
- Stylish dress caps (no visible fasteners)
- Small & unobtrusive - easy to install
- Will not rust or corrode

CODE	COLOR	MODEL/FEATURE	IDEAL GAP	GAP VARIANCE
MLSPS2L	Black	Key Lockable Side Pull	3/8" (10mm)	5/16" - 11/16" (7-17mm)
MLSPS2	Black	Side Pull	3/8" (10mm)	5/16" - 11/16" (7-17mm)

For glass-mounted models see page 48.



Application

Residential security

Ideal Gate Material

Metal, Wood, Vinyl

Dimensions

Page 53

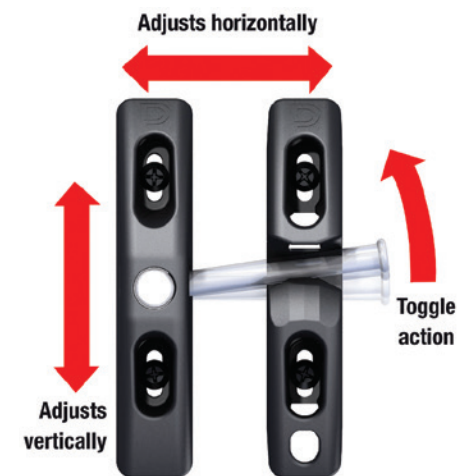
PRODUCT FEATURES

- Toggle action automatically compensates for any gate sag
- Fits all square posts & gate frames
- Adjusts vertically and horizontally
- Padlockable, with padlock storage feature
- Ultra-tough polymer body
- Stainless steel latch bolt

CODE	COLOR	MODEL/FEATURE	IDEAL GAP	GAP VARIANCE
TL01	Black	Padlockable latch	1" (25mm)	3/8" - 13/4" (10-44mm)



Padlock storage feature



LOCKED POSITION (padlock not included)

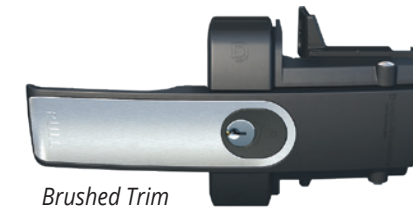




- Application**
Residential security
- Ideal Gate Material**
Metal, Wood, Vinyl
- Dimensions**
Page 54



It's a lock. It's a latch. It's magnetic.



PRODUCT FEATURES

- Operates and locks from both sides of the gate
- Proven D&D-patented magnetic latching
- Black trim covers included (metallic options)
- No visible fasteners (clean, modern finish)
- Keyed-alike or keyed different
- Dual 6-pin rekeyable locks
- Vertical & horizontal adjustment
- Fits fence posts 1½"-6" (38-150mm) deep

CODE	COLOR	TRIM FINISH	IDEAL GAP	GAP VARIANCE
LLM*BT	Black	Black	¾" (19mm)	⅜" - 1¼" (10-32mm)
LLM*CT	Black	Chrome	¾" (19mm)	⅜" - 1¼" (10-32mm)
LLM*ST	Black	Brushed	¾" (19mm)	⅜" - 1¼" (10-32mm)

*NOTE: Insert "A" for keyed alike or "D" for keyed different.



SELECTION GUIDE

MAGNALATCH

T-LATCH

LOKKLATCH

TRUCLOSE

SURECLOSE

KWIKFIT

GATE EXTRAS

DROP BOLTS

GLASS RANGE

DIMENSIONS





Application
Privacy and security

Ideal Gate Material
Metal, Wood, Vinyl

Dimensions
Page 54



HEAVY DUTY

External Access Push Button

Quick and easy installation. Requires only one drilled hole.

Locks and operates from both sides of the gate



The ultimate, key-lockable gate latch!



PRODUCT FEATURES

- Operates & locks from both sides of gate
- Dual 6-pin rekeyable locks
- Keyed-alike or keyed different
- Easy installation: drill only one hole through post
- Vertically & horizontally adjustable
- Super-strong engineered polymers
- 316 marine-grade stainless steel components
- Fits fence posts 1 1/2"-6" (38-150mm) deep

CODE	COLOR	KEYED	GATE MATERIAL	IDEAL GAP	GAP VARIANCE
LLDAB	Black, White	Different	Metal, Wood, Vinyl	1" (25mm)	3/8" - 1 1/2" (16-38mm)
LLDAB-A	Black, White	Alike	Metal, Wood, Vinyl	1" (25mm)	3/8" - 1 1/2" (16-38mm)



SELECTION GUIDE

- MAGNALATCH
- T-LATCH
- LOKKLATCH**
- TRUCLOSE
- SURECLOSE
- KWIKFIT
- GATE EXTRAS
- DROP BOLTS
- GLASS RANGE
- DIMENSIONS



SELECTION GUIDE

MAGNALATCH

T-LATCH

LOKKLATCH

TRUCLOSE

SURECLOSE

KWIKFIT

GATE EXTRAS

DROP BOLTS

GLASS RANGE

DIMENSIONS

Application
Square posts & Chainlink

Ideal Gate Material
Metal, Wood, Vinyl, Chainlink

Dimensions
Page 54



316 marine grade stainless steel components will not rust

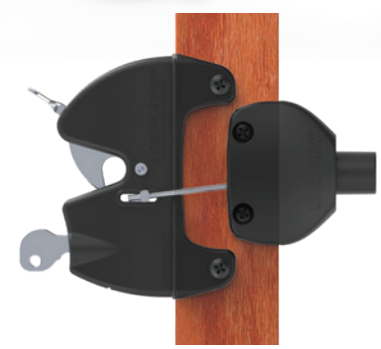
Adjusts easily to allow for gate sag

LokkLatch® models are all keyed alike



PRODUCT FEATURES

- High-tech, stylish design
- Key lockable - No need for padlock
- External Access Kit (optional) allows for operation from both sides of gate
- Vertical & horizontal adjustment
- Quick and easy to install
- Won't rust or corrode
- Round post model fits most Chainlink diameters



CODE	FEATURE	COLOR	GATE MATERIAL	IDEAL GAP	GAP VARIANCE
LLAA	Latch only	Black, White	Metal, Wood, Vinyl	3/4" (19mm)	3/8" - 1 1/2" (10-38mm)
LLB	EAK only	Black, White	Metal, Wood, Vinyl	-	-
LLAAB	Latch + EAK	Black, White	Metal, Wood, Vinyl	3/4" (19mm)	3/8" - 1 1/2" (10-38mm)
LLABRND	Round Post Latch + EAK	Black	Chainlink	1 1/2" (38mm)	1 1/4" - 2 1/4" (32-57mm)



See page 54 for gate and post dimensions.



SELECTION GUIDE

MAGNALATCH

T-LATCH

LOKKLATCH

TRUCLOSE

SURECLOSE

KWIKFIT

GATE EXTRAS

DROP BOLTS

GLASS RANGE

DIMENSIONS

- Application**
Residential & Commercial
- Ideal Gate Material**
Metal, Wood, Vinyl
- Dimensions**
Page 55



Self-locking security

PRODUCT FEATURES

- Self-locking: automatically locks when gate closes
- Requires key to enter and exit
- Operates from both sides of gate
- Dual 6-pin rekeyable locks
- Fits fence posts up to 6" (150mm) deep
- Vertically & horizontally adjustable
- Super strong engineered polymer
- 316 marine grade stainless steel components



Vinyl model with wider side-fixing legs

CODE	COLOR	KEYED	GATE MATERIAL	IDEAL GAP	GAP VARIANCE
LLP1S	Black, White	Different	Metal, Wood	3/4" (19mm)	1/2" - 1 1/2" (13-38mm)
LLP1S-SA	Black	Alike	Metal, Wood	3/4" (19mm)	1/2" - 1 1/2" (13-38mm)
LLP2S	Black	Different	Vinyl	3/4" (19mm)	1/2" - 1 1/2" (13-38mm)
LLP2S-SA	Black	Alike	Vinyl	3/4" (19mm)	1/2" - 1 1/2" (13-38mm)





SELECTION GUIDE

MAGNALATCH

T-LATCH

LOKKLATCH

TRUCLOSE

SURECLOSE

KWIKFIT

GATE EXTRAS

DROP BOLTS

GLASS RANGE

DIMENSIONS

Application

Residential & Pool Safety

Ideal Gate Material

Metal, Wood, Vinyl

Max Self-closing weight

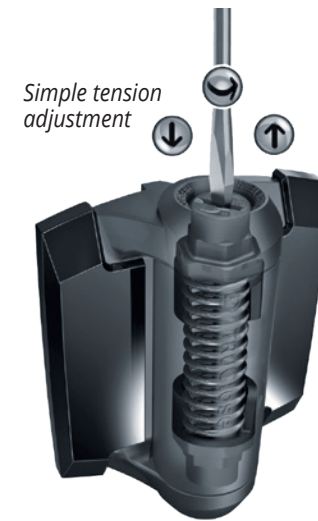
66 lb • 30 kg

Dimensions

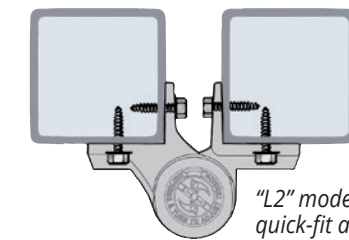
Page 55



Simple tension adjustment from either end



Simple tension adjustment



"L2" models have quick-fit alignment legs for fast installation and added fixing strength.

PRODUCT FEATURES

- D&D-patented tension adjustment
- Won't rust, bind, sag or stain
- Adjust tension from either end (tension adjustment is always facing up)
- UV-stabilized, super-strong engineered polymer (self-lubricating durability)
- Internal stainless steel closing spring
- Increased performance over previous models
- Decorative trim covers included - no visible fasteners
- Trim covers to co-ordinate with LokkLatch® MAGNETIC
- Regular Range self-closes gates up to 66 lb (30kg)

DECORATIVE TRIM COVERS:



TruClose® Hinge Safety Cap
Optional. Helps prevent toddlers from using bottom hinge as a climbing foothold. CODE: TCACAPS3



TCA1S3



TCA2S3



TCA3S3

CODE	TRIM FINISH	GATE MATERIAL	SIDE LEGS	IDEAL GATE GAP	GAP VARIANCE	SOLD AS
TCA1S3BT	Black	Metal	-	¾" (19mm)	1½" - 7/8" (9-22mm)	1 Pair
TCA1S3CT	Chrome	Metal	-	¾" (19mm)	1½" - 7/8" (9-22mm)	1 Pair
TCA1S3ST	Brushed	Metal	-	¾" (19mm)	1½" - 7/8" (9-22mm)	1 Pair
TCA1S3WT	White	Metal	-	¾" (19mm)	1½" - 7/8" (9-22mm)	1 Pair
TCA1L2S3BT	Black	Metal	2 Legs	Fixed at ¾" (19mm)	-	1 Pair
TCA1L2S3CT	Chrome	Metal	2 Legs	Fixed at ¾" (19mm)	-	1 Pair
TCA1L2S3ST	Brushed	Metal	2 Legs	Fixed at ¾" (19mm)	-	1 Pair
TCA1L2S3WT	White	Metal	2 Legs	Fixed at ¾" (19mm)	-	1 Pair
TCA2S3BT	Black	Metal/Wood	-	¾" (19mm)	1½" - 7/8" (9-22mm)	1 Pair
TCA2L2S3BT	Black	Metal/Wood	2 Legs	Fixed at ¾" (19mm)	-	1 Pair
TCA3S3BT	Black	Vinyl/Wood	-	¾" (19mm)	1½" - 7/8" (9-22mm)	1 Pair
TCA3L2S3BT	Black	Vinyl/Wood	2 Legs	Fixed at ¾" (19mm)	-	1 Pair
TCA3L2S3WT	White	Vinyl/Wood	2 Legs	Fixed at ¾" (19mm)	-	1 Pair
TCACAPS3	Black	Safety Cap	-	-	-	1 Each



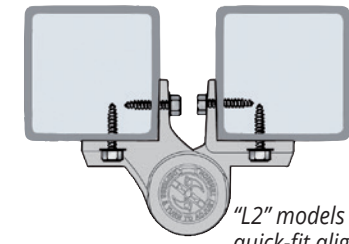
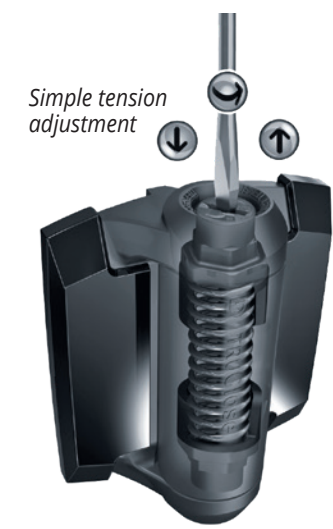


- Application**
Larger, heavier safety gates
- Ideal Gate Material**
Metal, Wood, Vinyl
- Max self-closing weight**
154 lb • 70 kg
- Dimensions**
Page 56



Simple tension adjustment from either end

TruClose® Hinge Safety Cap
Optional. Helps prevent toddlers from using bottom hinge as a climbing foothold.
CODE: TCHDCAPS3



"L2" models have quick-fit alignment legs for fast installation and added fixing strength.



PRODUCT FEATURES

- D&D-patented tension adjustment
- Won't rust, bind, sag or stain
- Adjust tension from either end (tension adjustment is always facing up)
- UV-stabilized, super-strong engineered polymer (self-lubricating durability)
- Internal stainless steel closing spring
- Increased performance over previous models
- Decorative trim covers included - no visible fasteners
- Trim covers to co-ordinate with LokkLatch® MAGNETIC
- Heavy Duty Range self-closes gates up to 154 lb (70kg)

DECORATIVE TRIM COVERS:



CODE	TRIM FINISH	GATE MATERIAL	SIDE LEGS	IDEAL GATE GAP	GAP VARIANCE	SOLD AS
TCHD1AS3BT	Black	Metal	-	3/4" (19mm)	1 1/2" - 1" (9-25mm)	1 Pair
TCHD1AS3CT	Chrome	Metal	-	3/4" (19mm)	1 1/2" - 1" (9-25mm)	1 Pair
TCHD1AS3ST	Brushed	Metal	-	3/4" (19mm)	1 1/2" - 1" (9-25mm)	1 Pair
TCHD1AS3WT	White	Metal	-	3/4" (19mm)	1 1/2" - 1" (9-25mm)	1 Pair
TCHD1AL1S3BT	Black	Metal	1 Leg	3/4" (19mm)	1 1/2" - 1" (9-25mm)	1 Pair
TCHD1AL2S3CT	Chrome	Metal	2 Legs	Fixed at 3/4" (19mm)	-	1 Pair
TCHD1AL2S3ST	Brushed	Metal	2 Legs	Fixed at 3/4" (19mm)	-	1 Pair
TCHD1AL2S3WT	White	Metal	2 Legs	Fixed at 3/4" (19mm)	-	1 Pair
TCHD1AL2S3BT	Black	Metal	2 Legs	Fixed at 3/4" (19mm)	-	1 Pair
TCHD1S3BT	Black	Metal/Wood/Vinyl	-	3/4" (19mm)	1 1/2" - 1" (9-25mm)	1 Pair
TCHD1L2S3BT	Black	Metal/Wood/Vinyl	2 Legs	Fixed at 3/4" (19mm)	-	1 Pair
TCHD2L1S3BT	Black	Vinyl/Wood	1 Leg	3/4" (19mm)	1 1/2" - 1" (9-25mm)	1 Pair
TCHD2L2S3BT	Black	Vinyl/Wood	2 Legs	Fixed at 3/4" (19mm)	-	1 Pair
TCHDCAPS3	Black	Safety Cap	-	-	-	1 Each



SELECTION GUIDE

MAGNALATCH

T-LATCH

LOKKLATCH

TRUCLOSE

SURECLOSE

KWIKFIT

GATE EXTRAS

DROP BOLTS

GLASS RANGE

DIMENSIONS

Gate selection guide:



LokkLatch® Magnetic • TruClose® Regular Hinges • TruClose® Heavy Duty Hinges with matching trim covers

Which latches and hinges?



SELECTION GUIDE

MAGNALATCH

T-LATCH

LOKKLATCH

TRUCLOSE

SURECLOSE

KWIKFIT

GATE EXTRAS

DROP BOLTS

GLASS RANGE

DIMENSIONS



SELECTION GUIDE

MAGNALATCH

T-LATCH

LOKKLATCH

TRUCLOSE

SURECLOSE

KWIKFIT

GATE EXTRAS

DROP BOLTS

GLASS RANGE

DIMENSIONS

Application
Residential heavy gates

Ideal Gate Material
Wood, Vinyl

Max self-closing weight
132 lb • 60 kg

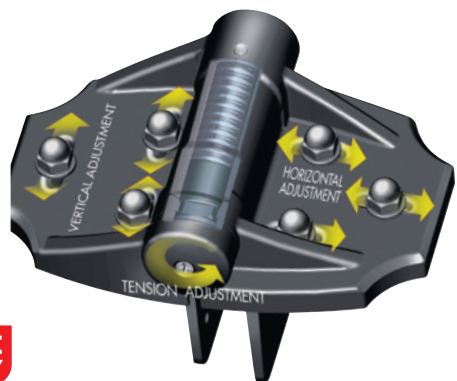
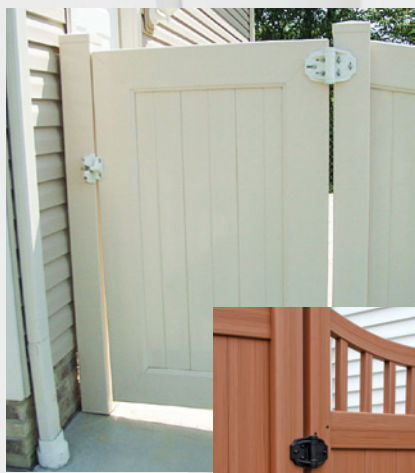
Dimensions
Page 56

HEAVY DUTY



Easy vertical and horizontal adjustment

Simple tension adjustment



PRODUCT FEATURES

- 3-way adjustment - vertical, horizontal & tension
- Self-closes wood and vinyl gates up to 132 lb (60kg)
- Up to 3/4" (19mm) vertical and horizontal adjustment
- UV stabilized, super-strong engineered polymer (self-lubricating durability)
- Internal stainless steel spring and components
- Only one person needed to hang large gates
- Combine with D&D latches for maximum vertical & horizontal adjustment

CODE	GATE MATERIAL	IDEAL GAP	GAP VARIANCE	COLOR
TCHDMA1	Wood & Vinyl	1" (25mm)	5/8" - 1 3/8" (16-35mm)	Black
TCHDMA1WT	Wood & Vinyl	1" (25mm)	5/8" - 1 3/8" (16-35mm)	White



Application
New & existing gates

Ideal Gate Material
Metal, Wood, Vinyl, Chainlink

Max self-closing weight
55 lb • 25 kg

Dimensions
Page 57

REGULAR RANGE



Simple tension adjustment

Vertical adjustment 3/4" (19mm)



PRODUCT FEATURES

- 3-way adjustment - Vertical, horizontal & tension
- Up to 3/4" (19mm) adjustment
- Fits gate gaps up to 2" (50mm)
- Self-closes gates up to 55 lb (25kg)
- UV stabilized, super-strong engineered polymer (self-lubricating durability)
- Internal stainless steel spring and components
- Round post model for Chainlink gates available

CODE	GATE MATERIAL	IDEAL GATE GAP	GAP VARIANCE	COLOR
TCAMA1	Metal, Wood, Vinyl	1 1/8" (29mm)	7/8"-1 1/2" (22-38mm)	Black
TCAMA2	Metal, Wood, Vinyl	1 3/8" (35mm)	7/8"-2" (22-50mm)	Black
TCAMA2WT	Metal, Wood, Vinyl	1 3/8" (35mm)	7/8"-2" (22-50mm)	White
TCAMA2RND	Chainlink	1 3/8" (35mm)	7/8"-2" (22-50mm)	Black



SELECTION GUIDE

MAGNALATCH

T-LATCH

LOKKLATCH

TRUCLOSE

SURECLOSE

KWIKFIT

GATE EXTRAS

DROP BOLTS

GLASS RANGE

DIMENSIONS

Application
Heavy, round post gates

Ideal Gate Material
Chainlink

Max self-closing weight
132 lb • 60 kg

Dimensions
Page 57

HEAVY DUTY

TCHDRND1-MK2
Gate diameters:
1 3/8" & 1 1/2"
(35 & 41mm)
Post diameters:
1 7/8", 2 3/8" & 2 7/8"
(48, 60 & 73mm)



Simple tension adjustment

TCHDRND2-MK2
Gate diameters:
1 7/8" (48mm)
Post diameters:
1 7/8" & 2 7/8"
(48 & 73mm)



PRODUCT FEATURES

- D&D-patented tension adjustment
- Self-closes gates up to 132 lb (60kg)
- UV stabilized, super-strong engineered polymer (self-lubricating durability)
- Internal stainless steel spring and components
- Fasteners included

CODE	GATE MATERIAL	IDEAL GAP	GAP VARIANCE	COLOR
TCHDRND1-MK2	Chainlink	1" (25mm)	3/8" - 1 3/8" (19-35mm)	Black
TCHDRND2-MK2	Chainlink	1" (25mm)	3/8" - 1 3/8" (19-35mm)	Black



Application
Homes & gardens

Ideal Gate Material
Wood

Max self-closing weight
55 lb • 25 kg

Dimensions
Page 57

REGULAR RANGE



Simple tension adjustment



PRODUCT FEATURES

- Self-closing T-Hinge for light-mid weight wood gates
- Won't rust, bind, sag or stain
- Self-close gates up to 55 lb (25kg)
- Super-strong engineering polymer and stainless steel spring
- Thicker, molded rib through the center of the hinge leaf adds strength
- Fasteners included

CODE	GATE MATERIAL	IDEAL GATE GAP	GAP VARIANCE	COLOR
TCA4	Wood	3/4" (19mm)	1/4" - 7/8" (6-22mm)	Black





Application

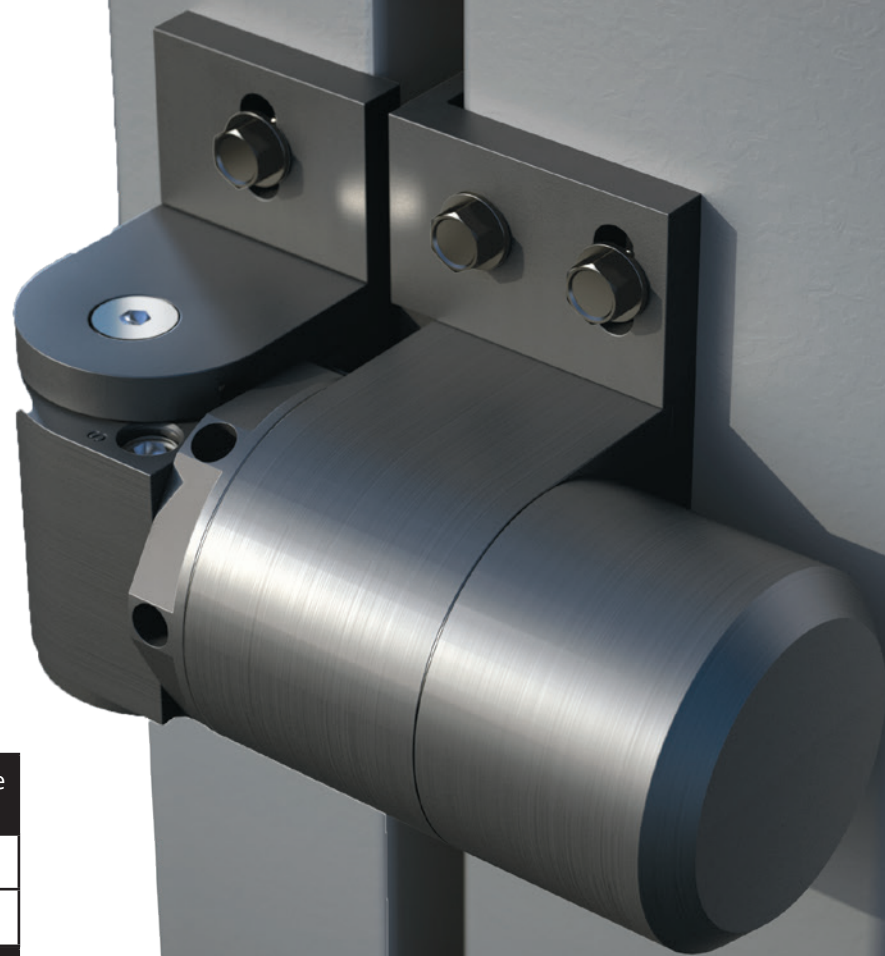
Residential, Commercial

Ideal Gate Material

Aluminum or Steel

Dimensions

Page 58



Hinge Combinations	Max Self-Closing Gate Weight Max*
108 + SM	180 lb (80kg)
108 + 108	260 lb (120kg)
Access Control	Weight Capacity
SM + SM	1,500 lb (680kg)

***CAUTION:**
Based on max gate size 72"H x 40"W (1800x1000mm).
For gates with greater HxW,
or if weather conditions such as wind play a role,
use hinge combinations with higher self-closing
weight ratings.

Multiple mounting options:

- Mounting brackets included
- Aluminum screw-on
- Steel weld-on
- Fasteners included

Quick-fit alignment legs:
For ease of installation, alignment and double face-fixing strength.

Vertical alignment slots

Multiple adjustment options :

- Self-closing speed and force
- Final snap-close action
- Horizontal adjustment
- ADA compliant

Sold as a single hinge

Dual Bearing Glide System™

Two rows of bearings for consistently superior performance.

Powerful, hidden hydraulics... that don't leak!

Hydraulics are concealed within the hinge providing a controlled, quiet close in a tamper-resistant, compact design. No need to ever add fluid.

* Each READYFIT hinge and closer will close past the latch post to -2°. This is to aid in the successful latching of the lock mechanism (much like our TruClose® hinges). Therefore, the READYFITs will only open a distance of 88° for an SF model and 178° for a non-SF model.

CODE	MODEL	TYPE	BRACKET	GAP VARIANCE	SELF-CLOSING FROM*	MAXIMUM GATE OPENING*	FINAL SNAP-CLOSE ACTION	POOL/CHILD SAFETY**	FENCE POST SIZE MINIMUM
74001313	RF SM S	Hinge	Aluminum Screw-on	½" - 1¾" (12-35mm)	-	178°	-	-	2" (50mm)
74001315	RF SM W	Hinge	Steel Weld-on	½" - 1¾" (12-35mm)	-	178°	-	-	2" (50mm)
74108313	RF 108 S	Hinge/Closer	Aluminum Screw-on	½" - 1¾" (12-35mm)	83°	178°	Yes	-	2" (50mm)
74108315	RF 108 W	Hinge/Closer	Steel Weld-on	½" - 1¾" (12-35mm)	83°	178°	Yes	-	2" (50mm)
74108323	RF 108SF S	Hinge/Closer & Safety Feature	Aluminum Screw-on	½" - 1¾" (12-35mm)	88°	88°	Yes	Yes**	2" (50mm)
74108325	RF 108SF W	Hinge/Closer & Safety Feature	Steel Weld-on	½" - 1¾" (12-35mm)	88°	88°	Yes	Yes**	2" (50mm)

**Yes (SF) = Gate will not hold open at 85° (OK for safety gates). Do NOT use a hinge with a 90° hold-open feature (-) for pool/child safety gates.

IMPORTANT: For maximum gate weights, see weight chart on page 36.

CAUTION: A gate stop must be installed when using SF models. Gate must not be allowed to open past 90°. Doing so voids warranty.



A hinge-closer in one small, powerful package



Non-self-closing. Load bearing hinge



Adjustable self-closing speed and final snap-close action





Application

Commercial-style gates

Ideal Gate Material

Aluminum or Steel

Dimensions

Page 59-60



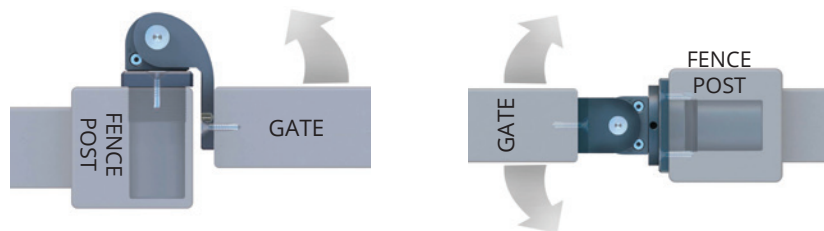
Flush Mount Closer screw-on bracket

Hinge Combinations	Self-Closing Gate Weight Max*
57 + SM	90 lb (40kg)
57 + 57	180 lb (80kg)
108 + SM	180 lb (80kg)
108 + 108	260 lb (120kg)
Access Control	Weight Capacity
SM + SM	1,500 lb (680kg)

***CAUTION:**
Based on max gate size 72"H x 40"W (1800x1000mm). For gates with greater HxW, or if weather conditions such as wind play a role, use hinge combinations with higher self-closing weight ratings.

Flush Mount swings in or out

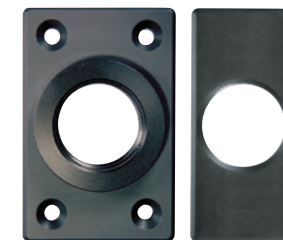
Center Mount swings in & out



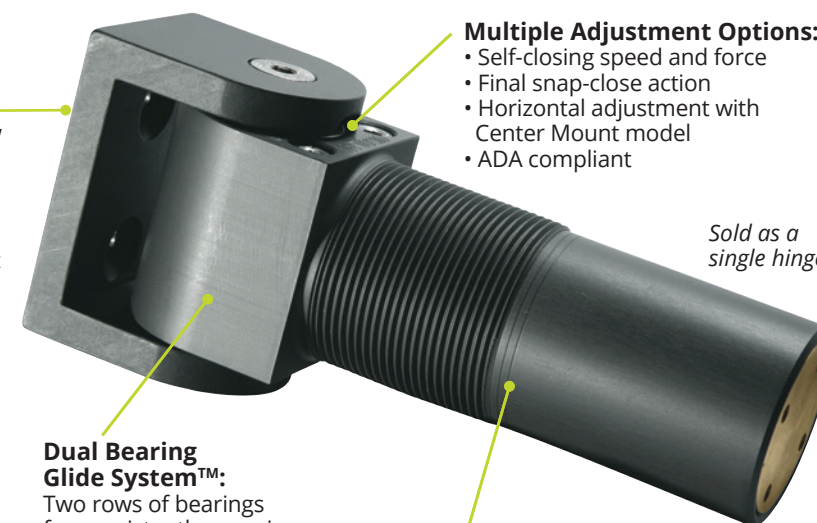
Mounting Brackets:

A variety of gate brackets allow for virtually any square-post mounting application:

- Steel or Aluminum
- Fastened or Welded
- Flush mount or center mount



NOTE: Flush and Center Mount model post brackets are sold separately. Fasteners not included. See page 59 for complete Bracket selection.



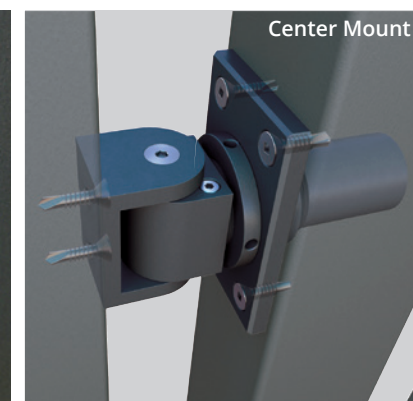
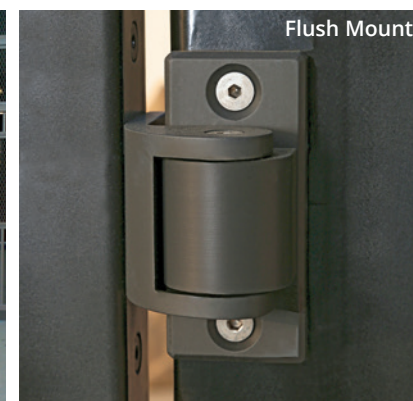
Multiple Adjustment Options:

- Self-closing speed and force
- Final snap-close action
- Horizontal adjustment with Center Mount model
- ADA compliant

Sold as a single hinge

Dual Bearing Glide System™:
Two rows of bearings for consistently superior performance.

Powerful, hidden hydraulics... that don't leak!
Hydraulics inside the hinge are concealed within the fence post providing a small footprint. Controlled, quiet close in a tamper resistant, compact design. No need to ever add fluid. (57 & 108 models)



CENTER MOUNT

CODE*	MODEL	TYPE	BRACKET	SELF-CLOSING FROM	MAXIMUM GATE OPENING	FENCE POST SIZE MIN.	POOL/CHILD SAFETY**
75001113	SM S	Hinge	Aluminum Screw-on	-	90°	2 ½" (64mm)	-
75057113	57 S	Closer & Hinge	Aluminum Screw-on	85°	90°	2 ½" (64mm)	-
75057123	57SF S	Closer & Hinge	Aluminum Screw-on	90°	90°	2 ½" (64mm)	Yes
75108113	108 S	Closer & Hinge w/ Final Snap Action	Aluminum Screw-on	85°	90°	3" (76mm)	-
75108123	108SF S	Closer & Hinge w/ Final Snap Action	Aluminum Screw-on	90°	90°	3" (76mm)	Yes
75001114	SM W	Hinge	Steel Weld-on	-	90°	2 ½" (64mm)	-
75057114	57 W	Closer & Hinge	Steel Weld-on	85°	90°	2 ½" (64mm)	-
75057124	57SF W	Closer & Hinge	Steel Weld-on	90°	90°	2 ½" (64mm)	Yes
75108114	108 W	Closer & Hinge w/ Final Snap Action	Steel Weld-on	85°	90°	3" (76mm)	-
75108124	108SF W	Closer & Hinge w/ Final Snap Action	Steel Weld-on	90°	90°	3" (76mm)	Yes

**Yes (SF) = Gate will not hold open at 90° (OK for safety gates). Do NOT use a hinge with a 90° hold-open feature (-) for pool/child safety gates. IMPORTANT: For maximum gate weights, see weight chart above. CAUTION: A gate stop must be installed when using SF models. Gate must not be allowed to open past 90°. Doing so voids warranty.



FLUSH MOUNT

CODE*	MODEL	TYPE	BRACKET	SELF-CLOSING FROM	MAXIMUM GATE OPENING	FENCE POST SIZE MINIMUM	POOL/CHILD SAFETY**
75001213	SM AT90 S	Hinge	Aluminum Screw-on	-	178°	2" (50mm)	-
75057213	57 AT90 S	Closer & Hinge	Aluminum Screw-on	83°	178°	2" (50mm)	-
75057223	57SF AT90 S	Closer & Hinge	Aluminum Screw-on	88°	88°	2" (50mm)	Yes
75108213	108 AT90 S	Closer & Hinge w/ Final Snap Action	Aluminum Screw-on	83°	178°	3" (76mm)	-
75108223	108SF AT90 S	Closer & Hinge w/ Final Snap Action	Aluminum Screw-on	88°	88°	3" (76mm)	Yes
75001214	SM AT90 W	Hinge	Steel Weld-on	-	178°	2" (50mm)	-
75057214	57 AT90 W	Closer & Hinge	Steel Weld-on	83°	178°	2" (50mm)	-
75057224	57SF AT90 W	Closer & Hinge	Steel Weld-on	88°	88°	2" (50mm)	Yes
75108214	108 AT90 W	Closer & Hinge w/ Final Snap Action	Steel Weld-on	83°	178°	3" (76mm)	-
75108224	108SF AT90 W	Closer & Hinge w/ Final Snap Action	Steel Weld-on	88°	88°	3" (76mm)	Yes

SELECTION GUIDE

MAGNALATCH

T-LATCH

LOKKLATCH

TRUCLOSE

SURECLOSE

KWIKFIT

GATE EXTRAS

DROP BOLTS

GLASS RANGE

DIMENSIONS



- Application**
Residential, Commercial
- Ideal Gate Material**
Aluminum or Steel
- Dimensions**
Page 62

FITS TO TOP OF GATE
Can be used with existing center-mounted SM hinges. See page 59 for details.

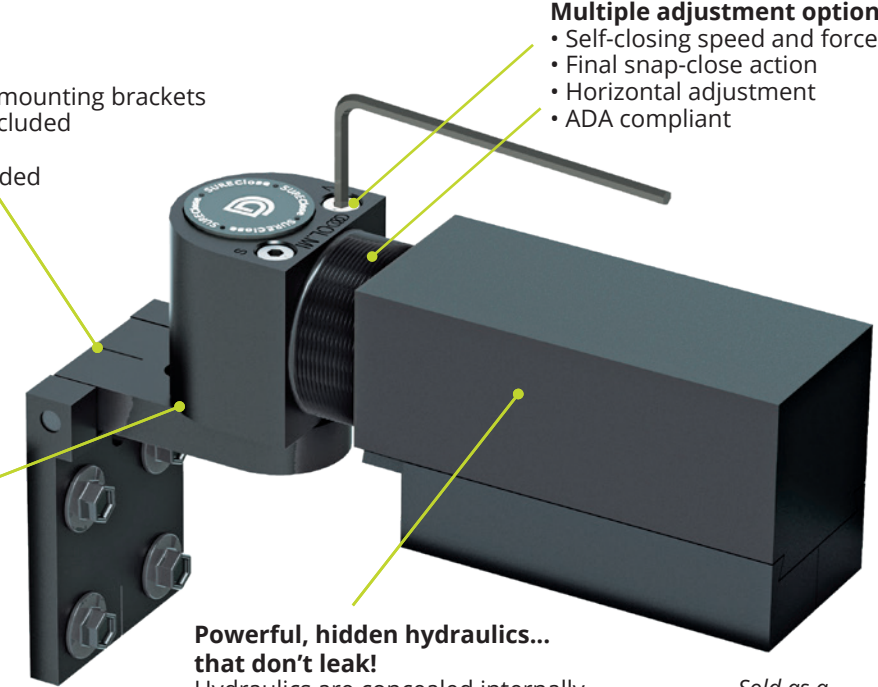


Sold as a single closer

Mounting system:

- Aluminum, screw-on mounting brackets
- Mounting brackets included
- Fasteners included
- Adjustment tool included

Dual Bearing Glide System™
Two rows of bearings for consistently superior performance.

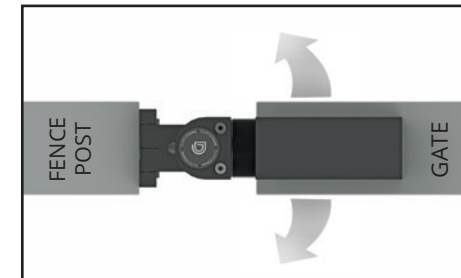


Multiple adjustment options:

- Self-closing speed and force
- Final snap-close action
- Horizontal adjustment
- ADA compliant

Powerful, hidden hydraulics... that don't leak!
Hydraulics are concealed internally, providing quiet, controlled closure in a tamper-resistant, compact design. No need to ever add fluid.

Sold as a single closer



Gate Size	Self-Closing Gate Weight Max*
72"H x 40"W (1.8mH x 1mW)	180 lb (80kg)
72"H x 48"W (1.8mH x 1.2mW)	130 lb (60kg)

***CAUTION:**
Based on max gate size 72"H x 48"W (1.8m x 1.2m). For gates with greater HxW, or if conditions such as wind play a role, use a different model of SureClose® hinge + closer combination with higher self-closing weight ratings.

PRODUCT FEATURES

- Add-on hydraulic closer - smooth and quiet
- Usable with most center-mounted hinge types
- Ideal for new or existing gates
- Self-closes gates up to 180 lb (80kg)
- Easy to install: mounts onto top of gate
- Horizontally adjustable - up to 4" (100mm) gate gaps
- Same features as all 108SF closers
- Opens to, and self-closes from, 90° (no hold-open)
- Maintenance free - never add fluid
- High corrosion resistance - thick 50 micron anodizing

CODE*	MODEL	TYPE	BRACKET	GAP VARIANCE	SELF-CLOSING FROM	MAXIMUM GATE OPENING	POOL/CHILD SAFETY**	FENCE POST SIZE MIN.
72108423	SCE 108SF S	Closer	Aluminum	2" - 4" (50-100mm)	90°	90°	Yes	2" (50mm)

*All EASY closers include fasteners, gate and post mounting brackets.
 **Yes (SF) = Gate will not hold open at 90° (OK for safety gates). Do NOT use a hinge with a 90° hold-open feature (-) for pool/child safety gates.
 IMPORTANT: For maximum gate weights, see weight chart above.
 CAUTION: A gate stop must be installed when using SF models. Gate must not be allowed to open past 90°. Doing so voids warranty.

SELECTION GUIDE

MAGNALATCH

T-LATCH

LOKKLATCH

TRUCLOSE

SURECLOSE

KWIKFIT

GATE EXTRAS

DROP BOLTS

GLASS RANGE

DIMENSIONS





Application
Residential, Commercial

Ideal Gate Material
Aluminum, Steel

Dimensions
Page 64



Black (Gloss)

KF3ABL
Mounts to post, or wall if no post available



Bronze (Satin)

KF3L2BR
Two side-fixing legs for added strength



White (Gloss)

KF3WT
Alignment ridges for fast and easy installation.
* White only available in North America



Adjust tension with a screwdriver from either end

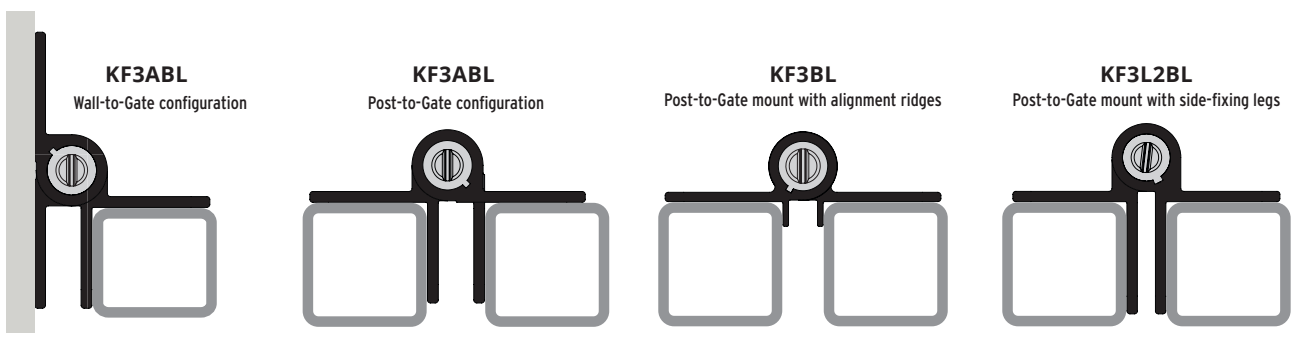
Sold as a single hinge

PRODUCT FEATURES

- Traditionally styled 5¾" (146mm) self-closing hinges
- Aluminum construction with powder-coated finish
- Wall- and post-mount models available
- Internal stainless steel closing spring
- D&D-patented tension adjustment
- One-handed tension adjustment from either end (tension adjustment is always facing up)
- Low-friction polymer washer material
- Self-closes gates up to 44 lb (20kg)

CODE	COLOR	MODEL/FEATURE	GAP VARIANCE
KF3ABL	Black	Wall or post mounted	Fixed at ¾" (19mm)
KF3ABR	Bronze	Wall or post mounted	Fixed at ¾" (19mm)
KF3AWT	White	Wall or post mounted	Fixed at ¾" (19mm)
KF3BL	Black	Alignment ridges	Fixed at ½" (13mm)
KF3BR	Bronze	Alignment ridges	Fixed at ½" (13mm)
KF3WT	White	Alignment ridges	Fixed at ½" (13mm)
KF3L2BL	Black	2 Side fixing legs	Fixed at ½" (13mm)
KF3L2BR	Bronze	2 Side fixing legs	Fixed at ½" (13mm)
KF3L2WT	White	2 Side fixing legs	Fixed at ½" (13mm)

NOTE: KwikFit Aluminum hinges are sold as single hinges. For pairs and other kitting options, please contact your D&D sales representative.



SELECTION GUIDE

MAGNALATCH

T-LATCH

LOKKLATCH

TRUCLOSE

SURECLOSE

KWIKFIT

GATE EXTRAS

DROP BOLTS

GLASS RANGE

DIMENSIONS



Application

Residential Gates

Ideal Gate Material

Metal, Wood, Vinyl

Max self-closing Weight

44-55 lb • 20-25 kg

Dimensions

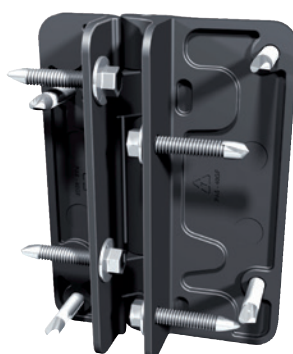
Page 64



PRODUCT FEATURES

- Economical gate hinges
- KFP hinges for gates up to 55lb (25kg)
- KFS self-closing hinges for gates up to 44lb (20kg)
- Super-strong engineering polymer and stainless steel construction
- Won't rust, bind, sag or stain

CODE	COLOR	MODEL/FEATURE	GATE GAP	GATE MATERIAL
KFP	Black	Plain pivoting - No spring	Fixed at 3/4" (19mm)	Metal, Wood, Vinyl
KFS	Black	Self-closing - fixed tension	Fixed at 3/4" (19mm)	Metal, Wood, Vinyl



KwikFit™ side-fixing legs offer quick and easy alignment of the hinges on gate and fence post. Double face-fixing (i.e. fixes to both face and side of post and gate) also adds strength.



KFP
No spring, plain pivoting



KFS
Self-closing, fixed tension



Application

Residential

Ideal Gate Material

Metal, Wood, Vinyl

Dimensions

Page 65



TCGS3
Two side-fixing legs for added strength

PRODUCT FEATURES

- Ideal gate alignment device
- Prevents damage to latches & hinges
- Greatly reduces gate-slam noise
- Tough, durable polymer + rubber bumper



CODE	COLOR	GATE MATERIAL
TCGS1	Black, White	Wood, Vinyl
TCGS2	Black	Metal, Wood, Vinyl
TCGS3	Black	Metal

SERIES 3

Application

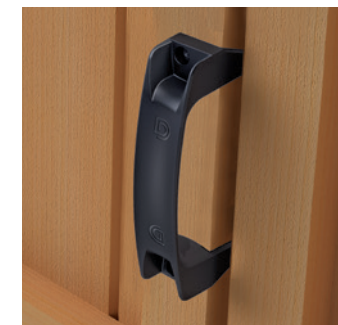
Picket & privacy style gates

Ideal Gate Material

Metal, Wood, Vinyl

Dimensions

Page 65



PRODUCT FEATURES

- Series 3: Improved ergonomics & styling
- Fits left-hand or right-hand opening gates
- Won't rust or stain
- Super-strong polymer construction
- Stainless steel fasteners included
- Side-fixing legs for quick alignment & added strength



CODE	COLOR	GATE MATERIAL
LL3GH	Black	Metal, Wood, Vinyl



SELECTION GUIDE

MAGNALATCH

T-LATCH

LOKKLATCH

TRUCLOSE

SURECLOSE

KWIKFIT

GATE EXTRAS

DROP BOLTS

GLASS RANGE

DIMENSIONS

Application

Residential, Commercial

Ideal Gate Material

Metal, Wood, Vinyl

Dimensions

Page 65

PRODUCT FEATURES

- 316 marine-grade stainless steel drop-rod
- Tough polymer-housing mounting system
- 6-pin lock (rekeyable to match doors & gate locks)
- Retention grooves in drop-rod prevent bolt from dropping and dragging
- Bolt lengths: 18" & 24" (450 & 610mm)
- Models for wood & vinyl have added fixing points
- Optional Base Plate retains bolt into ground

CODE	COLOR	GATE MATERIAL	BOLT LENGTH
LB118BX	Black, White	Metal	18" (450mm)
LB124BX	Black, White	Metal	24" (610mm)
LB218BX	Black	Wood, Vinyl	18" (450mm)
LB224BX	Black	Wood, Vinyl	24" (610mm)
LBBPGB	Black	Optional Base Plate	-



Optional Base Plate LBBPGB



Application

Residential, Commercial

Ideal Gate Material

Metal, Wood, Vinyl

Dimensions

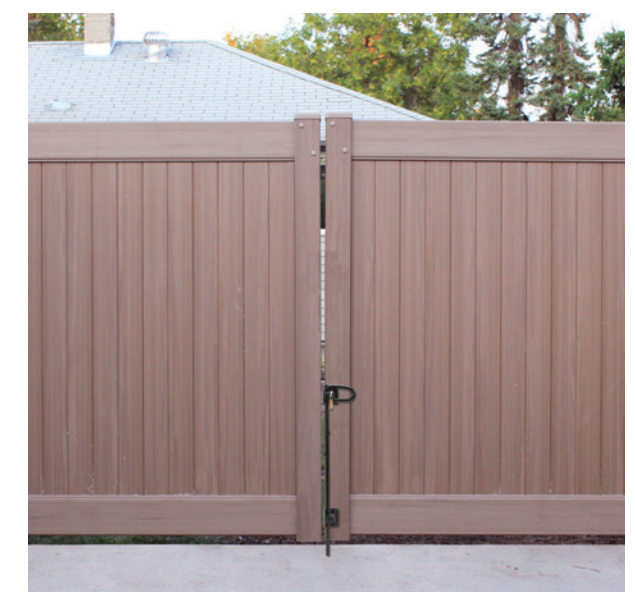
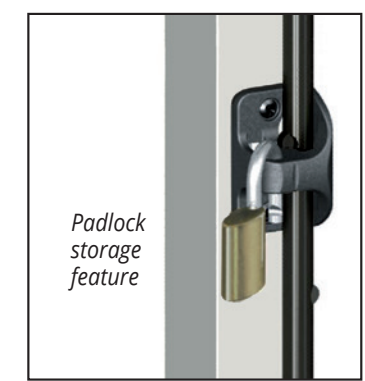
Page 65

PRODUCT FEATURES

- Electro-polished stainless steel bolt
- Powder coated: corrosion resistant
- Padlockable; with padlock storage feature
- Tough, molded polymer mounting system
- Retention tabs prevent bolt from dropping & dragging on driveways
- Mounting systems for metal, wood and vinyl
- Bolt lengths: 24" & 40" (610 & 1020mm)
- Optional Base Plate retains bolt into ground

CODE	COLOR	GATE MATERIAL	BOLT LENGTH
QB124	Black	Metal	24" (610mm)
QB140	Black	Metal	40" (1020mm)
QB224	Black	Wood, Vinyl	24" (610mm)
QB240	Black	Wood, Vinyl	40" (1020mm)
LBBPGB	Black	Optional Base Plate	-

Locked position





SELECTION GUIDE

MAGNALATCH

T-LATCH

LOKKLATCH

TRUCLOSE

SURECLOSE

KWIKFIT

GATE EXTRAS

DROP BOLTS

GLASS RANGE

DIMENSIONS

- Application**
Residential, Commercial
- Ideal Gate Material**
Glass
- Dimensions**
Page 66



Convenient key-lockable security

Designed for 2" (50mm) round posts

Fits 5/16" or 3/8" (8 or 10mm) thick glass and 2" (50mm) round post

Dress caps mean no visible fasteners



Gate stops come in black, silver or mill finishes



Non-lockable model

The MagnaLatch[®] Side Pull model was the original magnetic gate latch invented by D&D Technologies. This revolutionary technology has now been proved over 25 years.



PRODUCT FEATURES

- Magnetically triggered (no jamming or sticking)
- Key-lockable and non-lockable models
- For glass thickness of 5/16" or 3/8" (8 or 10mm)
- Designed to fit 2" (50mm) round-post-to-glass gates
- Three gate stop finishes: Black, Silver or Milled
- Easy installation by a glass tradesman

CODE	MODEL/FEATURE	APPLICATION
MLSPS2LGHK	Lockable Glass Kit	Fits 5/16" - 3/8" (8-10mm) glass
MLSPS2GHK	Glass Kit	Fits 5/16" - 3/8" (8-10mm) glass

Fits 2" (50mm) round posts to frameless glass gates.

Vizage[™] Stainless Steel, Magnetic Gate Latch



PRODUCT FEATURES

- 316 marine-grade stainless steel
- Corrosion resistant latch bolt
- Adaptable to many mounting brackets
- Polished or Brushed surface finishes
- No visible fasteners (blind fixing from rear)
- Limited Lifetime Warranty

CODE	FINISH	MODEL/FEATURE	MOUNTING BRACKETS
MLSPS2VPSS	Polished	316 marine-grade stainless	Contact D&D Technologies for proper glass mounting brackets for stainless steel models.
MLSPS2VBSS	Brushed	316 marine-grade stainless	





Application	Residential Pool Gates
Ideal Gate Material	Glass
Dimensions	Page 66-67

Application	Residential
Ideal Gate Material	Glass
Dimensions	Page 67



If used on swimming pool gates*

COMES WITH
MAGNALATCH®
SIDE PULL Key-Lockable



SELECTION GUIDE

MAGNALATCH

T-LATCH

LOKKLATCH

TRUCLOSE

SURECLOSE

KWIKFIT

GATE EXTRAS

DROP BOLTS

GLASS RANGE

DIMENSIONS

90° GLASS-TO-GLASS

180° GLASS-TO-GLASS



GLASS-TO-ROUND-POST

GLASS-TO-WALL OR POST

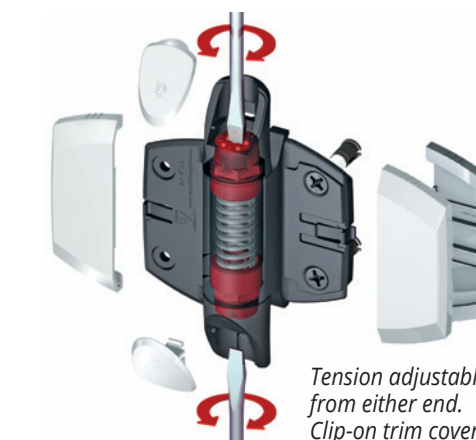
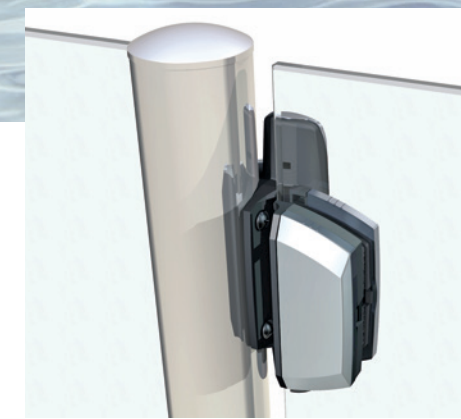


PRODUCT FEATURES

- Each mounting bracket includes one MagnaLatch® Side Pull 'Lockable'
- Vertical & horizontal adjustment
- Brackets are polished or brushed 316 marine-grade stainless steel
- For glass thickness of 5/16" or 3/8" (8 or 10mm)
- Will not rust or corrode

CODE	APPLICATION	MATERIAL	FINISH - TRIM/PLATES
MLSPG90SS	90° square Post-to-Glass	316 stainless steel	Brushed, Polished
MLSPG180SS	180° Glass-to-Glass	316 stainless steel	Brushed, Polished
MLSPRNDMSS	Glass to Round Post	316 stainless steel	Brushed, Polished
MLSPWPMSS	Glass to Wall or Post	316 stainless steel	Brushed, Polished

* NOTE: When used on swimming pool gates, mount the latch to pool side of gate at a minimum of 6" (150mm) below top of gate. There should be no space greater than 3/8" (10mm) within 18" (450mm) of Latch Release Knob.
Always consult local authorities for swimming pool Codes/Standards in your area.



Tension adjustable from either end.
Clip-on trim covers.

PRODUCT FEATURES

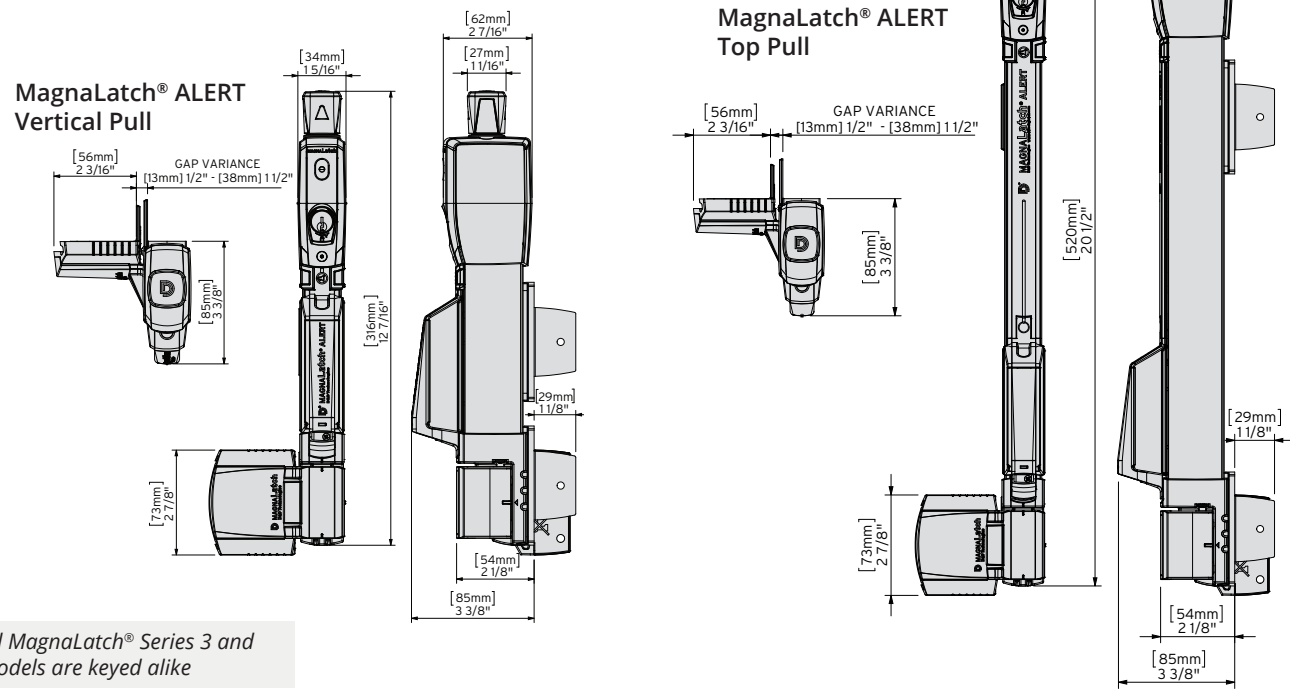
- Adjustable, self-closing hinges
- Designed to fit 2" (50mm) round post to glass gates
- For glass thickness of 5/16" or 3/8" (8 or 10mm)
- Self-closes glass gates up to 55 lb (25kg)
- Won't rust, bind, sag or stain
- Strong, polymer construction
- Stainless steel closing spring
- Decorative trim covers - Polished or Brushed
- No visible fasteners
- 60° safety ramp on both ends (no child foothold)

CODE	APPLICATION	IDEAL GATE GAP	FINISH - TRIM
TCAV1-BSS	5/16" - 3/8" (6-8mm) glass	3/4" (19mm)	Brushed
TCAV1-PSS	5/16" - 3/8" (6-8mm) glass	3/4" (19mm)	Polished



MAGNALatch® ALERT

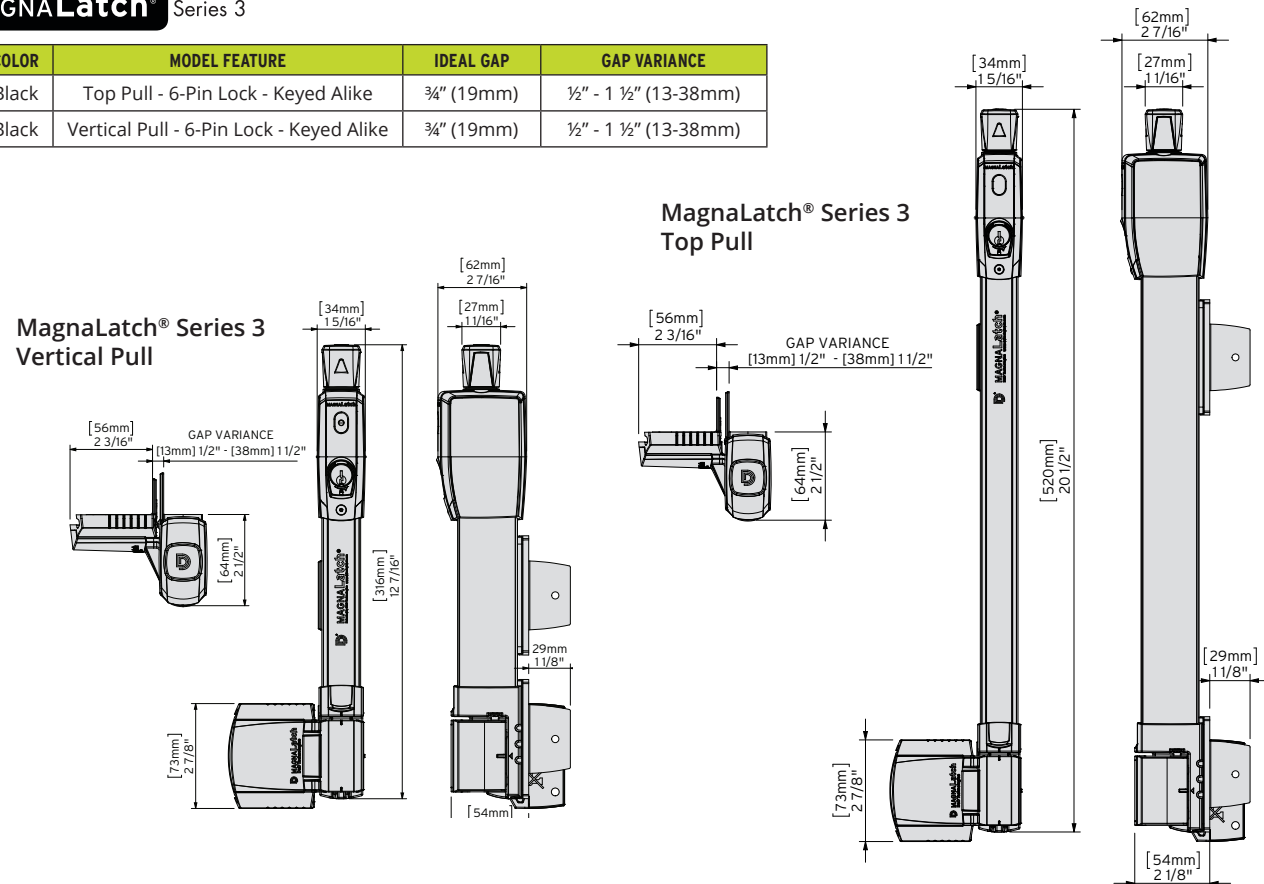
CODE	COLOR	MODEL FEATURE	IDEAL GAP	GAP VARIANCE
ML3ATP	Black	Top Pull - 6-Pin Lock - Keyed Alike + Alarm	3/4" (19mm)	1/2" - 1 1/2" (13-38mm)
ML3AVP	Black	Vertical Pull - 6-Pin Lock - Keyed Alike + Alarm	3/4" (19mm)	1/2" - 1 1/2" (13-38mm)



NOTE: All MagnaLatch® Series 3 and ALERT models are keyed alike

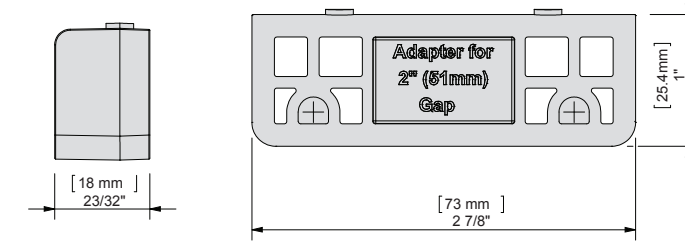
MAGNALatch® Series 3

CODE	COLOR	MODEL FEATURE	IDEAL GAP	GAP VARIANCE
ML3TP	Black	Top Pull - 6-Pin Lock - Keyed Alike	3/4" (19mm)	1/2" - 1 1/2" (13-38mm)
ML3VP	Black	Vertical Pull - 6-Pin Lock - Keyed Alike	3/4" (19mm)	1/2" - 1 1/2" (13-38mm)



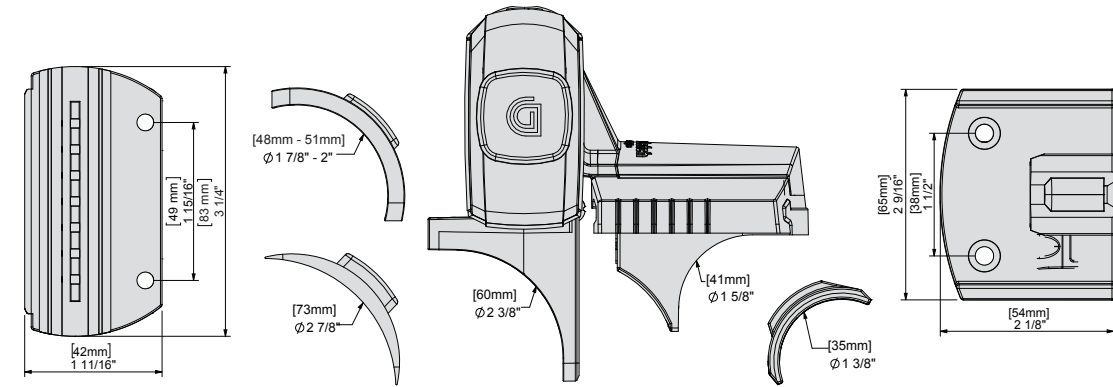
MAGNALatch® Gate Gap Spacer

CODE	COLOR	MODEL/FEATURE	GAP VARIANCE
ML3 SPACER	Black	2" Gap Spacer - Works with ML2 & ML3	1 1/2" - 2" (38-50mm)



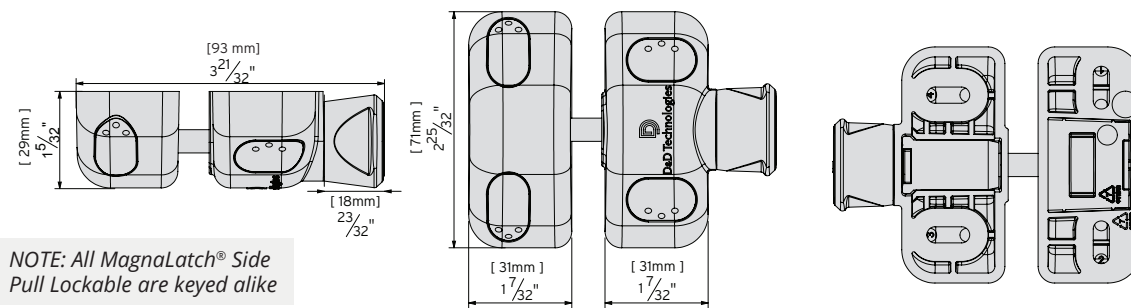
MAGNALatch® Round Post Adaptor Kit

CODE	COLOR	MODEL/FEATURE	GAP VARIANCE
ML3RPK	Black	ML3 Round Post Adaptor Kit	1 1/4" - 2 1/4" (32-57mm)



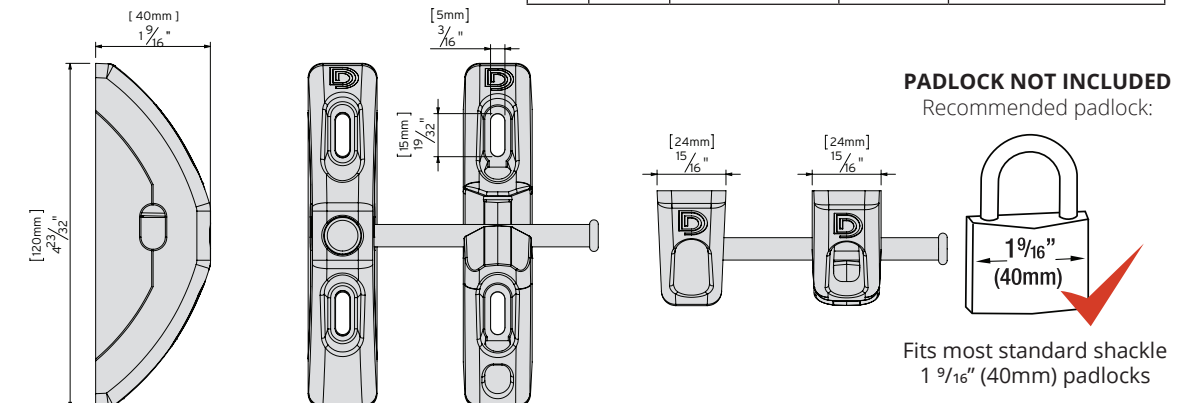
MAGNALatch® Side Pull

CODE	COLOR	MODEL/FEATURE	IDEAL GAP	GAP VARIANCE
MLSPS2L	Black	Key Lockable Side Pull	3/8" (10mm)	5/16" - 1 1/16" (7-17mm)
MLSPS2	Black	Side Pull	3/8" (10mm)	5/16" - 1 1/16" (7-17mm)



T-Latch

CODE	COLOR	MODEL/FEATURE	IDEAL GAP	GAP VARIANCE
TL01	Black	Padlockable latch	1" (25mm)	3/8" - 1 3/4" (10-45mm)



SELECTION GUIDE

MAGNALATCH

T-LATCH

LOKKLATCH

TRUCLOSE

SURECLOSE

KWIKFIT

GATE EXTRAS

DROP BOLTS

GLASS RANGE

DIMENSIONS

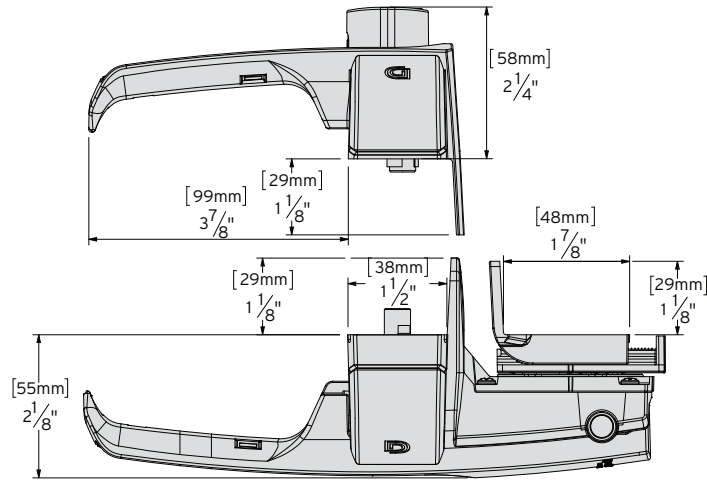
For 2D CAD and CSI Specifications, go to www.ddtechglobal.com

Product Dimensions

For 2D CAD and CSI Specifications, go to www.ddtechglobal.com

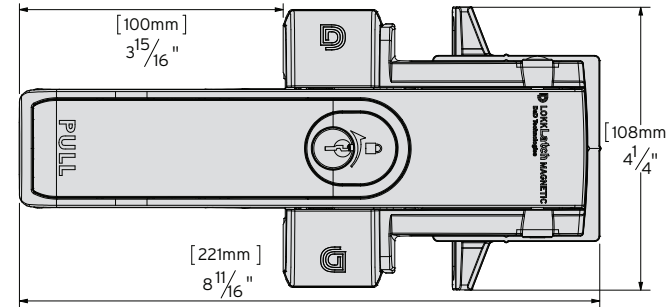
LOKKLATCH® MAGNETIC

Decorative trim covers included: BLACK, BRUSHED or CHROME



CODE	COLOR	TRIM FINISH	IDEAL GAP	GAP VARIANCE
LLM*BT	Black	Black	3/4" (19mm)	3/8" - 1 1/4" (10-32mm)
LLM*CT	Black	Chrome	3/4" (19mm)	3/8" - 1 1/4" (10-32mm)
LLM*ST	Black	Brushed	3/4" (19mm)	3/8" - 1 1/4" (10-32mm)

*NOTE: Insert "A" for keyed alike or "D" for keyed different.

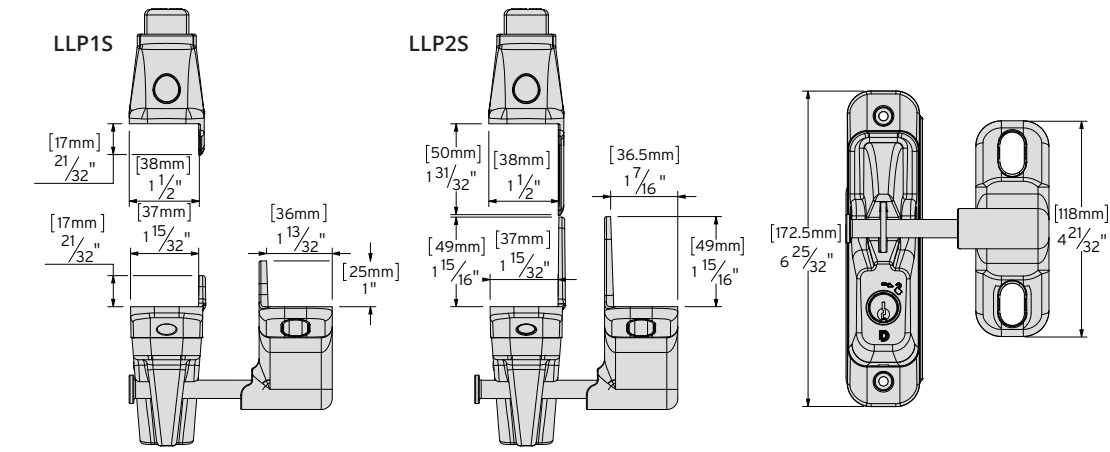


Product Dimensions

For 2D CAD and CSI Specifications, go to www.ddtechglobal.com

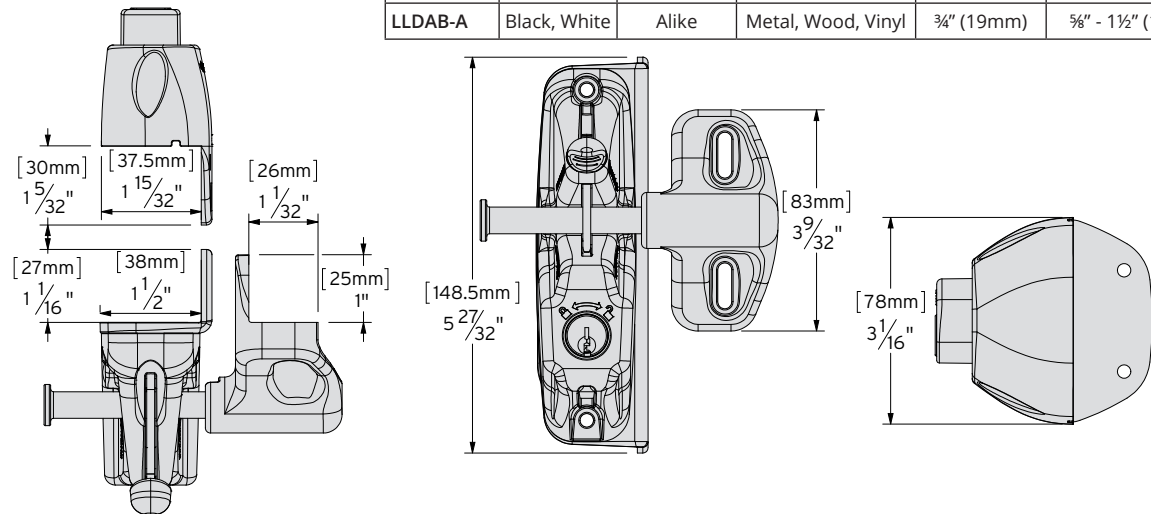
LOKKLATCH® PRO.SL

CODE	COLOR	KEYED	GATE MATERIAL	IDEAL GAP	GAP VARIANCE
LLP1S	Black, White	Different	Metal, Wood	3/4" (19mm)	5/8" - 1 1/2" (16-38mm)
LLP1S-KSA	Black	Alike	Metal, Wood	3/4" (19mm)	5/8" - 1 1/2" (16-38mm)
LLPS2-K	Black	Different	Vinyl	3/4" (19mm)	5/8" - 1 1/2" (16-38mm)
LLPS2-KSA	Black	Alike	Vinyl	3/4" (19mm)	5/8" - 1 1/2" (16-38mm)



LOKKLATCH® DELUXE

CODE	COLOR	KEYED	GATE MATERIAL	IDEAL GAP	GAP VARIANCE
LLDAB	Black, White	Different	Metal, Wood, Vinyl	3/4" (19mm)	5/8" - 1 1/2" (16-38mm)
LLDAB-A	Black, White	Alike	Metal, Wood, Vinyl	3/4" (19mm)	5/8" - 1 1/2" (16-38mm)



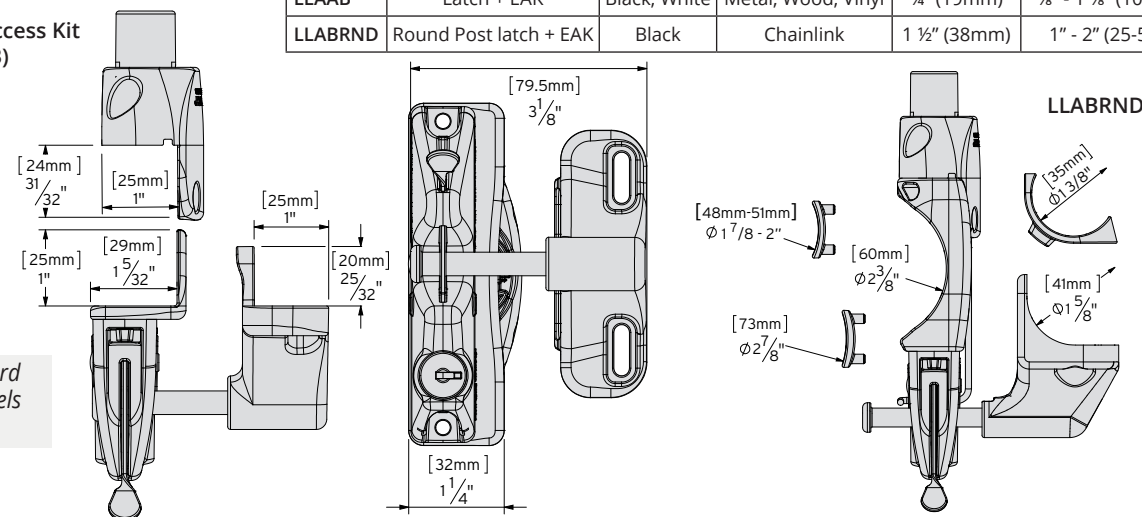
TRUClose® REGULAR RANGE

CODE	TRIM FINISH	GATE MATERIAL	SIDE LEGS	IDEAL GAP	GAP VARIANCE	SOLD AS
TCA1S3BT	Black	Metal	-	3/4" (19mm)	1 1/32" - 7/8" (9-22mm)	1 Pair
TCA1S3CT	Chrome	Metal	-	3/4" (19mm)	1 1/32" - 7/8" (9-22mm)	1 Pair
TCA1S3ST	Brushed	Metal	-	3/4" (19mm)	1 1/32" - 7/8" (9-22mm)	1 Pair
TCA1S3WT	White	Metal	-	3/4" (19mm)	1 1/32" - 7/8" (9-22mm)	1 Pair
TCA1L2S3BT	Black	Metal	2 Legs	Fixed at 13/16" (21mm)	-	1 Pair
TCA1L2S3CT	Chrome	Metal	2 Legs	Fixed at 13/16" (21mm)	-	1 Pair
TCA1L2S3ST	Brushed	Metal	2 Legs	Fixed at 13/16" (21mm)	-	1 Pair
TCA1L2S3WT	White	Metal	2 Legs	Fixed at 13/16" (21mm)	-	1 Pair
TCA2S3BT	Black	Metal/Wood	-	3/4" (19mm)	1 1/32" - 7/8" (9-22mm)	1 Pair
TCA2L2S3BT	Black	Metal/Wood	2 Legs	Fixed at 13/16" (21mm)	-	1 Pair
TCA3S3BT	Black	Vinyl/Wood	-	3/4" (19mm)	1 1/32" - 7/8" (9-22mm)	1 Pair
TCA3L2S3BT	Black	Vinyl/Wood	2 Legs	Fixed at 13/16" (21mm)	-	1 Pair
TCA3L2S3WT	White	Vinyl/Wood	2 Legs	Fixed at 13/16" (21mm)	-	1 Pair
TCACAP53	Black	Safety Cap	-	-	-	1 Each

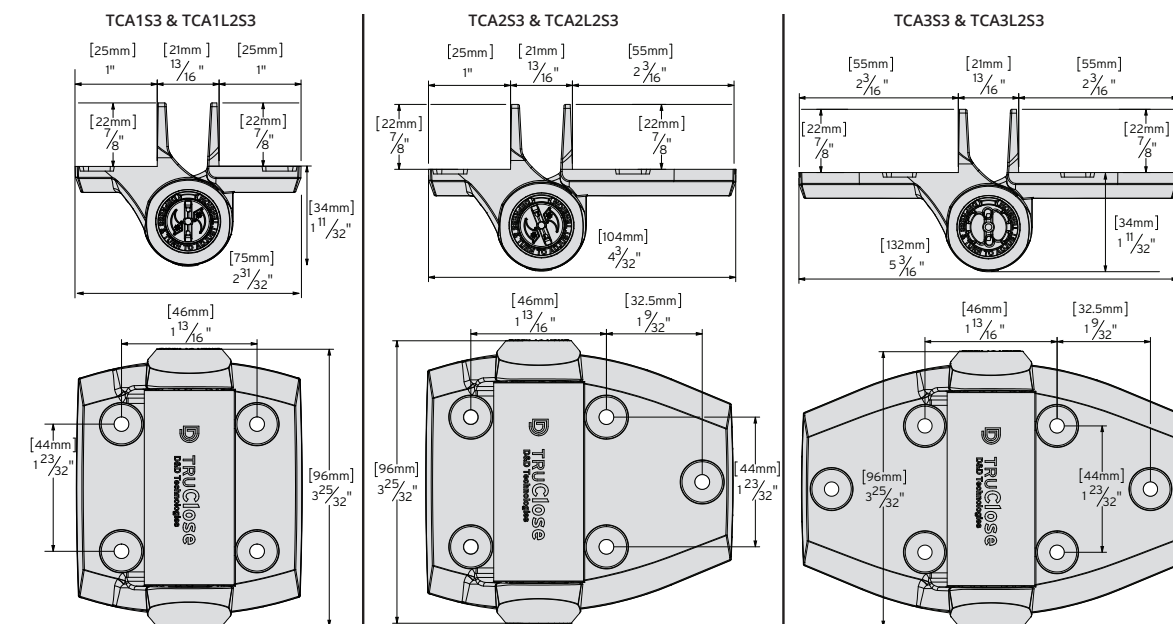
LOKKLATCH

CODE	FEATURE	COLOR	GATE MATERIAL	IDEAL GAP	GAP VARIANCE
LLAA	Latch only	Black, White	Metal, Wood, Vinyl	3/4" (19mm)	3/8" - 1 3/8" (10-35mm)
LLB	EAK only	Black, White	Metal, Wood, Vinyl	-	3/8" - 1 3/8" (10-35mm)
LLAAB	Latch + EAK	Black, White	Metal, Wood, Vinyl	3/4" (19mm)	3/8" - 1 3/8" (10-35mm)
LLABRND	Round Post latch + EAK	Black	Chainlink	1 1/2" (38mm)	1" - 2" (25-50mm)

External Access Kit (LLB)



NOTE: All standard LokkLatch® models are keyed alike



SELECTION GUIDE

MAGNALATCH

T-LATCH

LOKKLATCH

TRUCLOSE

SURECLOSE

KWIKFIT

GATE EXTRAS

DROP BOLTS

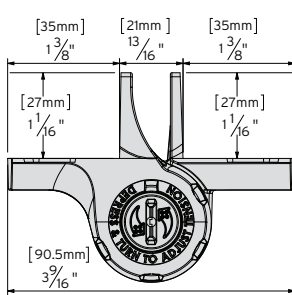
GLASS RANGE

DIMENSIONS

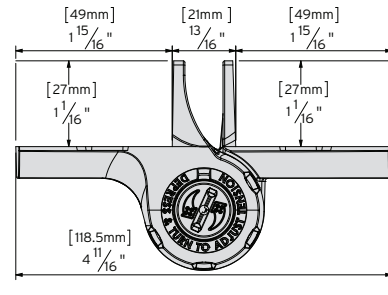
TRUClose HEAVY DUTY RANGE

CODE	TRIM FINISH	GATE MATERIAL	SIDE LEGS	IDEAL GAP	GAP VARIANCE	SOLD AS
TCHD1AS3BT	Black	Metal	-	3/4" (19mm)	1 1/32" - 1" (9-25mm)	1 Pair
TCHD1AS3CT	Chrome	Metal	-	3/4" (19mm)	1 1/32" - 1" (9-25mm)	1 Pair
TCHD1AS3ST	Brushed	Metal	-	3/4" (19mm)	1 1/32" - 1" (9-25mm)	1 Pair
TCHD1AS3WT	White	Metal	-	3/4" (19mm)	1 1/32" - 1" (9-25mm)	1 Pair
TCHD1AL1S3BT	Black	Metal	1 Leg	3/4" (19mm)	1 1/32" - 1" (9-25mm)	1 Pair
TCHD1AL2S3CT	Chrome	Metal	2 Legs	Fixed at 1 3/16" (21mm)	-	1 Pair
TCHD1AL2S3ST	Brushed	Metal	2 Legs	Fixed at 1 3/16" (21mm)	-	1 Pair
TCHD1AL2S3WT	White	Metal	2 Legs	Fixed at 1 3/16" (21mm)	-	1 Pair
TCHD1AL2S3BT	Black	Metal	2 Legs	Fixed at 1 3/16" (21mm)	-	1 Pair
TCHD1S3BT	Black	Metal/Wood/Vinyl	-	3/4" (19mm)	1 1/32" - 1" (9-25mm)	1 Pair
TCHD1L2S3BT	Black	Metal/Wood/Vinyl	2 Legs	Fixed at 1 3/16" (21mm)	-	1 Pair
TCHD2L1S3BT	Black	Vinyl/Wood	1 Leg	3/4" (19mm)	1 1/32" - 1" (9-25mm)	1 Pair
TCHD2L2S3BT	Black	Vinyl/Wood	2 Legs	Fixed at 1 3/16" (21mm)	-	1 Pair
TCHDCAPS3	Black	Safety Cap	-	-	-	1 Each

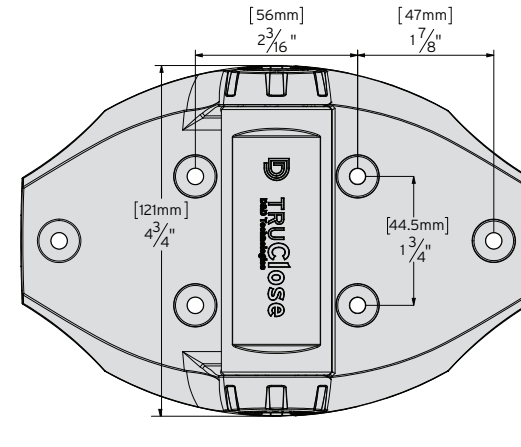
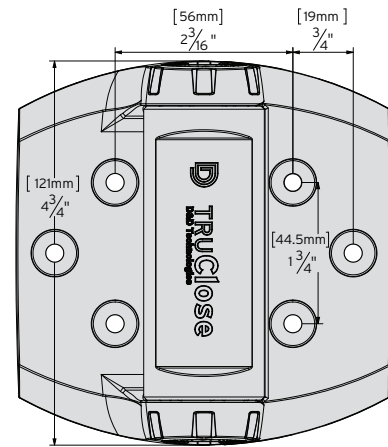
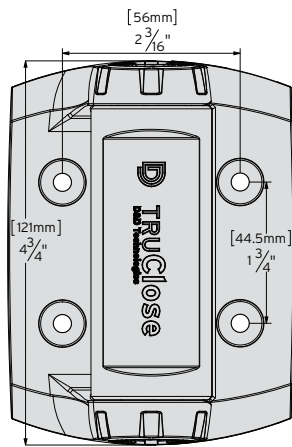
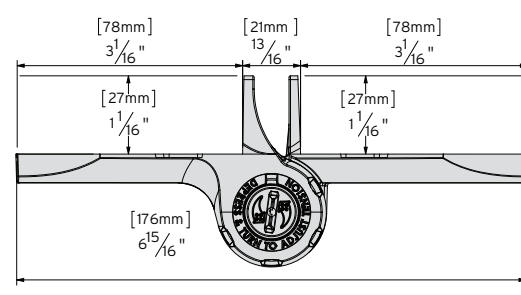
TCHD1AS3BT, TCHD1AL1S3BT, TCHD1AL2S3BT



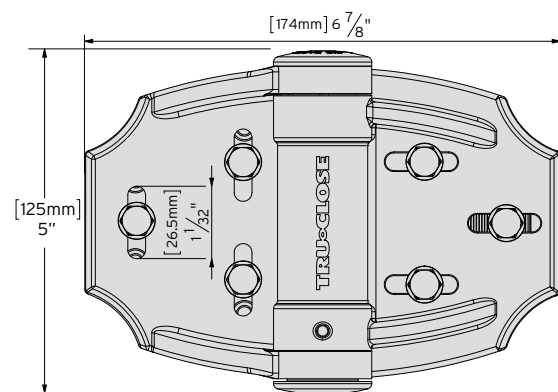
TCHD1S3BT, TCHD1L2S3BT



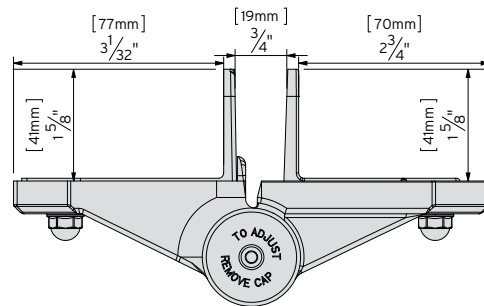
TCHD2L1S3BT, TCHD2L2S3BT



TRUClose HEAVY DUTY MULTI ADJUST



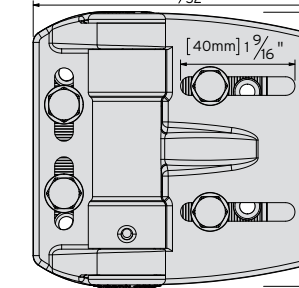
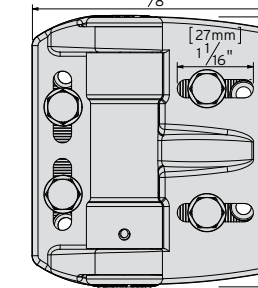
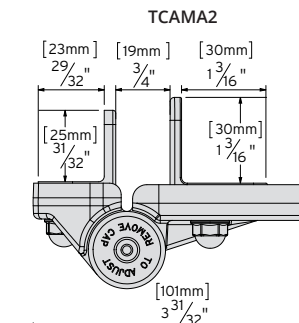
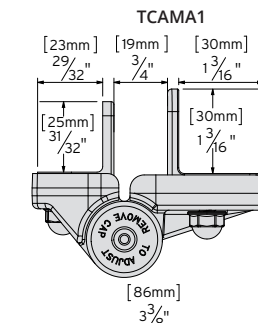
CODE	GATE MATERIAL	IDEAL GATE GAP	GAP VARIANCE	COLOR
TCHDMA1	Wood, Vinyl	1" (25mm)	5/8" - 1 3/8" (16-35mm)	Black
TCHDMA1WT	Wood, Vinyl	1" (25mm)	5/8" - 1 3/8" (16-35mm)	White



Vertical adjustment 3/4" (19mm)

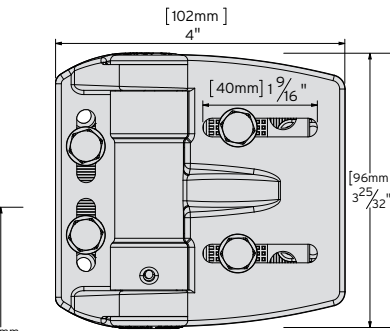
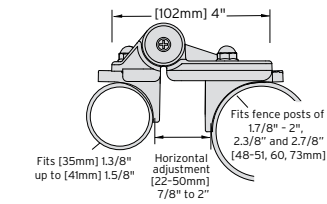
MINIMULTIADJUST

CODE	GATE MATERIAL	IDEAL GATE GAP	GAP VARIANCE	COLOR
TCAMA1	Metal, Wood, Vinyl	1 1/8" (29mm)	7/8" - 1 1/2" (22-38mm)	Black
TCAMA2	Metal, Wood, Vinyl	1 3/8" (35mm)	7/8" - 2" (22-50mm)	Black
TCAMA2WT	Metal, Wood, Vinyl	1 3/8" (35mm)	7/8" - 2" (22-50mm)	White



ROUND POST

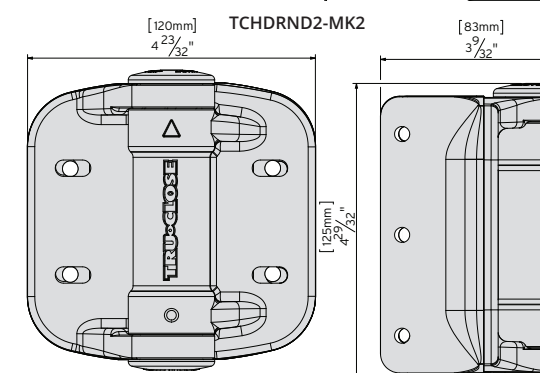
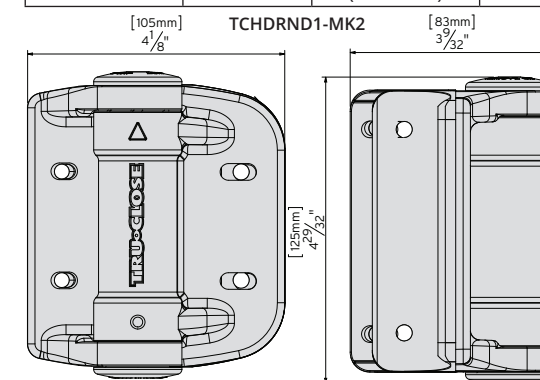
CODE	GATE MATERIAL	IDEAL GATE GAP	GAP VARIANCE	COLOR
TCAMA2RND	Chainlink	1 3/8" (35mm)	7/8" - 2" (22-50mm)	Black



VERTICAL ADJUSTMENT 3/4" (19mm)

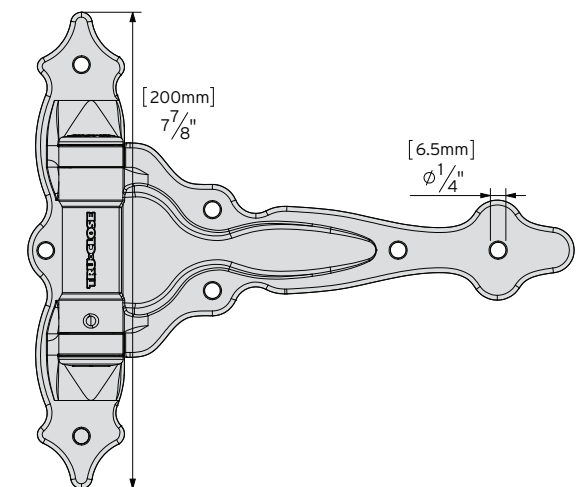
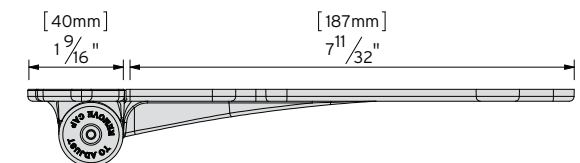
TRUClose ROUND

CODE	GATE MATERIAL	GAP VARIANCE	COLOR
TCHDRND1-MK2	Chainlink	3/4" - 1 3/8" (19-35mm)	Black
TCHDRND2-MK2	Chainlink	3/4" - 1 3/8" (19-35mm)	Black



DECOMOLD

CODE	GATE MATERIAL	GAP VARIANCE	COLOR
TCA4	Wood	3/4" - 1 3/8" (19-35mm)	Black



SELECTION GUIDE

MAGNALATCH

T-LATCH

LOKKLATCH

TRUCLOSE

SURECLOSE

KWIKFIT

GATE EXTRAS

DROP BOLTS

GLASS RANGE

DIMENSIONS

SUREClose **READYFit** Externally Mounted

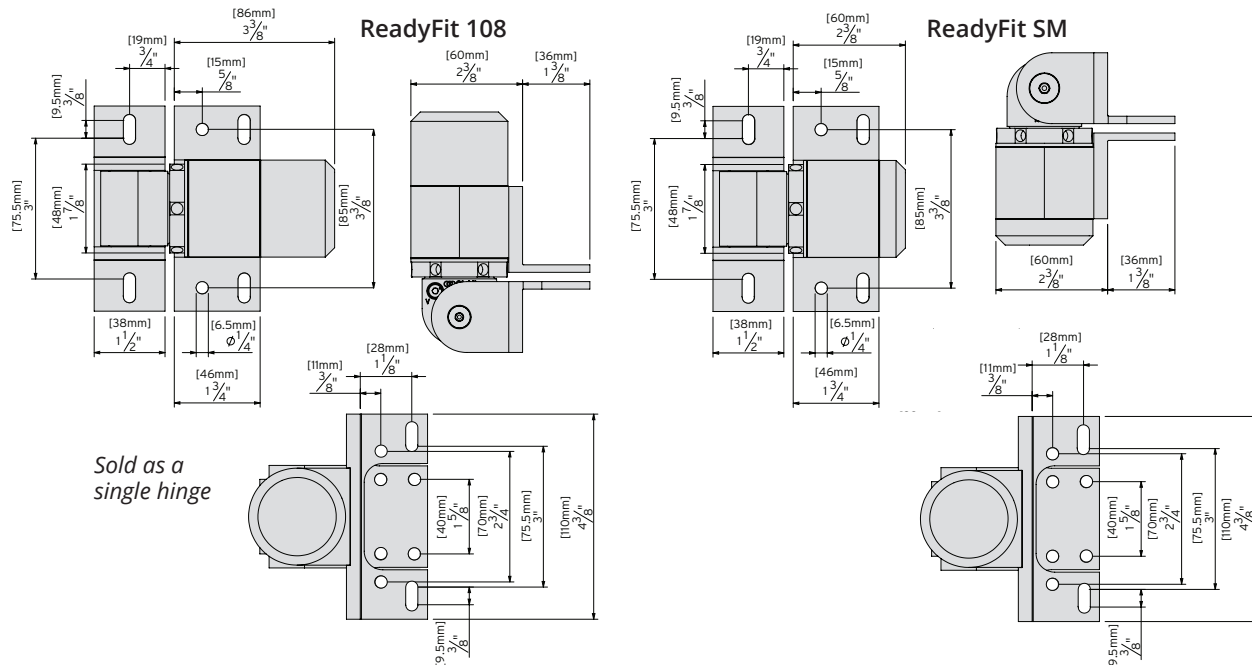
CODE*	MODEL	TYPE	SELF-CLOSING FROM	MAXIMUM GATE OPENING*	FINAL SNAP CLOSE ACTION	POOL/CHILD SAFETY**	GAP VARIANCE	FENCE POST SIZE MIN
74001313	RF SM S	Hinge - Aluminum Brackets	-	178°	-	-	½" - 1 ¾" (12-35mm)	2" (50mm)
74001315	RF SM W	Hinge - Steel Brackets	-	178°	-	-	½" - 1 ¾" (12-35mm)	2" (50mm)
74108313	RF 108 S	Hinge/Closer - Aluminum Brackets	83°	178°	Yes	-	½" - 1 ¾" (12-35mm)	2" (50mm)
74108315	RF 108 W	Hinge/Closer - Steel Brackets	83°	178°	Yes	-	½" - 1 ¾" (12-35mm)	2" (50mm)
74108323	RF 108SF S	Hinge/Closer - Safety Feature - Aluminum Brackets	88°	88°	Yes	Yes	½" - 1 ¾" (12-35mm)	2" (50mm)
74108325	RF 108SF W	Hinge/Closer - Safety Feature - Steel Brackets	88°	88°	Yes	Yes	½" - 1 ¾" (12-35mm)	2" (50mm)

*All mounting brackets and fasteners are included with ReadyFit Hinges.

**Use only SF model closers on pool/safety gates. Hinges must be at least 36" (900mm) apart so that they cannot be used as footholds by toddlers.

IMPORTANT: For maximum gate weights, see page 37.

CAUTION: A gate stop must be installed when using SF models. Gate must not be allowed to open past 90°. Doing so voids warranty.

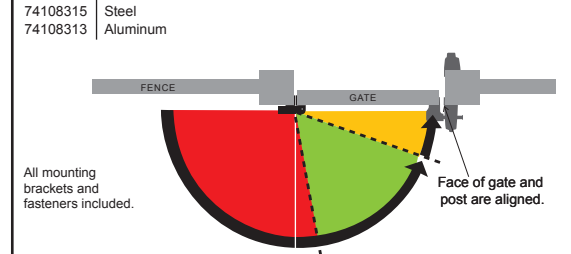


SUREClose **READYFit**

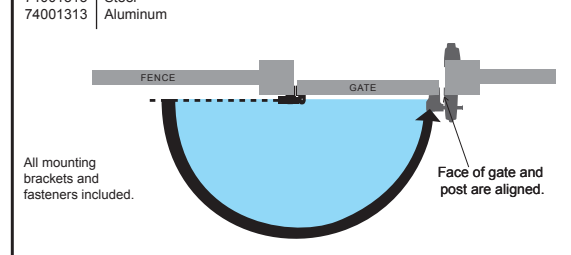
GATE FUNCTION

- Hold-open
Not for safety gates
- Self-closing
Speed adjustable
- Final snap-close action
For electric/coded locks
- Free-swinging

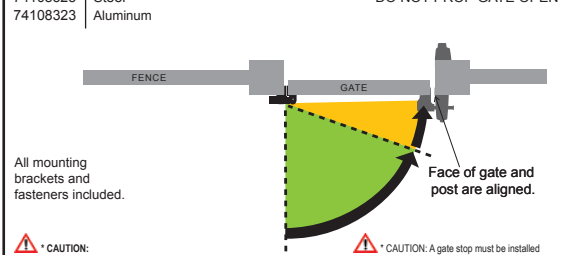
ReadyFit Brackets **SELF-CLOSING - NON SAFETY**
Models | Bracket Material
74108315 | Steel
74108313 | Aluminum
Not suitable for child/pool safety



ReadyFit Brackets **NON SELF-CLOSING**
Models | Bracket Material
74001315 | Steel
74001313 | Aluminum
Not suitable for child/pool safety



ReadyFit Brackets **SELF-CLOSING - SAFETY (SF Model)**
Models | Bracket Material
74108325 | Steel
74108323 | Aluminum
Suitable for child/pool safety*
DO NOT PROP GATE OPEN



CAUTION: When used on swimming pool gates, always consult local authorities for swimming pool Codes. **CAUTION:** A gate stop must be installed when using SF models. Gate must not be allowed to open past 90°. Doing so voids warranty.

SUREClose Internally Mounted

CENTER MOUNT

CODE*	MODEL	TYPE	HINGE MATERIAL	SELF-CLOSING FROM	MAXIMUM GATE OPENING	FINAL SNAP ACTION	POOL/CHILD SAFETY**	GAP VARIANCE	FENCE POST SIZE MINIMUM
75001113	SM S	Hinge	Aluminum (Screw-on)	-	90°	-	-	2 ½" - 3" (64-76mm)	2 ½" (64mm)
75057113	57 S	Hydraulic Closer & Hinge	Aluminum (Screw-on)	85°	90°	-	-	2 ½" - 3" (64-76mm)	2 ½" (64mm)
75057123	57SF S	Hydraulic Closer & Hinge	Aluminum (Screw-on)	90°	90°	-	Yes	2 ½" - 3" (64-76mm)	2 ½" (64mm)
75108113	108 S	Hydraulic Closer & Hinge w/ Final Snap Action	Aluminum (Screw-on)	85°	90°	Yes	-	2 ½" - 3" (64-76mm)	3" (76mm)
75108123	108SF S	Hydraulic Closer & Hinge w/ Final Snap Action	Aluminum (Screw-on)	90°	90°	Yes	Yes	2 ½" - 3" (64-76mm)	3" (76mm)
75001114	SM W	Hinge	Steel (Weld-on)	-	90°	-	-	2 ½" - 3" (64-76mm)	2 ½" (64mm)
75057114	57 W	Hydraulic Closer & Hinge	Steel (Weld-on)	85°	90°	-	-	2 ½" - 3" (64-76mm)	2 ½" (64mm)
75057124	57SF W	Hydraulic Closer & Hinge	Steel (Weld-on)	90°	90°	-	Yes	2 ½" - 3" (64-76mm)	2 ½" (64mm)
75108114	108 W	Hydraulic Closer & Hinge w/ Final Snap Action	Steel (Weld-on)	85°	90°	Yes	-	2 ½" - 3" (64-76mm)	3" (76mm)
75108124	108SF W	Hydraulic Closer & Hinge w/ Final Snap Action	Steel (Weld-on)	90°	90°	Yes	Yes	2 ½" - 3" (64-76mm)	3" (76mm)

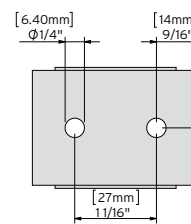
*Gate mounting brackets included with hinge. Post-mounting brackets sold separately. Fasteners not included.

**Use only SF model closers on pool/safety gates. Hinges must be at least 36" (900mm) apart so that they cannot be used as footholds by toddlers.

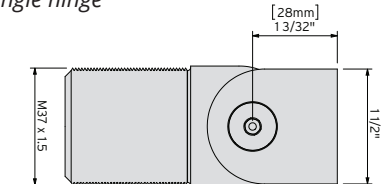
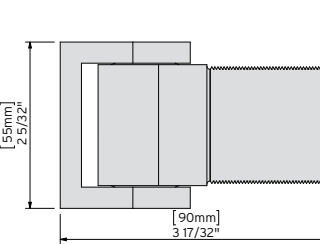
IMPORTANT: For maximum gate weights, see page 39.

CAUTION: A gate stop must be installed when using SF models. Gate must not be allowed to open past 90°. Doing so voids warranty.

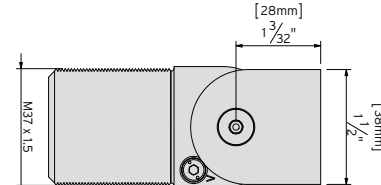
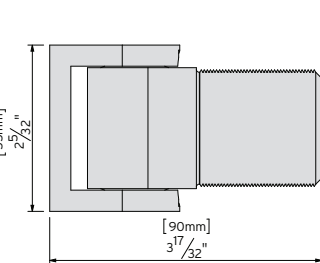
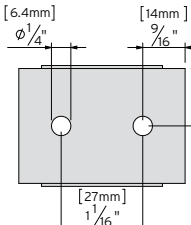
SM S



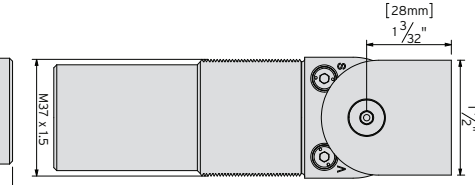
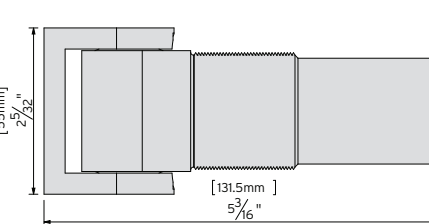
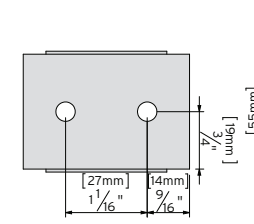
Sold as a single hinge



57 S & 57SF S



108 S & 108SF S



SELECTION GUIDE

MAGNALATCH

T-LATCH

LOKKLATCH

TRUCLOSE

SURECLOSE

KWIKFIT

GATE EXTRAS

DROP BOLTS

GLASS RANGE

DIMENSIONS

FLUSH MOUNT

CODE*	MODEL	TYPE	HINGE MATERIAL	SELF-CLOSING FROM	MAXIMUM GATE OPENING	FINAL SNAP ACTION	POOL/CHILD SAFETY**	GAP VARIANCE	FENCE POST SIZE MIN*
75001213	SM AT90 S	Hinge	Aluminum Screw-on	-	178°	-	-	Fixed 1/2" (13mm)	2" (50mm)
75057213	57 AT90 S	Hydraulic Closer & Hinge	Aluminum Screw-on	85°	178°	-	-	Fixed 1/2" (13mm)	2" (50mm)
75057223	57SF AT90 S	Hydraulic Closer & Hinge	Aluminum Screw-on	90°	88°	-	Yes	Fixed 1/2" (13mm)	2" (50mm)
75108213	108 AT90 S	Hydraulic Closer & Hinge w/ Final Snap Action	Aluminum Screw-on	85°	178°	Yes	-	Fixed 1/2" (13mm)	3" (76mm)
75108223	108SF AT90 S	Hydraulic Closer & Hinge w/ Final Snap Action	Aluminum Screw-on	90°	88°	Yes	Yes	Fixed 1/2" (13mm)	3" (76mm)
75001214	SM AT90 W	Heavy-Duty Hinge	Steel Weld-on	-	178°	-	-	Fixed 1/2" (13mm)	2" (50mm)
75057214	57 AT90 W	Hydraulic Closer & Hinge	Steel Weld-on	85°	178°	-	-	Fixed 1/2" (13mm)	2" (50mm)
75057224	57SF AT90 W	Hydraulic Closer & Hinge	Steel Weld-on	90°	88°	-	Yes	Fixed 1/2" (13mm)	2" (50mm)
75108214	108 AT90 W	Hydraulic Closer & Hinge w/ Final Snap Action	Steel Weld-on	85°	178°	Yes	-	Fixed 1/2" (13mm)	3" (76mm)
75108224	108SF AT90 W	Hydraulic Closer & Hinge w/ Final Snap Action	Steel Weld-on	90°	88°	Yes	Yes	Fixed 1/2" (13mm)	3" (76mm)

*Gate mounting brackets included with hinge. Post mounting brackets sold separately. Fasteners not included.

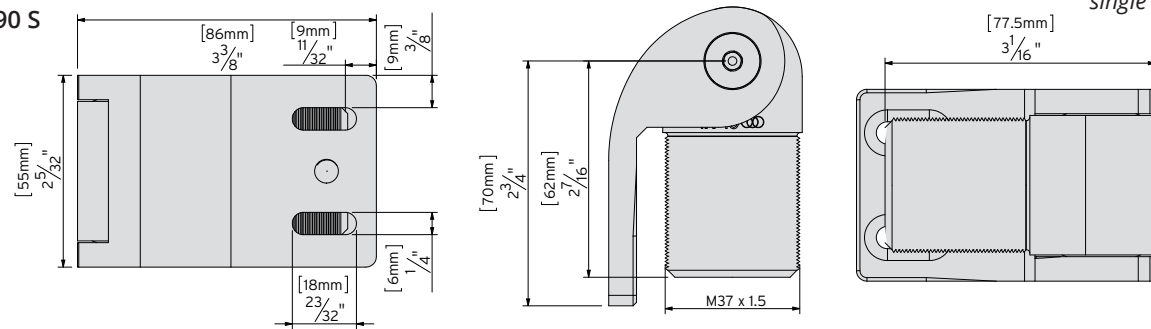
**Use only SF model closers on pool/safety gates. Hinges must be at least 36" (900mm) apart so that they cannot be used as footholds by toddlers.

IMPORTANT: For maximum gate weights, see page 38.

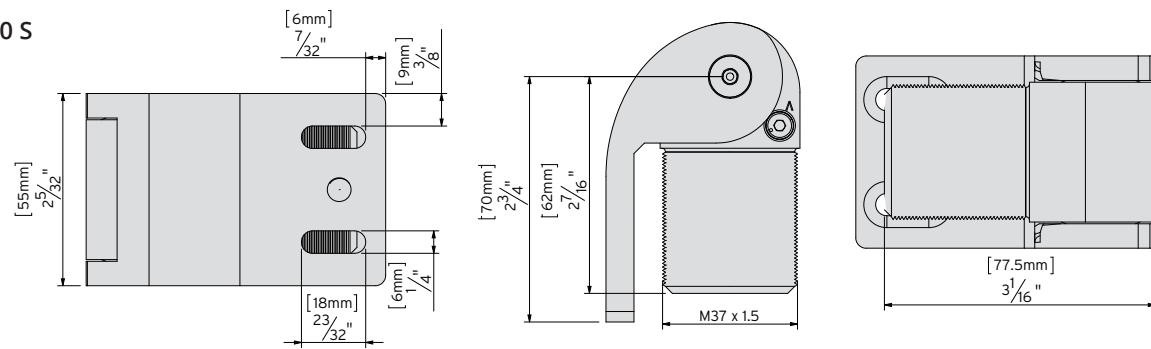
CAUTION: A gate stop must be installed when using SF models. Gate must not be allowed to open past 90°. Doing so voids warranty.

Sold as a single hinge

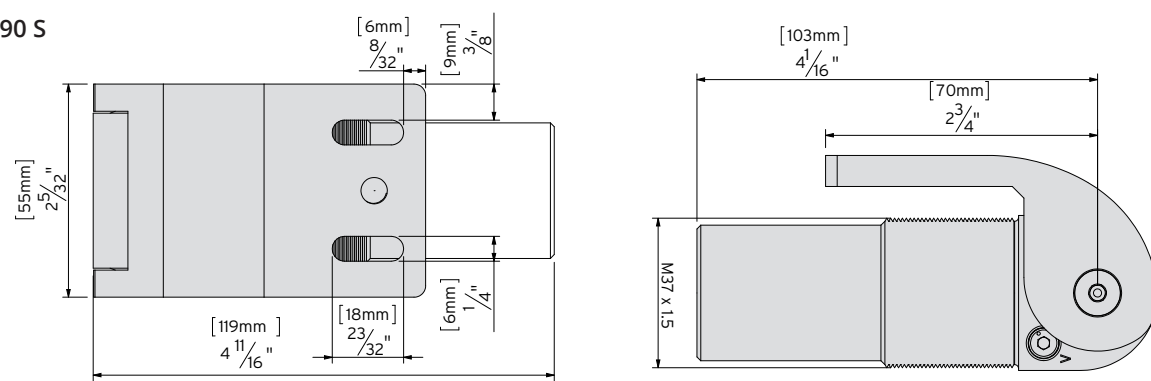
SM AT90 S



57 AT90 S



108 AT90 S



GATE FUNCTION

- Hold-open (Red)
- Not for safety gates (Red)
- Final snap-close action For electric/coded locks (Yellow)
- Self-closing Speed adjustable (Green)
- Free-swinging (Blue)

Flush Mount Brackets	SELF-CLOSING - NON SAFETY	Flush Mount Brackets	SELF-CLOSING - SAFETY (SF Model)
Models Bracket Material 75108214 Steel 75108213 Aluminum	Not suitable for child/pool safety	Models Bracket Material 75108224 Steel 75108223 Aluminum	Suitable for child/pool safety* DO NOT PROP GATE OPEN
Use post bracket: 7525 Steel 7515 Aluminum	Flush Mount: Face of gate and post are aligned.	Use post bracket: 7525 (W) 7515 Aluminum	Flush Mount: Face of gate and post are aligned.
		CAUTION: When used on swimming pool gates, always consult local authorities for swimming pool Codes.	CAUTION: A gate stop must be installed when using SF models. Gate must not be allowed to open past 90°. Doing so voids warranty.
Center Mount Brackets	SELF-CLOSING - NON SAFETY	Center Mount Brackets	SELF-CLOSING - SAFETY (SF Model)
Models Bracket Material 75108114 Steel 75108113 Aluminum	Not suitable for child/pool safety	Models Bracket Material 75108124 Steel 75108123 Aluminum	Suitable for child/pool safety* DO NOT PROP GATE OPEN
Use post bracket: 7526 Steel 7511 Aluminum 7512 Aluminum 7513 Aluminum 7514 Aluminum	Center Mount: Center of gate and post are aligned.	Use post bracket: 7526 Steel 7511 Aluminum 7512 Aluminum 7513 Aluminum 7514 Aluminum	Center Mount: Center of gate and post are aligned.
		CAUTION: When used on swimming pool gates, always consult local authorities for swimming pool Codes.	CAUTION: A gate stop must be installed when using SF models. Gate must not be allowed to open past 90°. Doing so voids warranty.
Flush Mount Brackets	SELF-CLOSING - NON SAFETY	Flush Mount Brackets	SELF-CLOSING - SAFETY (SF Model)
Models Bracket Material 75057214 Steel 75057213 Aluminum	Not suitable for child/pool safety	Models Bracket Material 75057224 Steel 75057223 Aluminum	Suitable for child/pool safety* DO NOT PROP GATE OPEN
Use post bracket: 7525 Steel 7515 Aluminum	Flush Mount: Face of gate and post are aligned.	Use post bracket: 7525 Steel 7515 Aluminum	Flush Mount: Face of gate and post are aligned.
		CAUTION: When used on swimming pool gates, always consult local authorities for swimming pool Codes.	CAUTION: A gate stop must be installed when using SF models. Gate must not be allowed to open past 90°. Doing so voids warranty.
Center Mount Brackets	SELF-CLOSING - NON SAFETY	Center Mount Brackets	SELF-CLOSING - SAFETY (SF Model)
Models Bracket Material 75057114 Steel 75057113 Aluminum	Not suitable for child/pool safety	Models Bracket Material 75057124 Steel 75057123 Aluminum	Suitable for child/pool safety* DO NOT PROP GATE OPEN
Use post bracket: 7526 Steel 7511 Aluminum 7512 Aluminum 7513 Aluminum 7514 Aluminum	Center Mount: Center of gate and post are aligned.	Use post bracket: 7526 Steel 7511 Aluminum 7512 Aluminum 7513 Aluminum 7514 Aluminum	Center Mount: Center of gate and post are aligned.
		CAUTION: When used on swimming pool gates, always consult local authorities for swimming pool Codes.	CAUTION: A gate stop must be installed when using SF models. Gate must not be allowed to open past 90°. Doing so voids warranty.
Flush Mount Brackets	NON SELF-CLOSING	Center Mount Brackets	NON SELF-CLOSING
Models Bracket Material 75001214 Steel 75001213 Aluminum		Models Bracket Material 75001114 Steel 75001113 Aluminum	
Use post bracket: 7525 Steel 7515 Aluminum	Flush Mount: Face of gate and post are aligned.	Use post bracket: 7526 Steel 7511 Aluminum 7512 Aluminum 7513 Aluminum 7514 Aluminum	Center Mount: Center of gate and post are aligned.



SELECTION GUIDE

MAGNALATCH

T-LATCH

LOKKLATCH

TRUCLOSE

SURECLOSE

KWIKFIT

GATE EXTRAS

DROP BOLTS

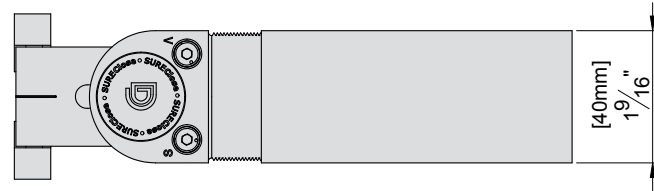
GLASS RANGE

DIMENSIONS

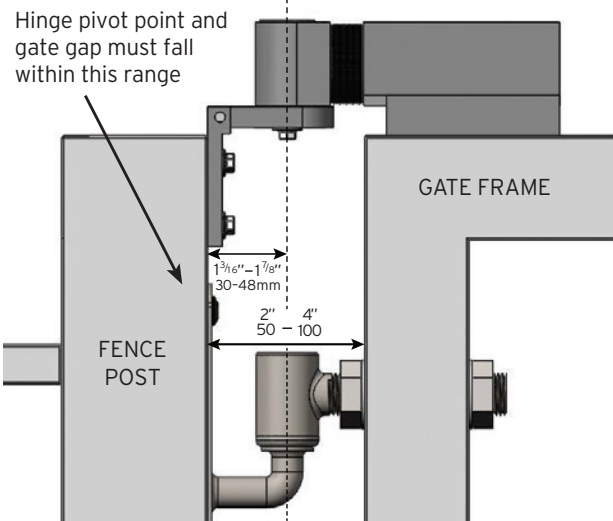
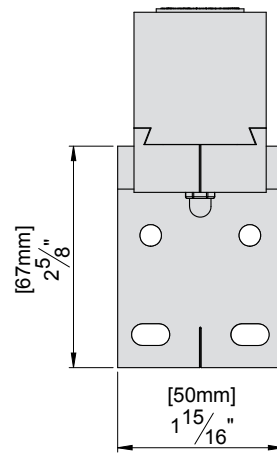
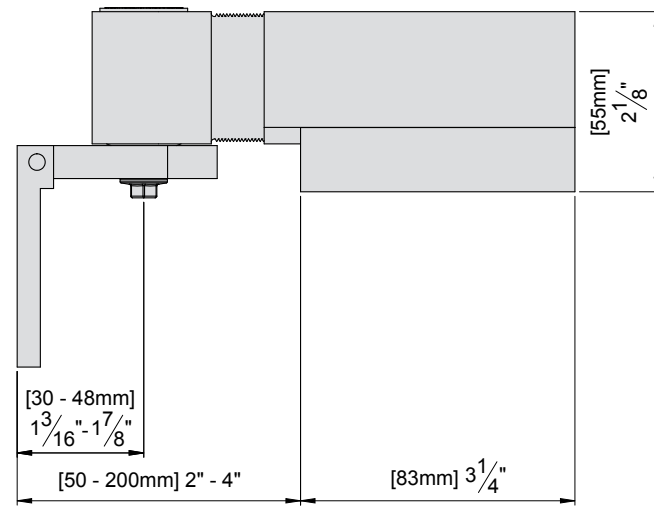


CODE*	MODEL	TYPE	SELF-CLOSING FROM	MAXIMUM GATE OPENING	FINAL SNAP ACTION	POOL/CHILD SAFETY**	GAP VARIANCE	FENCE POST SIZE MIN.
72108423	SCE 108SF S	Closer - Aluminum Brackets	90°	90°	Yes	Yes	2" - 4" (50-100mm)	2" (50mm)

*All EASY closers include fasteners, gate and post-mounting brackets.
 **Yes (SF) = Gate will not hold open at 90° (OK for safety gates). Do NOT use a hinge with a 90° hold-open feature (-) for pool/child safety gates. Hinges must be at least 36" (900mm) apart so that they cannot be used as footholds by toddlers. IMPORTANT: For maximum gate weights, see weight chart on page 41.
 CAUTION: A gate stop must be installed when using SF models. Gate must not be allowed to open past 90°. Doing so voids warranty.



Sold as a single closer



GATE FUNCTION

- Final snap-close action
For electric/coded locks
- Self-closing
Speed adjustable

EASY Hinge-Closer

Models | Bracket Material

72108423 | Aluminum

Mounting Brackets & Fasteners included

SELF-CLOSING - SAFETY (SF Model)

Suitable for child/pool safety*

DO NOT PROP GATE OPEN

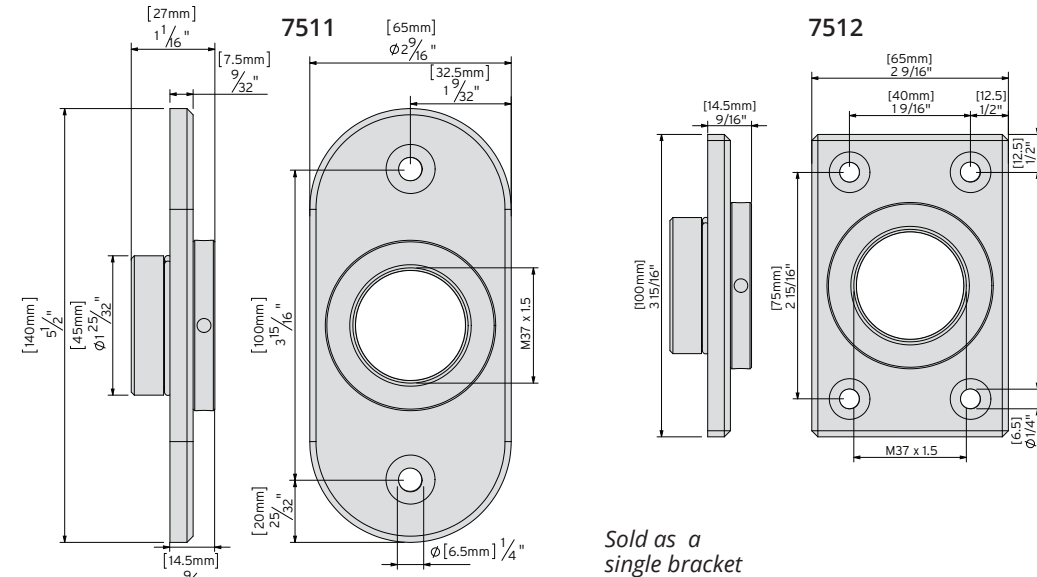
Center Mounted:
Center of gate and post are aligned.

* CAUTION: When used on swimming pool gates, always consult local authorities for swimming pool Codes.

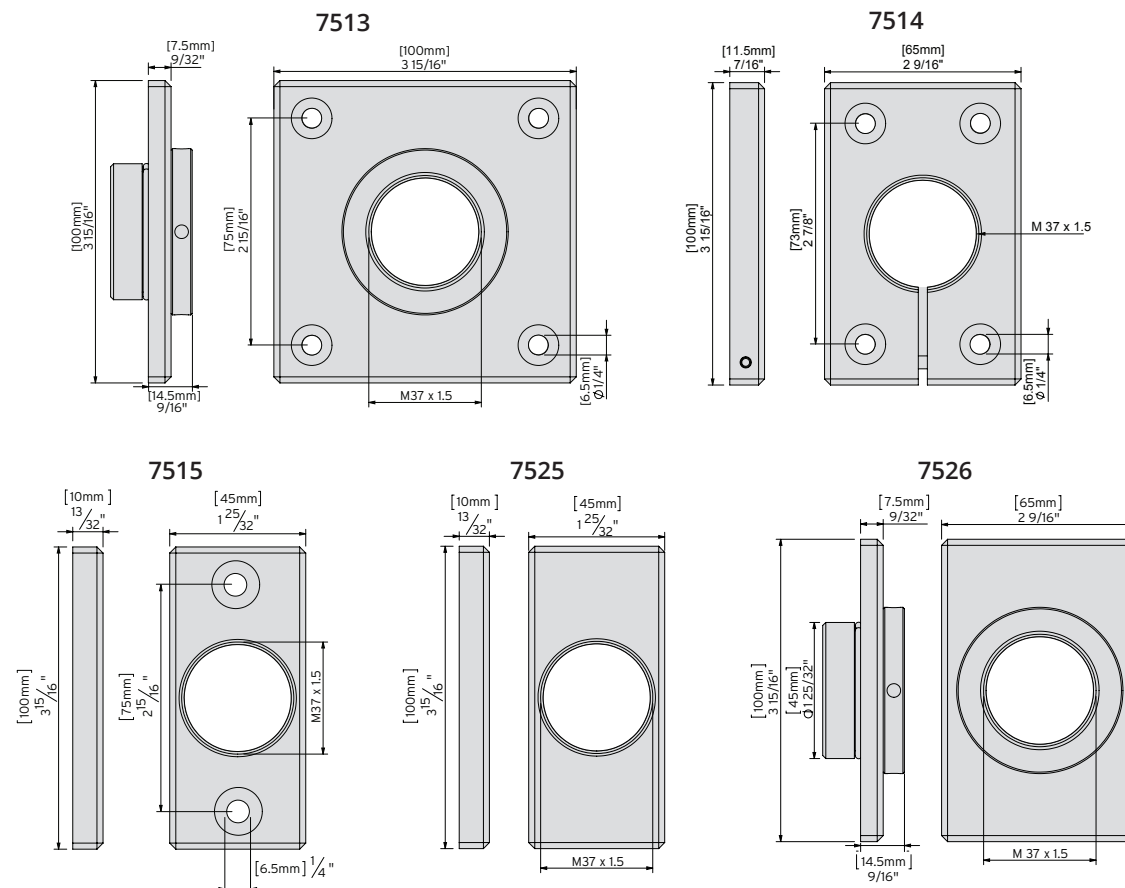
* CAUTION: A gate stop must be installed when using SF models. Gate must not be allowed to open past 90°. Doing so voids warranty.



CODE*	TYPE	MODEL/FEATURE	MOUNT TYPE	MAX. GATE OPENING	HORIZONTAL ADJUSTMENT	GAP VARIANCE	FENCE POST SIZE MIN.
7511	6026-01	Aluminum	Center	90°	Yes	2 1/2" - 3" (64-76mm)	2 1/2" (64mm)
7512	6026-02	Aluminum	Center	90°	Yes	2 1/2" - 3" (64-76mm)	2 1/2" (64mm)
7513	6026-03	Aluminum	Center	90°	Yes	2 1/2" - 3" (64-76mm)	4" (102mm)
7514	6026-04	Aluminum with Side Fixing Clamp	Center	90°	-	2 1/2" (64mm)	2 1/2" (64mm)
7515	6026-05	Aluminum	Flush	180°	-	1/2" (13mm)	2" (50mm)
7525	0510-04	Steel	Flush	180°	-	1/2" (13mm)	2" (50mm)
7526	0510-05	Steel	Center	90°	Yes	2 1/2" - 3" (64-76mm)	2 1/2" (64mm)



Sold as a single bracket



SELECTION GUIDE

MAGNALATCH

T-LATCH

LOKKLATCH

TRUCLOSE

SURECLOSE

KWIKFIT

GATE EXTRAS

DROP BOLTS

GLASS RANGE

DIMENSIONS

Product Dimensions

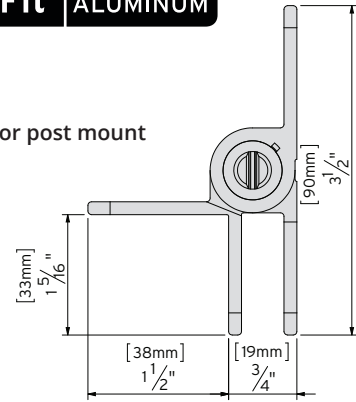
For 2D CAD and CSI Specifications, go to www.ddtechglobal.com

KwikFit ALUMINUM

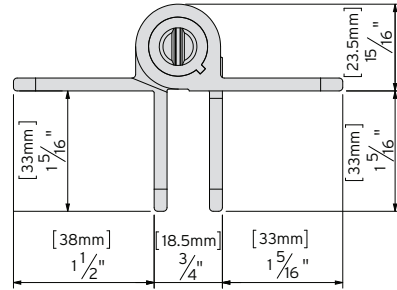
CODE	COLOR	MODEL/FEATURE	GAP VARIANCE
KF3ABL	Black	Wall or post mounted	Fixed at 3/4" (19mm)
KF3ABR	Bronze	Wall or post mounted	Fixed at 3/4" (19mm)
KF3AWT	White	Wall or post mounted	Fixed at 3/4" (19mm)
KF3BL	Black	Alignment ridges	Fixed at 1/2" (13mm)
KF3BR	Bronze	Alignment ridges	Fixed at 1/2" (13mm)
KF3WT	White	Alignment ridges	Fixed at 1/2" (13mm)
KF3L2BL	Black	2 Side fixing legs	Fixed at 1/2" (13mm)
KF3L2BR	Bronze	2 Side fixing legs	Fixed at 1/2" (13mm)
KF3L2WT	White	2 Side fixing legs	Fixed at 1/2" (13mm)

NOTE: KwikFit Aluminum hinges are sold as single hinges. For pairs and other kitting options, please contact your D&D sales representative.

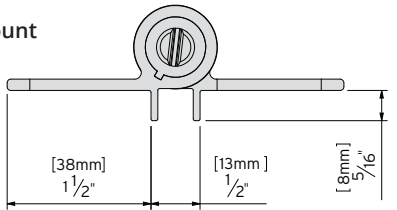
KF3A - Wall or post mount



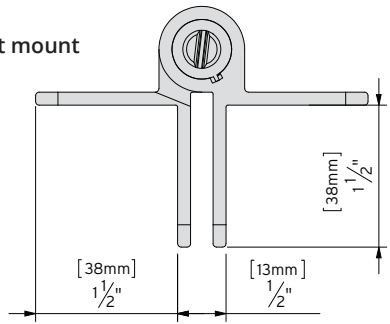
Sold as a single hinge



KF3 - Post mount

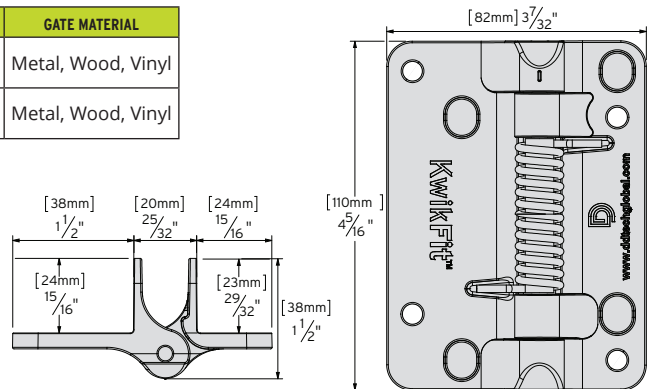


KF3L2 - Post mount



KwikFit POLYMER

CODE	COLOR	MODEL/FEATURE	GATE GAP	GATE MATERIAL
KFP	Black	Plain pivoting - No spring	Fixed at 3/4" (19mm)	Metal, Wood, Vinyl
KFS	Black	Self-closing - fixed tension	Fixed at 3/4" (19mm)	Metal, Wood, Vinyl

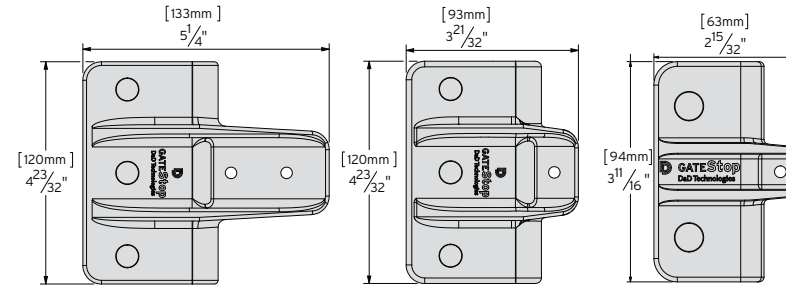


Product Dimensions

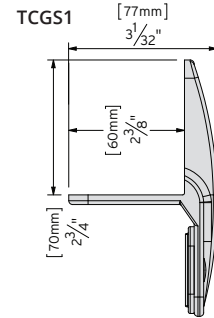
For 2D CAD and CSI Specifications, go to www.ddtechglobal.com

GATEStop

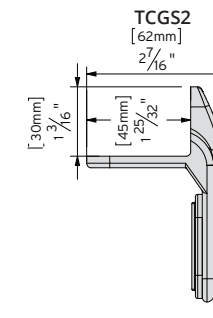
CODE	COLOR	GATE MATERIAL
TCGS1	Black, White	Wood, Vinyl
TCGS2	Black	Metal, Wood, Vinyl
TCGS3	Black	Metal



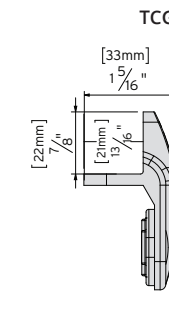
TCGS1



TCGS2

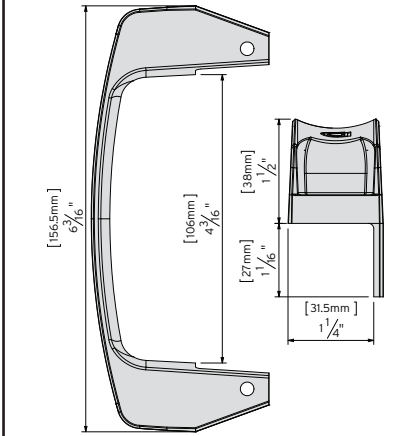


TCGS3



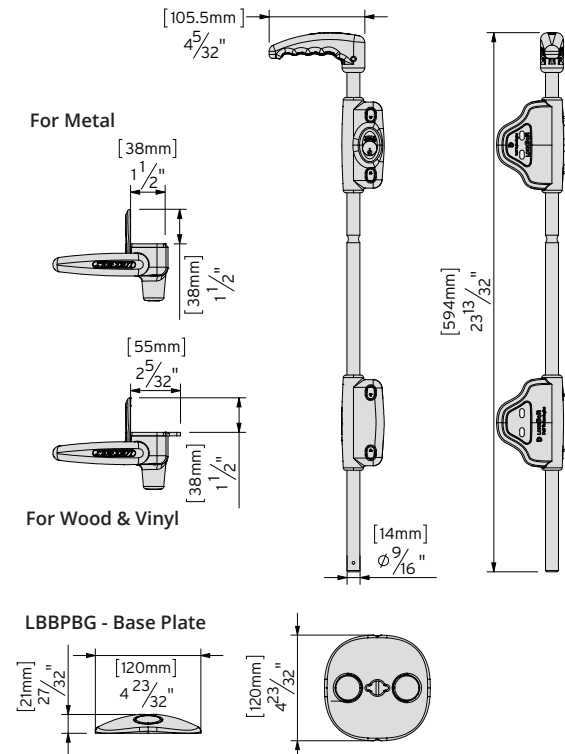
GATEHandle

CODE	COLOR	GATE MATERIAL
LL3GH	Black	Metal, Wood, Vinyl



LOKKBolt

CODE	COLOR	GATE MATERIAL	BOLT LENGTH
LB118BX	Black, White	Metal	18" (450mm)
LB124BX	Black, White	Metal	24" (610mm)
LB218BX	Black	Wood, Vinyl	18" (450mm)
LB224BX	Black	Wood, Vinyl	24" (610mm)
LBBPGB	Black	Optional Base Plate	-



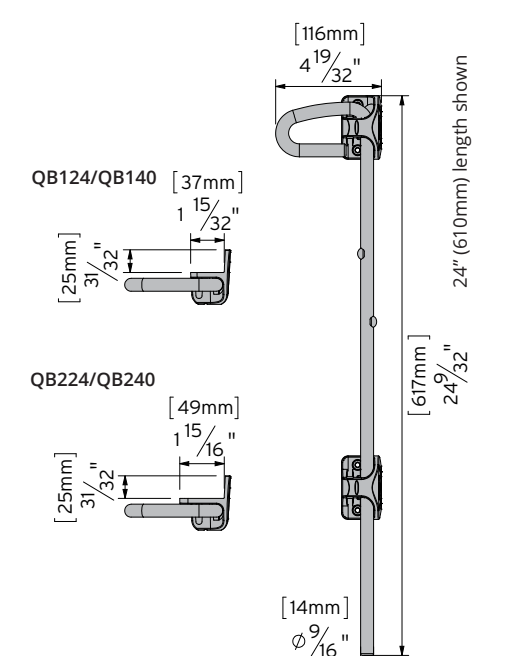
For Metal

For Wood & Vinyl

LBBPGB - Base Plate

q-Bolt

CODE	COLOR	GATE MATERIAL	BOLT LENGTH
QB124	Black	Metal	24" (610mm)
QB224	Black	Wood, Vinyl	24" (610mm)
QB140	Black	Metal	40" (1020mm)
QB240	Black	Wood, Vinyl	40" (1020mm)



QB124/QB140

QB224/QB240



SELECTION GUIDE

MAGNALATCH

T-LATCH

LOKKLATCH

TRUCLOSE

SURECLOSE

KWIKFIT

GATE EXTRAS

DROP BOLTS

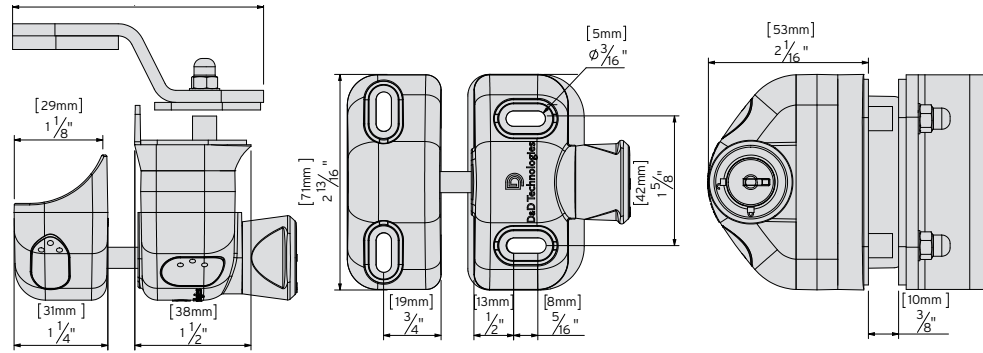
GLASS RANGE

DIMENSIONS

MAGNALatch Gate latch for glass gates

CODE	COLOR	MODEL/FEATURE	APPLICATION
MLSPS2LGHK	Black	Lockable Glass Kit	Fits 5/16" - 3/8" (8-10mm) glass
MLSPS2GHK	Black	Glass Kit	Fits 5/16" - 3/8" (8-10mm) glass

Fits 2" (50mm) round posts to frameless glass gates.

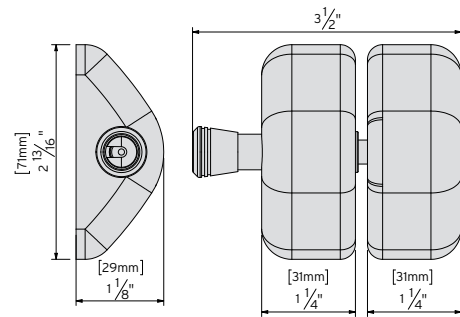


NOTE: Gate Stops available in Silver Pearl, Black and Mill finishes. Contact your D&D sales representative for more detail.

Vizage Side Pull

CODE	FINISH	MODEL/FEATURE
MLSPS2VPSS	Polished	316 marine-grade stainless
MLSPS2VBSS	Brushed	316 marine-grade stainless

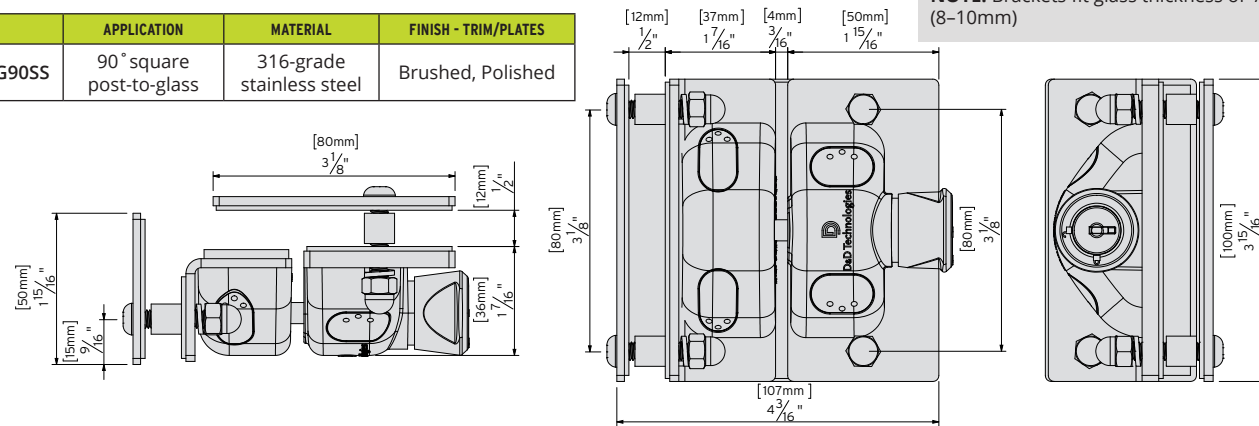
The Vizage™ stainless steel gates latches are non-locking. Contact D&D Technologies for glass mounting brackets.



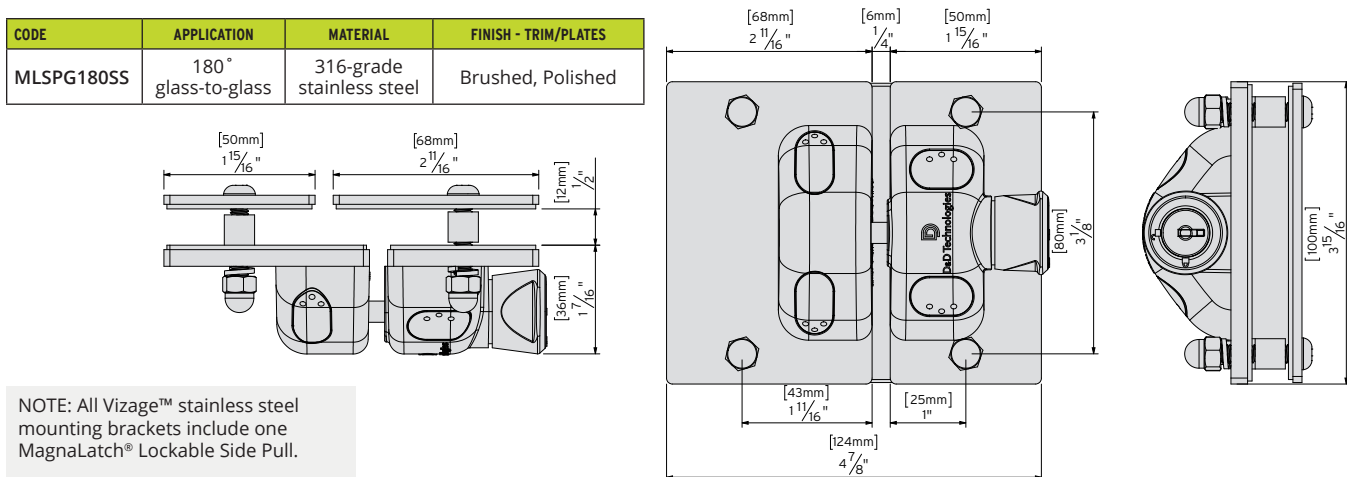
Vizage Stainless steel mounting brackets for glass gates

CODE	APPLICATION	MATERIAL	FINISH - TRIM/PLATES
MLSPG90SS	90° square post-to-glass	316-grade stainless steel	Brushed, Polished

NOTE: All stainless steel mounting brackets include one MagnaLatch® Lockable Side Pull. **NOTE:** Brackets fit glass thickness of 5/16" - 3/8" (8-10mm)



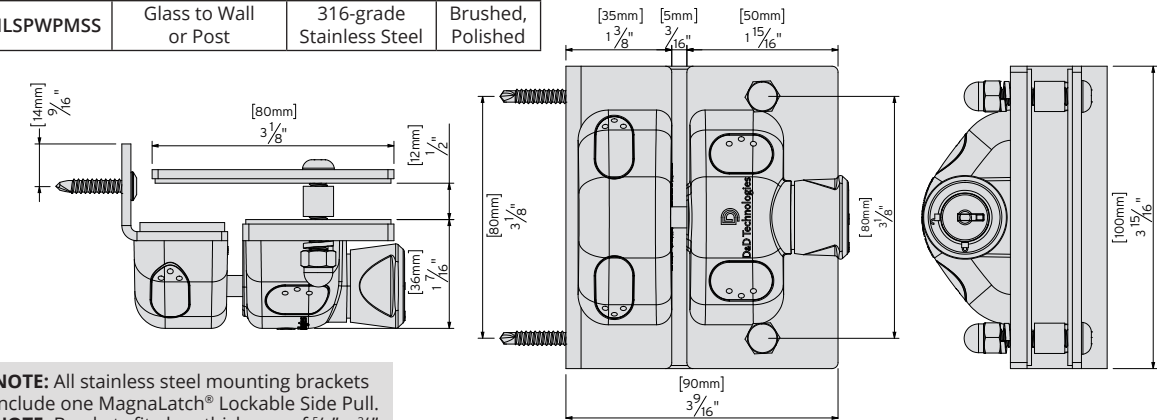
CODE	APPLICATION	MATERIAL	FINISH - TRIM/PLATES
MLSPG180SS	180° glass-to-glass	316-grade stainless steel	Brushed, Polished



NOTE: All Vizage™ stainless steel mounting brackets include one MagnaLatch® Lockable Side Pull.

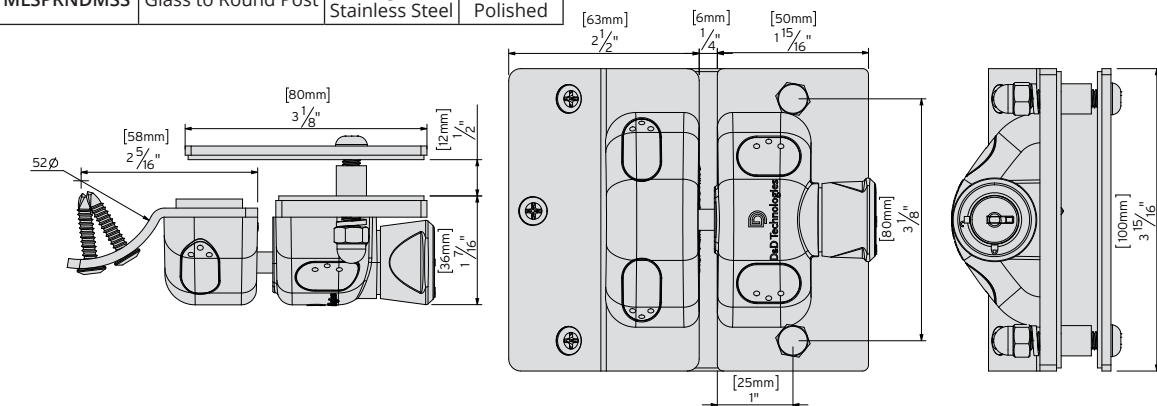
Vizage Stainless steel mounting brackets for glass gates

CODE	APPLICATION	MATERIAL	FINISH - TRIM/PLATES
MLSPWPMSS	Glass to Wall or Post	316-grade Stainless Steel	Brushed, Polished



NOTE: All stainless steel mounting brackets include one MagnaLatch® Lockable Side Pull. **NOTE:** Brackets fit glass thickness of 5/16" - 3/8" (8-10mm)

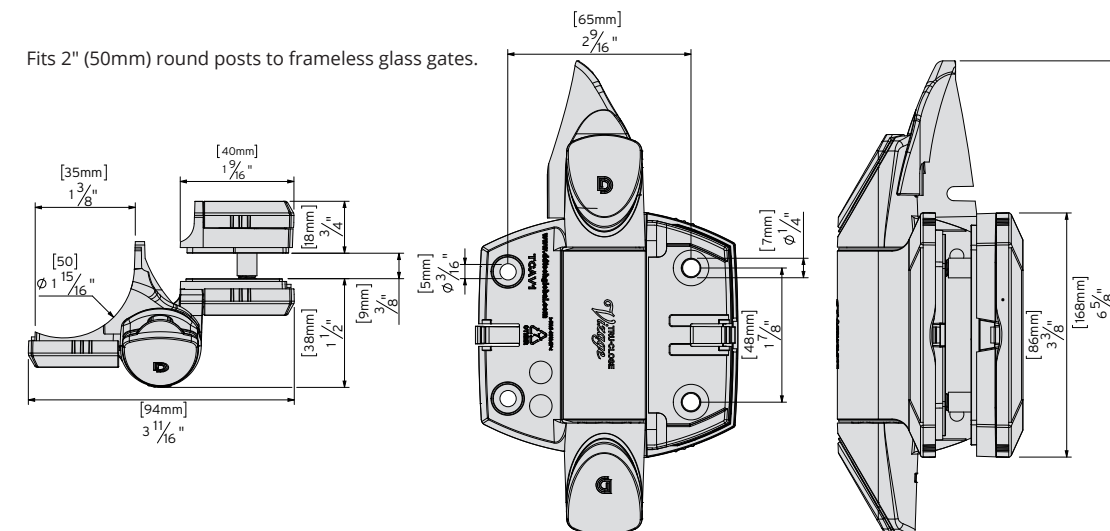
CODE	APPLICATION	MATERIAL	FINISH - TRIM/PLATES
MLSPRNDMSS	Glass to Round Post	316-grade Stainless Steel	Brushed, Polished



Vizage Gate Hinge for glass gates

CODE	APPLICATION	IDEAL GATE GAP	FINISH - TRIM
TCAV1-BSS	Fits 5/16" - 3/8" (6-8mm) glass	3/4" (19mm)	Brushed
TCAV1-PSS	Fits 5/16" - 3/8" (6-8mm) glass	3/4" (19mm)	Polished

Fits 2" (50mm) round posts to frameless glass gates.



For additional product information please contact us or visit us online at www.ddtechglobal.com



SELECTION GUIDE

MAGNALATCH

T-LATCH

LOKKLATCH

TRUCLOSE

SURECLOSE

KWIKFIT

GATE EXTRAS

DROP BOLTS

GLASS RANGE

DIMENSIONS



D&D Technologies

World's most trusted gate hardware

AUSTRALIA:

D&D Technologies P/L, Unit 6, 4-6 Aquatic Drive,
Frenchs Forest NSW 2086
Tel: 1800 500 203 or (02) 9454 7888 Fax: (02) 9454 7688.
E-mail: sales@ddtech.com.au

NORTH & SOUTH AMERICA:

D&D Technologies (USA) Inc., 17531 Metzler Lane
Huntington Beach, CA 92647
Tel: (800) 716-0888 or (714) 677-1300
Fax: (800) 464-6400 or (714) 677-1299
E-mail: info@ddtechusa.com

EUROPE:

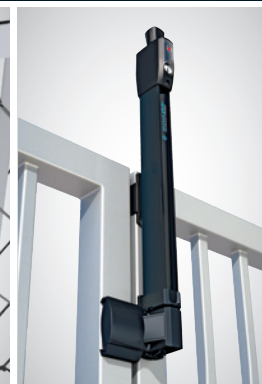
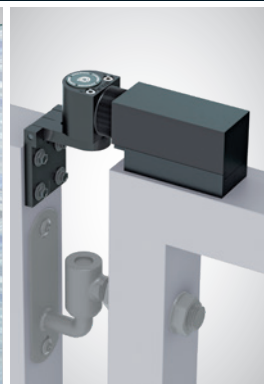
D&D Technologies B.V., Vondellaan Niasstraat 1
3531 WR Utrecht, The Netherlands
Tel: +31 (0)30 291 98 47 Fax: +31 (0)30 291 99 98
E-mail: sales@ddtech.nl

UK:

D&D Technologies, Charlwoods Road,
East Grinstead, West Sussex RH19 2HR
Tel: +44 (0) 1342 327280 Fax: +44 (0) 1342 327115
Email: enquiries@ddtechglobal.co.uk



The world's most trusted gate hardware



AVAILABLE FROM

