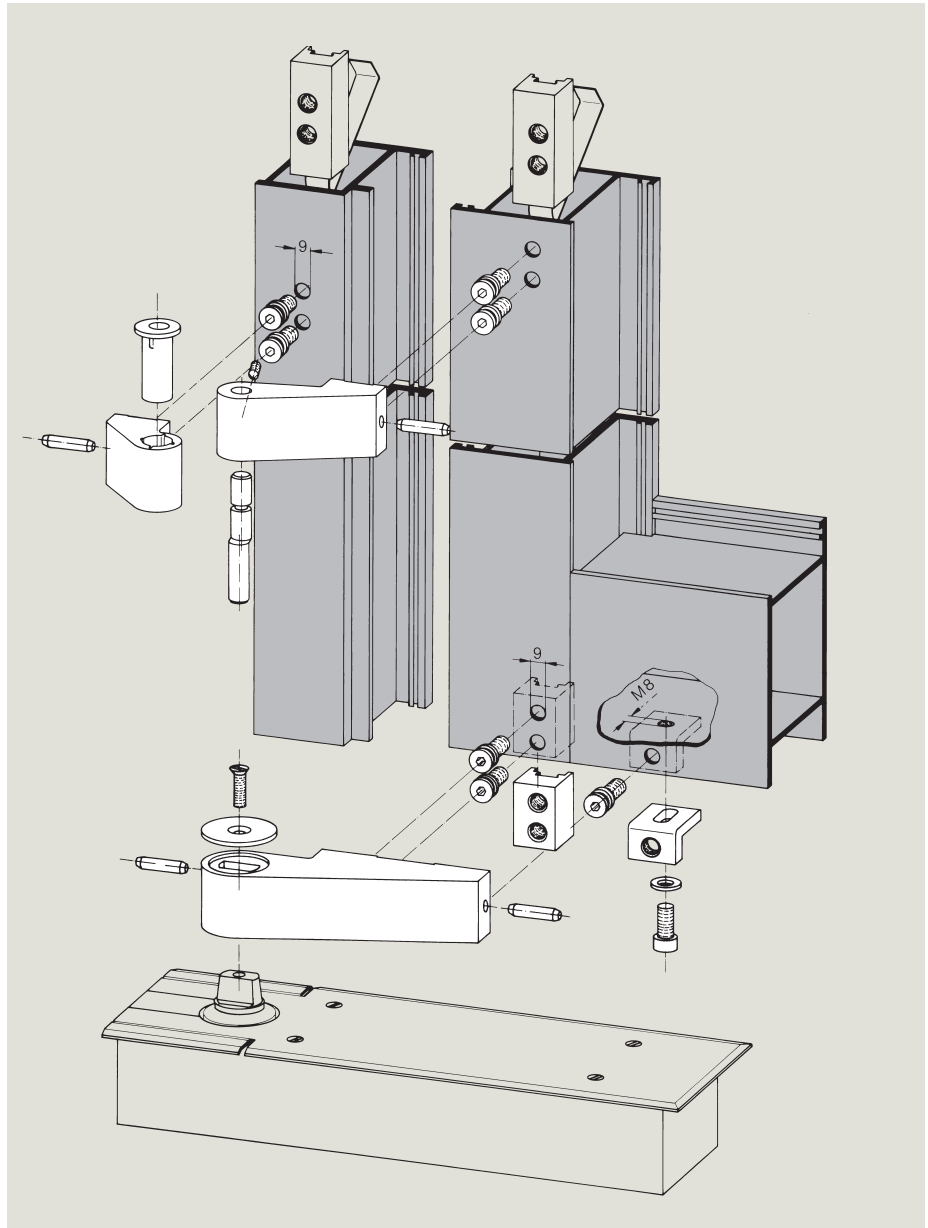


# BTS Accessories

## For single action aluminium doors

### Aluminium door straps

- For flush-closing single action aluminium doors of various types
- Door width up to 1200 mm, door weight up to 120 kg
- Non-handed
- Easy to fix – no milling or routing necessary, only 4 holes to drill
- Fast and simple installation with lock-pin arrangement
- Robust and secure installation with backplates and reinforcing angle bracket on door strap
- Steel insert press-fitted in aluminium door strap gives close tolerance connection to spindle.



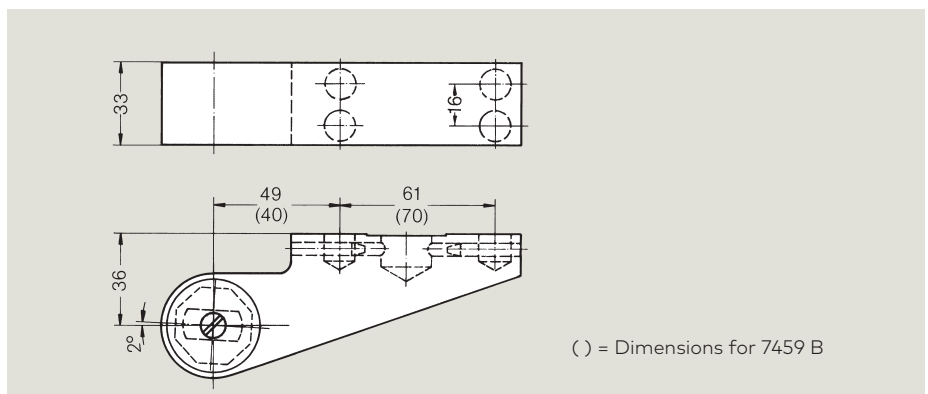
Typical installation: dormakaba aluminium hinge, 36 mm, and dormakaba aluminium door strap with BTS floor spring (or alternatively dormakaba pivot bearing).

### Aluminium door strap

Art. No. 7459  
 Silver (EV 1, Euras C-0):  
 Order No. 45010409  
 Special colours on request.

### Aluminium door strap

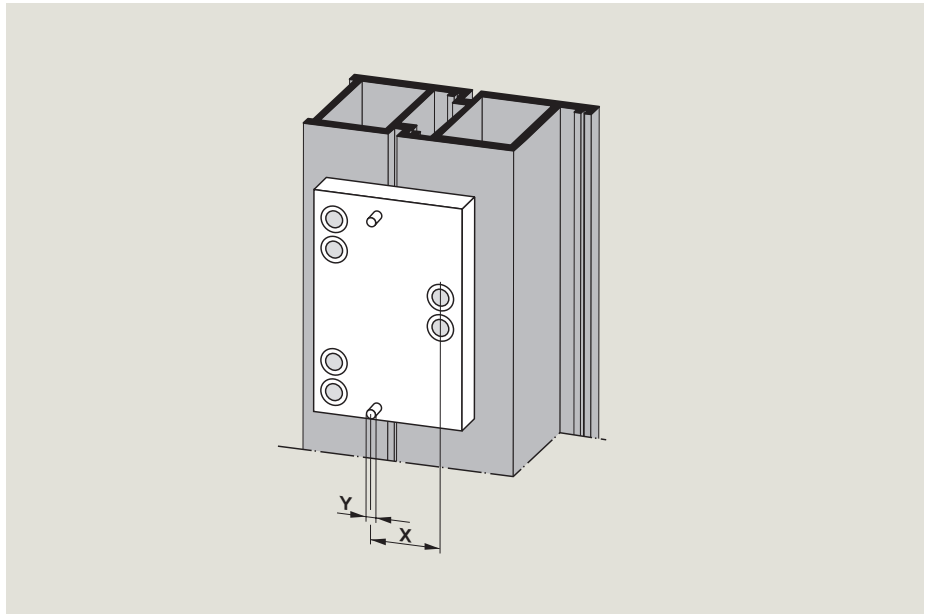
Art. No. 7459 B  
 Silver (EV 1, Euras C-0):  
 Order No. 45010482  
 Special colours on request.



( ) = Dimensions for 7459 B

**Drill jig for aluminium hinges**

For standard hinges (9 mm dia.),  
for IK (insulated construction)  
hinges (11 mm dia.) and also  
for 2 and 3-part hinges;  
indicate dimensions x and y or  
the profile.

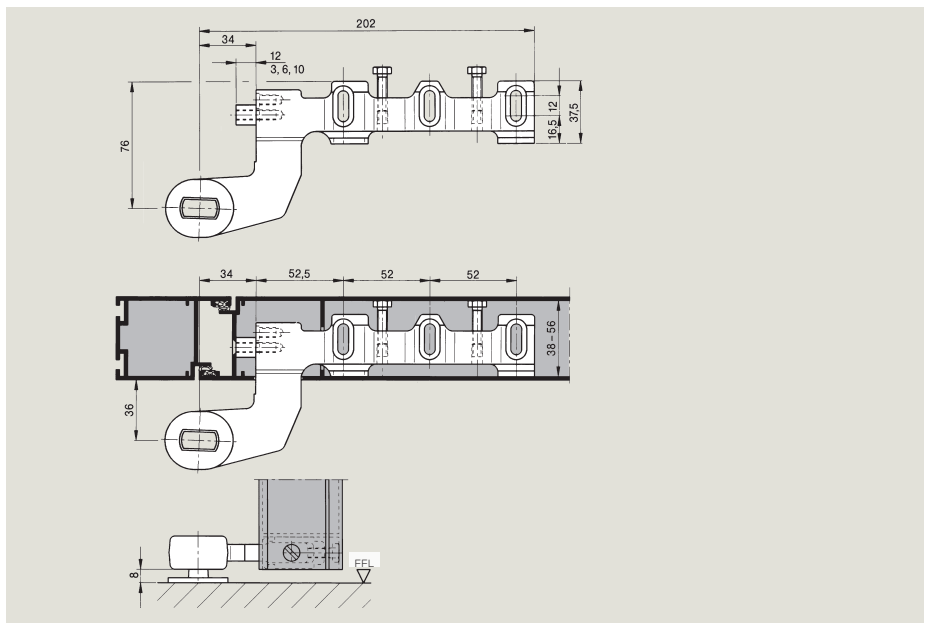


**Door strap**

Art. No. 7456/1  
Drop forged steel; adjustable  
to various profile systems,  
non-handed.  
Order No. 45010006

**Cover caps**

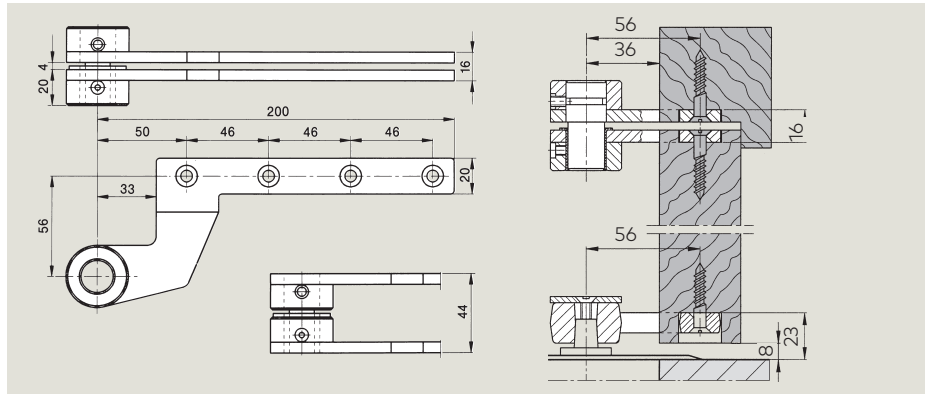
See pages 4 and 5,  
Art. No. 7481 and 7482.



## For single action timber doors (flush-closing)

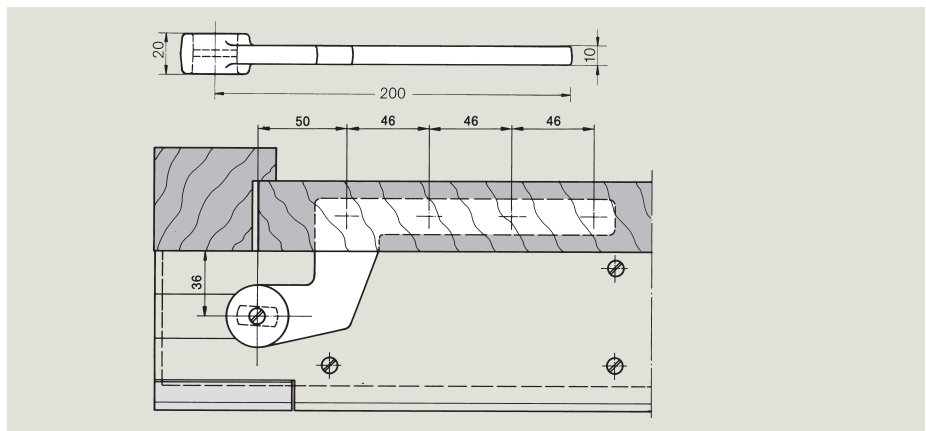
### Top centres

Art. No. 7411 K/56  
 Zinc-plated steel; with eccentric pin and bush for adjustment after hanging the door; non-handed.  
 Order No. 45300016



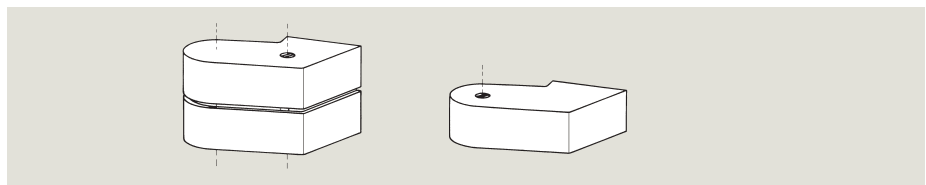
### Door strap

Art. No. 7411/56  
 Drop forged steel, zinc-plated.  
 Order No. 45010003



### Top washer for door strap

Art. No. 7432  
 Stainless steel  
 Order No. 45090030



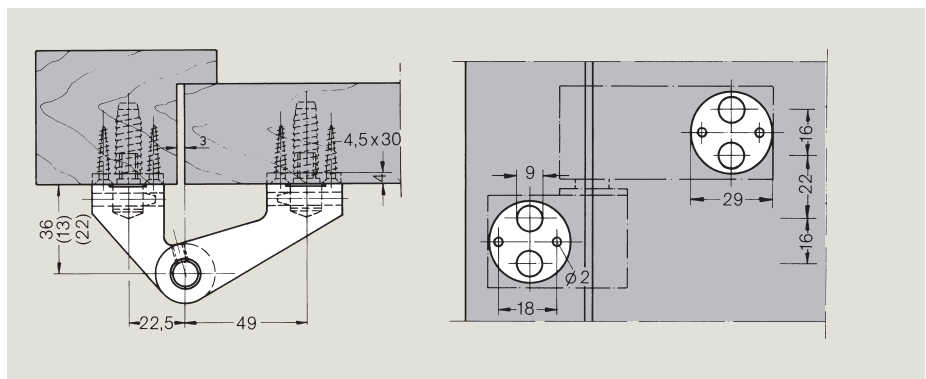
### Cover caps

For top centres and door strap

Type	Order No. for cover caps		
	for top centres, two parts	for door strap, single	
		LH (ISO 6)	RH (ISO 5)
Die cast aluminium Art. No. 7483/7481			
Mill finish	45500301	45055300	45051300
Silver (EV 1, Euras C-0)	45500401	45055400	45051400

### LM pivot hinges with fixing for non-rebated timber doors

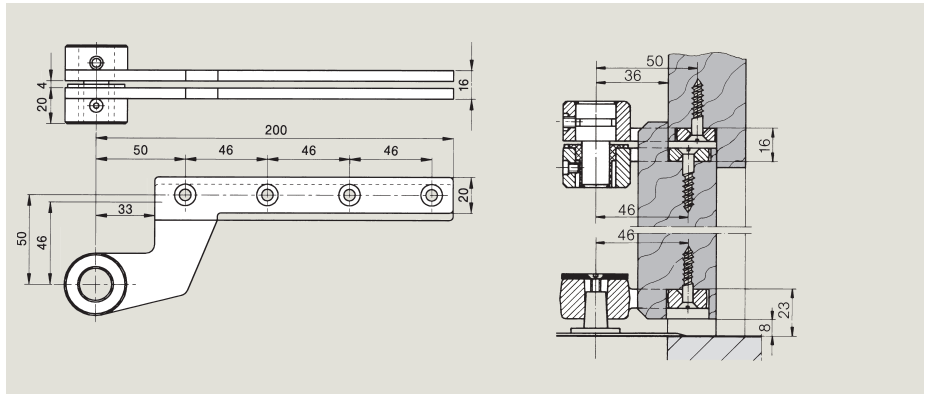
Offset in mm Art. No.	Art.-Nr.
36 A-36.10	A-36.10
22 A-22.10	A-22.10
13 A-13.10	A-13.10



## For single action timber doors (rebated )

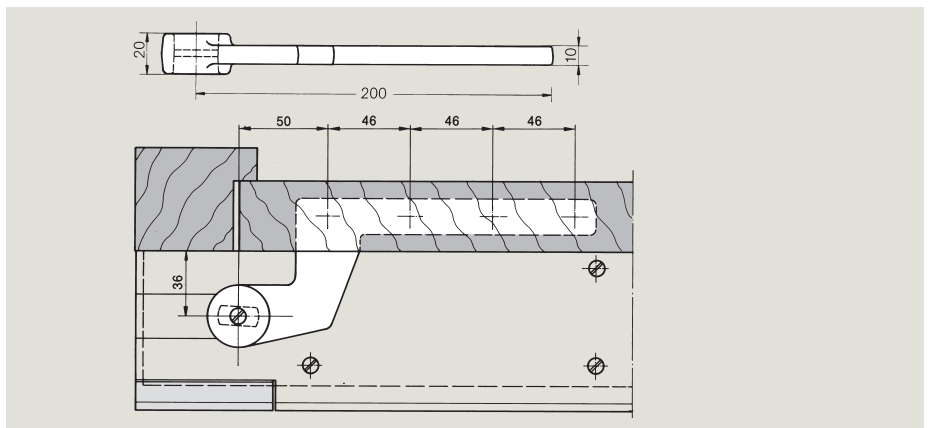
### Top centres

Art. No. 7411 K/46  
 Zinc-plated steel; with eccentric pin and bush for adjustment after hanging the door; handed.  
 LH (ISO 6) door  
 Order No. 45305015  
 RH (ISO 5) door  
 Order No. 45301015



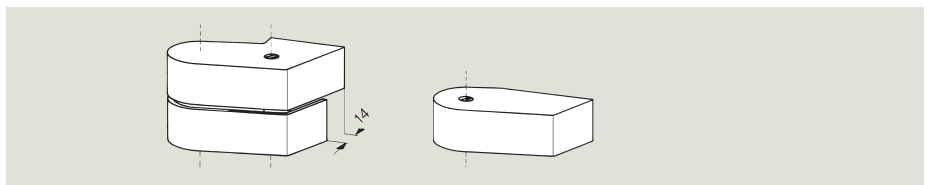
### Door strap

Art. No. 7411/46  
 Drop forged steel, zinc-plated.  
 Order No. 45010000



### Top washer for door strap

Art. No. 7432  
 Stainless steel  
 Order No. 45090030



### Cover caps

For top centres and door strap

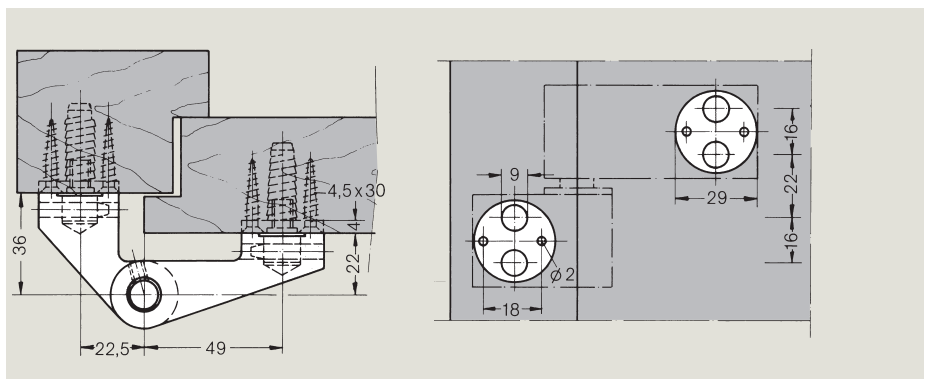
Type	Order No. for cover caps			
	for top centres, two parts		for door strap, single	
	LH (ISO 6)	RH (ISO 5)	LH (ISO 6)	RH (ISO 5)
Die cast aluminium	45505400	45501400	45055401	45051401

**Art. No. 7484/7482**  
**Silver (EV 1, Euras C-0)**

### LM pivot hinges with fixing for over-rebated timber doors

#### Drill jig for flush closing and over-rebated doors

Dimension x = 50.5 mm,  
 Dimension y = 3.0 mm

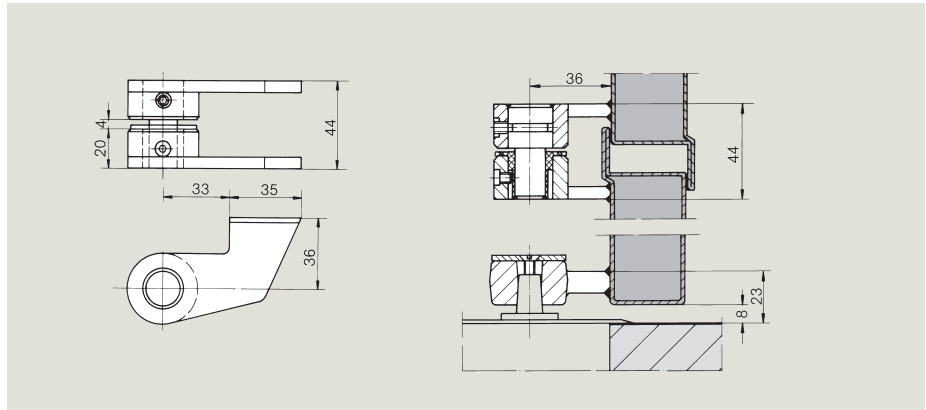


## For single action steel doors

### Weld-on accessories

#### Top centres

Art. No. 7431 K  
 Steel, primed; with eccentric pin and bush for adjustment after hanging the door; non-handed.  
 Order No. 45300012



#### Door strap

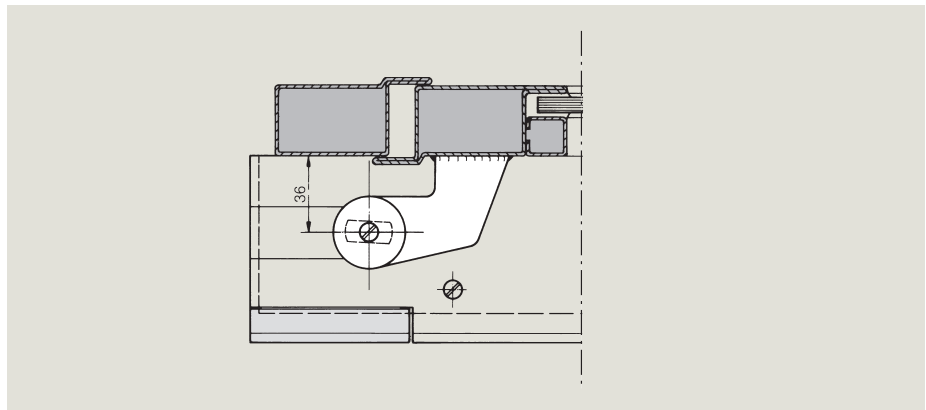
Art. No. 7431  
 Drop forged steel, primed  
 Order No. 4501000

#### Top washer for door strap

Art. No. 7432  
 Stainless steel  
 Order No. 45090030

#### Cover caps

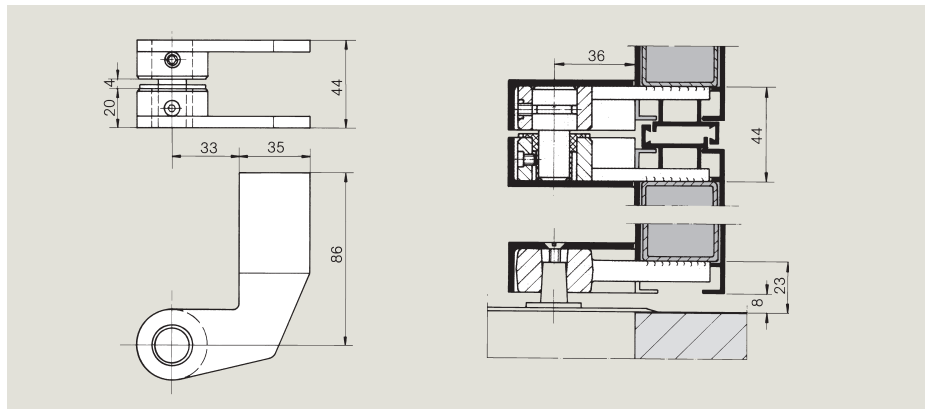
see pages 4 and 5



### Weld-on accessories

#### Top centres

Art. No. 7441 K  
 Steel, primed; with eccentric pin and bush for adjustment after the door is hung; non-handed.  
 Order No. 45300014



#### Door strap

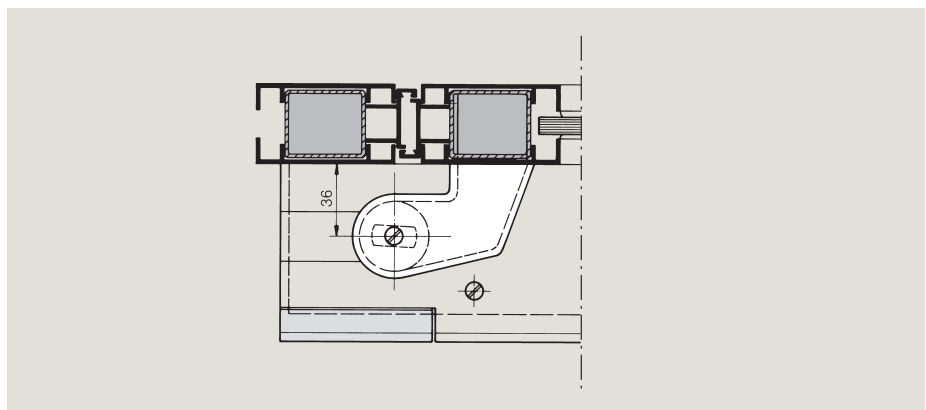
Art. No. 7441  
 Drop forged steel, primed  
 Order No. 45010007

#### Top washer for door strap

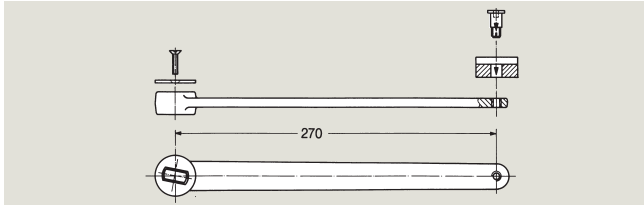
Art. No. 7432  
 Stainless steel  
 Order No. 45090030

#### Cover caps

see pages 4 and 5



## For butt hung doors



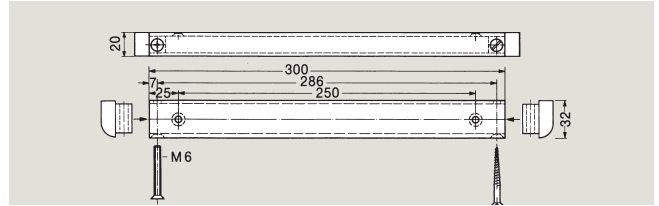
**Swing lever** Art. No. 7451 N

Drop forged steel, including top washer 7432.

Order No. 45090070

**Example installations**

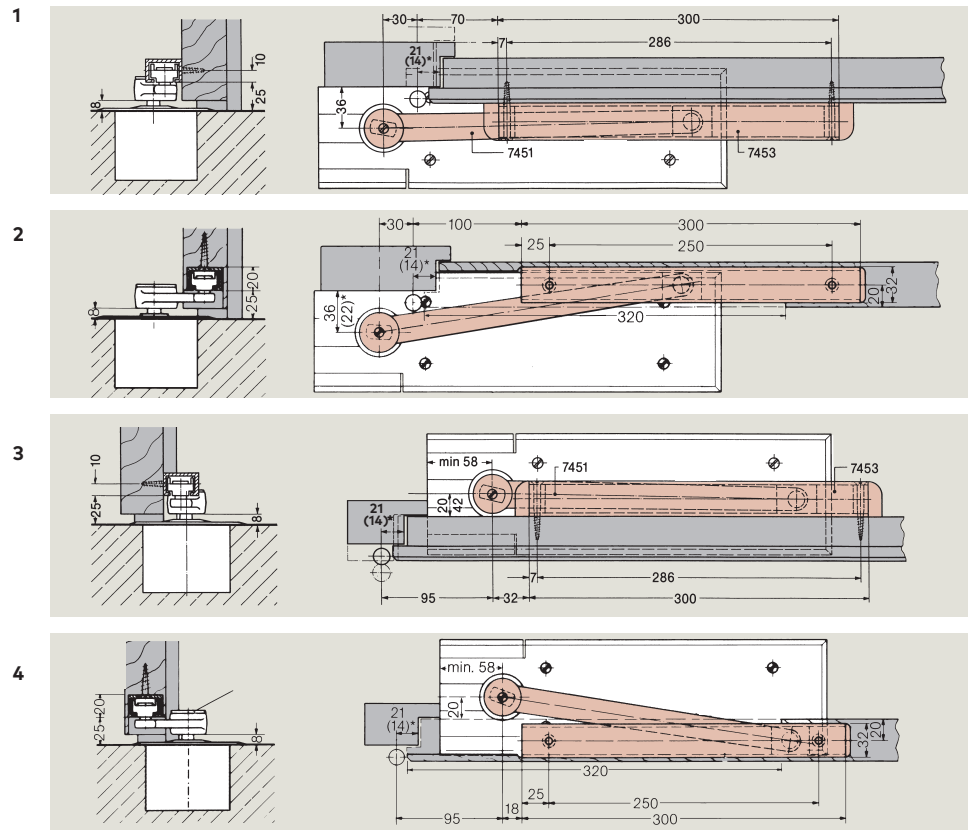
( )\* = Offset for non-rebated doors



**Guide housing** Art. No. 7453 N

Aluminium, anodised, silver (EV 1, Euras C-0).

Order No. 45090053



**Max. opening angle, backcheck activation angle and hold-open angle**

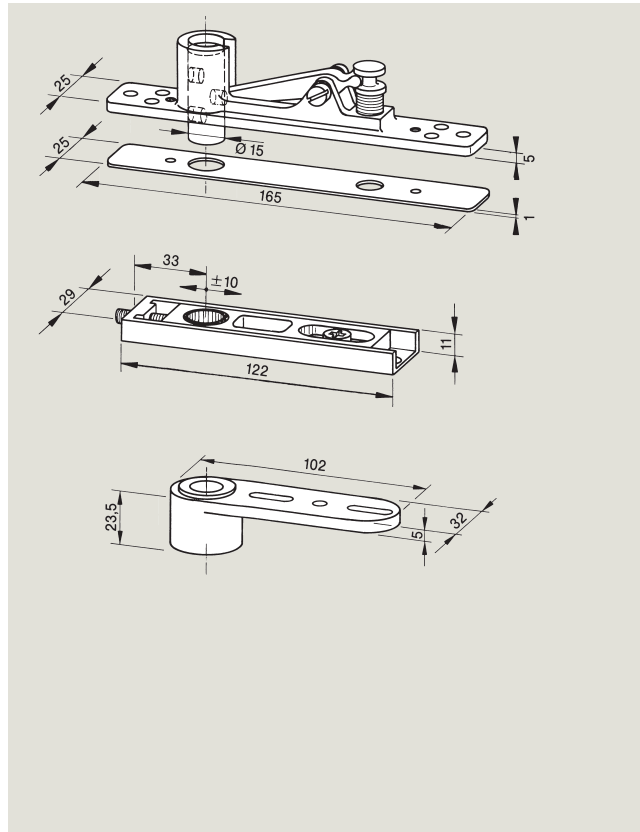
	Installation	Door thickness in mm								
		Over-rebated door				Flush closing door				
		39	50	60	70	39	50	60	70	
Door opening* in °, max.	<b>1</b>	100				100				
	<b>2</b>	100				100				
	<b>3</b>	125	116	108	102	114	105	98	92	
	<b>4</b>	135	137	140	140	132	135	135	120	
Hold-open for BTS 80, and backcheck for BTS 75 and BTS 80 in °	<b>1</b>	78				78				
	<b>2</b>	85				85				
	<b>3</b>	60				60				
	<b>4</b>	52				52				
Hold-open for BTS 75 in ° for following settings in °	<b>1</b>	105	95			100				
	<b>2</b>	90	90			90				
	<b>3</b>	105	83	85	87	90	86	90	92	95
		120	102	105	107	112	108	111	115	120
<b>4</b>	105	73	75	77	79	76	78	80	83	
	120	90	93	95	98	95	100	102	105	

\* Set door stop at maximum door opening. Owing to the differing pivot points of the floor spring and hinges, the backcheck is activated earlier, i.e. at an opening angle less than 85°. This type of installation reduces the floor spring's power. To minimise this effect, make sure that the door is correctly hung and freerunning on its hinges. Detailed installation drawing available on request.

## For Double Action Steel, Aluminium and Timber Doors

### Adjustable top centres (zinc die-cast)

comprising a frame portion with adjustable pin for deep profiles up to max. 20 mm, and door portion with needle bearing (8067 with plastics bearing). For deeper profiles, the top centre assembly can be supplied with pins extended by 10 mm.



Frame portion 8062/8067  
Order No. 46020031

Cover plate 8064  
Order No. 46020044

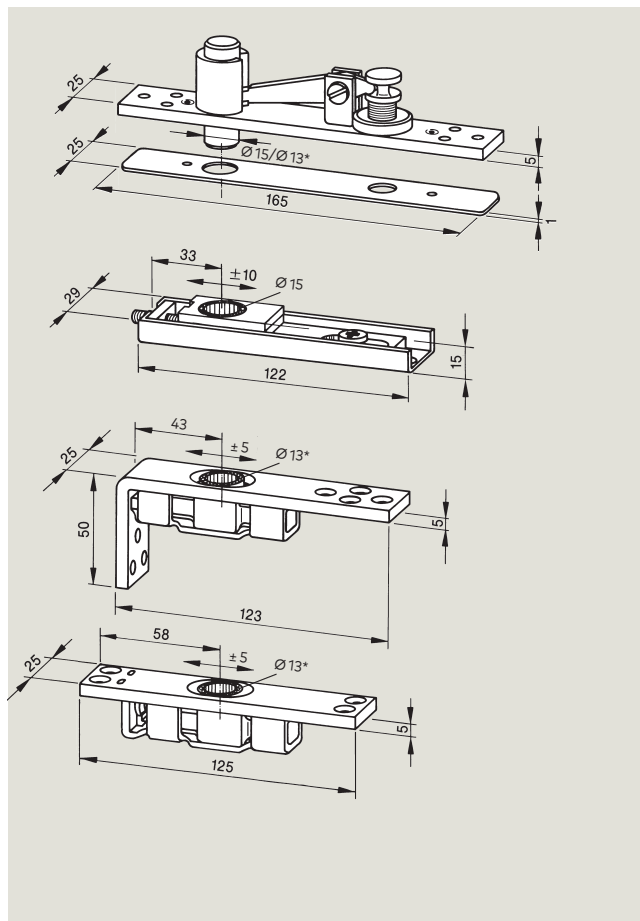
Door portion 8062  
Order No. 46020033

Door portion 8067  
Order No. 46020011

**Top centres complete**  
(Frame- and door portion)  
8062 Order No.46300003  
8067 Order No.46300005

### Adjustable top centres (steel)

comprising a frame portion with adjustable pin for deep profiles up to max. 16 mm, and door portion with needle bearing. For deeper profiles, the top centre assembly can be supplied with pins extended by 10 mm.



Frame portion 8066  
Order No. 46020036  
Frame portion 7461\*  
Order No. 46020050

Cover plate 8064  
Order No. 46020044

Door portion 8066  
Order No. 46020047

Door portion 7461 A\*  
Order No. 46020048

Door portion 7463 B\*  
Order No. 46020049

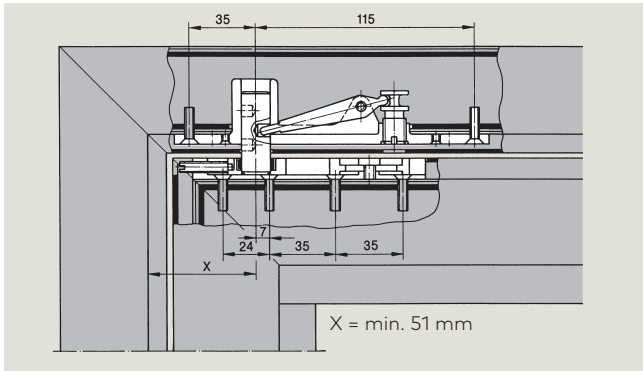
**Top centres complete**  
(Frame- and door portion)  
8066 Order No. 46300006

\* For door portions  
7461 A and 7463 B, use frame portion  
7461 with 13 mm dia. pin.

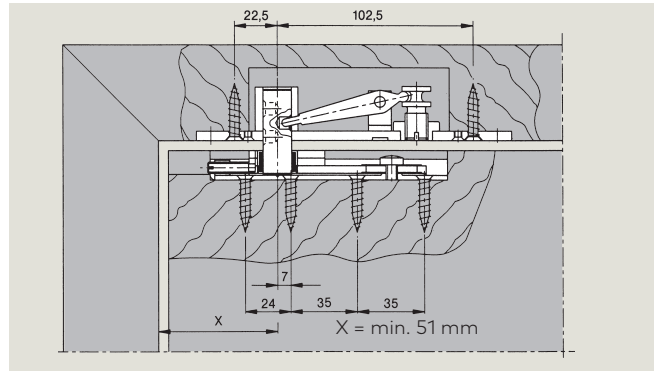


**Typical installations**

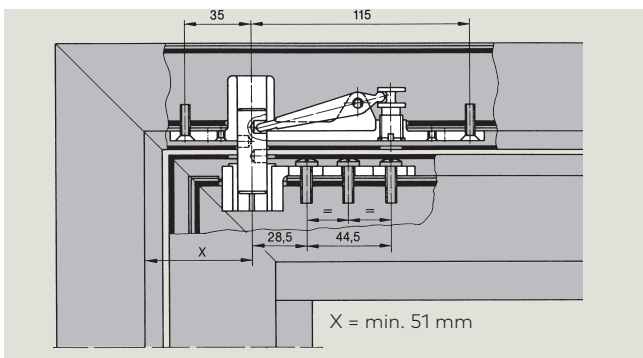
**For aluminium doors** Top centre 8062



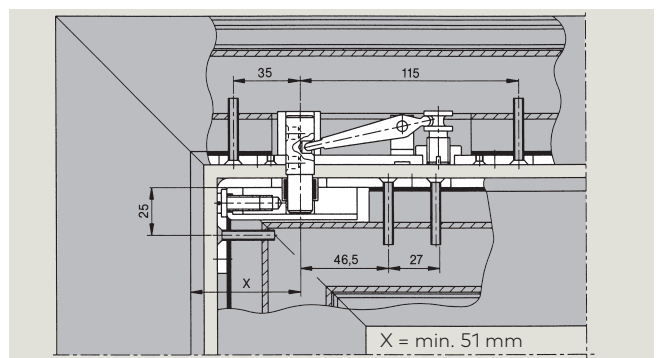
**For timber doors** Top centre 8066



**For aluminium doors** Top centre 8067

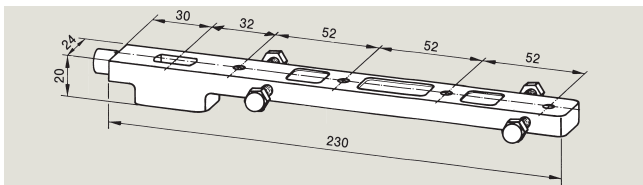


**For steel doors** Top centre 7461

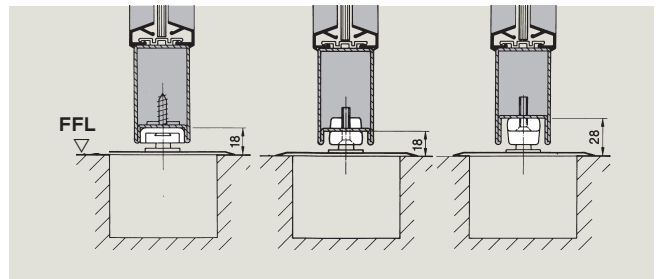


**Bottom straps**

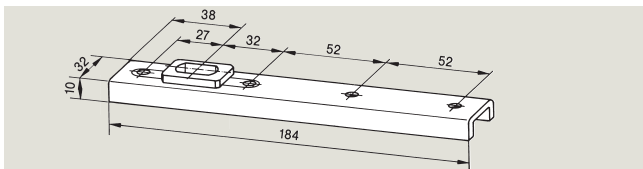
**Universal bottom strap** Art. No. 7422



Drop forged steel, zinc-plated; adjustable to various frame profiles. Order No. 46010002



**Bottom strap** Art. No. 8021



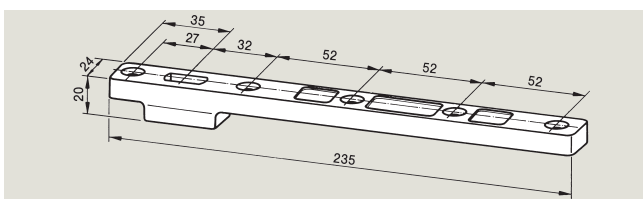
Zinc-plated steel; for door weights up to 100 kg. Order No. 45010410

**Bottom strap 8021**

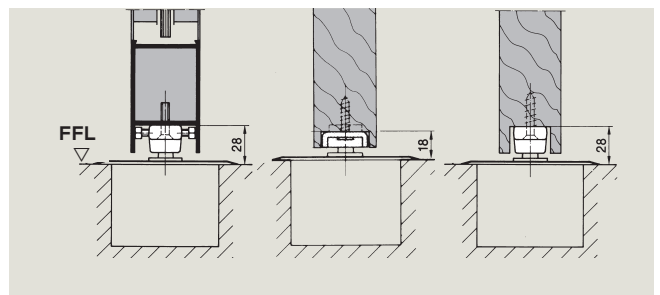
**Bottom strap 7421**  
with milled hole

**Bottom strap 7421**  
surface fixed

**Bottom strap** Art. No. 7421



Drop forged steel, zinc-plated for door weights up to 300 kg. Order No. 46010001



**Bottom strap 7422**

**Bottom strap 8021**

**Bottom strap 7421**

## Pivot bearings

### Floor pivot bearing

Art. No. 7471 K  
with thrust roller bearing,  
load capacity max. 200 kg.

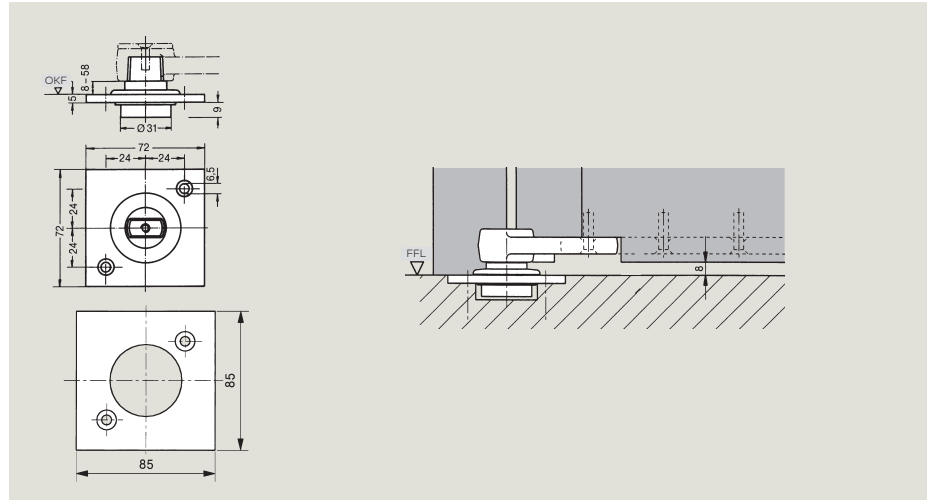
Order No. 45070001

Art. No. 7471 AX  
with angular contact roller  
bearing, load capacity max. 300 kg.

Order No. 45070002

### Cover plate

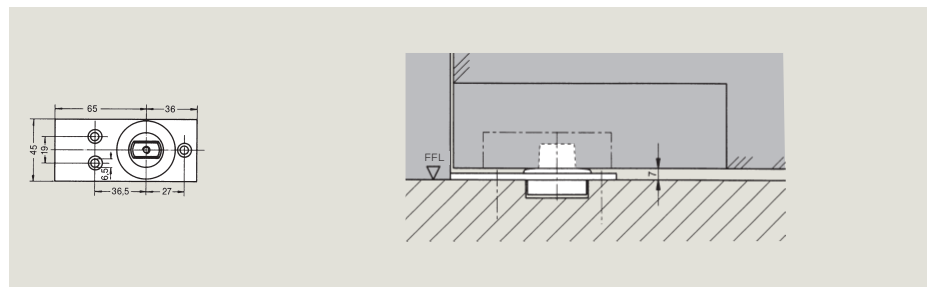
Art.-No. 7470  
85x85 mm for 7471 K/AX  
Order No. 21262401140



Art.-Nr. 7475 AX  
with angular contact roller  
bearing, load capacity max. 300 kg.

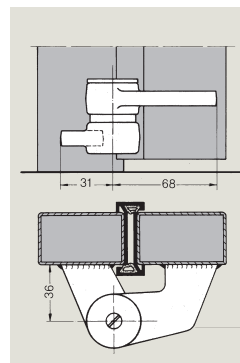
Order No. 45070003

Also available in stainless steel.  
Art. No 8560 GE  
Order No. 65540059



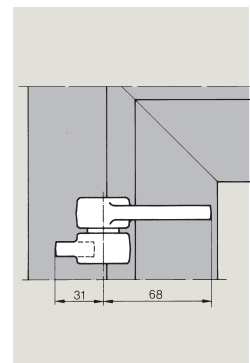
### Weld-on pivot bearing

Art. No. 7474 K  
with thrust roller bearing, load  
capacity max. 200 kg, and  
welded-on reinforcing plate.  
LH (ISO 6) door:  
Order No. 45075007  
RH (ISO 5) door:  
Order No. 45071007



### Weld-on hinge

Art. No. 7472 M  
Used as intermediate pivot and upper  
hinge; with eccentric pin and bush for  
adjustment after hanging the door;  
non-handed bearing can be inserted  
from either side.  
Order No. 45900008



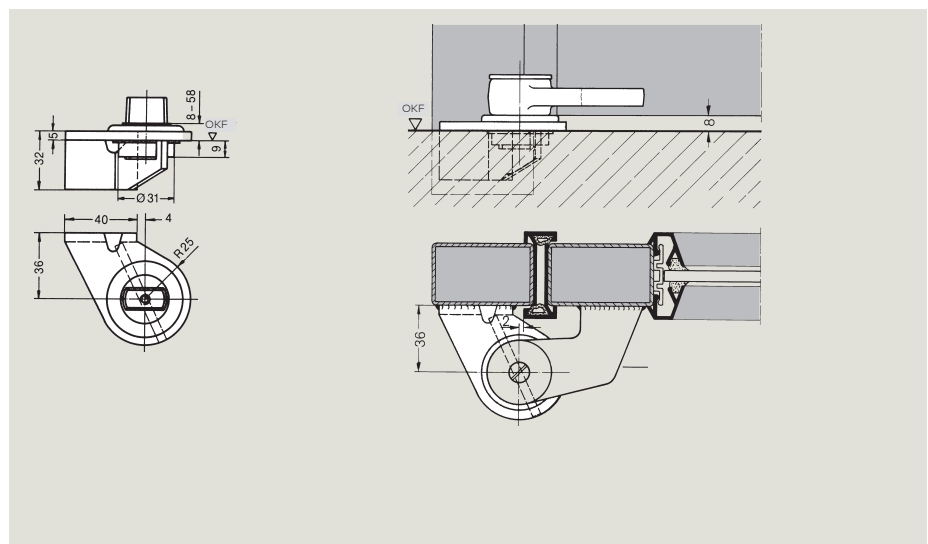
### Weld-on pivot bearing

Art. No. 7474 K  
with thrust roller bearing, load  
capacity max. 200 kg, and welded-on  
reinforcing plate.

LH (ISO 6) door:  
Order No. 45075007

RH (ISO 5) door:  
Order No. 45071007

AX model available on request  
(300 kg capacity).



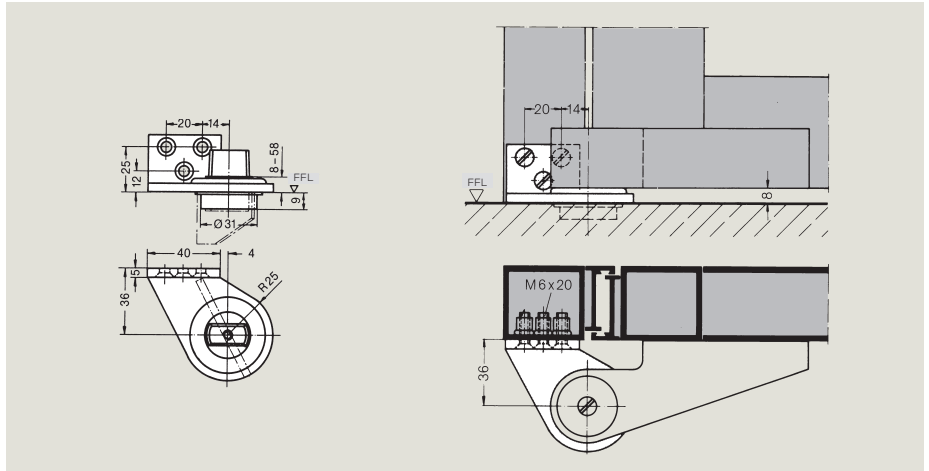
**Screw-on pivot bearing**

Art. No. 7473 K  
with thrust roller bearing,  
load capacity max. 200 kg.

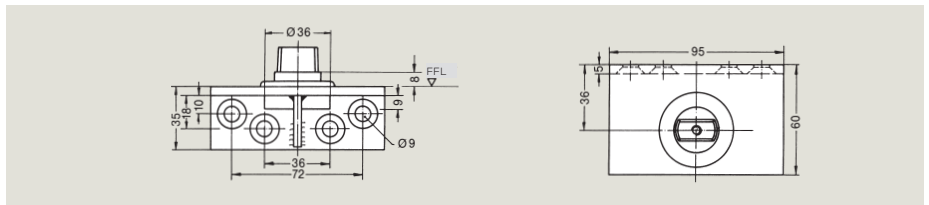
Suitable for timber,  
steel and aluminium doors.

LH (ISO 6) door:  
Order No. 45075005

RH (ISO 5) door:  
Order No. 45071005

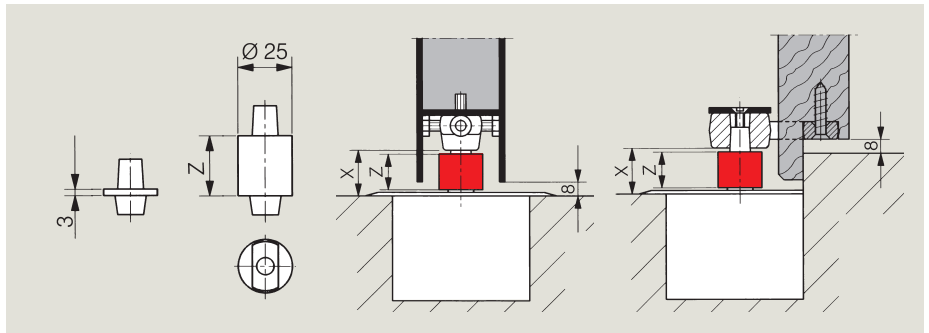


Art. No. 7476 AX  
with angular-contact roller  
bearing, load capacity max. 300 kg.  
Order No. 45070012



**Spindle inserts, zinc-plated,  
for BTS floor springs**

Length in mm	Order No.
Standard	45200401
+ 5,0	45200402
+ 7,5	45200403
+ 10,0	45200404
+ 12,5	45200419
+ 15,0	45200405
+ 20,0	45200406
+ 25,0	45200407
+ 28,0	45200414
+ 30,0	45200408
+ 35,0	45200409
+ 40,0	45200410
+ 45,0	45200411
+ 50,0	45200412

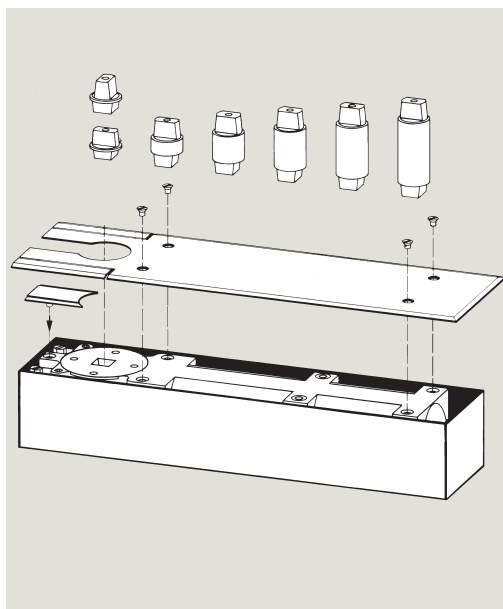


**Calculating the necessary length of spindle extension**

Extension = X – Floor clearance (normally 8 mm)  
zCollar height Z of the extended spindle inserts = Spindle extension length + 3 mm  
(collar height of the standard spindle insert)

**Note**

Closer and bottom strap  
must be installed per fixing  
instructions for door clearances  
shown to be valid. Closers with  
extended spindle inserts are  
used with thresh-olds, carpeted  
floors, terazzo pans or in cases  
where more clearance between  
door and floor is required.  
Surface finish: Zinc plated.



	Order No.
<b>Sealing compound 2300</b>	
0,5 kg	45090086
<b>Cement boxes for floor springs</b>	
BTS 80	45090056
BTS 75V	45090054
61701xxx	45090055
BTS 75V	45090055
61801xxx	
BTS 84	1418700000