

A close-up photograph of a dark grey metal floor spring. The device is rectangular with a cylindrical metal component protruding from its top surface. The background is a light grey gradient.

BTS 84

—

Floor Spring

# THE ECONOMIC DOUBLE ACTION FLOOR SPRING

## Special shallow design optional hold-open.

The DORMA BTS 84 is a double action floor spring which has been specially developed for the aluminium and toughened glass door industries.

This unit is intended to complement our internationally acclaimed RTS concealed overhead door closer by giving the shopfitting industry the option of a DORMA quality

floor spring designed for their particular purpose.

The BTS 84 has many of the features of the other DORMA BTS closers with the addition of reduced depth and an array of accessories designed for the aluminium door fabricator and toughened glass door manufacturer.

Certified to ISO 9001.

## Plus points

### For the trade

- Outstanding value for money.
- Also available with stronger and weaker springs for special requirements.

### For the installer

- Easy installation thanks to shallow design.
- Easy to adapt to individual requirements with dual valve control 130° to 0° and 130° to 20°.
- Interchangeable spindle inserts available to suit site conditions.

### For the architect/specifier

- Concealed unit for invisible installation.
- Minimum floor recess dimension.
- Proven, robust unit for door weights up to 100 kg.

### For the user

- Thermoconstant smooth operation.
- High mechanical efficiency for easy door opening.
- Optional single point hold-open

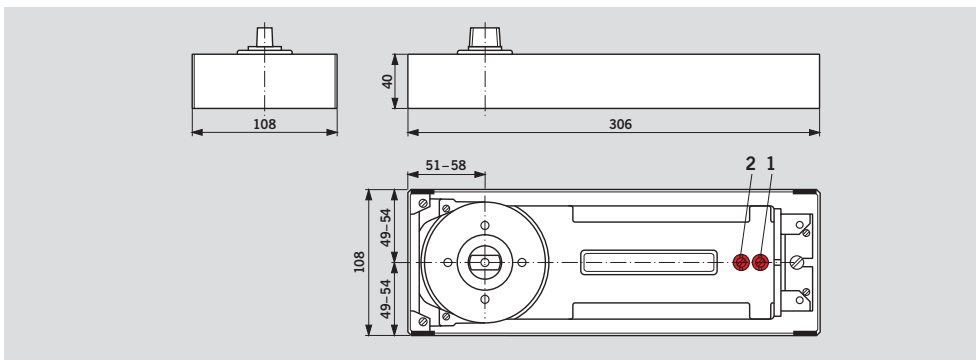
Technical Data		BTS 84		
		EN 2	EN 3	EN 4
Spring strength				
Standard	up to 850 mm	●	–	–
and external doors <sup>1) 2)</sup>	950 mm	–	●	–
	1100 mm	–	–	●
Closing speed variable by valve adjustment			●	
Backcheck			–	
Delayed action			–	
Hold-open point 90°			○	
Weight in kg, approx.			5.0	
Dimensions in mm	Length	306		
	Width	108		
	Height	40		
Door closer tested to EN 1154			●	
CE mark for building products (products with factory-fitted hold-open do not carry a CE mark)		–	●	●

● Yes – No ○ Option

<sup>1)</sup> For applications involving particularly high or heavy doors, and doors which have to close against wind or draught conditions, the next larger closer size or the DORMA BTS 80 should be selected.

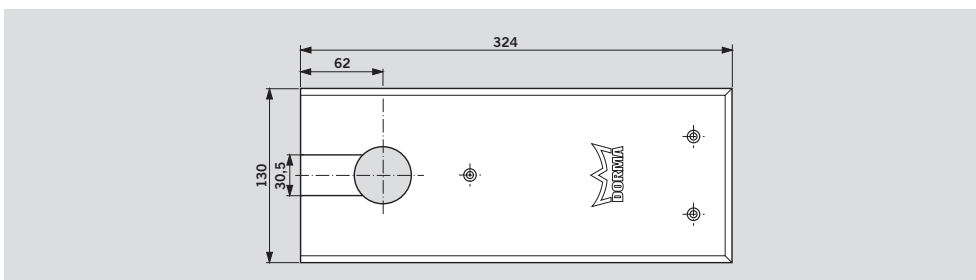
<sup>2)</sup> Max. opening 130°.

Door stop necessary for doors which can open further than 130°.



1 Valve for closing speed adjustment 130° – 0°

2 Valve for increasing closing speed 130° – 20°



### Universal cover plate

available in stainless steel or satin brass.

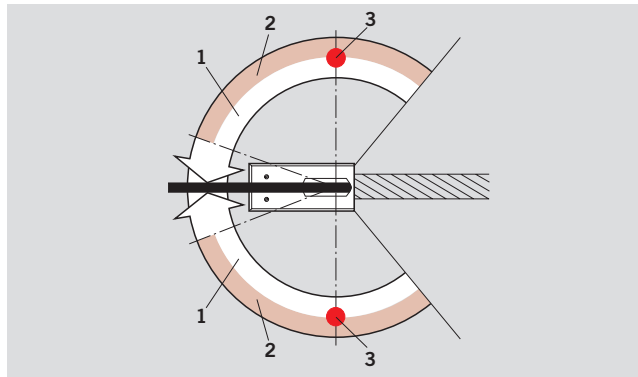
**Standard and optional functions**

**Closing ranges**

The floor spring has two controlled closing ranges:  
 Valve 1: 130° – 0° sweep  
 Valve 2: Increases the closing speed between 130° and 20°.

**Hold-open**

With the hold-open (optional extra), the door can be held at an angle of 90°.



- 1** First adjusting closing range (130° – 0°)
- 2** Second adjusting closing range (130° – approx. 20°)
- 3** Hold open at 90° (optional extra)

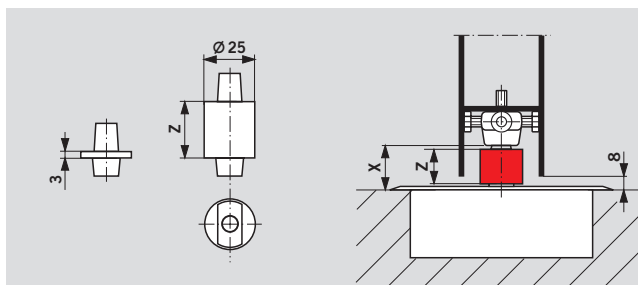
**Accessories**

**Applications and fixing instructions, door straps and top centres**

See Technical Information “Floor spring accessories”.

**DORMA 2300 Sealing Compound**

For filling the cavities between the floor spring body and the cement box to prevent moisture penetration (mandatory according to e.g. VOB regulations for wet rooms).



**Note**

Closer and bottom strap must be installed per fixing instructions for door clearances shown to be valid. Closers with extended spindle inserts are used with

thresholds, carpeted floors, terazzo pans or in cases where more clearance between door and floor is required. Surface finish: Zinc plated.

**Extended spindle insert**

Spindle Extension (mm)	Dimension “X” (Door Clearance) (mm)
Standard	8.0
5.0	13.0
7.5	15.5
10.0	18.0
12.5	20.5
15.0	23.0
20.0	28.0
25.0	33.0
30.0	38.0
35.0	43.0
40.0	48.0
45.0	53.0
50.0	58.0

**Standard equipment and accessories**

Floor spring BTS 84 including cement box and <b>standard</b> spindle insert	Floor spring BTS 84 including cement box <b>without</b> spindle insert	normal	Extended spindle inserts (extension in mm)												Universal cover plate		Sealing compound 2300 0.5 kg
			0	5	7,5	10	12,5	15	20	25	28	30	35	40	45	50	
45200401	45200402	45200403	45200404	45200419	45200405	45200406	45200407	45200414	45200408	45200409	45200410	45200411	45200412	46700022	46700023	45090086	

**Standard**

EN 2 81125002	EN 2 81125001	△	△	△	△	△	△	△	△	△	△	△	△	△	△	△
EN 3 81110002	EN 3 81110001	△	△	△	△	△	△	△	△	△	△	△	△	△	△	△
EN 4 81100002	EN 3 81100001	△	△	△	△	△	△	△	△	△	△	△	△	△	△	△

**with hold-open 90°**

EN 2 81225002	EN 2 81225001	△	△	△	△	△	△	△	△	△	△	△	△	△	△	△
EN 3 81210002	EN 3 81210001	△	△	△	△	△	△	△	△	△	△	△	△	△	△	△
EN 4 81200002	EN 4 81200001	△	△	△	△	△	△	△	△	△	△	△	△	△	△	△

△ Accessory

**Specification text**

Floor spring for double action doors, with hydraulic fully controlled closing from approx. 130°; including cement box and removeable spindle insert.

**Size**

- EN 2
- EN 3
- EN 4

**Models**

- Standard
- Hold-open 90°

**Accessories**

- Universal cover plate
  - Stainless steel
  - Satin brass
- Extended spindle insert, . . . mm extended
- Sealing compound

**Make:** DORMA BTS 84



DORMA Australia P/L  
Head Office  
46-52 Abbott Road,  
Hallam, Victoria 3803  
Telephone (03) 8795 0666  
Facsimile (03) 8795 0280  
Toll Free Facsimile  
1800 333 309

DORMA NZ Limited  
Head Office  
Building P  
61-69 Patiki Road  
Avondale  
Auckland 1026  
Telephone (09) 830 2052  
Facsimile (09) 820 4909