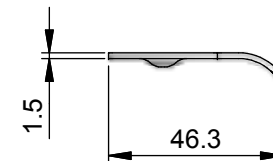
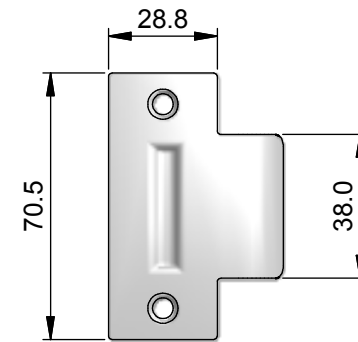
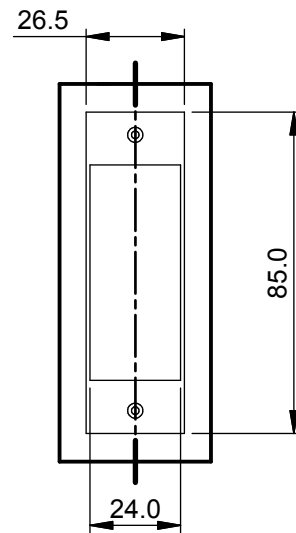
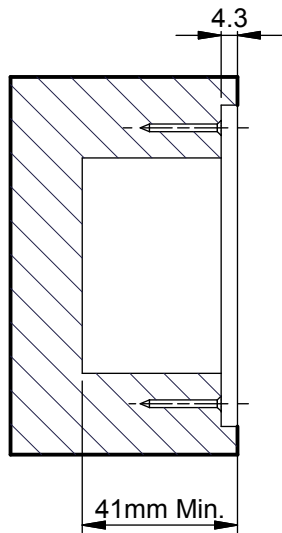
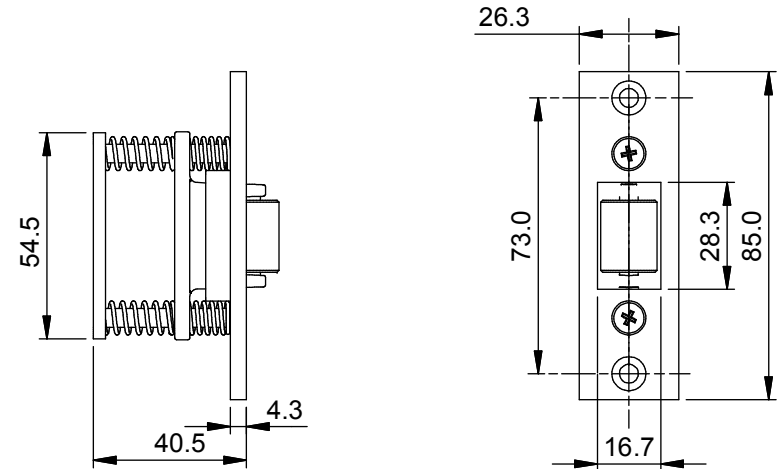
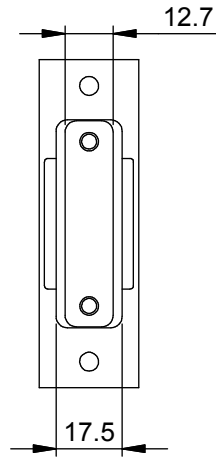
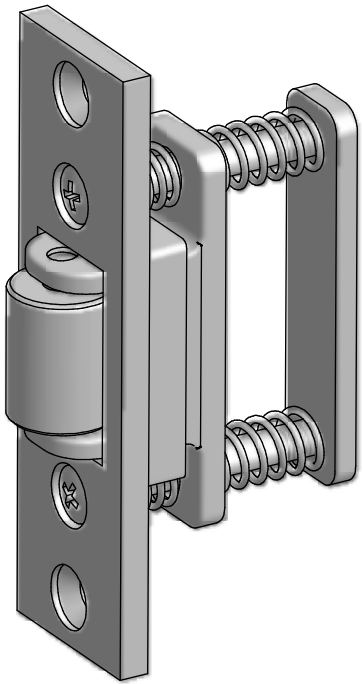


KABA RB111 ROLLER LATCH



Note: Strike Plate can be installed in Metal frame with the use of Kaba Fabricator Kit MS303