

# ELOK

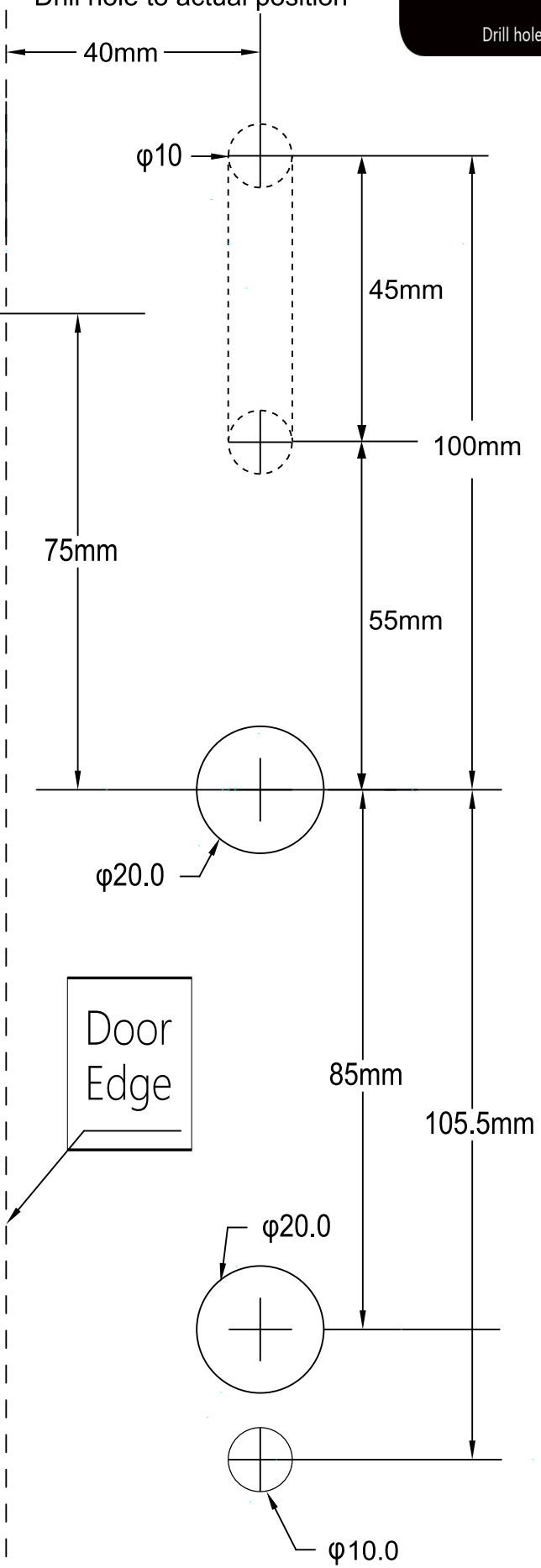
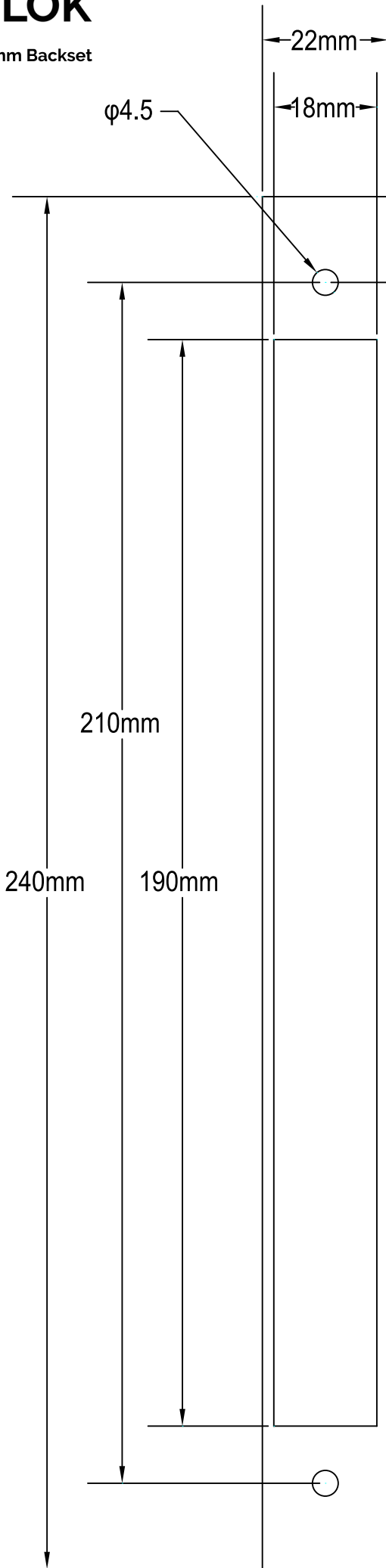
40mm Backset

Sliding Screw Design.  
Drill hole to actual position

## Hole-drilling Drawing

Ratio 1:1

Drill holes as to this drawing



Door  
Edge