

# ELOK

70mm Backset

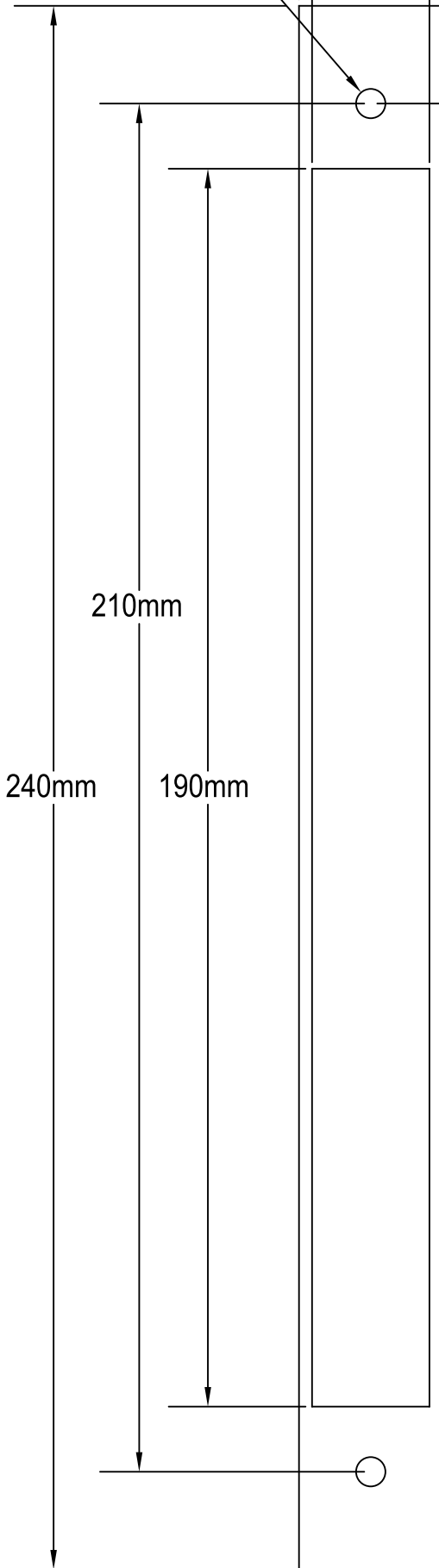
Width

22mm

Faceplate

18mm

$\phi 4.5$



Sliding Screw Design.  
Drill hole to actual position

## Hole-drilling Drawing

Ratio 1:1

Drill holes as to this drawing

