

# Swing door drive mechanism with fire protection rating

## ETS 64-R

Mounting and operating instructions

Original



Com. no. .... Pos. .... Construction year .....

Operator .....

Operating place .....

0548-990/62g  
2019.10



# TABLE OF CONTENTS

1	GENERAL REMARKS .....	5
1.1	Target group.....	5
1.2	Where to keep these instructions.....	5
1.3	Addresses.....	5
1.4	Auxiliary tools and service performances.....	6
2	SAFETY.....	7
2.1	Appropriate use .....	7
2.2	Safety notices.....	7
2.3	Safety regulations .....	7
2.3.1	Principles.....	7
2.3.2	Service.....	9
2.3.3	Safety devices.....	9
2.3.4	Malfunctions .....	9
2.3.5	Accessories/Spare parts.....	9
3	PRODUCT DESCRIPTION .....	10
3.1	General remarks .....	10
3.2	Standard application.....	11
3.3	Inverse application.....	12
3.4	Automatic closing sequence control.....	12
3.5	Rating plate.....	12
3.6	Technical data .....	13
3.7	Application limits without safety elements according to EN 16005 .....	14
3.8	Maximum wind-load capacity.....	15
4	MOUNTING.....	16
4.1	Preparation .....	16
4.2	Mounting versions .....	17
4.2.1	Rod assemblies narrow RS/RG .....	17
4.2.2	Rod assemblies stainless steel.....	18
4.3	General .....	19
4.4	Rod assemblies narrow RS/RG.....	21
4.4.1	Normal rods RS pushing function / Lintel mounting .....	21
4.4.2	Sliding rods RG pulling function / Lintel mounting.....	25
4.4.3	Sliding rods RG pushing function / Lintel mounting.....	28
4.5	Rod assemblies stainless steel .....	31
4.5.1	Normal rods pushing function / Lintel mounting .....	31
4.5.2	Sliding rods pulling function / Lintel mounting .....	33
4.5.3	Sliding rods pushing function / Lintel mounting .....	36
4.6	Adjusting the pre-stressing of the closing spring.....	39
4.7	Setting the accelerating function (forceful closing) .....	41
4.7.1	Accelerating force.....	41
4.7.2	Forceful closing range .....	42
4.8	Mechanical closing sequence regulator.....	43

5	ELECTRICAL CONNECTIONS.....	44
5.1	Power supply .....	44
5.2	Cable layout .....	46
5.2.1	Lintel mounting .....	46
5.3	Fire protection PCB .....	47
5.4	External elements .....	49
5.5	Motorized lock .....	50
5.5.1	Motorised lock with direct connection to motor coil.....	50
5.5.2	Motorized lock with own evaluation control .....	51
5.5.3	Motorized lock with separate evaluation control/power pack .....	52
6	COMMISSIONING .....	53
6.1	Inverse application .....	55
6.2	Closing sequence control .....	56
6.3	Interlock operation .....	59
6.4	Adhesive labels .....	60
6.4.1	Service sticker.....	60
6.4.2	Diagram sticker.....	60
6.4.3	Fire protection sticker .....	60
6.4.4	Rating plate .....	60
6.5	Mount the drive mechanism covering.....	61
7	CONTROL.....	62
7.1	Main switch.....	62
7.2	Program selector.....	62
7.3	Operating modes .....	63
7.4	Adjustings .....	64
7.4.1	Motional parameters (PARAMETER) .....	65
7.4.2	Configuration (CONFIG).....	66
7.4.3	Installations with multiple door leaves (DOUBLE DOOR) .....	67
7.4.4	Menu navigation .....	68
8	SERVICE .....	72
8.1	Service for pedestrian doors.....	73
8.2	Fundamental checking.....	74
9	TROUBLESHOOTING.....	75
9.1	Malfunction with error-no. ....	75
9.1.1	Drive mechanism.....	75
9.1.2	Operating .....	76
9.1.3	Safety elements.....	76
9.1.4	Feeding.....	76
9.1.5	System.....	77
9.1.6	Options.....	77
9.1.7	Closing sequence / Interlock function.....	77
9.2	Malfunction without error-no.....	78
9.3	Software update via USB.....	79
9.3.1	Preparation.....	79
9.3.2	Procedure .....	80
9.3.3	LED display on the control.....	80
9.3.4	Possible errors.....	80

10	SHUT-DOWN .....	81
11	DISPOSAL OF THE INSTALLATION.....	82
12	SPARE PARTS .....	83
13	OPTIONS.....	84
13.1	D-BEDIX.....	84
13.1.1	Keys .....	84
13.1.2	Symbols .....	84
13.1.3	Operating modes.....	85
13.1.4	Display of the door position .....	85
13.1.5	Menu level .....	86
13.1.6	Setting examples .....	87
13.1.7	Error display .....	88
13.2	KOMBI-D-BEDIX.....	89
13.3	Open position stop piece integrated in the drive mechanism .....	90
13.4	Connection plate for wooden door leaf (normal rods).....	90
13.5	Continuous covering .....	91
13.6	Optional PCBs .....	92
13.6.1	Relay PCB.....	92
13.6.2	Radio PCB .....	93
13.7	LZR-FLATSCAN .....	94
14	APPENDIX	
	Wiring diagram.....	E4-0141-713_ECO
	Wiring diagram Fire protection PCB.....	E4-0141-714_ECO
	Wiring diagram Relay PCB.....	E4-0141-715_ECO
	Wiring diagram Flatscan LZR .....	E4-0142-149_ECO
	Wiring diagram motorised locks .....	E4-0142-180_ECO

# 1 GENERAL REMARKS

The present instructions contains all instructions for mounting, commissioning, operation, service (maintenance/checking) as well as troubleshooting. It is the basis guaranteeing a faultless and safe operation of the installation and must be completely read and understood before starting the work.

The following basic documents are associated with this installation:

- **Mounting and operating instructions**      **0548-990/62**      onto the installation
- Operator manual      0548-991/62      by the operator
- Control booklet      0548-991/72      onto the installation

## 1.1 Target group

All the work described in the present instructions must only be carried out by experts!

Experts are persons who, based on their professional training and experience, have sufficient knowledge in the field of powered windows, doors and gates. They are sufficiently familiar with the relevant federal regulations for work protection and accident prevention, with the guidelines and generally recognized rules applicable for this field of technology which enables them to evaluate if powered windows, doors and gates can be safely operated.

Only the trained experts of the manufacturer or the supplier are counted among these persons.

## 1.2 Where to keep these instructions

The present instructions have to be kept close to the installation, together with the control booklet!

## 1.3 Adresses

Distribution agent/  
After-sales service



Distribution

ECO Schulte GmbH & Co. KG  
Iserlohner Landstrasse 89  
D-58706 Menden  
Tel. +49 23 73 / 92 76-0  
Fax +49 23 73 / 92 76-40  
[www.eco-schulte.de](http://www.eco-schulte.de)

## 1.4 Auxiliary tools and service performances

The auxiliary tools and service performances listed hereafter are available, depending on the respective situation and authorization (please ask your distribution agent):

- Company portrait
- Homepage
- News
- Info-News via E-mail
- Product brochures
- Product presentation (PowerPoint)
- Submission texts
- Reference list
- Test/homologation certificates
- CAD data
- Application sheets
- Plans of installations and cutouts
- Training courses
- Spare parts
- Maintenance contracts
- Around-the-clock service (not available in all the countries)

## 2 SAFETY

### 2.1 Appropriate use

The swing door drive mechanism with fire protection rating ETS 64-R has been exclusively designed for operating swing doors with fire protection rating. Any other use beyond these application limits is deemed inappropriate and inadmissible! In the event of an inappropriate use of this system, the safety of the user may be jeopardized and/or the installation be damaged. The manufacturer declines all responsibility for these injuries/damages!

### 2.2 Safety notices

The present instructions uses the following symbols and notes in order to point out certain residual dangers:



Warning:  
Involving danger to life and limb.



Attention:  
A situation where material could be damaged or the function impaired.

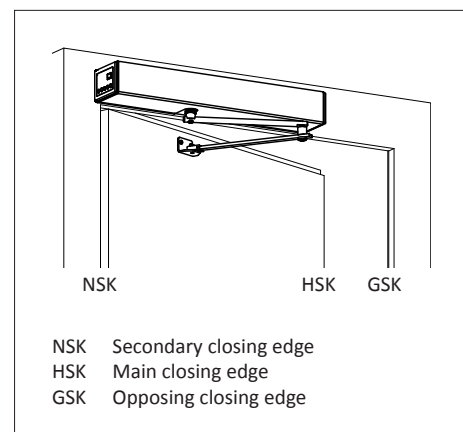


Note:  
Hints which facilitate the work.

### 2.3 Safety regulations

#### 2.3.1 Principles

- According to standard EN 16005/DIN 18650 describing the safety-related requirements for automatic door systems, a risk evaluation is to be carried out (in consideration of the groups of door users and the local situation). This is the basis for the choice of the different protecting measures. The risk evaluation has to be carried out already during the planning stage to guarantee that the automatic door system can be safely installed and operated.
- When configuring the installation, it is essential to make sure that the locally applicable regulations with regard to the closing edges are complied with, in order to avoid crushing and shearing points. It is particularly important to make sure that the door leaves do not have any sharp edges. The secondary closing edges must be designed by customers in such a fashion as to eliminate any dangerous crushing and shearing points.



- In order not to create any dangerous squeezing and shearing points, no structural modification must be made within the door surroundings, without prior authorization from ECO Schulte GmbH & Co. KG. Furthermore, it is important that no objects (such as furniture, pallets, etc.) be placed in the vicinity of the door.
- The door leaves and their fillings must be manufactured according to the applicable standards (e.g. EN 16005). For the door leaf fillings, brake-proof material respectively safety glass shall be used. Transparents door leaves (or their surfaces) must be clearly recognizable, e.g. by means of a permanent marking or dyed materials.
- The application limits must be observed.
- The choice of fastening elements depends on the construction base.
- It is imperative for the customer to install a door leaf stop piece! The latter limits the opening motion of the door leaf and prevents it's being damaged in the manual operating mode. As an option, an open position stop piece can be integrated into the drive mechanism itself.
- Door sills or other protruding elements of the door system are to be identified by warning stickers or another appropriate marking means.
- In its assembled state, the installation must answer all the safety requirements specified by the machinery directive.
- The swing door drive mechanism with fire protection rating ETS 64-R may only be installed and operated in dry rooms. If this condition cannot be fulfilled, the customer must provide sufficient protection from moisture.
- The swing door drive mechanism with fire protection rating ETS 64-R must not be mounted within locations presenting explosion hazards. The presence of flammable gases or smoke represents a considerable safety hazard.
- All further interventions on and modifications of the installation that are not described in the present instructions are forbidden!
- Wrapping materials (such as plastic foil, polystyrene foam, strings, ....) represent a source of danger for children and must therefore be kept out of reach of the latter.
- The installation has been calculated, designed and manufactured on the basis of the latest state-of-the-art technology and the generally recognized safety-relevant rules and regulations. It may only be operated if it is in perfect condition, taking into account the specifications of the present instructions. Any use beyond the defined application limits is inadmissible!
- The installation is to be operated and maintained in such condition that the safety is guaranteed at all times. An integral part of this condition is the appropriate use, the compliance with the operating conditions prescribed by the manufacturer, as well as the regular service (maintenance/checking).
- The installation's conformity with the machinery directive must be confirmed.



### 2.3.2 Service

In order to guarantee the safety of the users at all times, the installation must be checked with regard to its safe condition before the first commissioning and during normal operation, **at least once a year**, by a expert. The correct maintenance/checking must be confirmed by entering the date and signature into the control booklet.

In addition, fire protection installations need to be checked once a year by an authorized specialist. The correct checking must be confirmed by entering the date and signature to the maintenance control booklet for fixing devices.

### 2.3.3 Safety devices

It is inadmissible to bypass, shunt or disable the safety devices. Any defective safety devices may not be disconnected in order to be able to continue the operation of the installation.

### 2.3.4 Malfunctions

If any malfunctions occur which might be detrimental to the safety of the users, the installation must be immediately taken out of operation. It may only be taken back into operation after the malfunction has been repaired and all danger eliminated.

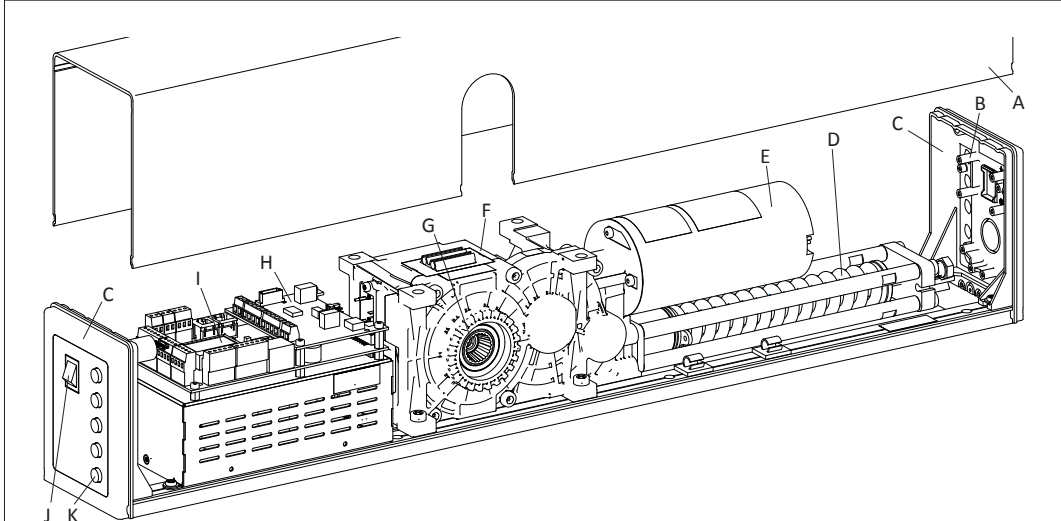
### 2.3.5 Accessories/Spare parts

A safe and reliable function of the installation can only be guaranteed if it is operated with the original ECO Schulte GmbH & Co. KG accessories/spare parts. ECO Schulte GmbH & Co. KG declines all responsibility for damages resulting from unauthorized modifications of the installation or from the use of foreign accessories/spare parts.

# 3 PRODUCT DESCRIPTION

## 3.1 General remarks

The swing door drive mechanism with fire protection rating ETS 64-R resp. ETS 64-R GSd (special gear for sliding rods pushing function) opens and closes the door leaf via a rod assembly (is not shown in the illustration). The fire protection drive mechanism is implemented by means of a fire-protection PCB.



**Drive mechanism**

- A Drive mechanism covering
- B LED fire alarm (in side cover)
- C Side cover
- D Spring unit for spring-powered closing respectively opening
- E Direct current motor
- F Gear GSd = special gear for sliding rods pushing function
- G Output shaft with eight-pointed star for the connection of the rod assembly
- H Fire protection PCB
- I Control
- J Main switch
- K Program selector keys

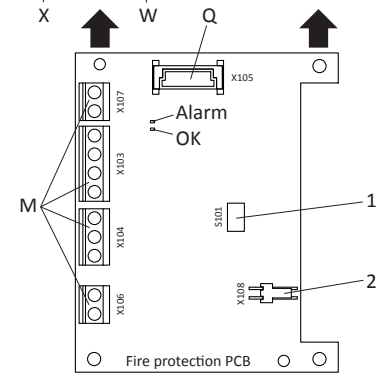
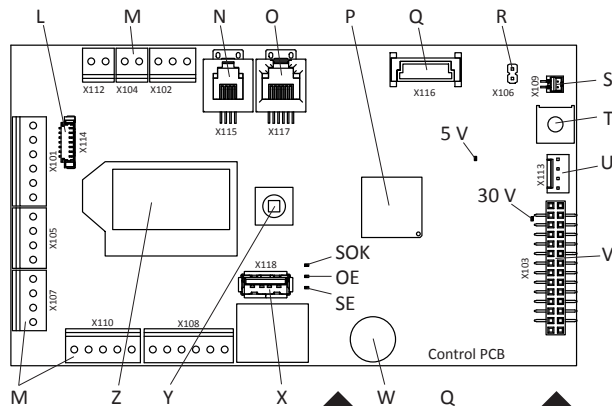
**Control PCB /**

**Fire protection PCB**

- L Connection program selector
- M Connection terminals
- N Serial interface
- O CAN
- P Processor
- Q Options connection
- R Fire protection
- S Connection of the reference switch
- T Potentiometer for slam cushioning
- U Rotary shaft encoder
- V Connector for power supply unit
- W Buzzer
- X USB
- Y Joystick
- Z LC-Display
- 1 DIP-switch France (function: fire alarm central)
- 2 Plug for LED fire alarm central (in the side cover)

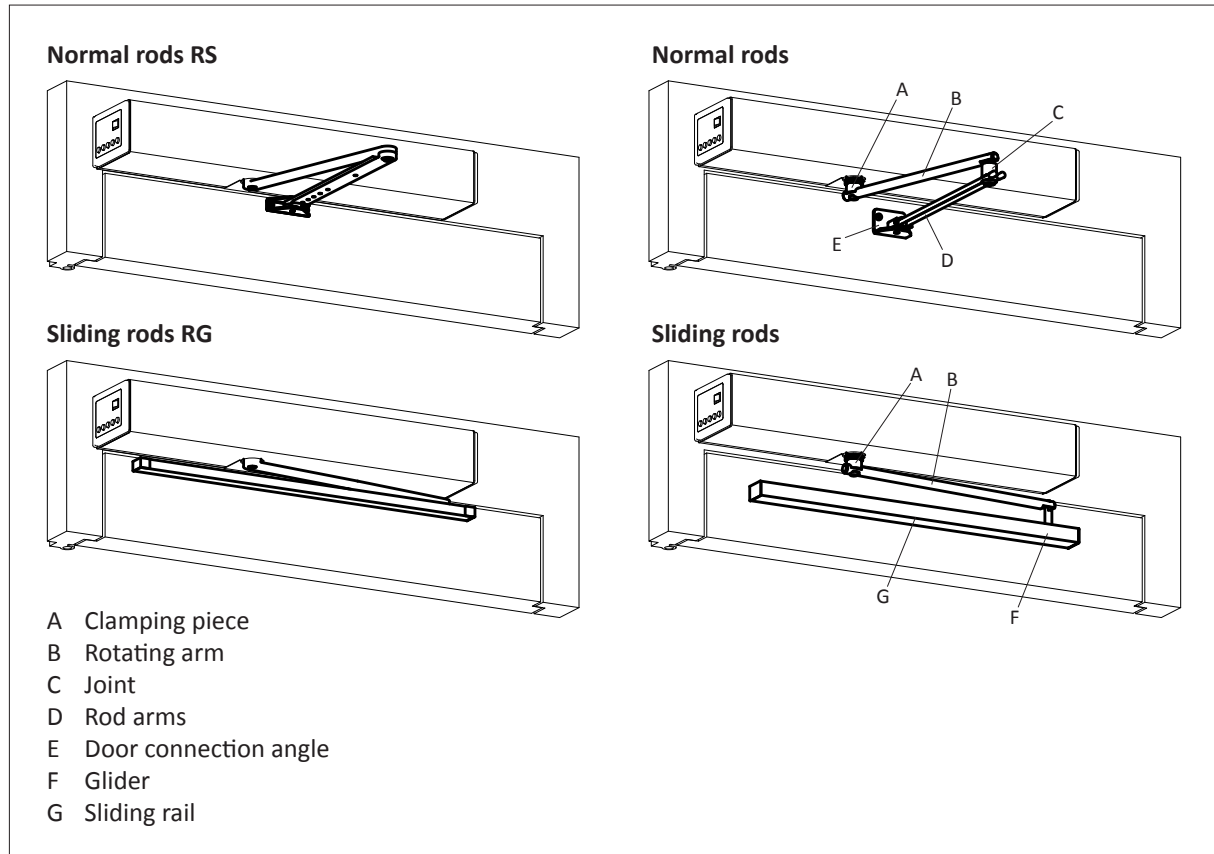
**LED**

- 5 V green = ok
- 30 V green = ok
- SOK System green flashing = ok
- OE Opening element blue = active
- SE Safety element yellow = active
- Alarm Fire alarm central red = Alarm
- OK Fire alarm central green = ok



Drive mech. \ Rods	Normal rods	Sliding rods pulling function	Sliding rods pushing function
ETS 64-R	✓	✓	–
ETS 64-R GSd	–	–	✓*

\* special gear



### 3.2 Standard application

During normal operation, the opening and closing movements of the door leaf are motorized. The automatically opening is performed via opening elements. The automatically closing starts as soon as the programmed hold-open time has expired.

#### Function in the event of a fire alarm/a mains failure

The door leaf is closed from any position by means of spring power. The motor attenuation ensures a controlled closing.

### 3.3 Inverse application

The swing door drive mechanism ETS 64-R is also appropriate for inversed operation. This particular function can be separately programmed for each drive mechanism. The inverse application is suitable for smoke extraction from buildings (RWA = smoke and heat exhaust vent solution) as well as for escape and rescue ways. In the event of a power failure or a RWA, this functionality ensures that the door leaf is reliably opened.

During normal operation, the opening and closing movements of the door leaf are motorized. The automatically opening is performed via opening elements. The automatically closing starts as soon as the programmed hold-open time has expired.

#### Function in the event of a smoke alarm/a mains failure

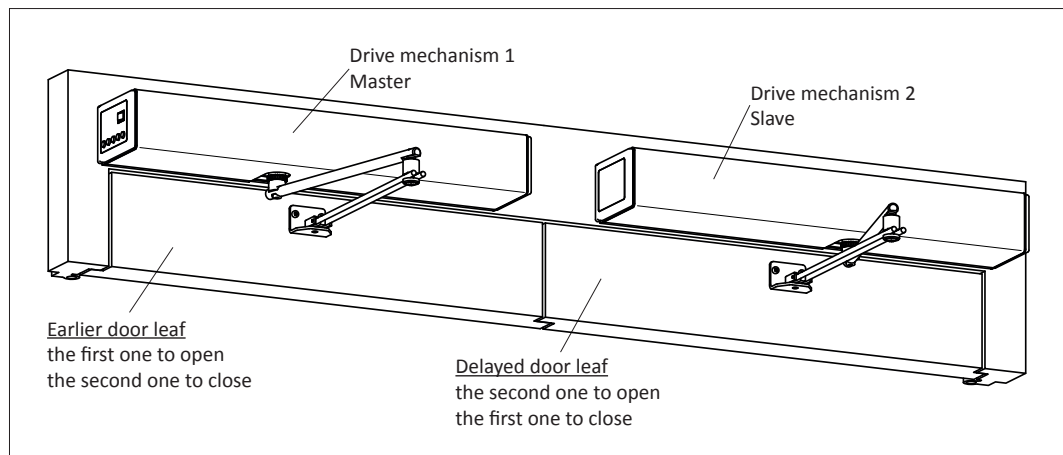
The door leaf is opened from any position by means of spring power (unless it has not been locked). The motor attenuation ensures a controlled opening. An emergency power supply system is therefore not necessary.

Attention:

The inverse function (spring-powered opening) must not be used on hold-open devices or in fire-protection sections, as this function is contrary to the "self-closing" property (which is required by the standards)!

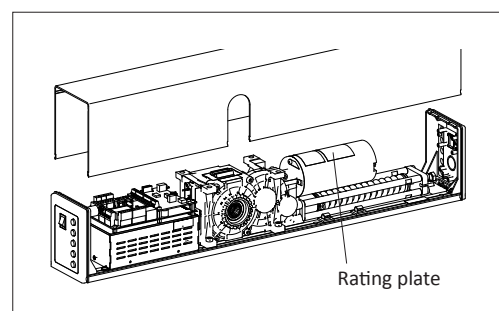
### 3.4 Automatic closing sequence control

For bi-parting installations, two separate ETS 64-R swing door drive mechanisms with fire protection rating are used, which are connected via the CAN bus system. In addition, fire protection installations require the installation of the mechanical closing sequence regulator ECO SRI.



### 3.5 Rating plate

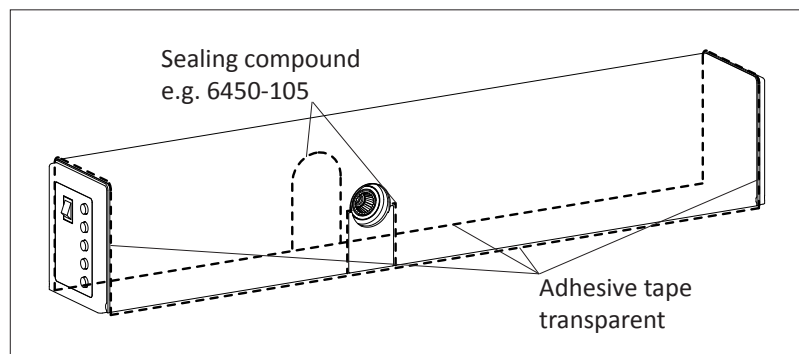
The rating plate (including EC identification) can be found on the direct current motor (below the drive mechanism covering).



### 3.6 Technical data

Drive mechanism	Standard GSd (special gear for sliding rods pushing function)
Power transmission	Normal rods Sliding rods
Dimensions drive mechanism	Height 95 mm, Width 690 mm Depth 120 mm
Weight drive mechanism	10,5 kg
Ambient temperature	-15...+50 °C
May only be used in dry rooms	max. relative humidity 85 %
Protection type	IP 40 (IP 42*)
Operating voltage	230 VAC (+10/-15 %), 50 Hz, 10/13 A
Power consumption drive mechanism	max. 560 W
Motor power rating	100 W
Power supply external consumer	24 VDC (±10 %), 2 A
Torque output shaft	80 Nm permanent 240 Nm max.
Distance door hinge - Output shaft	280 mm
Lintel depth	normal rods max. 240 mm sliding rods DIBt check. -30/+30 mm pl -30/+70 (+190) mm ps -30/+60 (+190) mm
Door opening angle	max. 105°
Weight of door leaf	max. 250 kg
Width of door leaf	EN 3...6 (851...1'400 mm) see chapter "Application limits"
Opening speed	2,4...20 s adjustable (max. 40°/s)
Closing speed	2,4...20 s adjustable (max. 40°/s)
Range of the accelerating function (forceful closing) (without mains power)	5...15° stepless adjustable (mechanical)
Motor damping (without mains power) within the range of the accelerating function (forceful closing)	stepless adjustable (adjusting trimmer)
Hold-open time	0...60 s
Hold-open time Night	0...180 s

\* For obtaining the protection type IP 42, the drive mechanism covering must be sealed all around!



### 3.7 Application limits without safety elements according to EN 16005



**Warning:**

In the event of swing doors installed in a non publicly accessible areas, without installation of safety elements that monitor the door leaf movement, the setting values specified hereafter for the **opening speed  $V_o$**  and the **closing speed  $V_c$**  must not be exceeded.

Opening force  $F_o$  and closing force  $F_c = \max. 4!$

**Normal rods pushing function (lintel mounting)**

Leaf weight Leaf width		0...50	51...90	91...130	131...170	171...210	211...250
		kg	kg	kg	kg	kg	kg
<b>EN 4</b>	951...1'100 mm	5	4	4	3	3	2
<b>EN 5</b>	1'101...1'250 mm	5	5	4	3	3	2
<b>EN 6</b>	1'251...1'400 mm	5	4	3	3	3	2

**Sliding rods pushing function (lintel mounting) Drive mechanism GSd**

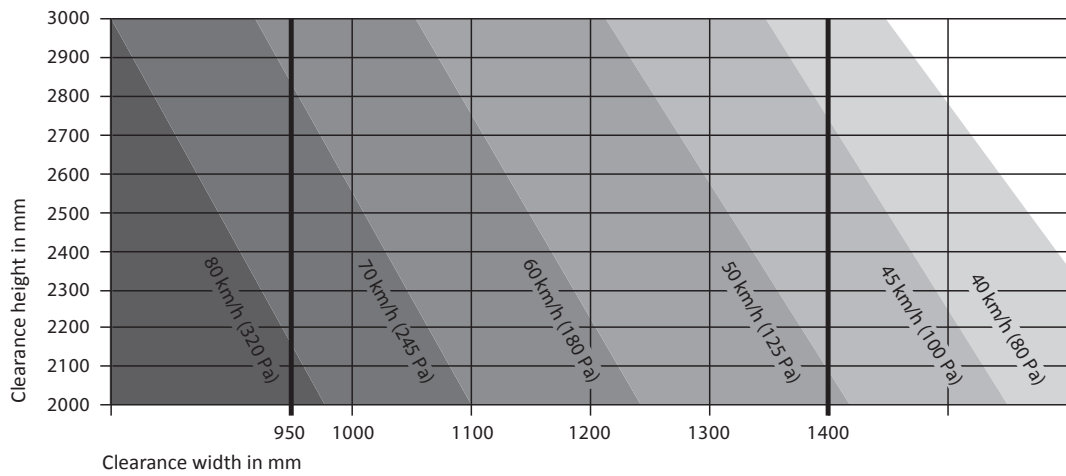
Leaf weight Leaf width		0...50	51...90	91...130	131...170	171...210	211...250
		kg	kg	kg	kg	kg	kg
<b>EN 3</b>	851...950 mm	4	4	3	1	1	-
<b>EN 4</b>	951...1'100 mm	4	2	2	1	1	1
<b>EN 5</b>	1'101...1'250 mm	3	3	2	1	1	1
<b>EN 6</b>	1'251...1'400 mm	3	3	3	1	1	1

**Sliding rods pulling function (lintel mounting)**

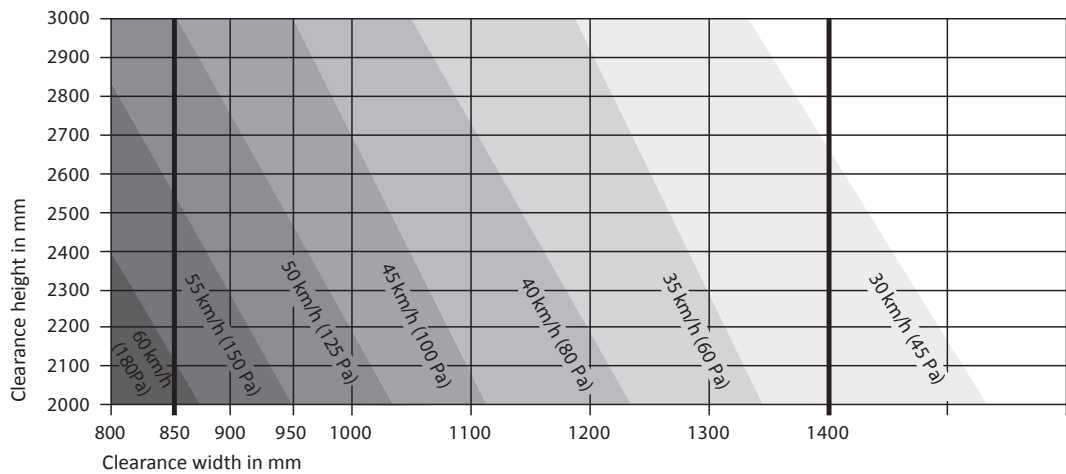
Leaf weight Leaf width		0...50	51...90	91...130	131...170	171...210	211...250
		kg	kg	kg	kg	kg	kg
<b>EN 3</b>	851...950 mm	5	4	4	2	1	1
<b>EN 4</b>	951...1'100 mm	4	3	3	2	1	1
<b>EN 5</b>	1'101...1'250 mm	4	3	2	1	1	1

### 3.8 Maximum wind-load capacity

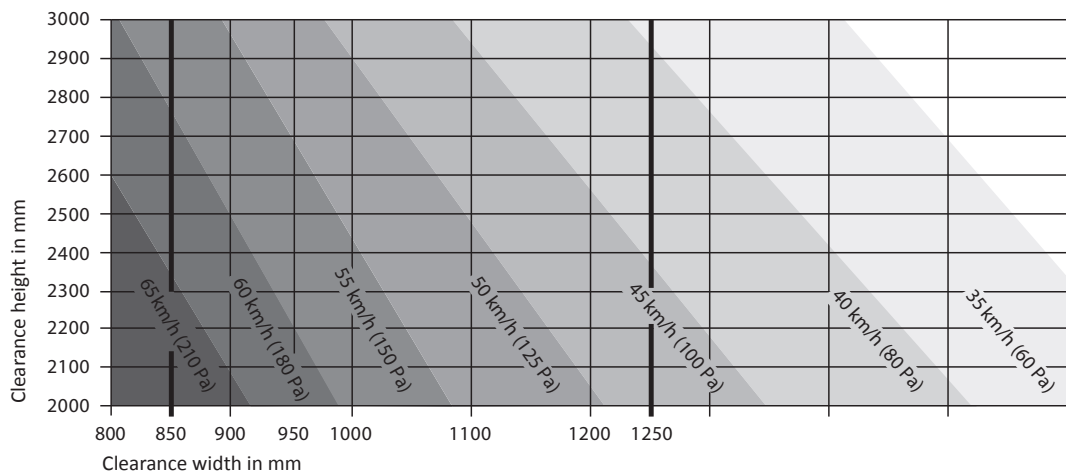
**Normal rods pushing function (lintel mounting)**



**Sliding rods pushing function (lintel mounting) Drive mechanism GSD**



**Sliding rods pulling function (lintel mounting)**



## 4 MOUNTING

### 4.1 Preparation



Attention:

Standard + inverse application

It is imperative for the customer to install a door leaf stop piece!

The latter limits the opening motion of the door leaf and prevents it's being damaged in the manual operating mode. As an option, an open position stop piece can be integrated into the drive mechanism itself.

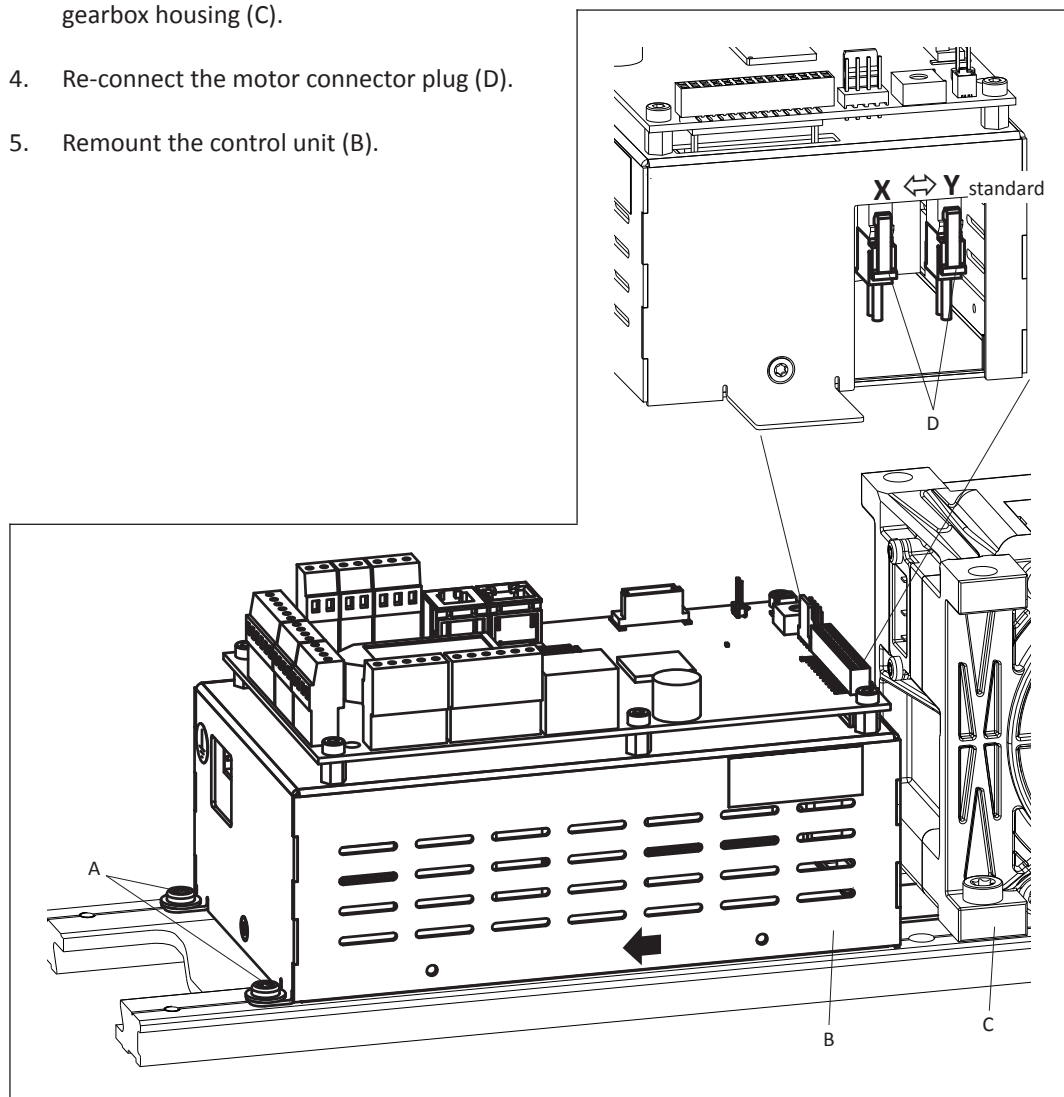
1. Check the free running movement of the door leaf.  
Should it fail to move smoothly and silently, or if it is out of balance (i. e. it opens or closes by itself), these problems must be eliminated first!



Attention:

The motor connector plug must be re-connected in the control unit, according to the respective mounting version (Y = standard  $\Rightarrow$  see chapter 4.2 Mounting versions). This in order to ensure the cushioning function.

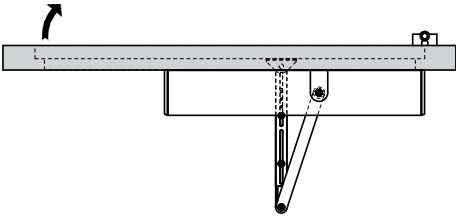
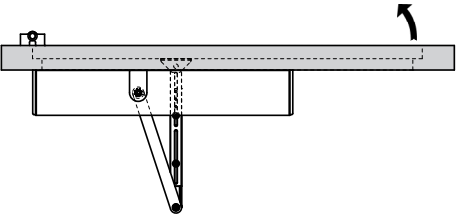
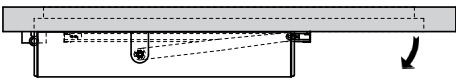
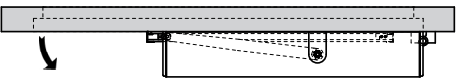
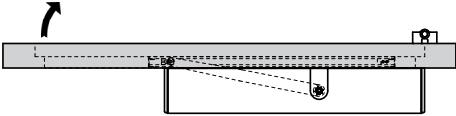
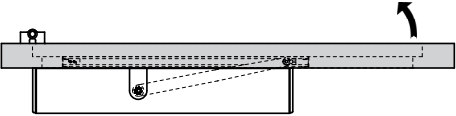
2. Loosen the two screws (A).
3. Pull the control (B) out from under the gearbox housing (C).
4. Re-connect the motor connector plug (D).
5. Remount the control unit (B).



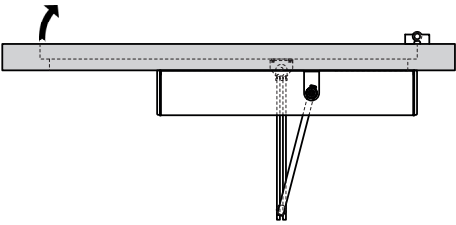
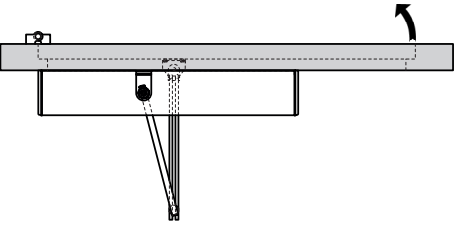
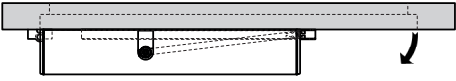
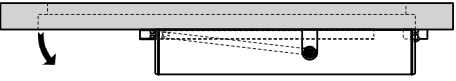
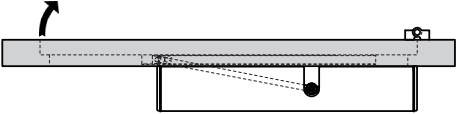
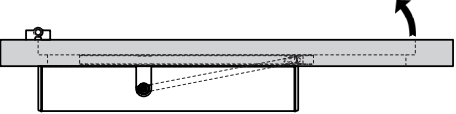


## 4.2 Mounting versions

### 4.2.1 Rod assemblies narrow RS/RG

DIN left	DIN right
 <p><b>Normal rods</b>                    0548-163/01 pushing function                      Lintel mounting                see chapter 4.4.1                      Lintel depth                    0...250 mm                      Drive mechanism                0548-032 alu / 0548-033 inox                      Motor connector plug        Standard Y, Inverse X                          see chapter 4.1</p>	 <p><b>Normal rods</b>                    0548-163/01 pushing function                      Lintel mounting                see chapter 4.4.1                      Lintel depth                    0...250 mm                      Drive mechanism                0548-032 alu / 0548-033 inox                      Motor connector plug        Standard Y, Inverse X                          see chapter 4.1</p>
 <p><b>Sliding rods</b>                    0548-164/01 pulling function                      Lintel mounting                see chapter 4.4.2                      Lintel depth                    -30/+120 mm                      Drive mechanism                0548-032 alu / 0548-033 inox                      Motor connector plug        Standard X, Inverse Y                          see chapter 4.1</p>	 <p><b>Sliding rods</b>                    0548-164/01 pulling function                      Lintel mounting                see chapter 4.4.2                      Lintel depth                    -30/+120 mm                      Drive mechanism                0548-032 alu / 0548-033 inox                      Motor connector plug        Standard X, Inverse Y                          see chapter 4.1</p>
 <p><b>Sliding rods</b>                    0548-164/01 pushing function                      Lintel mounting                see chapter 4.4.3                      Lintel depth                    -30/+50 mm                      Drive mechanism GSd        0548-034 alu / 0548-035 inox                      Motor connector plug        Standard Y, Inverse X                          see chapter 4.1</p>	 <p><b>Sliding rods</b>                    0548-164/01 pushing function                      Lintel mounting                see chapter 4.4.3                      Lintel depth                    -30/+50 mm                      Drive mechanism GSd        0548-034 alu / 0548-035 inox                      Motor connector plug        Standard Y, Inverse X                          see chapter 4.1</p>

4.2.2 Rod assemblies stainless steel

DIN left	DIN right
 <p><b>Normal rods</b>                    0548-104                      pushing function            0548-104/01 KTL                      Lintel mounting            see chapter 4.5.1                      Lintel depth                0...240 mm                      Drive mechanism            0548-032 alu / 0548-033 inox                      Motor connector plug    Standard Y, Inverse X                         see chapter 4.1</p>	 <p><b>Normal rods</b>                    0548-104                      pushing function            0548-104/01 KTL                      Lintel mounting            see chapter 4.5.1                      Lintel depth                0...240 mm                      Drive mechanism            0548-032 alu / 0548-033 inox                      Motor connector plug    Standard Y, Inverse X                         see chapter 4.1</p>
 <p><b>Sliding rods</b>                    0548-134                      pulling function            0548-105/01 KTL                      Lintel mounting            see chapter 4.5.2                      Lintel depth                -30/+30 mm DIBt checked                         -30/+70 (+190) mm                      Drive mechanism            0548-032 alu / 0548-033 inox                      Motor connector plug    Standard X, Inverse Y                         see chapter 4.1</p>	 <p><b>Sliding rods</b>                    0548-134                      pulling function            0548-105/01 KTL                      Lintel mounting            see chapter 4.5.2                      Lintel depth                -30/+30 mm DIBt checked                         -30/+70 (+190) mm                      Drive mechanism            0548-032 alu / 0548-033 inox                      Motor connector plug    Standard X, Inverse Y                         see chapter 4.1</p>
 <p><b>Sliding rods</b>                    0548-134                      pushing function            0548-105/01 KTL                      Lintel mounting            see chapter 4.5.3                      Lintel depth                -30/+30 mm DIBt checked                         -30/+60 (+190) mm                      Drive mechanism GSd    0548-034 alu / 0548-035 inox                      Motor connector plug    Standard Y, Inverse X                         see chapter 4.1</p>	 <p><b>Sliding rods</b>                    0548-134                      pushing function            0548-105/01 KTL                      Lintel mounting            see chapter 4.5.3                      Lintel depth                -30/+30 mm DIBt checked                         -30/+60 (+190) mm                      Drive mechanism GSd    0548-034 alu / 0548-035 inox                      Motor connector plug    Standard Y, Inverse X                         see chapter 4.1</p>

### 4.3 General



Warning:

The fastening bases must provide sufficient solidity. If necessary they have to be reinforced by the appropriate means.



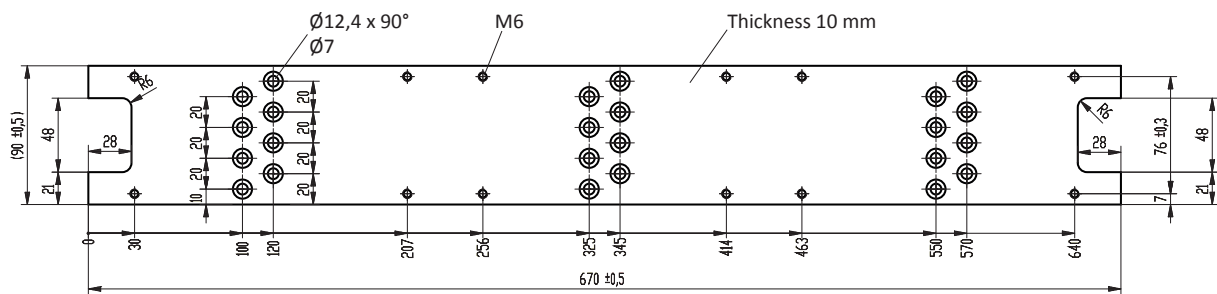
Attention:

The maximum admissible undulation of the fastening base is 1 mm.

For the fire safety version, the mounting plate 0548-358 respectively 0548-360 Mod must imperatively be mounted!

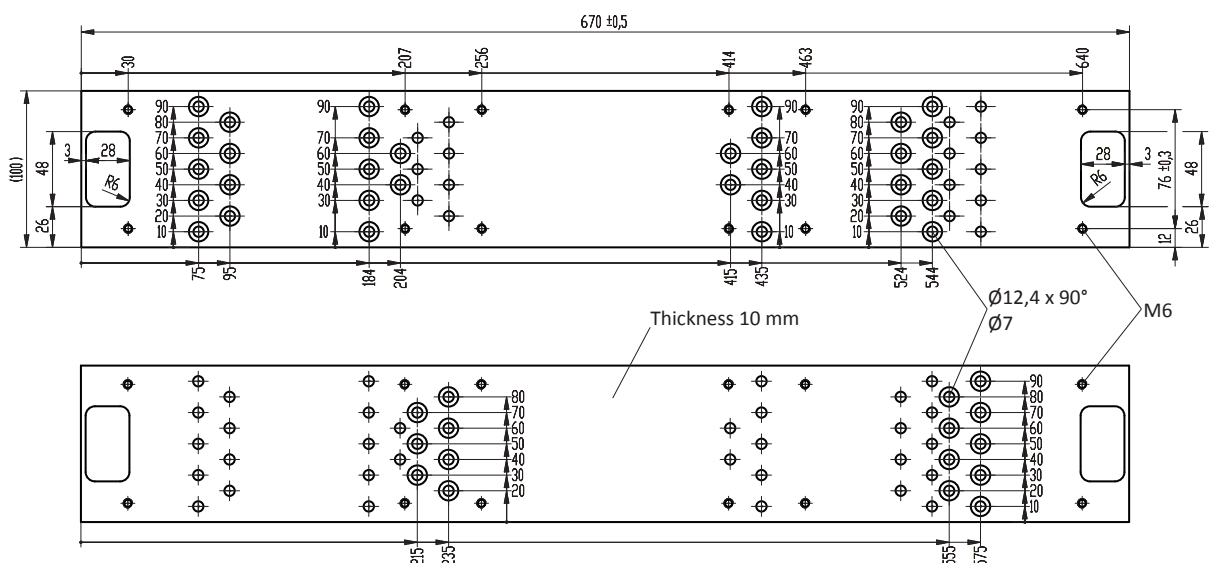
The mounting measures according to chapter 4 must be verified and complied with!

#### 0548-358



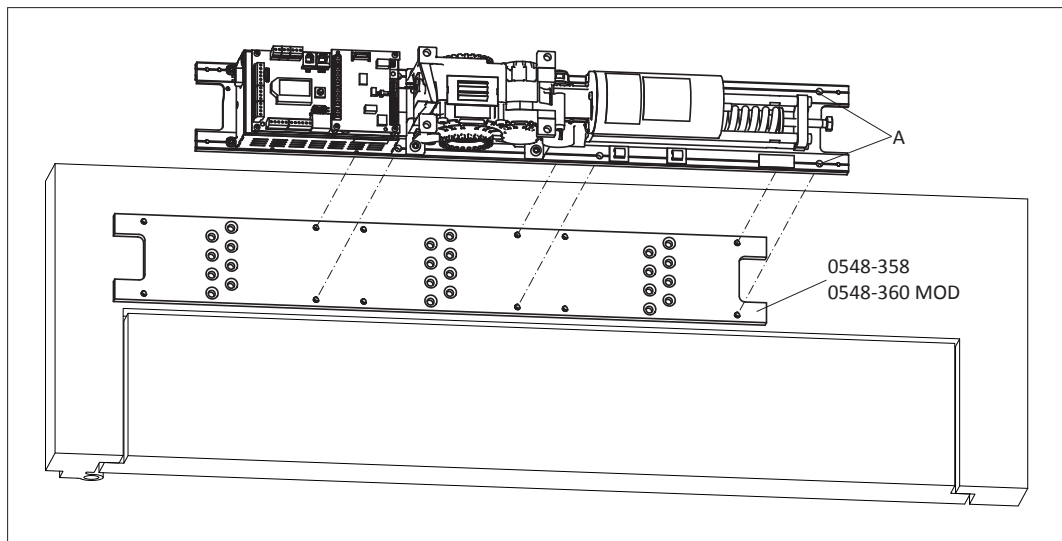
#### 0548-360 Mod

The mounting plate 0548-360 can be used in cases where an existing FDC-B drive mechanism needs to be replaced by an ETS 64-R drive mechanism and where the existing fastening holes of the FDC-B-mounting plate have to be reused.



**Warning:**

The drive mechanism must be fastened without torsion and perpendicularly, using all the six fixing holes! Tighten all the six M6 fixing screws (A) with a torque of **10 Nm!**

**Note:**

Depending on the assembly situation of the drive mechanism, it may be advisable to install the program selector on the opposite side (in order to guarantee an optimal operating facility). Should this be required, the work must be carried out according to chapter "Electrical connections".

**Note:**

In cases where it is planned to integrate an open position stop piece into the drive mechanism (option), this stop piece must be mounted prior to the rod assembly (see instructions for option 0548-992/02 resp. 0548-992/52).

**Note:**

In case FLATSCANS are planned, they must be mounted according to chapter 13.8.

## 4.4 Rod assemblies narrow RS/RG

### 4.4.1 Normal rods RS pushing function / Lintel mounting

**Material:**

1	Drive mechanism	0548-032	Covering aluminium
	Drive mechanism incl. fixing set	0548-033 0548-107	Covering inox
1	Mounting plate	0548-358	resp. 0548-360 MOD
1	Normal rods	0548-163/01	

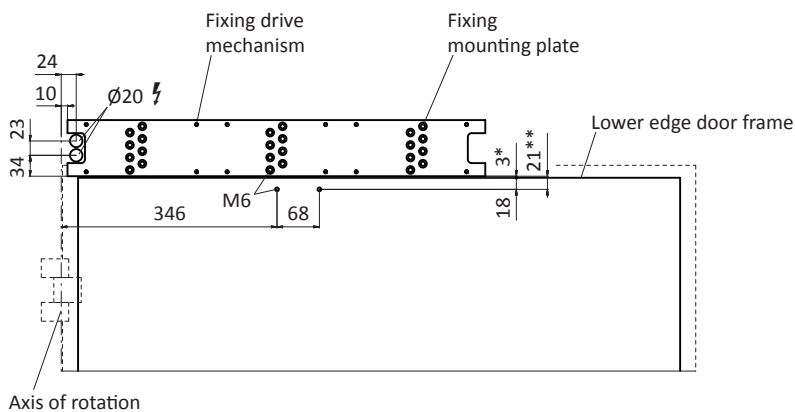
**Procedure:**

1. Mark out and drill the fastening holes on the lintel and the door leaf.
2. Mount the mounting plate.
3. If existing:  
Sub-assemble the drive-internal open position stop piece, integrated in the drive mechanism (see Option instructions 0548-992/02).
4. Mount the drive mechanism.

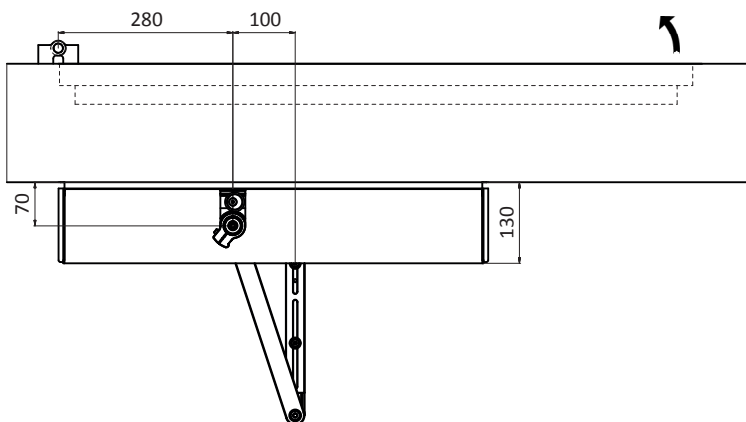
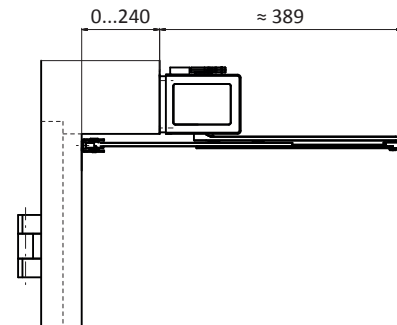
with mounting plate

Options	Axle extension (mm)	* (mm)	** (mm)
Standard	0	3	21
0548-190	+10	3...13	31
0548-191	+20	3...23	41
0548-192	+30	3...33	51
0548-193	+40	3...43	61
0548-194	+50	3...53	71

DIN right = as shown  
 DIN left = mirror-inverted



Lintel depth  
 DIBt checked



Drive mechanism standard

5. Close the door leaf.
6. Separate the rotating arm (C) from the rod arm (B) by loosen the screw (E).
7. Fasten the rod arm (B) by means of the door connection angle (A) onto the door leaf.
8. Position the rotating arm (C) perpendicularly with regard to the door leaf and screw it down in this position ⇒ Tightening moment 25 Nm.
9. Slightly loosen the screws (D) and the rotating arm (C), fasten them by means of the screw (E) to the rod arm (B) ⇒ Tightening moment 5 Nm.  
Attention:  
Adjust the rods to the required length. Choose the largest possible distance between both screws (D).
10. Prestress the rotating arm (C) until the rod arm (B) forms a right angle with the door leaf. Fasten the rod arm (B) by means of the screws (D) ⇒ Tightening moment 9 Nm.

⇒ forward to chapter 4.6

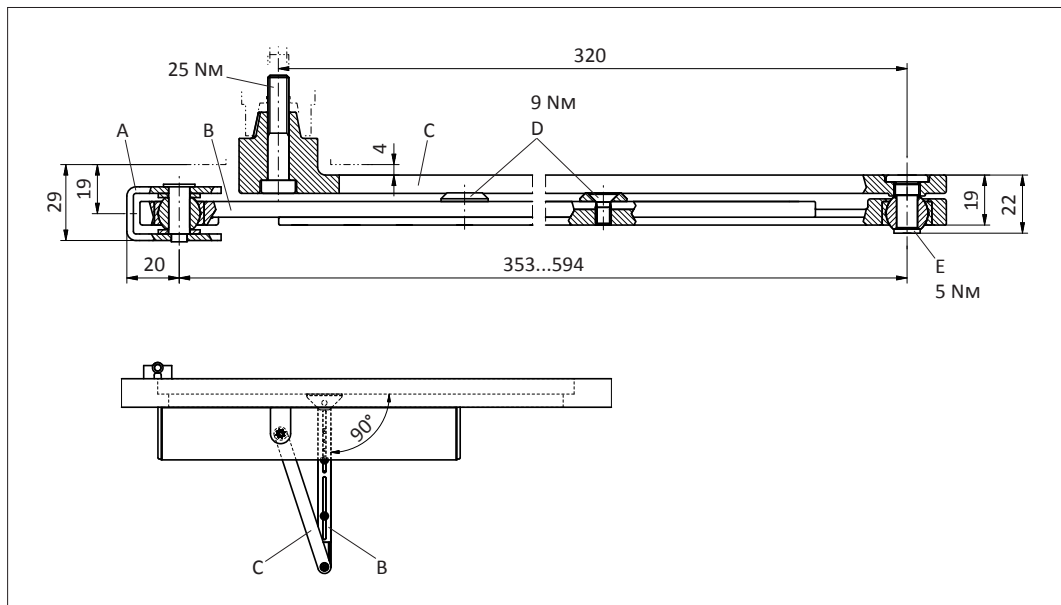
Inverse application

5. Separate the rotating arm (C) from the rod arm (B) by loosen the screw (E).
6. Fasten the rod arm (B) by means of the door connection angle (A) onto the door leaf.
7. Completely open the door leaf (max. 110°).
8. Position the rotating arm (C) perpendicularly with regard to the door lintel (direction open position) and screw it down in this position ⇒ Tightening moment 25 Nm.
9. Slightly loosen the screws (D) and the rotating arm (C), fasten them by means of the screw (E) to the rod arm (B) ⇒ Tightening moment 5 Nm.  
Attention:  
Adjust the rods to the required length. Choose the largest possible distance between both screws (D).
10. Close the door leaf.
11. Prestress the rotating arm (C) until the rod arm (B) forms a right angle with the door leaf. Fasten the rod arm (B) by means of the screws (D) ⇒ Tightening moment 9 Nm.

⇒ forward to page 24

**Attention:**

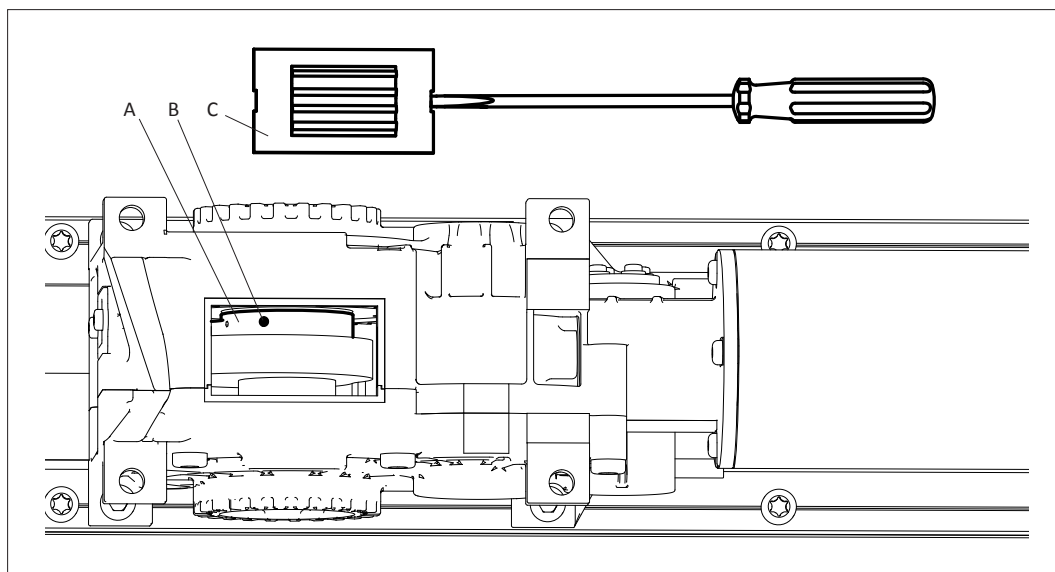
Check the motional sequence of the door leaf: The rods must not touch!



Inverse application

1. Let the door leaf be opened by spring power.
2. Using a screwdriver, carefully prize the service cover (C) out of the gearbox housing.
3. By means of a socket wrench 1,5 mm, slightly loosen the locking screw (B) and leave the socket wrench inserted in the locking screw (B).
4. Close the door leaf.
5. Carefully turn the cam disk (A) to the left or to the right until the locking screw (B) is located at the highest point and the socket wrench is in a vertical/perpendicular position. Tighten the locking screw (B).
6. Snap the service cover (C) into the gearbox housing.
7. Mount the open position stop piece approx. 5° before the door leaf reaches the maximum open position.  
If existing:  
Setting of the open-position stop piece, integrated in the drive mechanism (see Option instructions 0548-992/02).

⇒ forward to chapter 4.6





#### 4.4.2 Sliding rods RG pulling function / Lintel mounting

##### Material:

1	Drive mechanism	0548-032	Covering aluminium
	Drive mechanism incl. fixing set	0548-033 0548-107	Covering inox
1	Mounting plate	0548-358	resp. 0548-360 MOD
1	Sliding rods	0548-164/01	650 mm incl. sliding bolts 18/46 mm

##### Procedure:

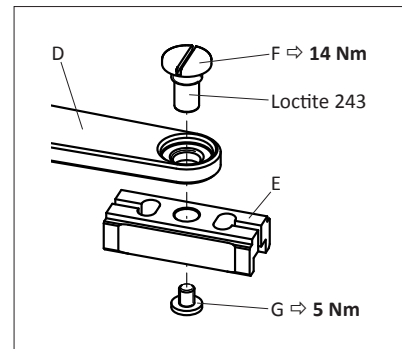
1. Mark out and drill the fastening holes on the lintel and the door leaf.



##### Note:

The illustration shows a 46 mm sliding bolt. Depending on the situation, this bolt can be replaced by the version 18 mm. This will change the respective dimensions by minus 28 mm.

2. Mount the mounting plate.
3. First loosen the screw (G) of the glider (E), then the bolt (F) of the rotating arm (D).
4. Depending on the situation, select the short 18 mm or long 46 mm bolt (F) and fasten it to the rotating arm (D) by means of screw locking adhesive Loctite 243: Tightening moment **14 Nm**.
5. Push the glider (E) over the bolt (F) and fasten it by means of screw (G): Tightening moment **5 Nm**.



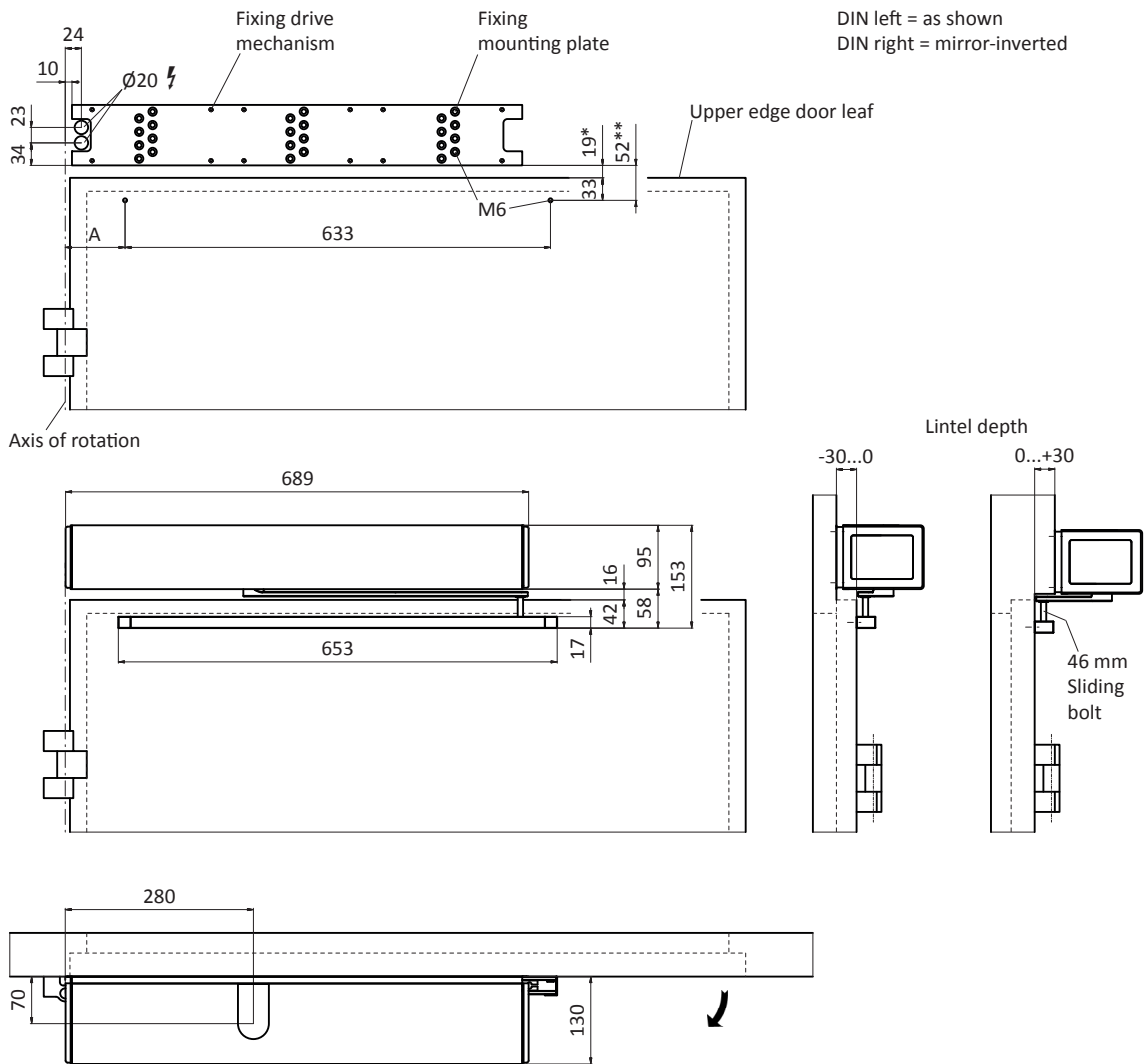
##### Attention:

When tightening the screw (G), the bolt (F) must not come loose!

with mounting plate

DIBt checked	Lintel depth (mm)	Min. width door leaf (mm) without / with FLATSCAN	Max. door opening angle (°)	A (mm) without / with FLATSCAN
✓	-30...+20	740 / 840	105	89 / 189
✓	21...30	750 / 840	105	99 / 189
-	31...40	750 / 840	105	99 / 189
-	41...70	750 / 840	100	99 / 189
-	71...90	760 / 840	95	109 / 189
-	91...110	770 / 840	95	119 / 189

Options	Axle extension (mm)	* (mm)	** (mm)
Standard	0	26...51	59
0548-190	+10	36...61	69
0548-191	+20	46...71	79
0548-192	+30	56...81	89
0548-193	+40	66...91	99
0548-194	+50	76...101	109



Drive mechanism standard

6. Close the door leaf.
7. Prior to the installation of the drive unit:  
Screw down the lever arm (D) on the drive unit  $\Rightarrow$   
Tightening moment 25 Nm.  
**Attention:**  
The pre-stressing of the lever arm (D) depends on the existing lintel depth.  
Example: Lintel depth 0 mm, pre-stressing of the lever arm (D)  $\approx 22,5^\circ$  (1 grid increment of the output shaft =  $15^\circ$ ).  
**Note:**  
To facilitate the installation, the closing spring (H) can be completely released by means of the setting screw (I).
8. While mounting the drive unit, push the lever arm (D) back by the pre-stressing angle of  $20^\circ$ .
9. Slide the open position stop piece (B) into the sliding rail (C).
10. Slide the sliding rail (C) over the glider (E) and bolt it onto the door leaf.
11. Screw down the open position stop piece (B) approx.  $5^\circ$  before the door leaf reaches the maximum open position.
12. Insert the covering caps (A) on both sides.

$\Rightarrow$  forward to chapter 4.6

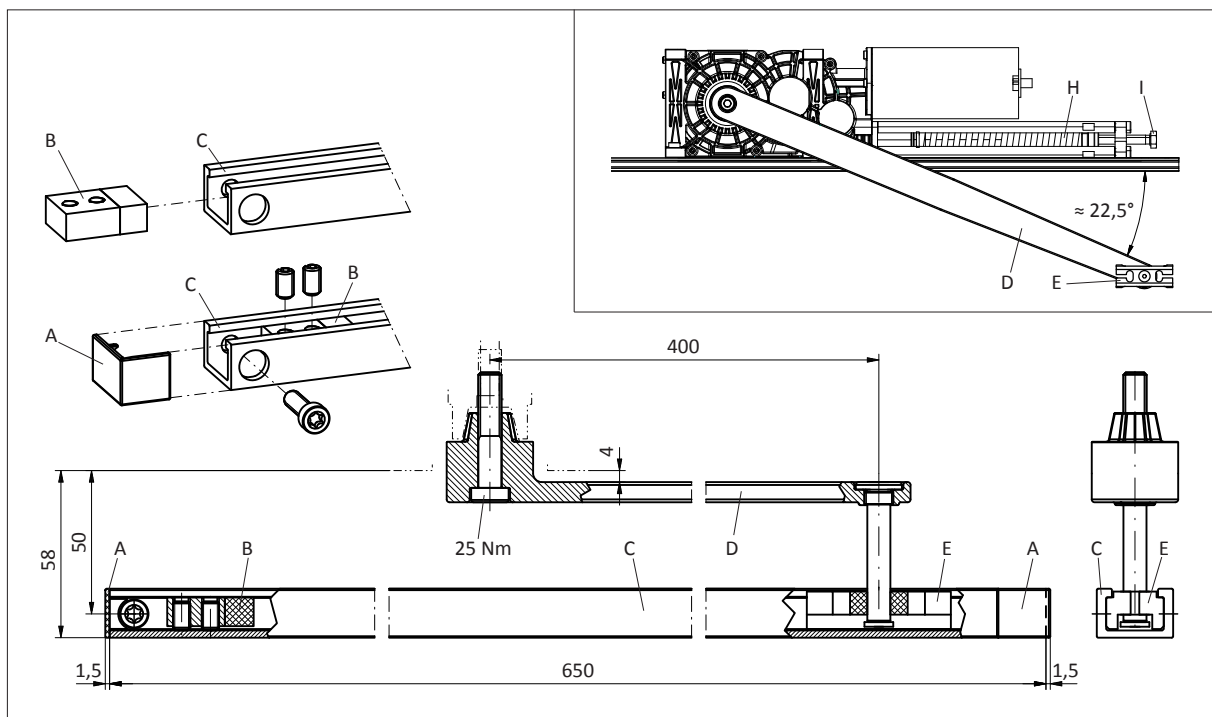
Inverse application

6. Mount the drive mechanism.
7. Open the door leaf (max.  $115^\circ$ ).
8. Slide the open position stop piece (B) into the sliding rail (C).
9. Slide the sliding rail (C) over the glider (E) and bolt it onto the door leaf.
10. At the complete door opening (max.  $115^\circ$ ):  
Screw down the lever arm (D) on the drive unit  $\Rightarrow$   
Tightening moment 25 Nm.
11. Screw down the open position stop piece (B) approx.  $5^\circ$  before the door leaf reaches the maximum open position.
12. Insert the covering caps (A) on both sides.

$\Rightarrow$  back to page 24

**Attention:**

Check the motional sequence of the door leaf: The rods must not touch!  
If the glider (E) makes screeching noises, it needs to be lubricated with a little WD40.



### 4.4.3 Sliding rods RG pushing function / Lintel mounting

#### Material:

1	Drive mechanism GSd	0548-034	Covering aluminium
	Drive mechanism GSd incl. fixing set	0548-035 0548-107	Covering inox
1	Mounting plate	0548-358	resp. 0548-360 MOD
1	Sliding rods	0548-164/01	650 mm incl. sliding bolts 18/46 mm

#### Procedure:

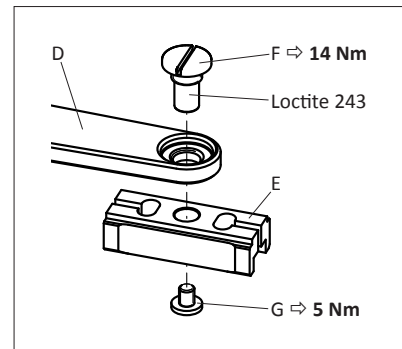
1. Mark out and drill the fastening holes on the lintel and the door leaf.



#### Note:

The illustration shows the 18 mm sliding bolt. Depending on the situation, this bolt can be replaced by the version 46 mm. This will change the respective dimensions by plus 28 mm.

2. Mount the mounting plate.
3. First loosen the screw (G) of the glider (E), then the bolt (F) of the rotating arm (D).
4. Depending on the situation, select the short 18 mm or long 46 mm bolt (F) and fasten it to the rotating arm (D) by means of screw locking adhesive Loctite 243: Tightening moment **14 Nm**.
5. Push the glider (E) over the bolt (F) and fasten it by means of screw (G): Tightening moment **5 Nm**.



#### Attention:

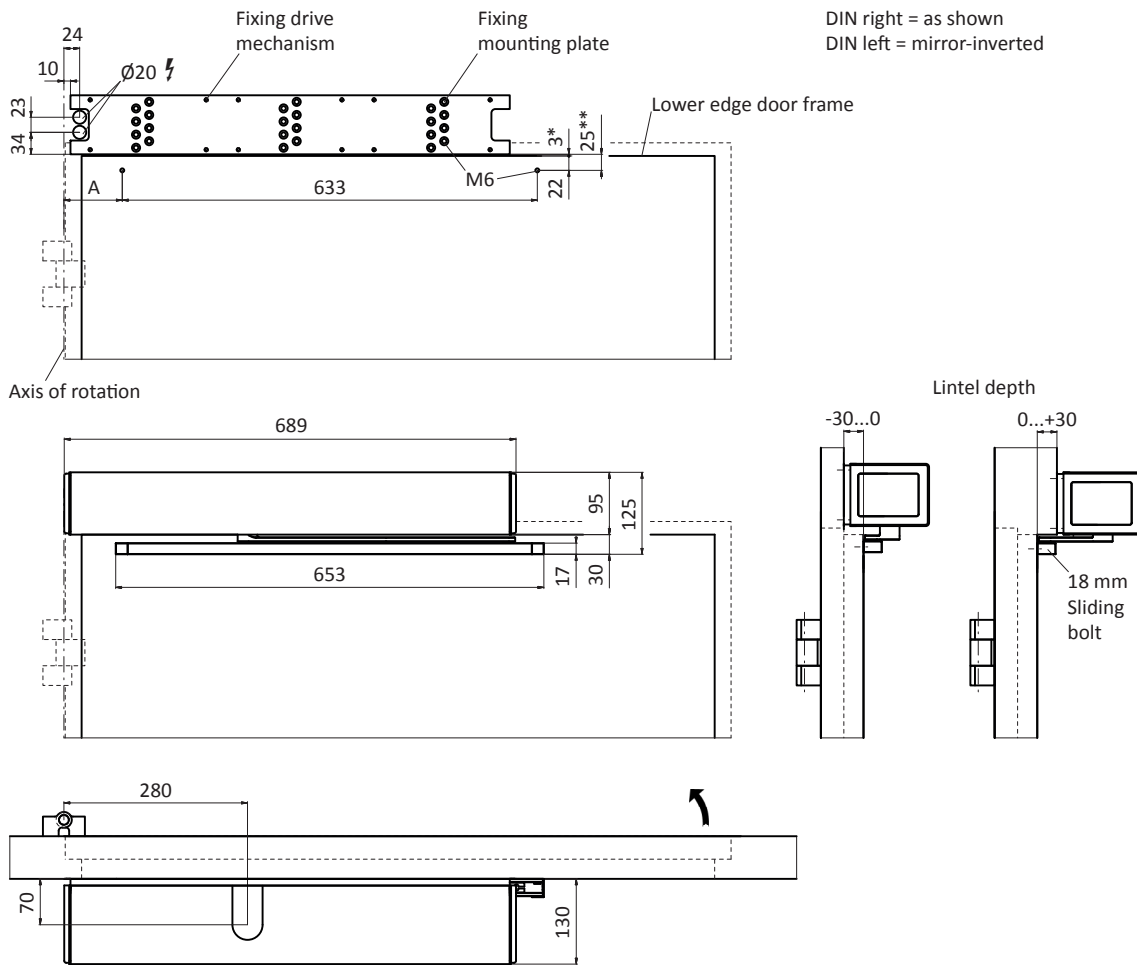
When tightening the screw (G), the bolt (F) must not come loose!

6. Mount the drive mechanism.

with mounting plate

DIBt checked	Lintel depth (mm)	Min. width door leaf (mm)	Max. door opening angle (°)	A (mm)
✓	-30...0	740	105	89
✓	1...10	730	105	79
✓	11...20	720	100	79
✓	21...30	720	95	79
-	31...40	720	95	79

Options	Axle extension (mm)	* (mm)	** (mm)
Standard	0	3	25
0548-190	+10	3...13	35
0548-191	+20	3...23	45
0548-192	+30	3...33	55
0548-193	+40	3...43	65
0548-194	+50	3...53	75



Drive mechanism standard

7. Close the door leaf.
8. Screw down the lever arm (D) on the drive unit  $\Rightarrow$  Tightening moment 25 Nm.  
  
Attention:  
The pre-stressing of the lever arm (D) depends on the existing lintel depth.  
Example: Lintel depth 0 mm, pre-stressing of the lever arm (D)  $\approx 7,5^\circ$  (1 grid increment of the output shaft =  $15^\circ$ ).
9. Slide the open position stop piece (B) into the sliding rail (C).
10. Slide the sliding rail (C) over the glider (E) and bolt it onto the door leaf.
11. Screw down the open position stop piece (B) approx.  $5^\circ$  before the door leaf reaches the maximum open position.
12. Insert the covering caps (A) on both sides.

$\Rightarrow$  forward to chapter 4.6

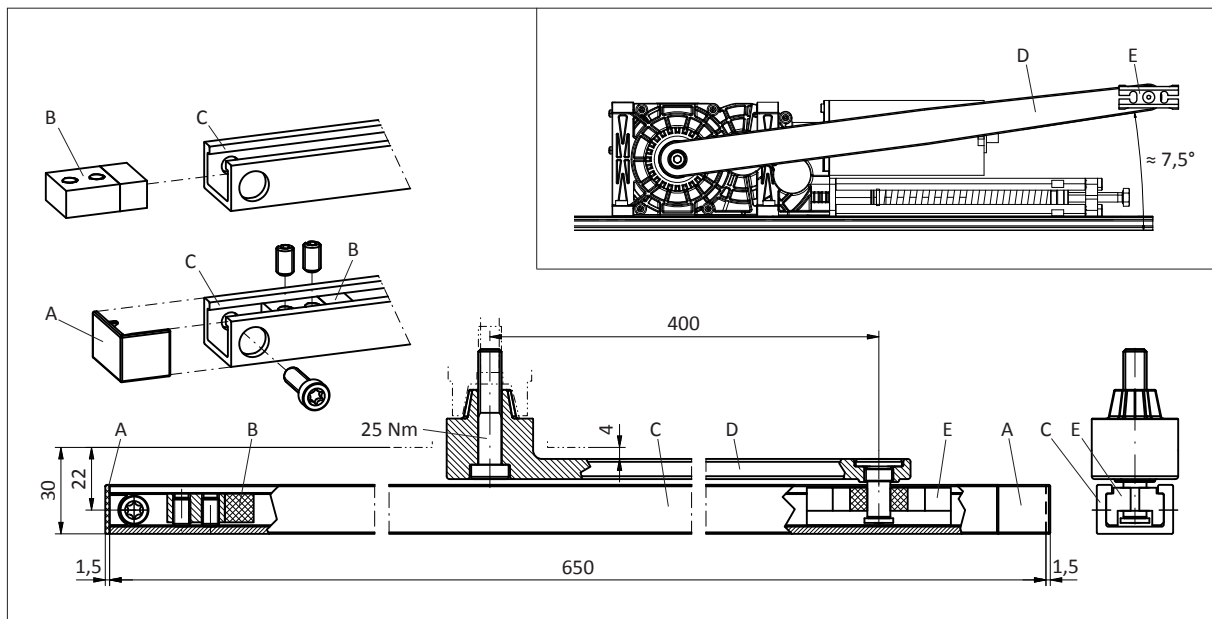
Inverse application

7. Open the door leaf (max.  $115^\circ$ ).
8. Slide the open position stop piece (B) into the sliding rail (C).
9. Slide the sliding rail (C) over the glider (E) and bolt it into the door leaf.
10. At the complete door opening (max.  $115^\circ$ ):  
Screw down the lever arm (D) on the drive unit  $\Rightarrow$  Tightening moment 25 Nm.
11. Screw down the open position stop piece (B) approx.  $5^\circ$  before the door leaf reaches the maximum open position.
12. Insert the covering caps (A) on both sides.

$\Rightarrow$  back to page 24

**Attention:**

Check the motional sequence of the door leaf: The rods must not touch!  
If the glider (E) makes screeching noises, it needs to be lubricated with a little WD40.



## 4.5 Rod assemblies stainless steel

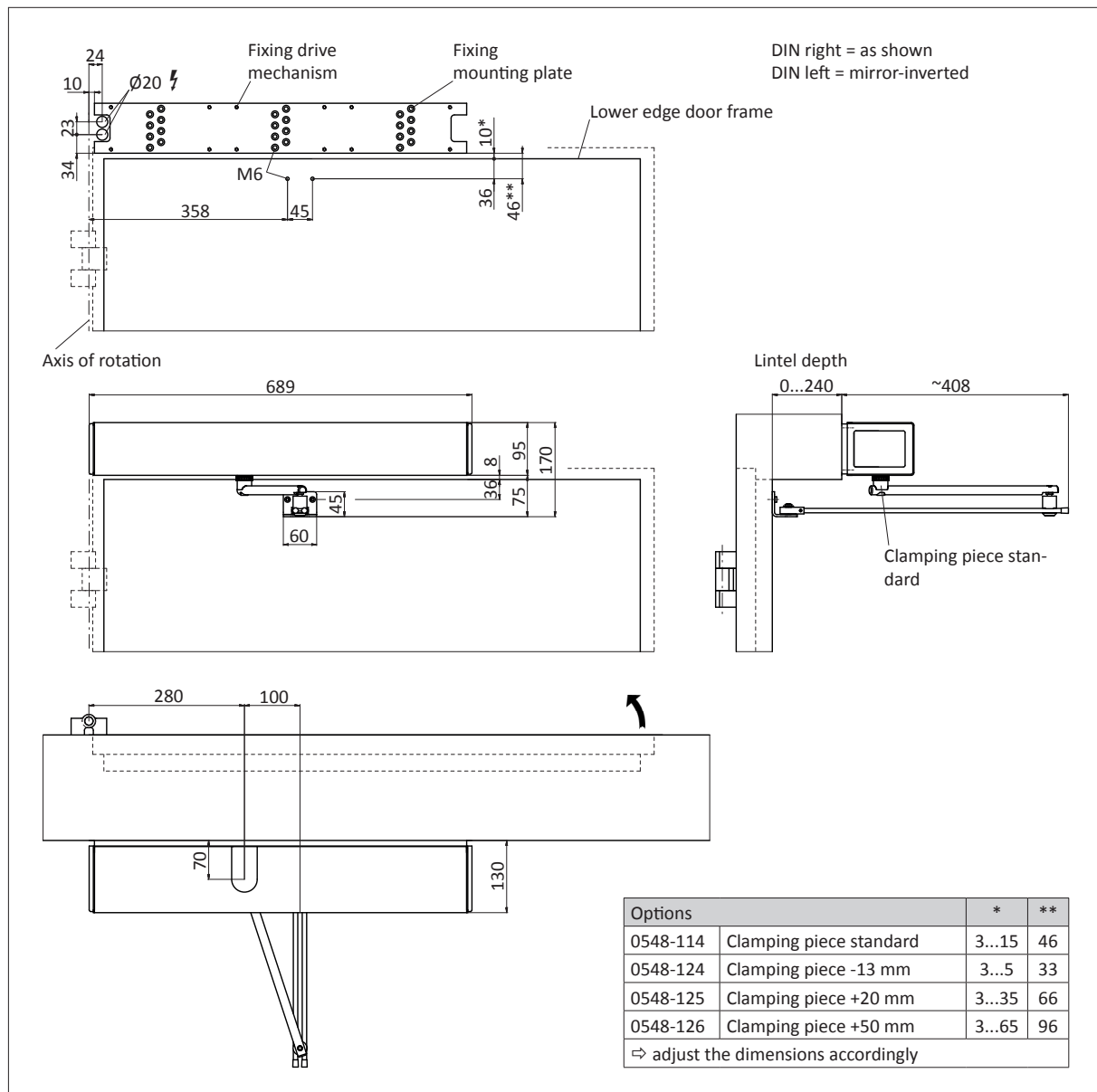
### 4.5.1 Normal rods pushing function / Lintel mounting

**Material:**

1	Drive mechanism	0548-032	Covering aluminium
	Drive mechanism	0548-033	Covering inox
	incl. fixing set	0548-107	
1	Mounting plate	0548-358	resp. 0548-360 MOD
1	Normal rods	0548-104	
	Normal rods KTL	0548-104/01	

**Procedure:**

1. Mark out and drill the fastening holes on the lintel and the door leaf.
2. Mount the mounting plate.
3. If existing:  
Sub-assemble the drive-internal open position stop piece, integrated in the drive mechanism (see Option instructions 0548-992/02).
4. Mount the drive mechanism.



Drive mechanism standard

5. Close the door leaf.
6. Separate the rotating arm (D) from the rod arm (B) by dismounting the ball and socket joint (E).
7. Fasten the rod arm (B) by means of the door connection angle (A) onto the door leaf.
8. Position the rotating arm (D) including the clamping piece (C) perpendicularly with regard to the door leaf and screw the rotating arm (D) down in this position.
9. Slightly loosen the screw (F) of the rod arm (B) and snap in the ball and socket joint (E) which connects the rotating arm (D) with the rod arm (B).
10. Prestress the rotating arm (D) until the rod arm (B) forms a right angle with the door leaf. Fasten the rod arm (B) by means of the screw (F).
11. Tighten all the screws.
12. Mount the open position stop piece approx. 5° before the door leaf reaches the maximum open position.  
If existing:  
Setting of the open-position stop piece, integrated in the drive mechanism (see Option instructions 0548-992/02).

⇒ forward to chapter 4.6

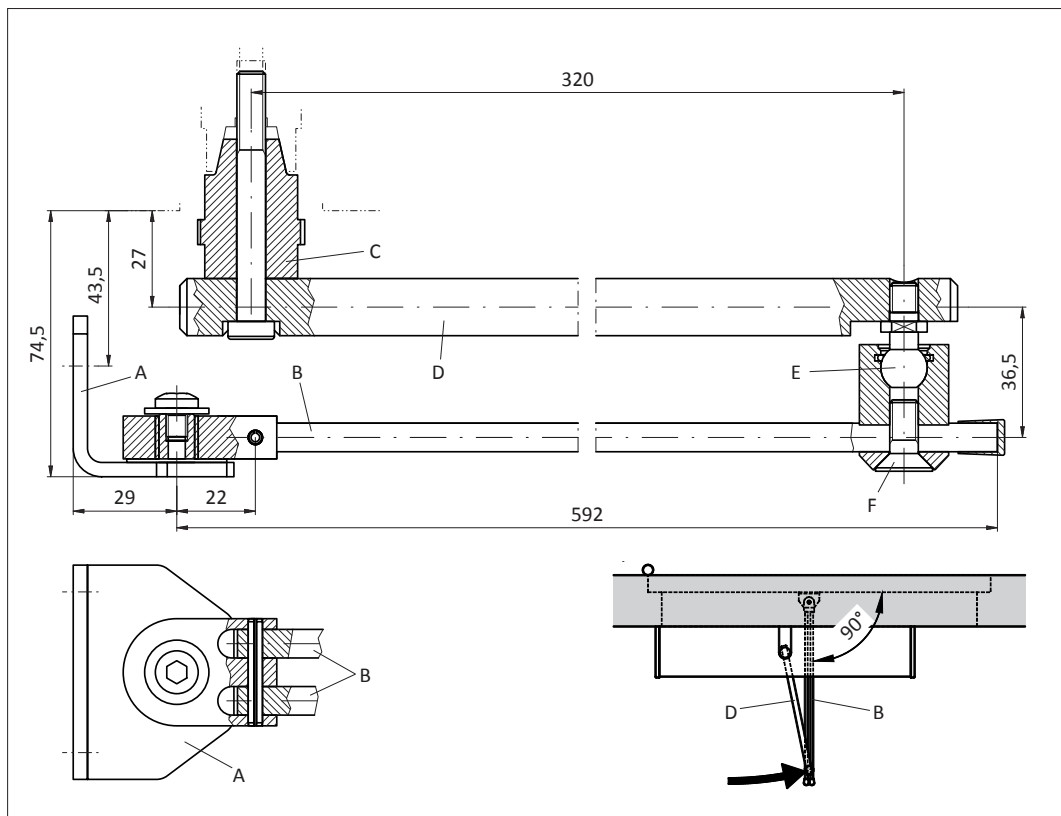
Inverse application

5. Separate the rotating arm (D) from the rod arm (B) by dismounting the ball and socket joint (E).
6. Fasten the rod arm (B) by means of the door connection angle (A) onto the door leaf.
7. Completely open the door leaf (max. 110°).
8. Position the rotating arm (D) including the clamping piece (C) perpendicularly with regard to the door lintel (direction open position) and screw the rotating arm (D) down in this position.
9. Slightly loosen the screw (F) of the rod arm (B) and snap in the ball and socket joint (E) which connects the rotating arm (D) with the rod arm (B).
10. Close the door leaf.
11. Position the rod arm (B) perpendicularly with regard to the door leaf. Fasten the rod arm (B) by means of the screw (F).
12. Tighten all the screws.

⇒ back to page 24

**Attention:**

Check the motional sequence of the door leaf: The rods must not touch. If the rod arm (B) juts out too much, it can be shortened if necessary.





## 4.5.2 Sliding rods pulling function / Lintel mounting

### Material:

1	Drive mechanism	0548-032	Covering aluminium
	Drive mechanism incl. fixing set	0548-033 0548-107	Covering inox
1	Mounting plate	0548-358	resp. 0548-360 MOD
1	Sliding rods	0548-134	620 mm incl. sliding bolts 14/38 mm
	Sliding rods KTL	0548-105/01	620 mm incl. sliding bolts 14/38 mm

### Procedure:

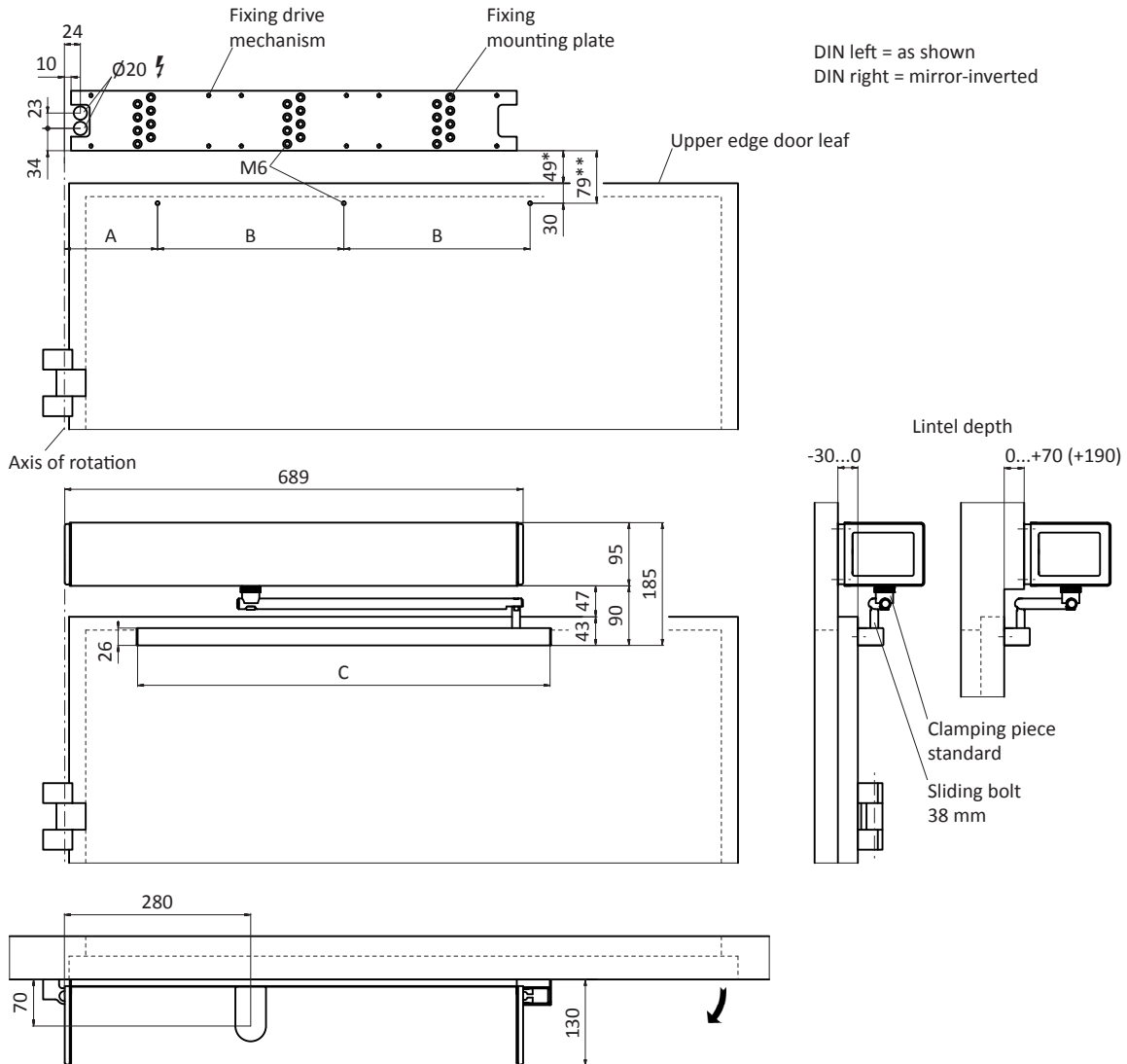
1. Mark out and drill the fastening holes on the lintel and the door leaf.
2. Mount the mounting plate.
3. If existing: Sub-assemble the drive-internal open position stop piece, integrated in the drive mechanism (see Option instructions 0548-992/02).



#### Note:

The illustration shows a 38 mm sliding bolt. Depending on the situation, this bolt can be replaced by the version 14 mm. This will change the respective dimensions by minus 24 mm.

DIBt checked	Lintel depth (mm)	Min. width door leaf (mm) without / with FLATSCAN	Max. door opening angle (°)	Rod assemblies (art. no.)	A (mm) without / with FLATSCAN	B (mm)	C (mm)
✓	-30...+30	740 / 810	105	0548-105	140 / 210	280	620
-	31...70	760 / 810	100	0548-105	160 / 210	280	620
-	-30...+130	890 / 1'020	105	0548-105/02	80 / 210	385	830
-	131...170	910 / 1'020	100	0548-105/02	100 / 210	385	830
-	171...190	910 / 1'020	95	0548-105/02	100 / 210	385	830



Options		*	**
0548-114	Clamping piece standard	44...66	79
0548-124	Clamping piece -13 mm	31...53	60
0548-125	Clamping piece +20 mm	64...86	99
0548-126	Clamping piece +50 mm	94...116	129

⇒ adjust the dimensions accordingly

Drive mechanism standard

4. Close the door leaf.
5. Install the mounting profile (E) on the door leaf.
6. Prior to the installation of the drive mechanism: screw down the rotating arm (B) on the drive mechanism (with a 15° offset = 1 grid increment of the output shaft).  
Note:  
To facilitate the installation, the closing spring (H) can be completely released by means of the setting screw (I).
7. While mounting the drive mechanism, push the rotating arm (B) back by the pre-stressing angle of 15°.
8. Push the guide profile (G) over the glider (C) and hook it into the mounting profile (E).
9. On both sides insert and screw down the expansion element (F) with 1,5 Nm.
10. Snap in the covering caps (D) on both sides.
11. Mount the open position stop piece approx. 5° before the door leaf reaches the maximum open position.  
If existing:  
Setting of the open-position stop piece, integrated in the drive mechanism (see Option instructions 0548-992/02).

⇒ forward to chapter 4.6

Inverse application

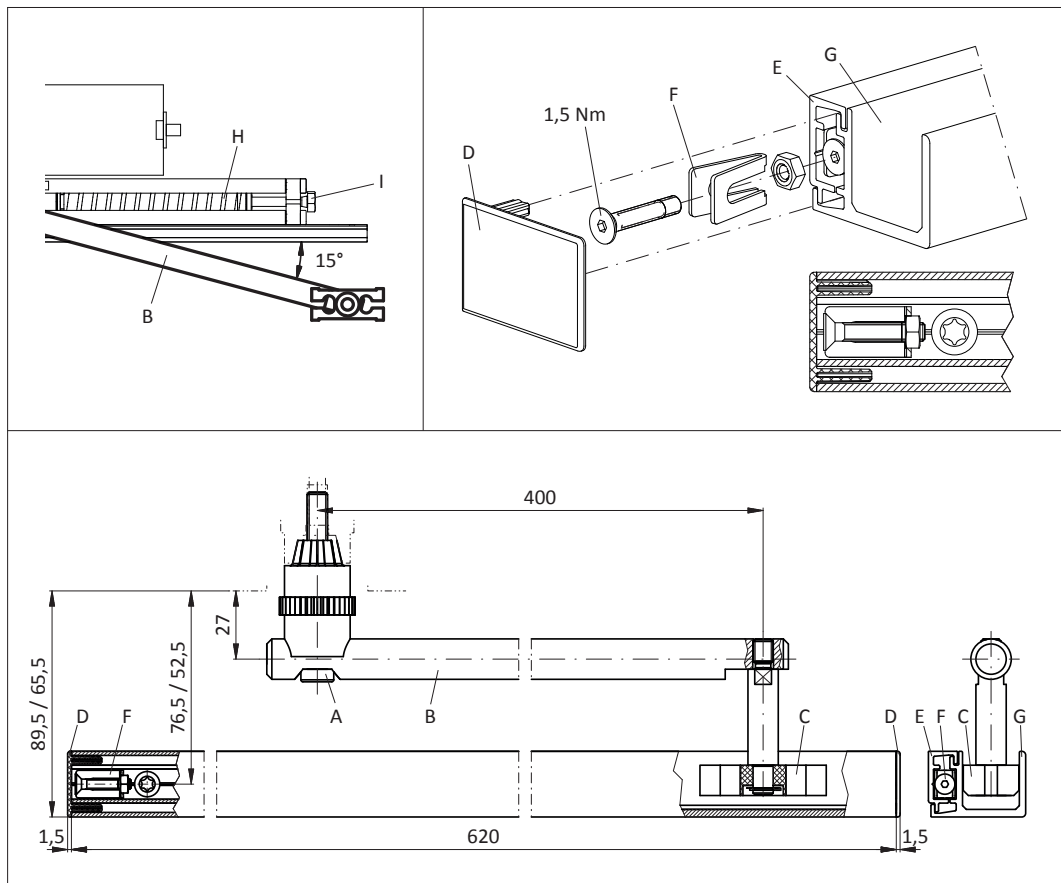
4. Mount the drive mechanism.
5. Install the mounting profile (E) on the door leaf.
6. Hook the guide profile (G) into the mounting profile (E), on both sides insert and screw down the expansion element (F) with 1,5 Nm.
7. Completely open the door leaf (max. 115°).
8. Insert glider (C) into guide profile (G) and screw down the rotating arm (B) on the drive mechanism.
9. Snap in the covering caps (D) on both sides.

⇒ back to page 24

**Attention:**

Check the motional sequence of the door leaf:

The rods must not touch. If the glider (C) makes screeching noises, it needs to be lubricated with a little WD40.



### 4.5.3 Sliding rods pushing function / Lintel mounting

#### Material:

1	Drive mechanism GSd	0548-034	Covering aluminium
	Drive mechanism GSd incl. fixing set	0548-035 0548-107	Covering inox
1	Mounting plate	0548-358	resp. 0548-360 MOD
1	Sliding rods	0548-134	620 mm incl. sliding bolts 14/38 mm
	Sliding rods KTL	0548-105/01	620 mm incl. sliding bolts 14/38 mm

#### Procedure:

1. Mark out and drill the fastening holes on the lintel and the door leaf.
2. Mount the mounting plate.
3. If existing: Sub-assemble the drive-internal open position stop piece, integrated in the drive mechanism (see Option instructions 0548-992/02).
4. Mount the drive mechanism.

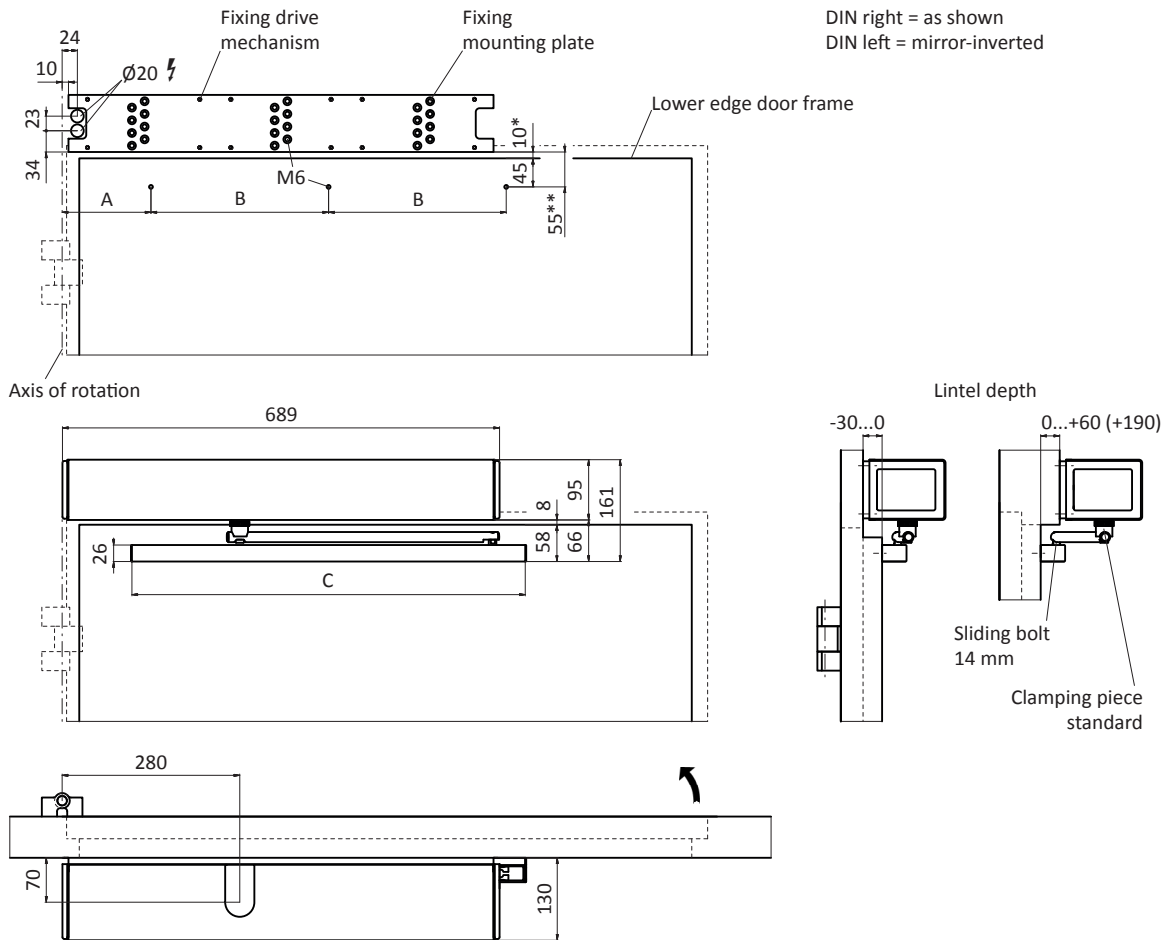


#### Note:

The illustration shows the 14 mm sliding bolt. Depending on the situation, this bolt can be replaced by the version 38 mm. This will change the respective dimensions by plus 24 mm.

DIBt checked	Lintel depth (mm)	Min. width door leaf (mm)	Max. door opening angle (°)	Rod assemblies (art. no.)	A (mm)	B (mm)	C (mm)
✓	-30...+10	740	105	0548-105	140	280	620
✓	11...20	730	105	0548-105	130	280	620
✓	21...30	720	105	0548-105	120	280	620
-	31...50	720	100	0548-105	120	280	620
-	51...60	720	95	0548-105	120	280	620
-	-30...+190	870	105	0548-105/02	60	385	830

With lintel depths >140 mm we recommend using the normal rods.



Options		*	**
0548-114	Clamping piece standard	3...11	55
0548-124	Clamping piece -13 mm	3...5	42
0548-125	Clamping piece +20 mm	3...31	75
0548-126	Clamping piece +50 mm	3...61	105

⇒ adjust the dimensions accordingly

Drive mechanism standard

5. Close the door leaf.
6. Install the mounting profile (E) on the door leaf.
7. Screw down the rotating arm (B) parallel to the drive mechanism.
8. Push the guide profile (G) over the glider (C) and hook it into the mounting profile (E).
9. On both sides insert and screw down (with 1,5 Nm) the expansion element (F).
10. Snap in the covering caps (D) on both sides.

⇒ forward to chapter 4.6

Inverse application

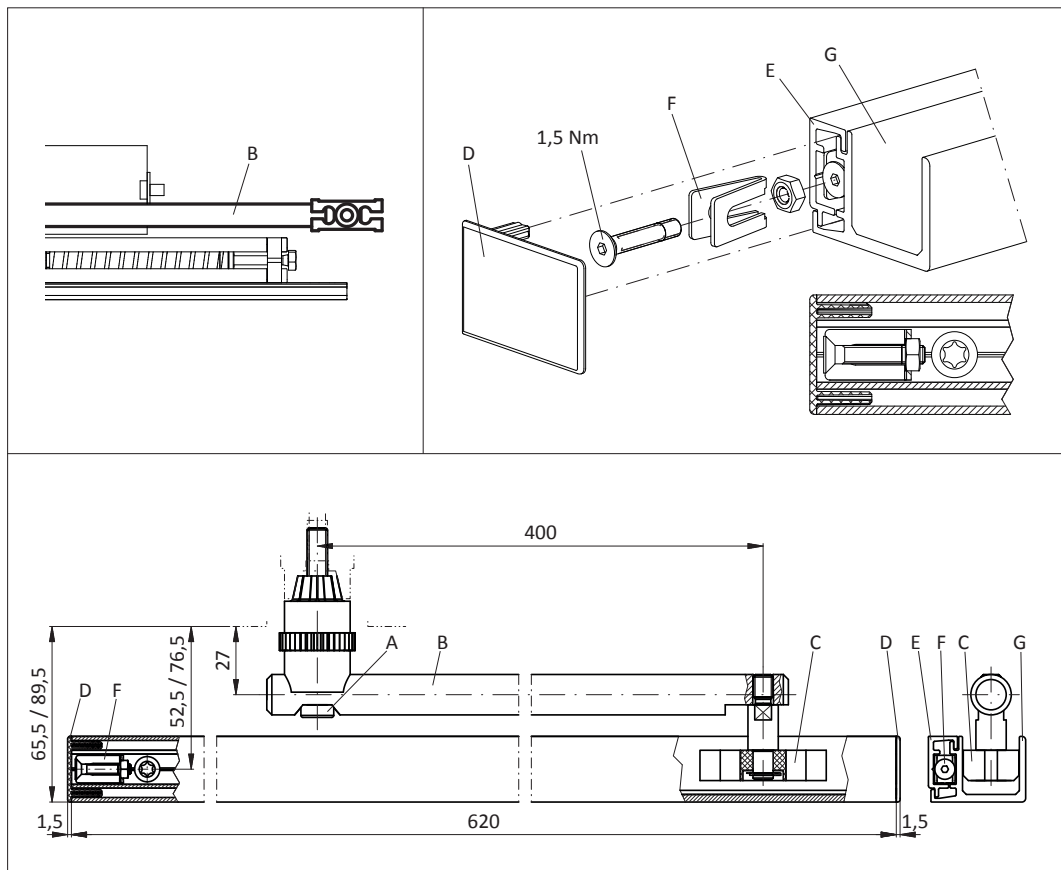
5. Install the mounting profile (E) on the door leaf.
6. Hook the guide profile (G) into the mounting profile (E), on both sides insert and screw down (with 1,5 Nm) the expansion element (F).
7. Completely open the door leaf (max. 115°).
8. Insert glider (C) into guide profile (G) and screw down the rotating arm (B) on the drive mechanism.
9. Snap in the covering caps (D) on both sides.

⇒ back to page 24

**Attention:**

Check the motional sequence of the door leaf:

The rods must not touch. If the glider (C) makes screeching noises, it needs to be lubricated with a little WD40.



## 4.6 Adjusting the pre-stressing of the closing spring

Upon delivery, the closing spring is pre-stressed for a measure  $X^* = 26$  mm. To ensure a safe and optimal operation of the swing door drive mechanism, the correct pre-stressing must be adjusted for the closing spring (by means of the setting screw).



Note:

The correct pre-stressing of the closing spring must imperatively be adjusted before carrying out the automatic setting-up procedure! The setting values are mandatory for fire-protection and/or escape way doors.

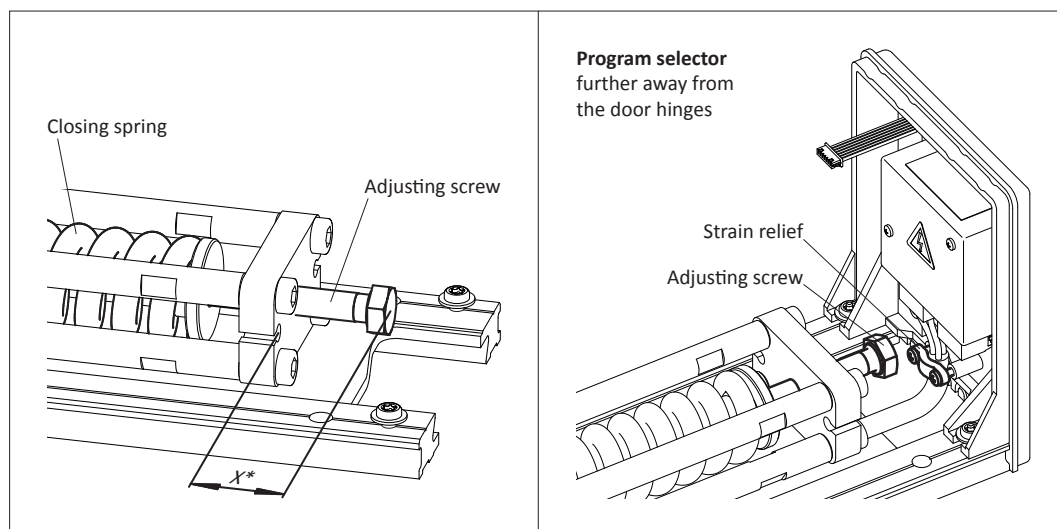


Attention:

The setting screw needs to be shortened by 10 mm if it butts against the side cover's strain relief (with program selector key).

### Procedure:

1. Close the door leaf.
2. Using the setting screw, adjust the measure  $X^*$  in function of the respective situation.
3. Open the door leaf by at least  $60^\circ$  and then let it be closed.



### Drive mechanism standard

EN class	EN 3	EN 4	EN 5	EN 6
Width of door leaf	950 mm	1'100 mm	1'250 mm	1'400 mm
Closing torque 0...4°	18 Nm	26 Nm	37 Nm	54 Nm
<b>Normal rods</b>				
Measure $X^*$	-	27 mm	23 mm	17 mm
<b>Sliding rods pulling function</b>				
Measure $X^*$	27 mm	22 mm	14 mm	-
<b>Sliding rods pushing function</b>				
Measure $X^*$	26 mm	22 mm	17 mm	9 mm

\* Measure  $X$  is an approximated value for a lintel depth of 0 mm. The force necessary for manually opening a door must not exceed 150 N. This effort shall be measured as a static force on the main closing edge (perpendicularly to the door leaf), at a height of 1'000 mm  $\pm$ 10 mm.

**Inverse application**

EN class	EN 3	EN 4	EN 5	EN 6
Width of door leaf	950 mm	1'100 mm	1'250 mm	1'400 mm
<b>Normal rods</b>				
Measure X *	40 mm	36 mm	31 mm	27 mm
<b>Sliding rods pulling function</b>				
Measure X *	38 mm	34 mm	29 mm	23 mm
<b>Sliding rods pushing function</b>				
Measure X *	36 mm	33 mm	27 mm	20 mm

- \* Measure X is an approximated value for a lintel depth of 0 mm.  
 Increase the spring tension only as little as necessary.  
 The drive mechanism must be able to open the door leaf safely from any position.



## 4.7 Setting the accelerating function (forceful closing)



Note:

The accelerating function (forceful closing) is only activated for the standard drive mechanism.

### 4.7.1 Accelerating force

While an installation is in the state “without mains power” or in the operating mode MANUAL, the motor acts as an attenuator, thus guaranteeing a constant closing speed until the Closed position is reached.

To make sure that, when switched to the de-energized state or in the operating mode MANUAL, the door leaf is reliably engaged by the door lock, the drive mechanism is equipped with a door slam function (acceleration causing a forceful closing). By means of the potentiometer, the motor attenuation (shortly before the door leaf reaches the closed position) can be adjusted so that the pressure spring will have sufficient power for pushing the door leaf safely into the door lock.

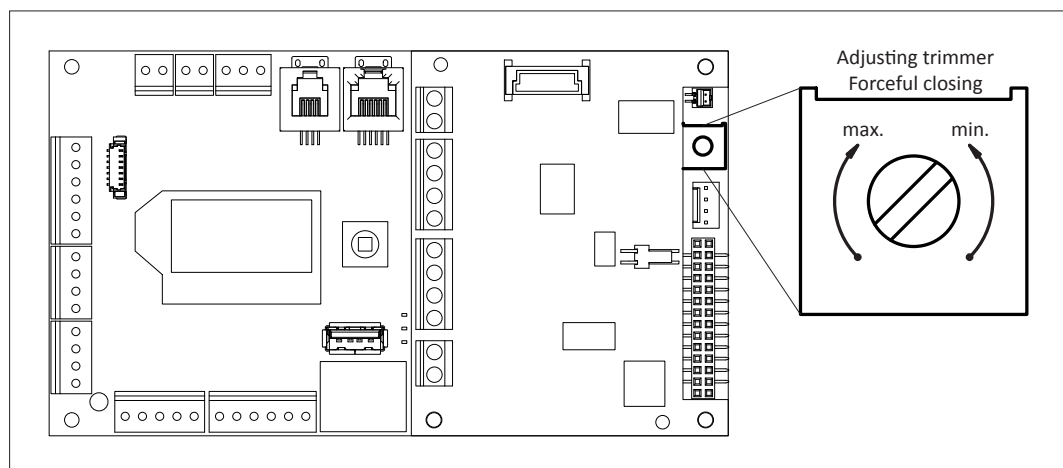
#### Procedure:

1. Open the door leaf by 90° and then let it be closed.
2. Should the door leaf fail to engage in the lock, adjust the door slam cushioning by means of the potentiometer (provided on the control unit).



Warning:

In de-energized state or in the operating mode MANUAL, the closing procedure must last at least 3 seconds (from the open position 90° up to the closed position 0°).



## 4.7.2 Forceful closing range

Upon delivery from the factory, the activation of the accelerating function (forceful closing) is pre-set (i.e. it intervenes approx. 5° before reaching the closed position). Under normal conditions, it will not be necessary to change the default setting! However, in cases where in the de-energized state or in the operating mode MANUAL the door leaf fails to be reliably engaged in the door lock, the activation point of the accelerating function (forceful closing) can be shifted (by means of a continuously adjustable cam disk).

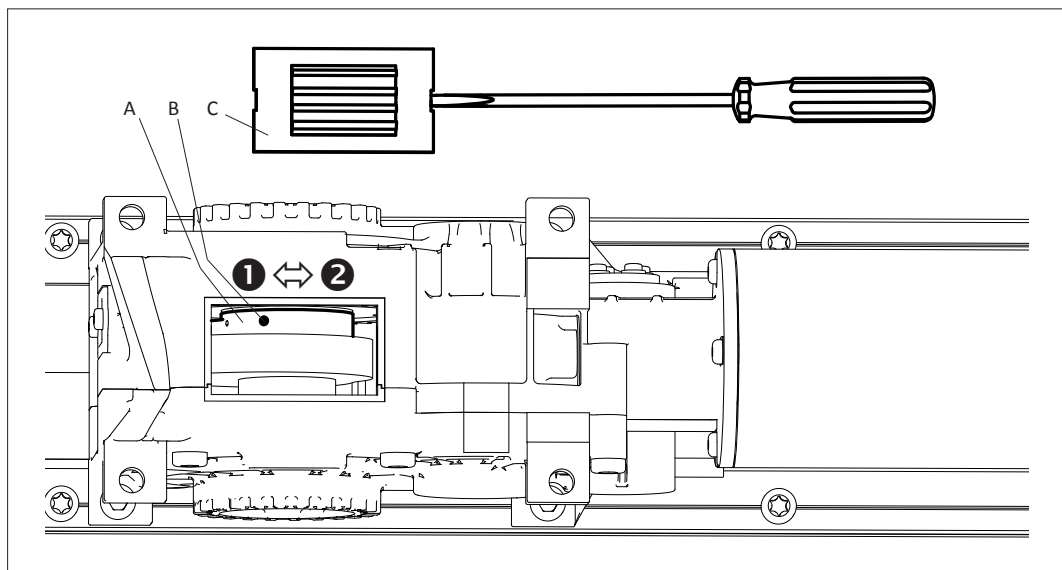


Note:

The setting range is between 5 and 15° of the door opening angle.

### Procedure:

1. Using a screwdriver, carefully prize the service cover (C) out of the gearbox housing.
2. By means of a socket wrench 1,5 mm, slightly loosen the locking screw (B), then carefully turn the cam disk (A) to the left or to the right.
3. Tighten the locking screw (B).
4. Open the door leaf by about 45° and then let it be closed. Check whether the door leaf is correctly pushed into the door lock.
5. Snap the service cover (C) into the gearbox housing.



- |   |   |               |
|---|---|---------------|
| ❶ | Sliding rods pulling function / Lintel mounting | Angle smaller |
|   | Normal rods pushing function / Lintel mounting  | Angle bigger  |
|   | Sliding rods pushing function / Lintel mounting | Angle bigger  |
| ❷ | Sliding rods pulling function / Lintel mounting | Angle bigger  |
|   | Normal rods pushing function / Lintel mounting  | Angle smaller |
|   | Sliding rods pushing function / Lintel mounting | Angle smaller |

## 4.8 Mechanical closing sequence regulator



Attention:

For any bi-parting fire protection door, it is compulsory to mount the integrated closing sequence regulator ECO SRI (0548-172), homologated by the "Deutsche Institut für Bautechnik" Berlin (DIBt).

For any bi-parting door with escape way function, a driver flap (supplied by customer) must be provided, unless this function is guaranteed by the locking system.

In the MANUAL mode, in the event of a mains failure or a fire alarm:

If the delayed wing is the first one to be pushed open, the driver flap opens the earlier wing sufficiently so that it is caught by the bar of the closing sequence regulator, which guarantees that the correct closing sequence is respected.

### Procedure:

1. The installation is carried out according to the assembly instructions included in the packing.

## 5 ELECTRICAL CONNECTIONS

### 5.1 Power supply



**Warning:**

Before working on the drive mechanism, make sure that the mains cable is voltage-free! The mains supply line including mains plug (with respective protection) has to be provided by customers.

The mains supply cable 230 VAC must imperatively be routed below the chassis profile, whereas the cables of the control and safety elements can be routed within the drive mechanism.

**Procedure:**

1. If required: break out the pre-perforated flap on the side cover.  
Depending on the assembly situation, it may be advisable to install the program selector on the opposite side.
2. Drill a hole  $\varnothing 3,5$  mm for the red LED into one of the two side covers and push the LED into the hole.

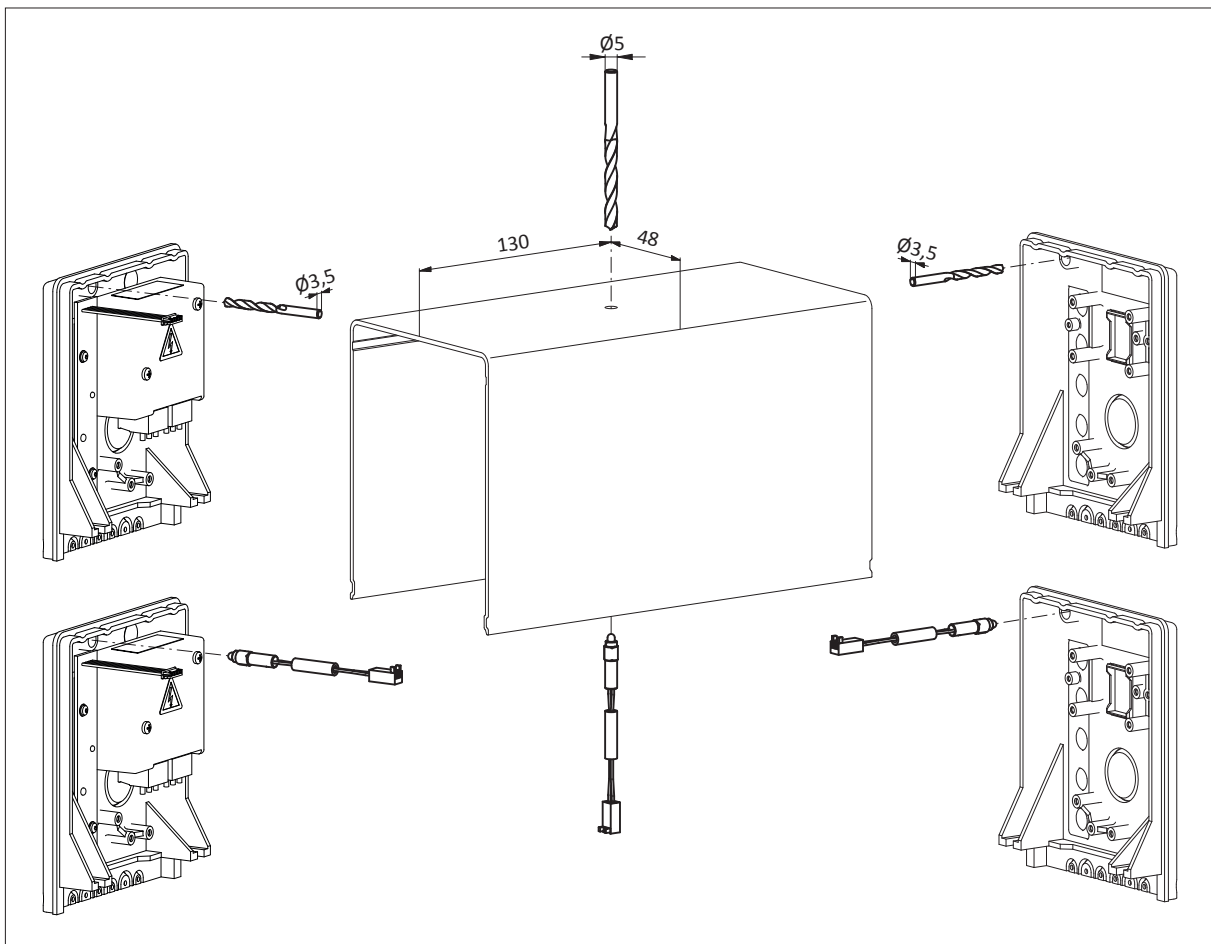


**Note:**

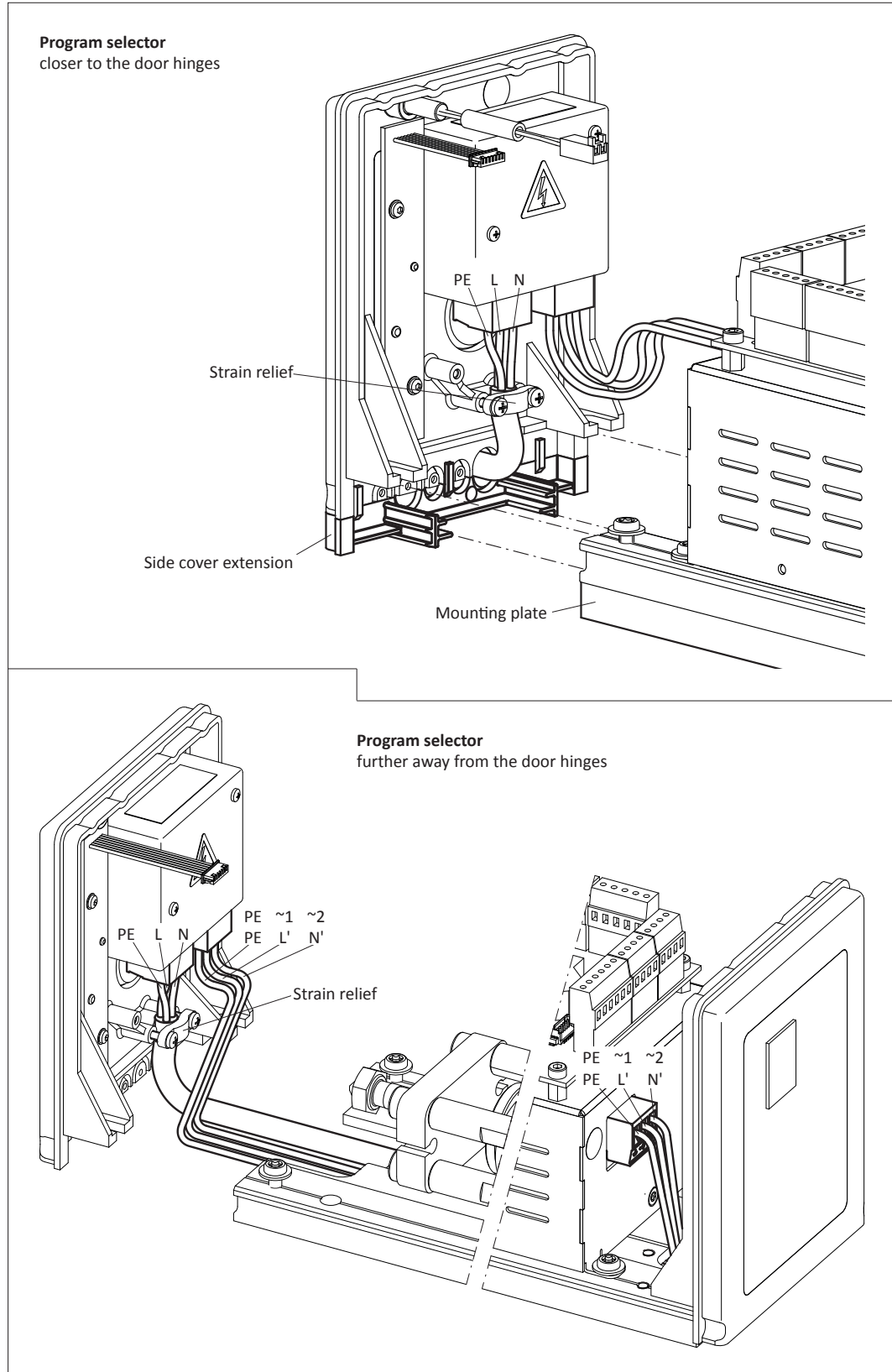
A fire alarm is displayed by the red LED in the side cover.

This red LED must always be visible!

If required, it is also possible to drill a  $\varnothing 5$  mm hole into the front side of the drive covering.

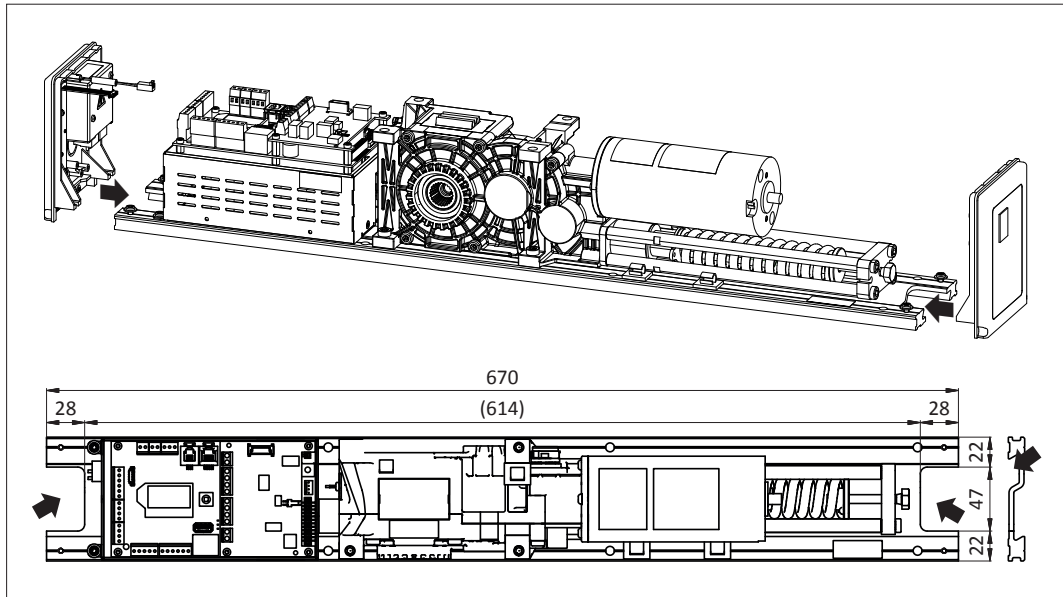


3. Connect the mains supply cable as illustrated (see also wiring diagram E4-0141-713 in the appendix).
4. Mount the side cover extensions.
5. Mount the side covers.



## 5.2 Cable layout

### 5.2.1 Lintel mounting



### 5.3 Fire protection PCB

The fire protection PCB (red) provides the following connections:

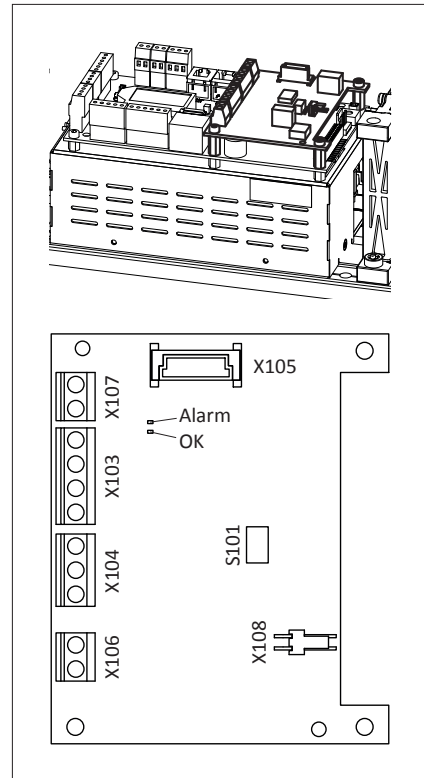
- X103 Manul triggering (for manual alarm)  
Reset button (for acknowledging the alarm)
- X104 Fire detectors (max. 3 pcs mounted in series)
- X105 Optional connector (for connecting of one additional optional PCB)
- X106 External fire alarm central (configurable by means of DIP-Switch France S101 = function: fire alarm central, passive or active)
- X107 Alarm signaling (24 V output)
- X108 Plug for LED fire alarm central (in the side cover)

The connection between the triggering elements and the ETS 64-R is monitored (wire rupture and short-circuit). To this effect, a terminating impedance of 8,2 kOhm must be inserted at the extremity of each connection line (already existing).



Note:

In the event of bi-parting installations, both drive mechanisms need to be equipped with a fire protection PCB.



#### Installation:

The ETS 64-R is compatible with passives or actives fire alarm centrals. The settings described hereafter must only be carried out on the fire protection PCB which has been connected to the central fire alarm system.

##### Passive fire alarm central

The input of the fire alarm PCB is wired to a break contact with terminating resistor. In this case, the DIP switch is set to the position "passive" = "OFF" (factory setting) and the fire alarm central is connected to the terminal block X106 (instead of the resistor). It is important to make sure that the line has a total resistance of 8,2 kΩ.

##### Active fire alarm central

The input of the fire alarm PCB is supplied with 24 V or 48 V (e.g. in France). In this case the DIP switch is set to the position "active" = "ON" and the central fire alarm system is connected to the terminal block X106 (instead of the resistor).

In the event of bi-parting installations, the fire protection elements can either be connected to the fire protection PCB of the drive mechanism of the earlier leaf (Master) or to the one of the drive mechanism of the delayed leaf (Slave).

#### Commissioning:

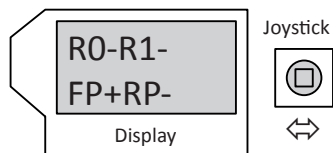
The fire protection PCB is automatically identified and memorized.  
The commissioning procedure is carried out as described in chapter 6.

**Diagnostics:**

The identified fire protection PCB is displayed as follows in the diagnostic menu:

R0 Relay PCB with DIP switch on position Addr0  
 R1 Relay PCB with DIP switch on position Addr1  
 FP Fire protection PCB  
 RP Radio PCB

+ identified and ready for operation  
 - neither identified nor registered  
 e defective or error  
 x removed

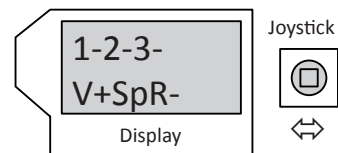


1 Fire alarm central  
 2 Manual triggering  
 3 Smoke detector/Thermal switch  
 - no response  
 + Short-circuit  
 e Wire rupture

V Feeding 24 V  
 + OK  
 e Error

S DIP-Switch  
 a active  
 p passive

R Acknowledgement  
 - not confirmed  
 + confirmed

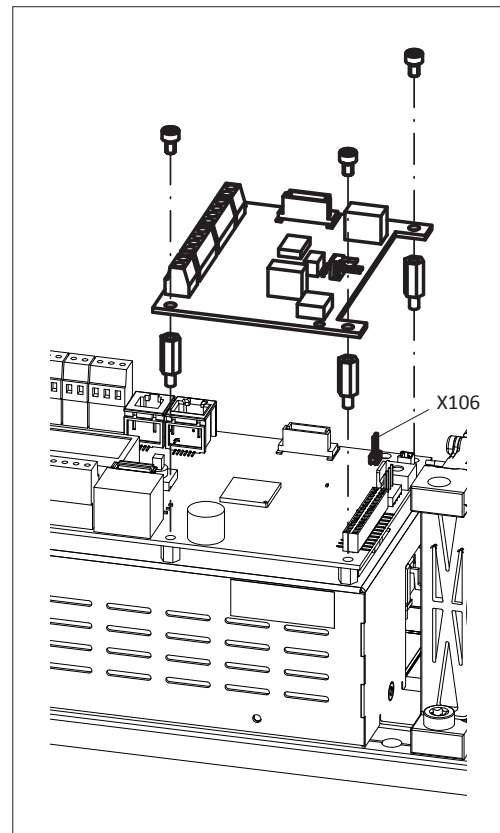
**Remove the fire protection PCB:**

All the PCBs are plugged into the control unit via a universal connector. A maximum number of two PCBs can be combined.



**Attention:**  
 All the PCBs must only be plugged into/removed from the control unit after the dive unit has been disconnected from the power supply source!

1. Switch-off the main installation switch on the drive mechanism.
2. Remove the fire protection PCB.
3. Attach jumper onto the two pins X106.
4. Switch-on the main installation switch on the drive mechanism.  
Display E60/30
5. Select menu:  
Diagnostics  
FPx
6. In the rest position, press in the joystick:  
Reset OK? ⇔ The fire protection PCB is deleted from the configuration.





## 5.4 External elements

1. Mount all the required control and safety elements at their respective place.
2. Lead the cables of the elements up to the drive mechanism (by customers).
3. Connect the cables according to the diagram E4-0141-713\_ECO (in the appendix).



**Note:**

If an electric lock is provided, its connection rating is 24 VDC and max. 0,8 A (or 24 VAC/1,5 A by customers). It should be designed for a duty cycle of 100 %. The electric lock locks the door leaf in the desired operating modes and is configurable.



**Attention:**

For the Inverse application it is compulsory to use an electric lock or a holding magnet which maintains the door leaf in the closed position and must answer the following requirements:

- tested and homologated for escape and rescue ways
- opening also under preload (load-independent unlocking without jamming)
- 24 VDC / 100 % duty cycle
- opening without mains power (normally open)

The starting delay TDelay must be  $> 0$  s and the relieving force during unlocking FDelay must be adjusted in accordance.

Electric lock or holding magnet must be connected in reverse order in comparison to the standard drive mechanism (see wiring diagram E4-0141-713\_ECO in the appendix).

## 5.5 Motorized lock

The swing door drive mechanism and its control unit are always configured as Master. All the commands are transmitted to this control unit. The latter then unlocks/locks the motorized lock.



Attention:

The motorized lock must be homologated together with the fire safety profile system!

### Functional performance:

Opening command	
↓	Impulse and permanent command transmitted to motorised lock (CONFIG Unlock: IMPULS or PERMAN)
Locking latch opens	
↓	Starting delay TDelay to be set between 0,0...4,0 s or a feedback can be connected on terminal 32
Drive unit opens	
↓	Hold-open time expires
Drive unit closes	
↓	
Motorised lock locks	provided that no command for the motorized lock is pending (to be set under CONFIG Unlock = PERMAN, operating modes Automatic, Exit, Manual)



Note:

The following lists of motorized locks are not necessarily exhaustive. Please take into account the modifications communicated by the motorized lock manufacturers! Also see wiring diagram E4-0142-180\_ECO in the appendix.

### 5.5.1 Motorised lock with direct connection to motor coil

Some motorized locks can be directly controlled from the control unit of the swing door drive mechanism (direct connection of motor coil). In order to enable this configuration, the motorized lock must fulfill the following requirements:

- 24 VDC / max. 1,5 A
- Possibility to connect a release signal directly on the motorized lock.

Designations	Terminals				Remarks
Swing door drive mechanism	1 24 VDC	30 EL-NO	28 GND	32 EL-Fb	-
FlipLock drive	1	3	2	5	CONFIG EL-Fb = N.C. PARAMETER TDelay = 0

## 5.5.2 Motorized lock with own evaluation control

The motorized lock is equipped with an own evaluation control (either integrated or external). The swing door drive mechanism is configured as the Master unit and transmits a voltage free impulse for control unit of the motorized lock for relasing the latter. The electric power is supplied directly via the swing door drive mechanism (i.e. the motorized lock does not require its own power pack).



Note:

Remove the jumper between terminals 28 and 29 on the control PCB of the swing door drive mechanism.

Designations	Terminals						Remarks
Swing door drive mechanism	1 24 VDC	3 GND	29 EL-COM	30 EL-NO	28 GND	32 EL-Fb	-
G-U BKS B 1956/1959	13	14	-	9	5	6	CONFIG EL-Fb = N.C. For obtaining a motorized daily release, the seal as well as the board immediately behind it must be pierced and the lock must be restarted. <b>Attention:</b> Daily release is not allowed for fire safety doors! Connect terminals 1 and 29 on the swing door drive mechanism.
G-U/BKS Security Automatic	1 brown	2 grey	-	3 black	-	-	Connect terminals 1 and 29 on the swing door drive mechanism. With fire safety doors, it is compulsora to use an external power supply.
Effeff 509X/529X with control unit 509XSTRG (EA420) or Abloy EL520 with control unit 509XSTRG (EA421)	1	2 / 12	18	16	-	13	CONFIG EL-Fb = N.O.
Schüco motor unit for Safe-Matic and InterLock	white	brown	-	green	-	-	Connect terminals 1 and 29 to swing on the swing door drive mechanism.
Dorma SVP 2000 with control unit SVP-S 2x (LON)	X5 / 1	X5 / 3	X3 / ⊥	X3 / IN1	X8 / C	X8 / NO	CONFIG EL-Fb = N.O. PARAMETER TDelay = 0 <b>Attention:</b> For fire safety doors, it is compulsory to use module SVP-PR12!
Dorma M-SVP 2000 DCW Dorma M-SVP 2200 DCW Control unit SVP-S3x DCW	X1 / 1	X1 / 3	X5 / 3	X5 / 28	X8 / 34	X8 / 33	CONFIG EL-Fb = N.C. PARAMETER TDelay = 0

### 5.5.3 Motorized lock with separate evaluation control/power pack

The motorized lock is equipped with a separate evaluation control and a separate power pack ensuring the power supply. The swing door drive mechanism is configured as the Master and transmits a voltage free impulse to the control unit of the motorized lock for releasing the latter.



Note:

Remove the jumper between terminals 28 and 29 on the control PCB of the swing door drive mechanism.

Designations	Terminals						Remarks
	1 24 VDC	3 GND	29 EL-COM	30 EL-NO	28 GND	32 EL-Fb	
Swing door drive mechanism	-	-	X8 / 5	X8 / 6	X1 / 36	X1 / 37	-
MTSFlip Lock access Control unit (AWS) 1.1	-	-	X6 / 2	X6 / 5	X3 / 20	X3 / 21	CONFIG PARAMETER EL-Fb = N.C. TDelay = 0
MTS anti-panic lock M-9300 with control unit (KABA x-lock)	-	-	9	10	3	4	CONFIG PARAMETER EL-Fb = N.C. TDelay = 0
Fuhr autotronic 834 Fuhr autotronic 834P (anti-panic function for fire safety doors) Fuhr multitronic 881 Fuhr multitronic 881GL with control housing, top hat rail control or control box	-	-	9	10	3	4	CONFIG PARAMETER EL-Fb = N.C. TDelay = 0
Dorma M-SVP 3000 with control unit	-	-	9	10	3	4	CONFIG PARAMETER EL-Fb = N.C. TDelay = 0
effeff Multiple motor locking 519 with control module UII and power pack 1003-24-4-10 (24 V/4 A)	-	-	7	15c	29	28	CONFIG EL-Fb = N.C. Control module UII <b>Attention:</b> With fire-rated doors, it is mandatory to use the fire-protection module 519ZBFS!
G-U Master Slave B-1893x / B-1993x with control unit B-54900- 01-3-9 and power pack B 5570 0401	- -	- -	+24V V2	I1 I2	42 42	52 52	CONFIG PARAMETER EL-Fb = N.C. TDelay = 0 <b>Attention:</b> With fire-rated doors, it is mandatory to use the emergency standby power system B-54903-23- 3-9!

## 6 COMMISSIONING



### Warning:

During the setting-up procedure (which must only be carried out by experts), the safety devices (radar, sensors, ...) are switched off!

Before initiating the setting-up procedure, it is important to make sure that neither persons nor objects remain within the danger area of the moving door leaf, in order to avoid injuries or damages!

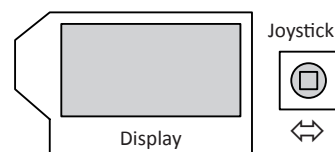


### Attention:

Make sure that the motor connector plug has been correctly plugged into the control unit (see chapter 4.1 and 4.2).

### Procedure:

1. Switch on the mains supply switch on the side cover (power-up).
2. Acknowledge the fire alarm (either by means of a connected button or by pressing and holding for a certain time a program key in the side cover).
3. Using the joystick, adjust the display direction: Move the joystick downward once  $\Rightarrow$  the display direction is switched to a readable position.
4. Programming the type of rod assembly Rod: Move the joystick to the left/to the right (see parameter chapter 7.4).  
Validate the correct type of rod assembly by means of OK: In the rest position, shortly push in the joystick.
5. Adjust the distance dAxis (distance in cm between the rotation axis of the door hinges and the mounting level of the drive mechanism  $\Rightarrow$  see illustration below).



Press  
Down

Rod  
STD-PH

dAxis  
5cm



### Note:

dAxis is an approximate value. Depending on the installation situation, dAxis may have to be adapted.

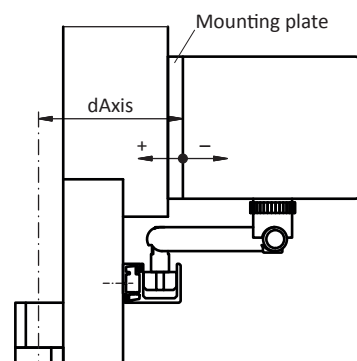
6. Adjust the opening angle Ao and validate by means of OK.







### Attention:

The steps 5 and 6 are influenced by the installation measures/distance between the door hinges.

Ao  
95°



- |  |  |
|--|--|
| <p>7. Adjust the opening speed <math>V_o</math> and validate by means of OK.</p>   | <div style="border: 1px solid black; padding: 5px; width: fit-content; margin: 0 auto;"> <math>V_o</math><br/>6         </div>   |
| <p>8. Adjust the closing speed <math>V_c</math> and validate by means of OK.</p>   | <div style="border: 1px solid black; padding: 5px; width: fit-content; margin: 0 auto;"> <math>V_c</math><br/>4         </div>   |
| <p>9. If desired:<br/>           Program the inverse application (spring-powered opening) and validate it by pressing OK.<br/>           If you have selected inverse application:<br/>           Set the locking pressure <math>F_{ch}</math> and confirm with OK. This is required if, at the time of commissioning, there is (yet) no electric lock or holding magnet.<br/>           Set the closing force <math>FTic</math> and confirm with OK. Limits the closing force during the Search run (evaluation of the Closed position prior to the first Teach run). <math>FTic</math> needs to be reduced or increased, depending on the condition of the door leaf/door frame.</p> | <div style="border: 1px solid black; padding: 5px; width: fit-content; margin: 0 auto;">           Invers<br/>OFF         </div> <div style="border: 1px solid black; padding: 5px; width: fit-content; margin: 0 auto;"> <math>F_{ch}</math> </div> <div style="border: 1px solid black; padding: 5px; width: fit-content; margin: 0 auto;"> <math>FTic</math> </div> |
| <p>10. Adjust the setting-up procedure (Teach) and validate by means of OK.</p>  | <div style="border: 1px solid black; padding: 5px; width: fit-content; margin: 0 auto;">           Teach         </div>  |
| <p>11. Start the setting-up procedure (Teach): validate by means of OK.</p>  | <div style="border: 1px solid black; padding: 5px; width: fit-content; margin: 0 auto;">           Teach<br/>ok?         </div>  |
| <p> Note:<br/>           Prior to a "Teach" procedure, make sure that the fire alarm has been reset.</p>   | <div style="border: 1px solid black; padding: 5px; width: fit-content; margin: 0 auto;">           Teach1<br/>x E10         </div> <div style="border: 1px solid black; padding: 5px; width: fit-content; margin: 0 auto;">           Teach2<br/>x E10         </div>  |
| <p>12. Upon expiry of 10 seconds the setting-up procedure (Teach) is automatically initiated (or immediately by means of moving the joystick <math>\leftarrow \uparrow \rightarrow \downarrow</math> without OK). During the setting-up procedure the drive mechanism continues to beep. The following learning run is carried out:</p> <ul style="list-style-type: none"> <li>• Inverse: First the system searches for the closed position by moving at super-slow speed (Search)</li> <li>• Super-slow speed opening direction</li> <li>• Super-slow speed closing direction.</li> </ul>   | <div style="border: 1px solid black; padding: 5px; width: fit-content; margin: 0 auto;">           Done !<br/>x E11         </div>   |
| <p>13. Upon completion of the learning run the following message is displayed:</p>   | <div style="border: 1px solid black; padding: 5px; width: fit-content; margin: 0 auto;">           &gt;##&lt;<br/> E11         </div>   |
| <p>14. The display should now supply the following information:<br/>           E11 indicates that the setting-up procedure (Teach) is not yet completed.</p>   | <div style="border: 1px solid black; padding: 5px; width: fit-content; margin: 0 auto;">           &gt;##&lt;<br/> E11         </div>   |
| <p>15. By giving an opening command, open the door leaf and let it be closed again. The door leaf will open and close at normal speed (without obstacle detection feature).<br/>           Note:<br/>           The door leaf must not be obstructed!<br/>           Now the display should provide the following information:<br/>           The setting-up procedure (Teach) is now completed.</p>   | <div style="border: 1px solid black; padding: 5px; width: fit-content; margin: 0 auto;">           &gt;##&lt;<br/> </div>   |



Note:

A renewed setting-up procedure (Teach) is required if:

- the spring tension has been changed
- the leaf weight has been changed
- the type of rod assembly has been changed
- the opening angle  $A_o$  has been changed
- the Teach has been obstructed before reaching an opening angle of  $20^\circ$
- the distance between axles ( $d_{Axis}$ ) has been changed
- the parameter *Invers* has been changed.

Additional parameter and menu navigation ⇨ see chapter 7.4.

## 6.1 Inverse application



Attention:

The starting delay  $T_{Delay}$  must be  $> 0$  s and the relieving force during unlocking  $F_{Delay}$  must be adjusted in accordance.

### Software configuration:

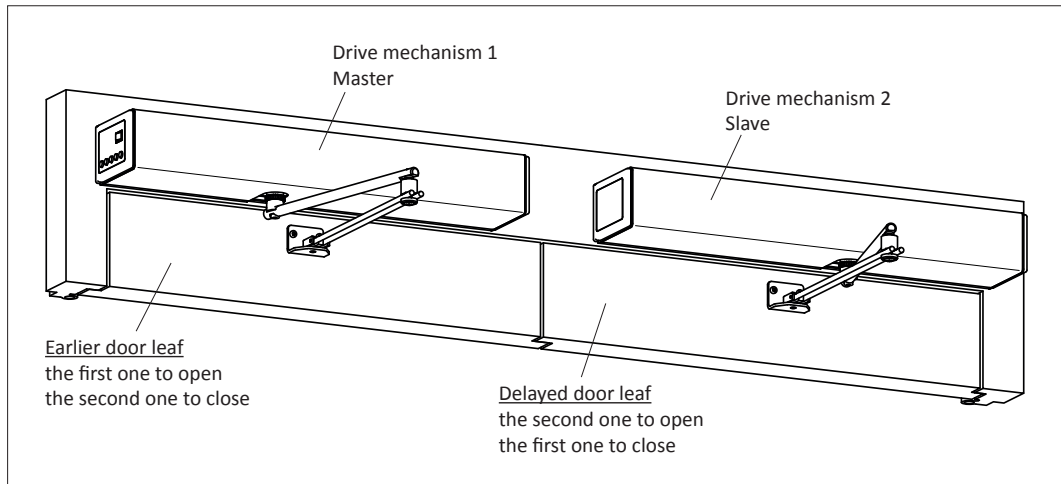
- Activate the parameter *Inverse*.  
Attention: the motor connector must not be plugged in the same manner as for the standard drive mechanism.
- The electric lock must be unlocked without mains power or powered by an external source.
- For installations without an electric lock, the interlocking force  $F_{ch}$  must be programmed.
- If there is no electric lock and the interlocking force  $F_{ch}$  is not adjusted, error 14/02 will be displayed as a warning after the teach-in procedure. This means that the door leaf will endlessly re-open.

### Starting-up and teaching:

- The door leaf is closed at super-slow speed. The safety sensory system is active (except during the teach-in procedure).
- Start the teach-in from the open position: This ensures the teach-in of the necessary current for the possible angle between the mechanical open stop piece and the programmed open position  $A_o$ .
- Closing sequence control: During start-up and teach-in the door leaves are synchronized (in order to avoid a possible collision). The installation is only ready for operation as soon as both door leaves are closed respectively after the teach-in procedure has been completed.

## 6.2 Closing sequence control

For bi-parting installations, the closing sequence control determines the order in which the door leaves are opened and closed. For the opening procedure, the earlier door leaf (Master leaf) is the first one to be opened, whereas for the closing procedure the delayed door leaf (Slave leaf) is the first one to be closed. This sequence ensures a correct overlapping of the door leaves.



### Connections:

Opening elements (KE, OEO and OEI) connected to Master only act upon the Master (single leaf operation). Opening elements connected to Slave act upon the Master as well as on the Slave (bi-parting operation).

The safety elements SER and SES are connected to the respective drive mechanism.

An active EMCY element connected to the Master carries out the EMY-IN action configured on the Master (for both door leaves). An active EMCY element connected to the Slave switches the latter to the spring-powered operation.

An electric lock, which locks the Master leaf, is connected to the Master. Accordingly, an electric lock, which locks the Slave leaf, is connected on the Slave.



**Function:**

The first door leaf to be put in motion for the opening procedure is the Master; by means of DupleD, this leaf is configured as MastrA. Its partner is the Slave, which is configured as SlaveA by means of DupleD.

In the event of an existing CAN connection, the Master is identified by a small black (m) and the Slave by a small black (s). If however there is no connection, this is indicated by a small white (m) respectively a small white (s).

The parameter settings for the Master and the Slaves are entirely independent from each other. It is thus possible to select a  $V_o = 4$  for the Master and a  $V_o = 5$  for the Slave.

In order to guarantee a collision-free opening of both door leaves, the Slave leaf lets the Master leaf go ahead and initiate the opening. This time lag can be defined on the Slave by means of AoSeq. The default value of AoSeq is  $20^\circ$ , which is sufficient for most of the bi-parting installations. This means that the Slave only starts to open after the Master has exceeded an opening angle of  $20^\circ$ .

From then on, it is admissible for the Slave to catch up with and pass the Master if this should be required. This is done by configuring a higher  $V_o$  value for the Slave than the one for the Master. In cases where (due to an electric lock connected to the Master) TDelay of the Master is configured with a higher value than 0,0 s, then the angle between the Slave and the Master is accordingly increased. To compensate this, AoSeq can be reduced in accordance.

An AoSeq value of  $0^\circ$  means that both door leaves will be simultaneously opened, i.e. that no opening delay is active.

The default value of AcSeq is  $20^\circ$  and thus sufficient for the majority of bi-parting installations. In cases where a mechanical closing sequence regulator is used with a mechanical closing delay of e.g.  $90^\circ$ , AcSeq must be programmed with a value of  $90^\circ$  or more.

AcSeq  $20^\circ$  means: The Master only starts closing as soon as the Slave has gained a lead of  $20^\circ$ . This advance guarantees that the Master will be closed in one go (without intermittence), which results in an optically pleasing closing motion.

The Master is allowed to overtake the Slave.  $20^\circ$  (value AcSeq) before reaching the closed position, the Master checks whether the Slave is already closed. If not, the Master will perform an intermediate stop in order to prevent a collision.

An active SES signal on a door leaf causes a safety stop of both door leaves. The same applies for the SER signal. An active SER signal causes both door leaves to reverse their motion.

A bi-parting installation can be operated in the single-leaf mode. An active EMCY signal on the Slave programs the closing sequence as a single-leaf configuration.

If only the EMCY signal on the Master is active, then this EMCY signal is applicable for both door leaves. In accordance with the action configured on the Master by means of EMY-IN, both door leaves carry out a CL-SPR (Close Spring), STOP, OPEN or CL-MOT (Close Motor).

If only the EMCY signal on the Slave is active, then the Slave carries out a CL-SPR, regardless of the action configured on the Slave by means of EMY-IN.

If both EMCY signals are active, then the Master performs its configured EMY-IN action and the Slave performs a CL-SPR. One exception of this rule is the Master in the EMY-IN configuration OPEN. In this case, both door leaves will be opened.

**Procedure:**

1. Connect both control units by means of the CAN cable 0383-194/07 (by plugging it into the socket X117).

**Note:**

The respective control and safety elements are connected to the corresponding drive mechanism.

2. Take the Master drive mechanism into operation (see chapter 6).
3. For the Master drive mechanism: Select the operating mode OPEN.
4. Take the Slave drive mechanism into operation (see chapter 6).
5. Configuration of the Master drive mechanism:
  - DupleD = MastA
  - AcSeq = desired time lag of the closing angle.

**Note:**

In cases where a mechanical closing sequence regulator is used, start with a AcSeq of 90°; afterwards AcSeq can be reduced.

6. Configuration of the Slave drive mechanism:
  - DupleD = SlaveA
  - AoSeq = desired time lag of the opening angle.

**Control:**

1. Check the display of the Master control unit to see if a small black (m) is visible on the first level (connection existing). On the display of the Slave control unit, a small black (s) must be visible.

**Note:**

A small white (m) resp. (s) indicates: missing connection.

2. Transmit a Key command to the Slave drive mechanism:
  - The Master-drive mechanism is the first one to open, followed by the Slave drive mechanism (which is delayed by the value of the opening angle).
  - In the open position the hold-open time expires on the display of the Slave control unit.
  - The Slave drive mechanism is the first one to close, followed by the Master drive mechanism which is delayed by the value of the closing angle).

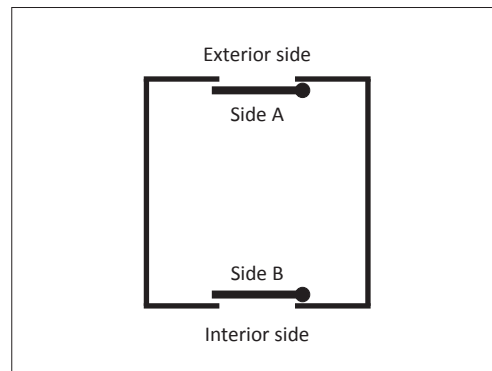
## 6.3 Interlock operation

### Procedure:



Note:  
Both installations must be plugged into resp. out of the same power supply.

1. Connect both control units by means of the CAN cable (by plugging it into the socket X117).
2. Normal commissioning of both drive mechanisms.
3. Configuration of the drive mechanism for the exterior door (A):
  - InterL = SideA
4. Configuration of the drive mechanism for the interior door (B):
  - InterL = SideB



### Control:

1. Check the display of the Master control unit to see if a small black (w) is visible on the first level (connection existing).



Note:  
A small white (w) indicates: Missing connection.

2. Transmit a Key command to the exterior door (A):
  - On the display a big black (W) appears (door is not closed).
  - While the exterior door (A) is open, transmit a Key command to the interior door (B) (the latter must not be opened).
3. Transmit a Key command to the interior door (B):
  - On the display a big black (W) appears (door is not closed).
  - While the interior door (B) is in the open position, transmit a Key command to the exterior (A) (the latter must not be opened).

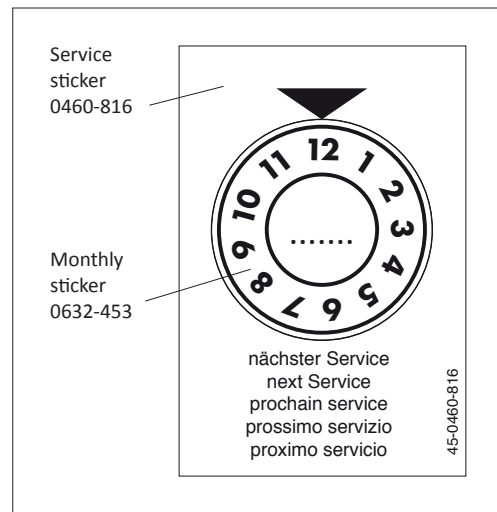


Note:  
The parameters ILAuto, ILExit and ILNigt enable you to configure the operating modes in which the interlock system shall be active.

## 6.4 Adhesive labels

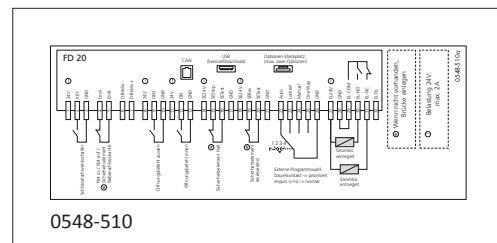
### 6.4.1 Service sticker

1. Attach the service sticker (outside) onto the degreased surface of the drive mechanism covering, at a place that is easily visible for the customer.
2. Stick the monthly sticker onto the service sticker, turning the monthly sticker until the checking date matches the arrow.
3. Using a water-proof felt tip pen, enter the year of the next checkup on the monthly sticker.



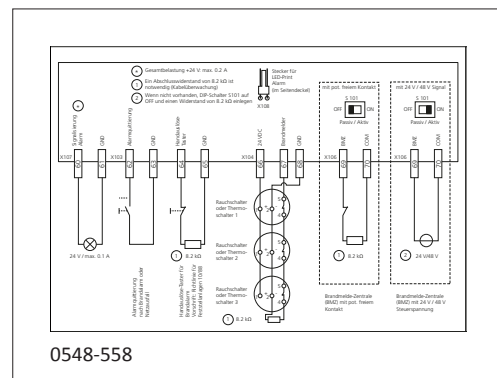
### 6.4.2 Diagram sticker

1. After cleaning and degreasing the gluing surface, attach the diagram sticker (in the respective language) to the inside of the covering.



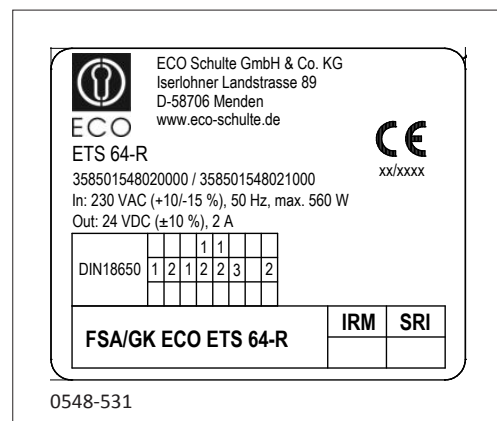
### 6.4.3 Fire protection sticker

1. After cleaning and degreasing the gluing surface, attach the fire protection sticker (in the respective language) to the inside of the covering.



### 6.4.4 Rating plate

1. Using a permanent marker, tick off the existing elements on the rating plate:  
 IRM Integrated smoke detector  
 SRI Integrated closing sequence regulator



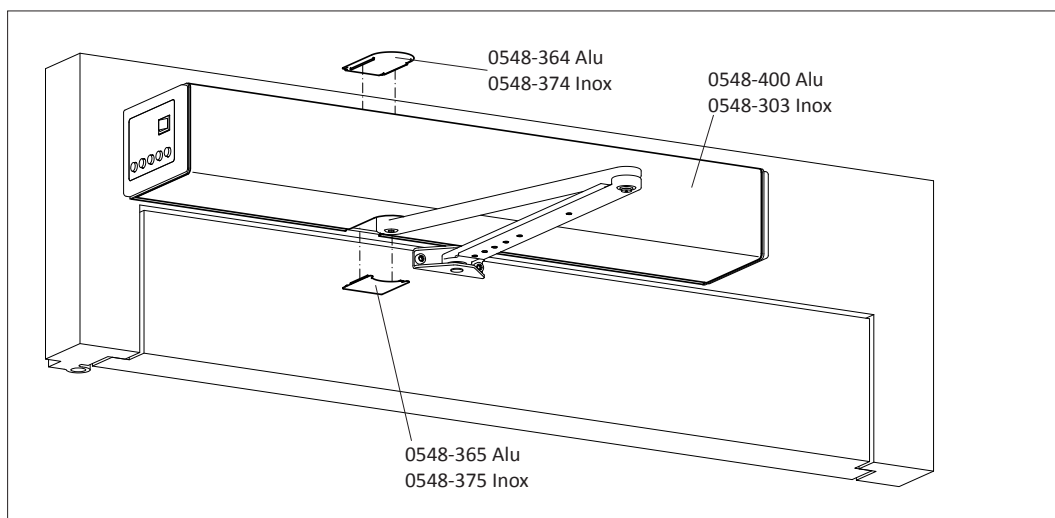
## 6.5 Mount the drive mechanism covering

### Material:

1	Covering	0548-400	Aluminium
1	Covering accessories	0548-143	Aluminium
or			
1	Covering	0548-303	Stainless steel
1	Covering accessories	0548-115	Stainless steel

### Procedure:

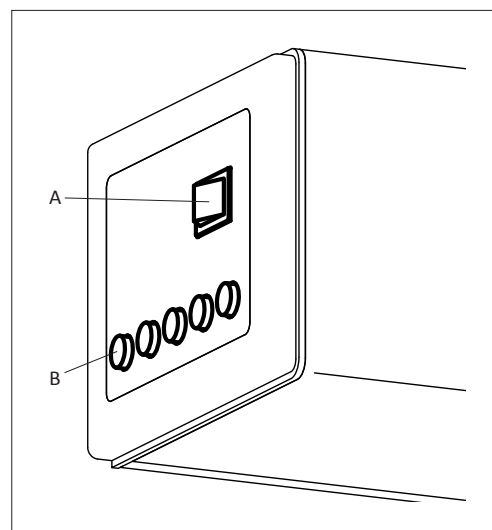
1. Mount the covering and the accessories as shown in the illustration.



## 7 CONTROL

### 7.1 Main switch

The drive mechanism is supplied with a built-in main switch (A). This main installation switch enables you to disconnect the power supply from the drive mechanism. The door leaf then is closed from any position by means of spring power (Invers = spring opening, unless the door leaf has not been locked). The motor attenuation ensures a controlled closing (Invers = opening).



### 7.2 Program selector

The drive mechanism is supplied with a built-in program selector (B), which allows enabling the operating modes AUTOMATIC, NIGHT, OPEN, MANUAL and EXIT. The presently enabled operating mode is identified by the illuminated key.



Note:

In the event of a pending fatal error, alle the keys shortly flash up. In the event of a fire alarm, the red LED in the other side cover lights up.

Acknowledge the fire alarm (either by means of a connected button or by pressing and holding for a certain time a program key in the side cover). In the event of bi-parting installations, this alarm must be reset for both drive mechanisms.

#### Key lock (3 versions)

#### 1 Fix

One particular program setting has been predefined by default. This setting can only be overridden by an external program switch or a timer.

#### 2 Toggle

##### Locking:

Press the activ program key during at least 5 seconds. The locking is signaled by a short blip.

##### Unlocking:

Press the activ program key during at least 5 seconds. The deactivation is signaled by two short blips.

#### 3 Time

##### Locking:







If the program keys have been activated within a period of 5 minutes, the are automatically locked.

##### Unlocking:

Press the active program key during at least 5 seconds. The deactivation is signaled by two short blips.

## 7.3 Operating modes

The following operating modes can be enabled by means of the program selector:

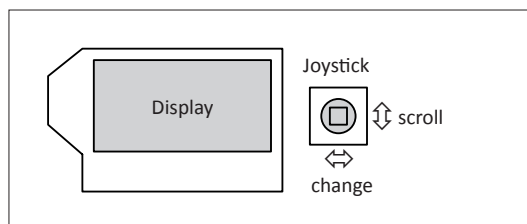
	<p><b>AUTOMATIC</b> Automatic opening via the opening elements inside/outside + Key. Automatic closing upon expiration of the adjustable hold-open time.</p>
	<p><b>NIGHT</b> The door leaf can only be opened via the opening element Key (key-operated switch outside).</p>
	<p><b>OPEN</b> The door leaf is automatically opened and remains in the OPEN position.</p>
	<p><b>MANUAL</b> The drive mechanism and the control elements are switched off. The door leaf can be manually opened. The door leaf is closed by spring power from any position (Invers = spring opening, unless the door leaf has not been locked).</p>
	<p><b>EXIT</b> The door leaf can only be opened via the opening elements inside and Key.</p>
	<p>Setting-up procedure (Teach) Completely close the door leaf (Invers = open). Hold the keys MANUAL and EXIT simultaneously depressed (during at least 5 seconds). All the pending errors will be deleted and a setting-up procedure (Teach) is carried out.</p>

## 7.4 Adjustings

The parameters can be changed on the control unit by means of the display and the joystick.

The movements of the joystick have the following effects:

- Vertical joystick movement (upward/downward) ⇒ Scroll through the displayed information.
- Horizontal joystick movement (to the left/to the right) ⇒ Change the settings.
- Shortly press in the joystick in the rest position ⇒ Validation OK.

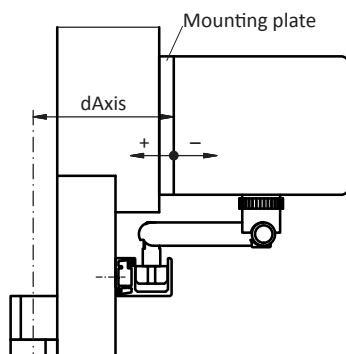




### 7.4.1 Motional parameters (PARAMETER)

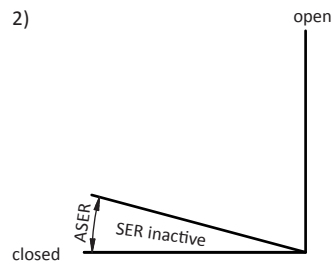
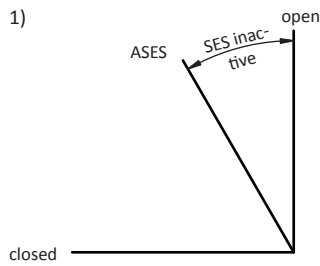
Parameter	Description	Setting range	Default	
Vo	Opening speed (velocity open)	0..14 (5...50°/s)	6	
Vc	Closing speed (velocity close)	0..14 (5...50°/s)	4	
TOEx	Hold-open time opening element inside/outside (time hold opening element inside/outside)	0...60 s	3 s	
TKey	Hold-open time Key (time hold opening element Key)	0...180 s	5 s	
TDelay	Starting delay (time delay lock)	0,0...4,0 s	0,2 s	
FDelay	Relieving force during unlocking (force delay), only effective if TDelay is > 0	0,0...7,0 A	OFF	
TLock	Door rectification time (time press close)	0,0...4,0 s	0,5 s	
FLock	Pressing force during locking (force lock), only effective if TLock is > 0	0,0...7,0 A	2,0 A	
FSlam	Accelerating function (force slam)	0...10	OFF	
FWind	Obstacle detection optimized for exterior doors (force wind)	OFF OPEN CLOSE BOTH	OFF	
Fo	Opening force (force open)	0...9	4	
Fc	Closing force (force close)	0...9	4	
Foh	Hold-open force (force open hold)	0...9	0	
Fch	Interlocking force (force close hold) ⇒ automatically programs FLock and FDelay if these are 0	0,0...3,5 A	0	
Ao	Opening angle of the door (angle open) If the opening angle is changed during the operating mode OPEN, the operating mode MANUAL needs to be selected for closing the door.	20...(190°) Rod dep.	95° *	
Rod	Type of rod assembly (Rod)	Normal rods pushing fonction Sliding rods pulling fonction Sliding rods pushing fonction Wing mounting without rods pushing fonction without rods pushing fonction without rods pulling fonction	STD-PH SLI-PL SLI-PH WIN-PH DIR-PH DIR-PL	STD-PH *
Invers	Inverse application In the event of a power failure/error, the door leaf is opened by spring power from any position (unless it has not been locked). The position of the motor connector is reversed with regard to the standard drive mechanism. The electric lock/holding magnet must be connected in reverse order in comparison to the standard drive mechanism (see wiring diagram E4-0141-713_ECO).	OFF ON	OFF *	
dAxis	Distance between rotation axis of the door hinges and the mounting level of the drive mechanism (distance Axis). dAxis is an approximate value. Depending on the installation situation, dAxis may have to be adapted.	-8...+25 cm Rod depending	0/+8 cm Rod dep. *	
Fos	Limitation of the opening force Must not be increased in Germany!	5...14 A	5 A	
FTic	Closing force in closed position before Teach (only visible if Inverse is ON).	5...14 A	5 A	

\* Note:  
A renewed setting-up procedure (Teach) is required.



## 7.4.2 Configuration (CONFIG)

Parameter	Description	Setting range	Default
APuGo	Triggering angle Push&Go (angle push&go)	OFF, 2...10°	OFF
ASES	1) Suppression point Safety Element stop (angle safety element stop). If Ao is changed, ASES is automatically set to Ao.	45°...Ao	95° Ao depending (95°)
ASER	2) Suppression range of the safety element reversing (angle safety element reversing)	0...60°	0°
SeOpCo	Persistent opening (safety element open continue) After a Safety Element Stop during the opening procedure, the door shall continue its opening move (instead of closing), as soon as SES is activated.	OFF ON	OFF
SeOpTi	Waiting time till the drive mechanism closes even if SeOpCo = ON (safety element opening time), in the event that a fixed object blocks the door (only visible if SeOpCo = ON)	PERMAN 1...60 s	20 s
SESClo	Safety element Stop activated/deactivated during the closing motion (safety element stop closing)	ACTIVE INACTI	INACTI
EMY-IN	Configuration of the Emergency terminal (break contact) (emergency input)	CL-SPR (spring) STOP OPEN CL-MOT (motor)	CL-SPR
OExStp	Step-by-step control function (opening element step)	OFF OEI OEO KEY RADIO	OFF
FPReset	Acknowledgment of the fire alarm by the fire alarm central (only allowed in cases where the door is within sight distance of the fire alarm central)	OFF ON	OFF
RC 0.1	Parametrizable relay output 1 on optional PCB 1 (relay contact) (only visible if relay PCB 0 is plugged in)	CLOSED OPENING	CLOSED
RC 0.2	Parametrizable relay output 2 on optional PCB 1 (relay contact) (only visible if relay PCB 0 is plugged in)	OPEN CLOSING	OPEN
RC 0.3	Parametrizable relay output 3 on optional PCB 1 (relay contact) (only visible if relay PCB 0 is plugged in)	ERROR PSAUTO PSNIGHT	ERROR
RC 0.4	Parametrizable relay output 4 on optional PCB 1 (relay contact) (only visible if relay PCB 0 is plugged in)	PSEXIT PSOPEN	GONG
RC 1.1	Parametrizable relay output 1 on optional PCB 2 (relay contact) (only visible if relay PCB 1 is plugged in)	PSMANU GONG	OPENING
RC 1.2	Parametrizable relay output 2 on optional PCB 2 (relay contact) (only visible if relay PCB 1 is plugged in)	LOCKED SIX30S FP_RDY	CLOSING
RC 1.3	Parametrizable relay output 3 on optional PCB 2 (relay contact) (only visible if relay PCB 1 is plugged in)	EMY_AL	PSAUTO
RC 1.4	Parametrizable relay output 4 on optional PCB 2 (relay contact) (only visible if relay PCB 1 is plugged in)		LOCKED
Unlock	Impulse/Permanent unlocking (impulse unlock)	IMPULS PERMAN	IMPULS
EL-Fb	Return signal of the electric lock (electric lock feed back) N.O. ⇒ Contact open if in the unlocked state (-), closed if in the locked state (+) N.C. ⇒ Contact open in the locked state (+), closed in the unlocked state (-) (+) and (-) indicate the status in the diagnostic menu.	OFF N.O. N.C.	OFF
LockAU	Operating mode AUTOMATIC locked (locked automat) (only visible if Unlock = Perman)	UNLOCK LOCK	UNLOCK
LockEX	Operating mode EXIT locked (locked exit) (only visible if Unlock = Perman)	UNLOCK LOCK	LOCK
LockMA	Operating mode MANUAL locked (locked manual) (only visible if Unlock = Perman)	UNLOCK LOCK	UNLOCK
LcdDir	Orientation of the display (LCD direction)	0...1	0
MovCon	Endurance test Open/Close (moving continuous)	OFF ON-FLT ON-PRM	OFF
OExMAN	Acceptance of opening commands after a manual door opening (only if APuGo = OFF) (opening element inside/outside manual)	OFF ON	OFF
PSKize	Zero position of the program setting (operating mode); fixed program position that can only be changed by means of the terminals on the control unit (program selector key in the side cover inactive). Use for external program switch (only four terminals) or for controlling the program positions via the terminals on the control unit. (program selection terminal zero)	NO ACT PSOPEN PSHAND PSAUTO PSEXIT PSNIGHT	NO ACT
SCBloc	Lock the program selector key in the side cover (side cover block) Toggle = Lock/unlock (press active program key during at least 5 seconds). Time = Lock (automatically after 5 minutes without any activation of the program keys), unlocking (press active program key during at least 5 seconds).	OFF TOGGLE TIME	OFF



### 7.4.3 Installations with multiple door leaves (DOUBLE DOOR)

Parameter	Description	Setting range	Default
DubleD	Closing sequence role (Master/Slave) and interlock side (A/B)	OFF MastrA SlaveA MastrB SlaveB	OFF
AoSeq	Current delay angle for opening sequence control (Slave) (only visible if DupleD is active)	0..110°	20°
AcSeq	Current delay angle for closing sequence control (Master) (only visible if DupleD is active)	0..110°	20°
InterL	Interlock	OFF SideA SideB	OFF
ILAuto	Interlock mode Operating mode AUTOMATIC (only visible if InterL is active)	Inacti Active	Active
ILExit	Interlock mode Operating mode EXIT (only visible if InterL is active)	Inacti Active	Active
ILNigt	Interlock mode Operating mode NIGHT (only visible if InterL is active)	Inacti Active	Active



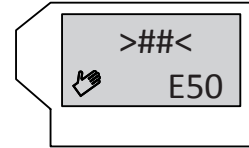
On the **1st level**, the following information is shown on the display:

1st display line:

The door position is represented by means of the arrows (><). Alternatively, the motion-relevant opening and safety signals are displayed. The double hash signs (##) indicate that the door is locked. In the open position the hold-open time is shown in the form of a countdown.

Display of the door position:

<REF?>	Waits for reference switch
< ?? >	Unknown
><	Closed
>##<	Closed and locked
<< >>	Opening
< >	Open
>> <<	Closing
==	Stopping

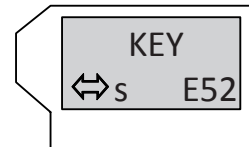
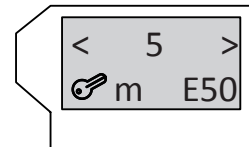


Display of the door control:

OEO	Opening element outside
OEI	Opening element inside
KEY	Opening element NIGHT
SES	Safety element Stop
SER	Safety element Reversing
SEF	Safety element Force (obstacle detection)
EMY	Emergency element
PUGO	Push-and-Go

2nd display line:

- at the bottom, left-hand side, the presently enabled operating mode is displayed (a frame around the symbol indicates the overriding operating mode).
- (m) means closing sequence - Master
- (s) means closing sequence - Slave
- (w) means interlock
- at the bottom, right-hand side, the presently active errors are displayed.



By means of OK you can switch over from the first to the second level.

For all the menus of the following list, exiting is possible by remaining on the OK key, or by means of the menu item ESC.

On the **2nd level**, the following menus are available:

PARAMETER

Setting the motional parameters

- A changed parameter value is shown by a flashing display.  
Press OK in order to validate the change.

CONFIG

Setting the functionalities

- A changed parameter value is shown by a flashing display.  
Press OK in order to validate the change.

DOUBLE DOOR

Setting the closing sequence and interlock function

- A changed parameter value is indicated by a flashing display.  
In order to validate the change, OK must be pressed.

## DIAGNOSTICS

### Diagnostic tools

- K-I-O-R-S-E shows the inputs KEY (K), OEI (I), OEO (O), SER (R), SES (S), EMY (E).  
(+) stands for active, (-) for inactive.
  - 5.1A 95° shows the motor current and the door opening angle.
  - 37°C 25 65 indicates the presently measured temperature in the power electronics, completed by the minimum and the maximum values. OK causes the minimum and the maximum values to be reset.
  - Simulate Key: OK triggers a Key command.
  - E-Lock: L- shows the status of Lock (L). FB- shows the input EI-Fb. OK actuates the electric lock.  
L+ resp. FB+ means locked. L- resp. FB- means unlocked.
  - HW Version: Version of the Logic PCB.
  - SW Version: Version of the Software.
  - Cycles: Total number of openings (this value is memorized).
- Optional PCBs ⇒ see chapter 13.6.

## ERROR ACTIVE

### Pending active errors

- The pending active errors are displayed in a list. This list is updated at the end and the latest additions appear during the next passage.  
A0 indicates the latest error that has occurred.
- Exit the list by pressing OK.

## HISTOR ERROR

### Formerly active errors

- H0 indicates the latest error that has occurred.

## REINIT

### Carry out a re-initialization

- PARAM Reset sets all the motional parameters back to the default values (inclusive opening angle, rod assemblies, Invers and dAxis).
- CONFIG Reset sets all the configuration settings back to the default values.
- DOUBLE Reset sets all the closing sequence and interlock settings back to the default values.
- FACTOR Reset  
The control unit is reset to the delivery configuration programmed by the manufacturer.  
This means that all the motional parameters, configurations, closing sequence and interlock settings are reinitialized with the default settings.
- Reset OK? is validated by means of OK and aborted by any other joystick movement.

**BLOCK/UNBLOC**

Lock/unlock the joystick

- **BLOCK**  
Lock the joystick. For a temporary unlocking, press OK for more than 1 second. 60 seconds after the last joystick actuation, the joystick is automatically relocked.
- **UNBLOC**  
Permanent unlocking of the joystick.

**TEACH**

Completely close the door leaf. Initiate a setting-up procedure (during the setting-up procedure the drive mechanism continues to beep).

- Teach OK? is validated by means of OK and aborted by any other joystick movement.
- The setting-up procedure can be canceled by means of the D-BEDIX (C-key).

Setting of the opening angle (Ao): During the first setting-up run, the drive mechanism moves to the open position (Ao) or up to the recommended open position stop piece, whichever event happens first, and the obtained result is memorized as opening angle. In the event of an excessively big difference between the actual opening angle and the displayed angle (in the diagnostic menu), this angle can be corrected (by means of dAxis). If the difference persists, the installation precision should be checked.

## 8 SERVICE

A regular service (maintenance/checking) is absolutely indispensable in order to guarantee a safe operation and long lifetime of the installation. The service must be carried out **at least once a year**:

- by a expert (according to the following checklist)
- by a authorized specialist (according to maintenance control booklet for fixing devices).

This checkup work basically refers to visual and functional checking destined to evaluate the integrity, the condition and the efficiency of the components and safety devices (checking of the different elements as far as these are included in the installation).



**Warning:**

To avoid jeopardizing the safety of persons, any defective safety elements may not be disconnected in order to continue the operation of the installation!



**Attention:**

In order to guarantee the availability of the installation, any elements showing signs of wear must be replaced as a preventive measure!



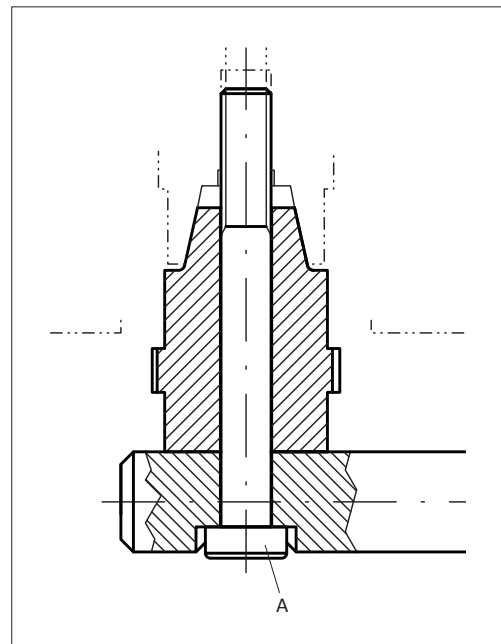
**Note:**

- Every service which has been carried out shall be entered into the control booklet!
- The following service description refers to the basic components. The options are described in detail in chapter "Options".



**Attention:**

If the fastening screw (A) of the rotating arm is released, this screw must be secured upon tightening by means of Loctite 243, or else a new original screw needs to be inserted (see chapter: Spare parts).





## 8.1 Service for pedestrian doors



### Warning:

Electrocution hazard! Before working on any live elements, pull out the mains plug as well as any existing plug of the emergency battery respectively switch off the main installation switch!

	Check	Clean <sup>2</sup>	Grease	Adjust
<b>Installation</b>				
General condition	x			
Free door movement (manually)	x			x
Door guides/Bottom guide rail	x	x		x
Door sealing joints	x	x		x
Sliding door leaves/Side panels/Protection leaves	x	x		
Coverings/hinge-type covers	x	x		
Tight fitting of screws and nuts	x			
<b>Drive mechanism</b>				
Drive mechanism	x	x		x
Transmission elements such as: Toothed belts, flat belts, cables, rods or chains	x	x		x
Running carriages with carrying pulleys and counter-pressure pulleys	x	x		x
Carrier rails	x	x	x	
Open/Closed position	x			x
<b>Control elements</b>				
All the existing control elements such as: Detectors, radars, key-operated switches, contact carpets, etc.	x	x		x
<b>Control unit</b>				
Electrical connections	x			
Functions related to installation	x			x
Program switch functions	x			
Emergency battery	x			
<b>Escape way doors</b>				
Emergency opening with mains failure <sup>1</sup>	x			
Opening speed 80 % in 3 seconds <sup>1</sup>	x			x
Activation escape way detector 1,5 m in front of the door <sup>1</sup>	x			x
Minimum escape way width <sup>1</sup>	x			x
Maximum opening force at Break-Out leaf 220 N (1 m from floor)	x			x
<b>Safety elements</b>				
Reversing/stopping mechanism	x	x		x
Door locking/Manual unlocking mechanism	x	x	x	x
Rubber cable	x			x
Monitoring switch	x	x		x
Light barrier/Presence detector	x	x		x
<b>Safety according EN16005</b>				
Protections against impact				
Protections against crushing				
Protections against getting caught in				
Protections against shearing				
Protections against imprisoning				
Safety deficiencies must be communicated to the operator (in writing)!				
<b>Miscellaneous</b>				
Rating plate, arrow sticker, glass sticker, etc. existing?				
Control booklet existing and completed?				

<sup>1</sup> Only for redundant drive mechanisms.

<sup>2</sup> ECO cleans all the elements of the installation provided this is necessary for the function of the installation. A general cleaning of the installation is not planned.

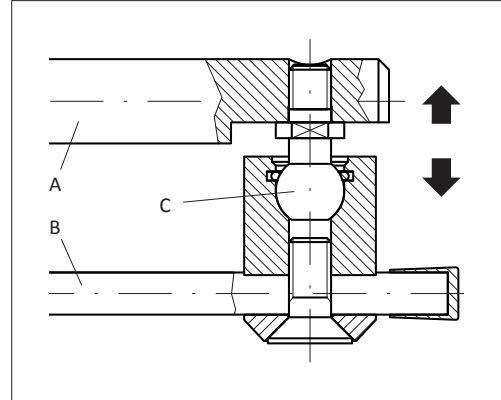
## 8.2 Fundamental checking



Warning:

Switch the main installation switch off on the drive mechanism!

1. Dismount the covering of the drive mechanism.
2. Check all the cable connections.
3. Normal rods:  
Separate the rod arm (B) from the rotating arm (A): Pull the spherical joint (C) apart.
4. Check the free running movement of the door leaf.
5. Check the bearings of the drive mechanism for increased noise level.
6. Normal rods:  
Connect the rod arm (B) and the rotating arm (A): Snap in the spherical joint (C).
7. Mount the covering of the drive mechanism.



# 9 TROUBLESHOOTING



**Warning:**

Electrocution hazard! Before working on any live elements, pull out the mains plug respectively switch off the main installation switch!

If a malfunction occurs which might be detrimental to the safety of the users, and which cannot be eliminated without delay, the operator must be informed and if required the installation shall be taken out of operation. The installation must be repaired as soon as possible.



**Note:**

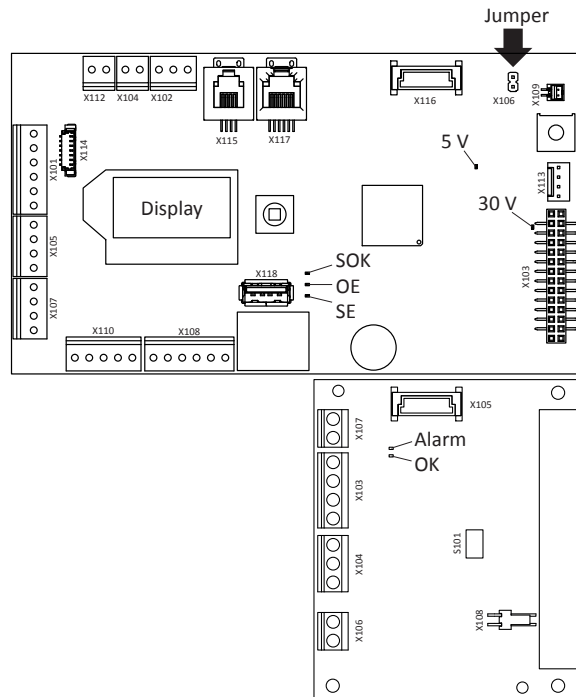
Every troubleshooting procedure which is carried out must be entered into the control booklet!

## 9.1 Malfunction with error-no.

The error is indicated on the display of the control unit.

Definition of the column "Reaction".

- A The drive mechanism deactivates itself during a certain period: Manual operating mode or stopping position.
- F Fatal error
- H Manual operating mode with re-starting attempt
- W Warning



### 9.1.1 Drive mechanism

No.	Description	Cause	Elimination	Checking time	Reaction
E1	03 Encoder	Channels A + B lost	Check the encoder connection. Check the motor cable. The sense of rotation of the rod of the motor is not in compliance with the rod assembly. The door is blocked. Check if a jumper has been inserted on X106.	During run.	H
		Short-circuit A + B			
		Dysfunctions			
		Motor cable uncorrect plugged in			
		No channel A			
		No channel B			
		No channel A + B			
Short-circuit A + B					
E2	01 Motor current	Current too high	Check the motor cable. Check if a jumper has been inserted on X106.	Prior to start-up.	H
		Current too low Jumper missing			
E3	01 Cushioning	Test failed once	Switch the drive mechanism to the MANUAL operating mode and carefully check if the door closes in a cushioned manner. If not: replace the hardware. If yes: check/correct the friction of the door leaf and the pre-stressing of the closing spring.	Prior to the closing motion, after start-up, and subsequently every 24 h.	W  F Drive unit is functioning. Buzzer actif.
		Test failed twice. Damping defective or opening beyond the peak of the cardioids curve.			
E4	01 Reference switch	Detected in the open position.	Check the connection and the switching point of the reference switch (see chapter 4.9.2). The reference switch must be activated in the closed position (switching contact open).	Open position.	F
		Not detected in the closed position.		Prior to the first setting-up run.	A
		Not detected in open position.			
E5	00 Power limitation	Overload of the control. the maximum power is restricted.	Check/correct the friction of the door leaf and the pre-stressing of the closing spring.	Permanent.	A

### 9.1.2 Operating

No.	Description	Cause	Elimination	Checking time	Reaction	
E10	01	Fullteach required	Parameter Ao, Rod, Invers or dAxis changed.	Carry out a teach.	Upon changing the drive mechanism configuration.	H
	02		Minimum opening angle has not been reached.	Check the locking/electric lock.	During Teach.	H
E11	01	Halfteach required (Opening)	Parameter Vo changed.	Carry out a complete and unhindered opening cycle.	Upon changing the motional parameters.	W
	02	Halfteach required (Closing)	Parameter Vc or FSlam changed.	Carry out a complete and unhindered closing cycle.		
E12	03	Excessively high current consumption during Teach in the open position (> 5 A)	Drive unit pushes against the open position stop piece or an obstacle. The spring tension is possibly too high.	Reduce the opening angle Ao. Reduce the spring tension.	Open position Teach 3 (E11).	F
E14	01	Locking/electric lock	The door leaf got caught in the locking/electric lock. Feedback: the electric lock ELFb does not switch.	Check the function of the locking/electric lock. Feedback: check the electric lock ELFb.	When opening from a closed position.	H
	02		The inverted operation has no locking, or the interlocking force Fch has not been programmed.	Program/increase the interlocking force Fch.	At the end of the teach-in procedure.	W
E15	01	Obstacle in opening direction	Too many successive obstacles have occurred.	Examine the installation. Remove the obstacle. Move the door leaf to the target position.	Permanent.	H, A Restart after 60 s.
	02	Obstacle in closing direction				
E16	01	Temperature	Temperature on output level has reached 81 °C.	Respect the applicaiton limits.	Permanent.	A Drive unit functions with reduced power.
	02		Temperature on output level has reached 91 °C.			A Drive unit has stopped.

### 9.1.3 Safety elements

No.	Description	Cause	Elimination	Checking time	Reaction	
E20	01	SER Test	SER Test signal unsuccessful.	SER short-circuit to the earth. Check the cabling of the sensor or the jumper.	Prior to closing.	A
	02		SER too slow.			
E21	01	SES Test	SES Test signal unsuccessful.	SES short-circuit to the earth. Check the cabling of the sensor or the jumper.	Prior to opening.	A
	02		SES too slow.			
E22	01	EMY Test	EMY input on 24 V.	Check the jumper EMY. Check the cabling of EMY.	Permanent.	H

### 9.1.4 Feeding

No.	Description	Cause	Elimination	Checking time	Reaction	
E30	01	30 V Error	30 V too low.	Mains failure, overload motor. Check the feed-in. Replace the hardware.	Permanent.	A
	02		30 V too high.			
	03		Error upon switching-on.			
E31	01	24 V General	Error upon switching-on.	Overload, short-circuit 24 VDC onto terminals X101, X102 or X116 (Fire protection PCB/Relay PCB).	Permanent.	A Restart after 10 s.
	02		Over- resp. under-voltage.			
E32	01	24 V Safety	Over- resp. under-voltage.	Overload, short-circuit 24 VDC onto terminals X105 or X107.		
E33	01	24 V E-Lock	Error: Over- resp. under-voltage.	Overload, short-circuit 24 VDC onto terminal X108.		
	02		Premonition: Over- resp. under-voltage.			
E34	01	24 V CAN	Over- resp. under-voltage.	Overload, short-circuit external power supply CAN.		

### 9.1.5 System

No.	Description	Cause	Elimination	Checking time	Reaction
E50	01...99	System error Unexpected hardware or software event.	Switch the drive mechanism off/on. Carry out a Factory Reset, carry out a Software Update, inform the manufacturer.	Permanent.	W or H or F
E51	01...99				
E52	01...99				

### 9.1.6 Options

No.	Description	Cause	Elimination	Checking time	Reaction	
E60	00	Option PCB has been removed, its address changed or become defective.	Check if the option is provided. If defective: Replace or remove from the configuration. Note: Deleting of error 60 ⇒ see chapter 13.6.1.	Permanent.	W	
	10					Relay PCB 1
	20					Relay PCB
	30					Fire-protection PCB

### 9.1.7 Closing sequence / Interlock function

No.	Description	Cause	Elimination	Checking time	Reaction
E70	xx	CAN bus setting	CAN address xx existing twice.	Correctly define the role of the closing sequence or the interlock function.	Permanent. W
E71	01	CAN connection	No CAN connection.	Plug in, check or replace the CAN cable. Check if all the CAN participants are switched on.	Permanent. W

## 9.2 Malfunction without error-no.

In some cases, it will be technically impossible to display an "irregular functioning" of the installation by a definite error number. An alleged error may by all means also be due to "correct" causes. For this reason the list shown hereafter has been established, which contains the probable or already encountered irregular functioning, their possible causes as well as the corrective action (error elimination) to be taken.

Malfunction	Analysis	Possible causes	Remedy
Drive unit fails to react: <ul style="list-style-type: none"> <li>No automatic opening.</li> <li>No reaction on the control elements (side cover/D-Bedix).</li> </ul>	<ul style="list-style-type: none"> <li>The program selection keys in the side cover are not lighted.</li> <li>LED 5 V (green) on the control is not lighted.</li> </ul>	Power supply voltage is missing.	<ul style="list-style-type: none"> <li>Switch on the main installation switch in the side cover.</li> <li>Measure the mains supply voltage, check its cabling and eliminate any detected deficiencies.</li> <li>Should the two above-mentioned measures not be successful, the control unit needs to be replaced.</li> </ul>
Drive unit fails to open.	<ul style="list-style-type: none"> <li>LED SE (safety element, yellow) is lit.</li> <li>Determine the active safety element via the diagnostic level.</li> </ul>	One or more safety elements are active or incorrectly cabled.	<ul style="list-style-type: none"> <li>Remove the obstacle.</li> <li>Check the cabling between the safety element and the control unit, and eliminate any detected deficiencies.</li> <li>Replace the safety element.</li> </ul>
	<ul style="list-style-type: none"> <li>LED SE (safety element, yellow) is not lighted.</li> <li>LED OE (opening command, blue) reacts to the opening element.</li> <li>Determine the opening element via the diagnostic level.</li> </ul>	Depending on the enabled operating mode, the opening commands (inside/outside, etc.) are ignored.	<ul style="list-style-type: none"> <li>Change the operating mode.</li> <li>Correct the cabling of the opening elements.</li> </ul>
	<ul style="list-style-type: none"> <li>LED SE (safety element, yellow) is not lighted.</li> <li>LED OE (opening command, blue) is not lighted despite the active opening element.</li> </ul>	The opening command is not evaluated.	<ul style="list-style-type: none"> <li>Check the cabling between the opening element and the control unit and eliminate any detected deficiencies.</li> <li>Replace the opening element.</li> </ul>
	The red LED in the side cover lights up.	Fire alarm/Mains failure.	Acknowledge the alarm (either by means of a connected button or by pressing and holding for a certain time a program key in the side cover).
Drive unit fails to close.	<ul style="list-style-type: none"> <li>LED SE (safety element, yellow) is lit.</li> </ul>	One or more safety elements are active or incorrectly cabled.	<ul style="list-style-type: none"> <li>Remove the obstacle.</li> <li>Check the cabling between the safety element and the control unit and eliminate any detected deficiencies.</li> <li>Replace the safety element.</li> </ul>
	<ul style="list-style-type: none"> <li>LED SE (safety element, yellow) is not lighted.</li> <li>LED OE (opening command, blue) is lit.</li> </ul>	An opening command is pending.	<ul style="list-style-type: none"> <li>Check the cabling between the opening element and the control unit and eliminate any detected deficiencies.</li> <li>Replace the opening element.</li> </ul>
	Check the operating mode.	The operating mode OPEN is active.	Change the operating mode.
The operating mode cannot be changed.	<ul style="list-style-type: none"> <li>The program selection keys in the side cover are not lighted.</li> </ul>	The ribbon cable is not plugged in correctly, or not plugged in at all.	Check the ribbon cable and eliminate any detected deficiencies.
	<ul style="list-style-type: none"> <li>The operating mode symbol on the display is underlined.</li> </ul>	The operating mode is overridden via connection terminal X110.	<ul style="list-style-type: none"> <li>Change the operating mode by means of the external program selector switch.</li> <li>Correct the cabling of the external program selector switch.</li> </ul>
Prior to commissioning: During manual opening, the door leaf encounters an important resistance and closes at high speed.		The motor connector plug is not correctly connected.	<ul style="list-style-type: none"> <li>Plug the motor connector plug into the correct socket, in accordance with the application (pulling/pushing function) (see chapter 4.1; Default setting = pushing function).</li> </ul>

## 9.3 Software update via USB

A software update of the ETS 64-R control unit can be easily and rapidly achieved by means of an USB memory stick.



Note:

Not all the USB memory sticks can be used. We thus recommend a previous testing of their function together with the ETS 64-R.

### 9.3.1 Preparation

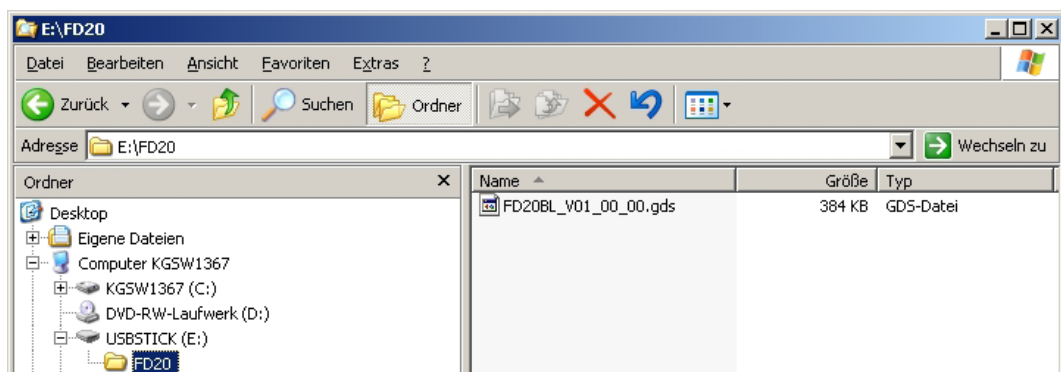
The USB stick must contain a folder FD20.

The file name of the application must specify FD20.

The name of the file extension must be **gds**.

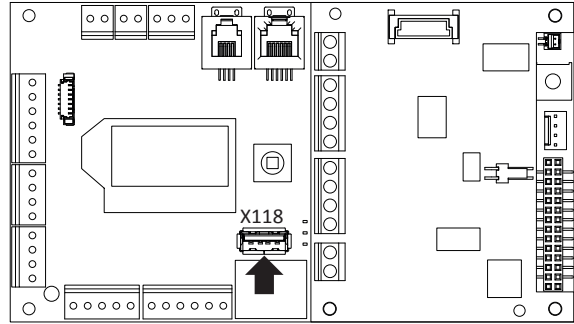
⇒ The stick shall only contain one single FD20 folder.

⇒ There must be only one single file in the FD20 folder.



### 9.3.2 Procedure

1. Switch off the main installation switch on the ETS 64-R.
2. Plug the USB stick into the control unit ⇒ socket X118.
3. Switch on the main installations switch on the ETS 64-R.
4. The software download takes approx. 1 minute ⇒ Watch the LED display on the ocnrol unit.



### 9.3.3. LED display on the control

The display of the functions is ensured via three LEDs on the control PCB:

SOK	Green	USB-Loader started
OE	Blue	Activity in progress (delete/write memory)
SOK + OE	Green/Blue	Download completed ⇒ remove the stick
SE	Yellow	Error

### 9.3.4 Possible errors

- Incorrectly formatted USB stick  
⇒ this stick must be FAT or FAT 32 formatted (File Allocation Table from Microsoft).
- Several drives existing on the USB stick  
⇒ only one drive is legible.
- Invalid file  
⇒ Not encrypted, damaged, FD20 missing in the file name, **gds** missing in the file extension.



## 10 SHUT-DOWN

No particular measures need to be taken for de-commissioning the installation.

If the swing door drive mechanism will not be used during at least 1 month, it is recommended to pull out the mains plug.

For taking the installation back into operation, all you have to do is to plug in the mains cable and select the operating mode.

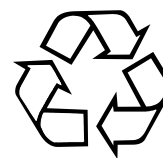


Attention:

If the installation is re-commissioned at low temperatures, it must be switched on 1...2 hours prior to the actual setting-up procedure (so that the operating temperature can be reached).

## 11 DISPOSAL OF THE INSTALLATION

An ecologically acceptable disposal of the installation is ensured if the different materials are separated and recycled. No particular measures are required for the protection of the environment. However, the relevant legal prescriptions applicable for the installation site have to be complied with!



## 12 SPARE PARTS

Article No.	Designation	Remark
0548-116	Drive module	
0548-117	Drive module GSd	
0548-204	Switch support complete	
0548-107	Fixing set	
0548-358	Mounting plate	Option
0548-360	Mounting plate Mod.	Option
0548-106	Open stop piece integrated into the drive mechanism	Option
0548-141	Control unit complete (incl. fire protection PCB)	
0548-113	Encoder cable, reference switch cable, screws	
0548-215	Relay PCB	Option
0548-216	Radio PCB	Option
0635-142	D-BEDIX	Option
0548-133	Service D-BEDIX	for fitter
0548-400	Drive mechanism covering	Aluminium ■
0548-143	Covering accessories	Aluminium
0548-303	Drive mechanism covering	Stainless steel ■
0548-115	Covering accessories	Stainless steel
0548-177	Side cover complete incl. main switch and program selector	
0548-185	Side cover incl. LED	
0548-186	Side cover GSd incl. LED	
0548-460	Side cover extension	
0548-209	Flexible cable routing	Option
0548-163/01	Normal rods RS	
0548-164/01	Sliding rods RG (incl. sliding rail 650 mm)	
0549-115	Connection plate for wooden door leaf compl. (normal rods)	Option
0548-190/01	Axle extension RG/RS + 10 mm	incl. Tuflok screw
0548-191/01	Axle extension RG/RS + 20 mm	incl. Tuflok screw
0548-192/01	Axle extension RG/RS + 30 mm	incl. Tuflok screw
0548-104	Normal rods	
0548-104/01	Normal rods KTL	
0548-134	Sliding rods (incl. sliding rail 620 mm)	
0548-105/01	Sliding rods KTL (incl. sliding rail 620 mm)	
0548-114	Clamping piece standard (incl. screw)	
0548-124	Clamping piece -13 mm (incl. screw)	Option
0548-125	Clamping piece +20 mm (incl. screw)	Option
0548-126	Clamping piece +50 mm (incl. screw)	Option
4099-127	Tuflok screw -10 mm (for clamping piece -13 mm)	Option
4099-282	Tuflok screw standard	Option
4099-286	Tuflok screw +20 mm	Option
4099-290	Tuflok screw +50 mm	Option
0548-222	Expansion element complete (2 pieces) for sliding rail	■
0548-223	Glider for sliding rods	
0548-380	Covering caps (2 pieces) for sliding rail	
0548-398	Sliding bolt 14 mm for sliding rods	
0547-376	Sliding bolt 38 mm for sliding rods	

# 13 OPTIONS

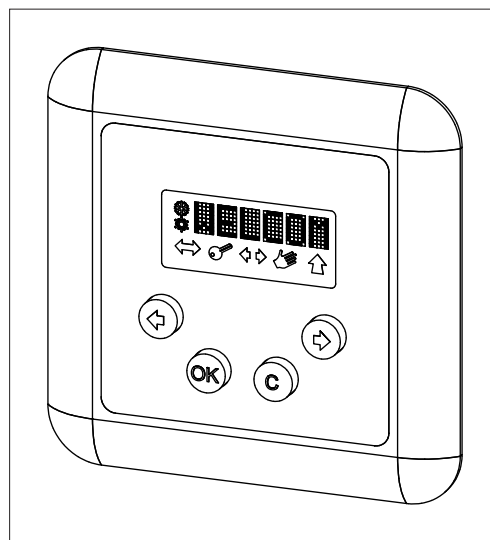
## 13.1 D-BEDIX

The different operating modes can be directly enabled by means of the D-BEDIX. In addition, it provides easy programming of the most important door settings.

The operating modes, menu settings as well as possible errors are displayed in a clearly arranged synopsis.

The D-BEDIX is connected to the control unit ETS 64-R via a screened two-core connection cable (e.g. U72M or EIB-Y(St)Y, max. length 50 m).

Only one D-BEDIX can be connected per door installation.



### 13.1.1 Keys

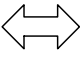

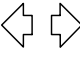


	<p>C-key (Cancel)</p> <ul style="list-style-type: none"> <li>• Exit the menu</li> <li>• Invalidate entry.</li> </ul>
	<p>OK-key</p> <ul style="list-style-type: none"> <li>• Confirm the selection</li> <li>• Confirm the entry.</li> </ul>
	<p>Arrow keys</p> <ul style="list-style-type: none"> <li>• Navigate within the menus</li> <li>• Short simultaneous actuation of both keys = acces to the menu level.</li> </ul>

### 13.1.2 Symbols

	<p>Operating mode symbols</p> <ul style="list-style-type: none"> <li>• Show the possible operating modes (see chapter: Operating modes).</li> </ul>	
	<p>Selection frame (active and preselected operating mode)</p> <ul style="list-style-type: none"> <li>• Shows what has been presently selected.</li> </ul>	
	<p>Selection frame (active operating mode)</p> <ul style="list-style-type: none"> <li>• Shows what has been presently selected but is still inhibited. A control element with higher priority (e.g. key-operated switch) determines the operating mode.</li> </ul>	
	<p>Bar (preselected operating mode)</p> <ul style="list-style-type: none"> <li>• Shows the preselected operating mode.</li> </ul>	

### 13.1.3 Operating modes

With the D-BEDIX, the following operating modes can be selected by means of the corresponding symbols:

	<b>AUTOMATIC</b> Automatic operation. The installation can be locked.
	<b>NIGHT</b> The installation is locked <sup>1</sup> . As opening commands, only the key-operated impulse switch is accepted. The delayed switchover to the operating mode NIGHT can be activated by means of parameter TdNigt. Function: If the program selector switch is changed to the operating mode NIGHT from any random operating mode, the internal radar will still remain active during the programmed time TdNigt (EXIT).
	<b>OPEN</b> The installation is opened and remains in the open position.
	<b>MANUAL</b> The installation stops. The swing door leaf is released and can be manually opened and closed.
	<b>EXIT</b> One-way traffic from inside towards the outside. The installation is locked <sup>2</sup> (shop closing switching mode).

<sup>1</sup> Provided that the locking mechanism (optional) is installed.

<sup>2</sup> Each operating mode can be locked (this is configurable).

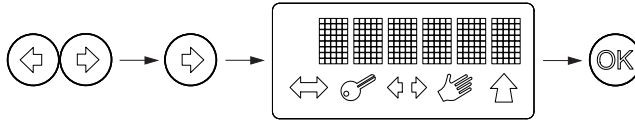
### 13.1.4 Display of the door position

The following door positions are represented on the D-BEDIX display:

<REF?>	Waits for reference switch
< ?? >	Unknown
><	Closed
>##<	Closed and locked
<< >>	Opening
< >	Open
>> <<	Closing
==	Stopping

### 13.1.5 Menu level

Short and simultaneous actuation of both arrow keys (=access to the menu level).  
 Select the desired menu item by means of the arrow key.  
 Confirm by means of the OK key.



Display	Description
PARAMETER	Setting the motional parameters *
CONFIG	Setting the functionalities *
DOUBLE DOOR	Setting the closing sequence and interlock function *
DIAGNOSTICS	Diagnostic tool
ERROR ACTIVE	Active pending errors
ERROR HISTORY	Formerly active errors
REINIT	Carry out a re-initialization *
BLOCK/UNBLOC	Lock/unlock keys
TEACH	Initiate a setting-up procedure ⇒ make sure that the door leaf is completely closed.

\* password protected



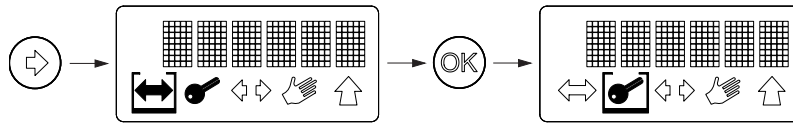
Note:

The detailed settings are described in chapter 7.4.

### 13.1.6 Setting examples

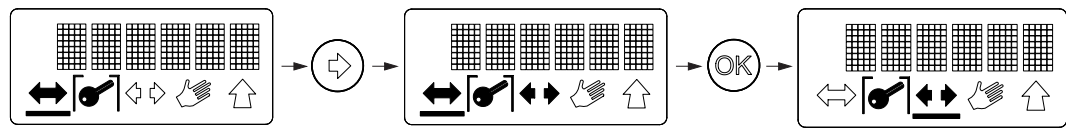
#### Changing the operating mode

Select the desired symbol by means of the arrow key (symbol starts flashing).  
Confirm with the OK key (frame/bar switch over).



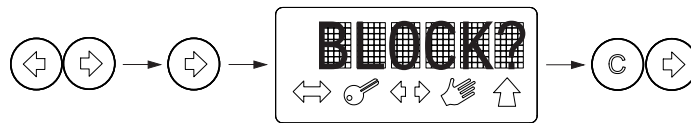
#### Preselecting the operating mode

An overriding switch is active and determines the operating mode (only the selection frame is visible, the bar underlines the preselected operating mode). Now you can select the operating mode you want to be active upon cancellation of the overriding switch:  
Select the desired symbol by means of the arrow key (symbol starts flashing).  
Confirm with the OK key (bar switches over).



#### Enabling the keylock

Short simultaneous actuation of both arrow keys (= access to the menu level).  
By means of the arrow key, select BLOCK.  
Confirm with the C-key and the right-hand arrow key.



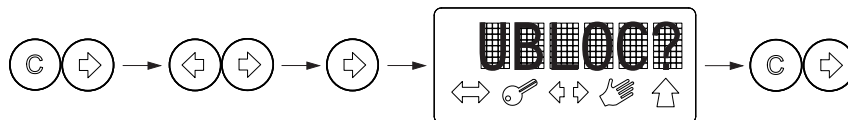
#### Temporarily disabling the keylock (60 s)

Short simultaneous actuation of the C-key and the right-hand arrow key.



#### Disabling the keylock

Short simultaneous actuation of the C-key and the right-hand arrow key.  
Short simultaneous actuation of the arrow keys (= access to the menu level).  
By means of the arrow key, select UNBLOC.  
Confirm with the C-key and the right-hand arrow key.



**Parameters (hold-open timeday)**

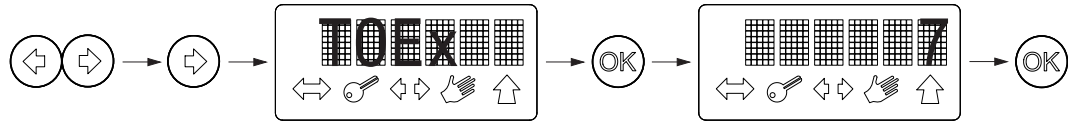
Short simultaneous actuation of the arrow keys (= access to the menu level).

By means of the arrow key, select TOEx.

Confirm with the OK key.

By means of the arrow key, change the value.

Confirm with the OK key.

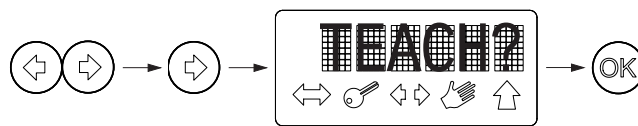
**Teach**

Completely close the door leaf.

Short simultaneous actuation of the arrow keys (= access to the menu level).

By means of the arrow key, select Teach.

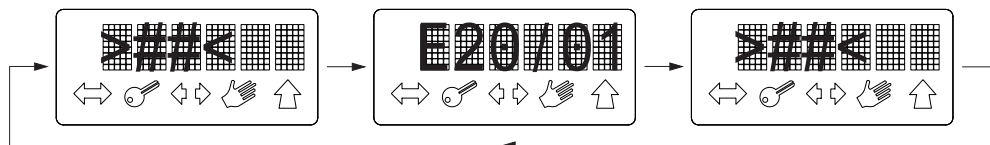
Confirm with the OK key.

**13.1.7 Error display**

In the event of an error, the display shows (alternating with the door position status) the presently active error number (e.g. E20/01).

Error list: see chapter Troubleshooting.

This sequence will be repeated until the error has been eliminated.



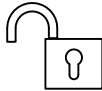


## 13.2 KOMBI-D-BEDIX

In addition to the functions of the D-BEDIX, the KOMBI-D-BEDIX contains a key-operated switch (round or profile cylinder) with the following function:

Lockout of the KOMBI-D-BEDIX against unauthorized use.

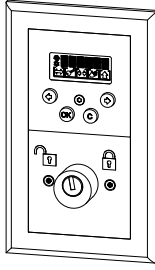
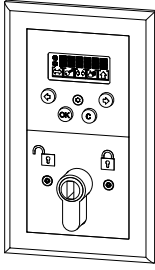

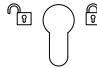
Free



Locked



If this lockout is enabled, all the keys are shortly lit (as a confirmation of the lockout).

 <p>Round cylinder</p>	 <p>Profile cylinder</p>
<p>Cylinder: to be supplied by customers</p>	
	
<p><b>0635-148/04</b></p> <p>KABA 1514 SEA 1.043.0 DOM 2222H ix5 Driver with 8 adjus. possibilities</p> <p>KESO 11.014.045 KESO 21.014.045 KESO 31.014.045 Adjustable beard E201</p>	<p><b>0635-148/02</b></p> <p>KESO 21.214.040 Adjustable beard E200</p> <p>DOM 333 ix-5 Driver with 8 adjusting possibilities</p> <p>BKS 8900 N BL 31 BKS 3101 N BL 31 BKS 3301 N BL 31</p> <p>ZEISS IKON 0040 ZEISS IKON 5040 ZEISS IKON 5044 ZEISS IKON 6044 ZEISS IKON 7044</p>



### 13.5 Continuous covering

For bi-parting installations, the two drive mechanisms can be optically connected by inserting an intermediate covering piece.



Note:

A fire alarm is displayed by the red LED in the side cover.

This LED must be visible on one of the two drive mechanisms!

Set with drive mechanism covering **1,9 m** Alu

0548-214 or

Set with drive mechanism covering **1,2 m** Alu

0548-220 or

Set with drive mechanism covering **1,2 m** Inox

0548-252

1 Drive mechanism covering Alu natural anodised E6/EV1

0548-304/01

Drive mechanism covering Inox

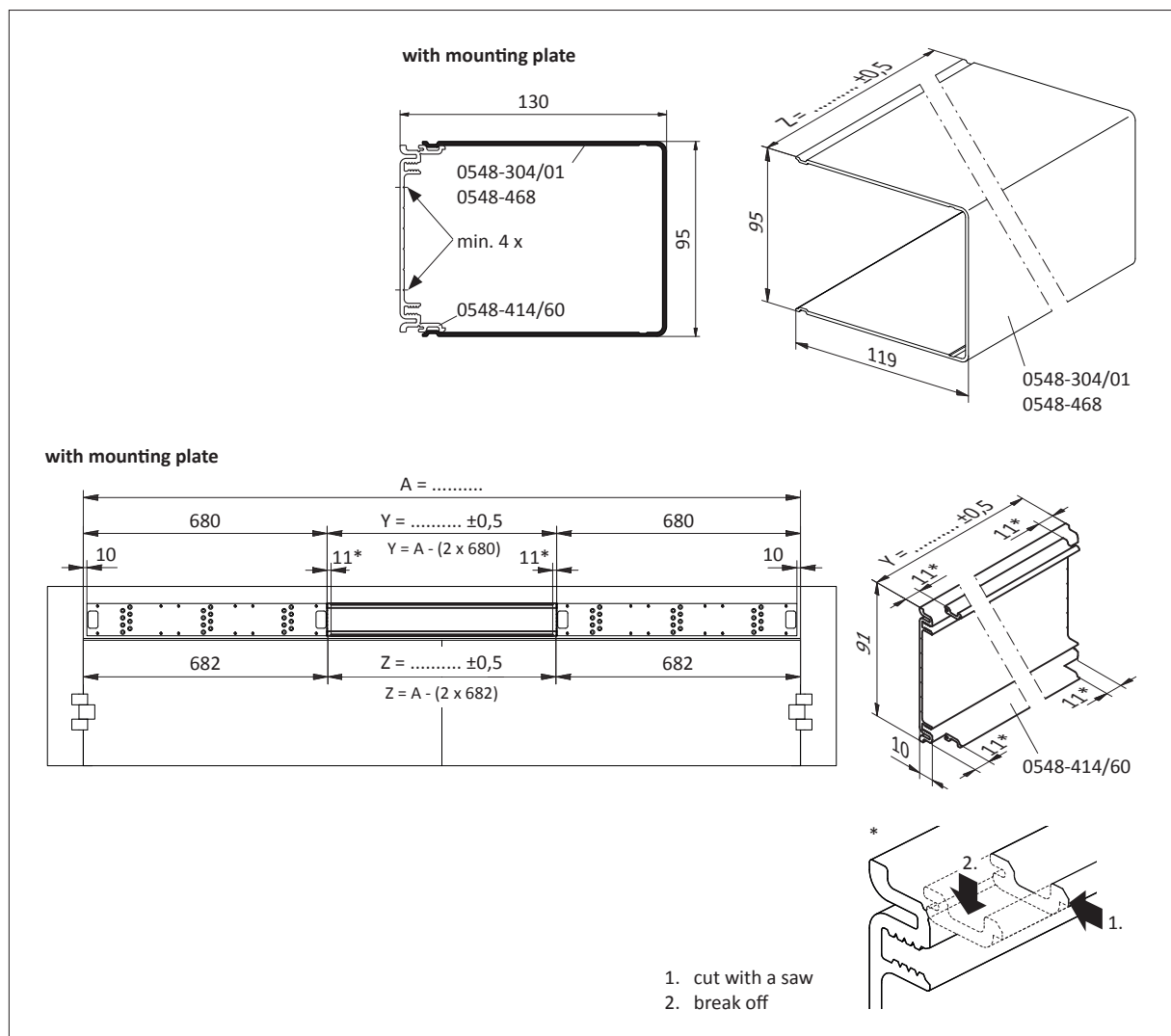
0548-468

1 Intermediate profile Aluminium untreated

0548-414/60

1 Fixing set

0548-214/90



## 13.6 Optional PCBs

All the optional PCBs are plugged into the control unit via a universal connector. A maximum number of two optional PCBs can be combined.



Attention:

All optional PCBs must only be plugged into/removed from the control unit after the dive unit has been disconnected from the power supply source!

### 13.6.1 Relay PCB

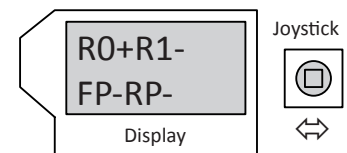
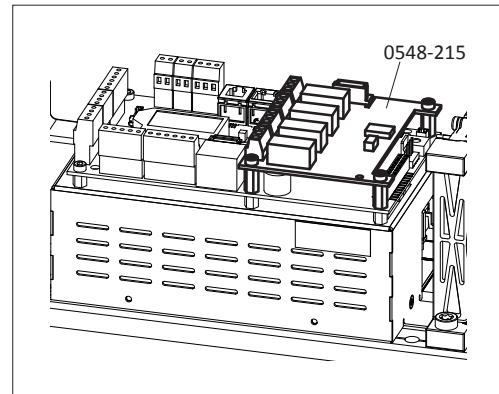
The relay PCB (blue) offers four outputs to be freely used by the customer.

#### Commissioning:

1. Addressing of the relay PCB by means of DIP-Switch:  
DIP-Switch Addr0 or Addr1.
2. Switch-on the main installation switch on the drive mechanism ⇒ the relay PCB is automatically identified.

The identified relay PCB is displayed as follows in the diagnostic menu:

R0 Addr0  
R1 Addr1  
FP Fire protection PCB  
RP Radio PCB  
+ identified and ready for operation  
- neither identified nor registered  
e defective or error  
x removed

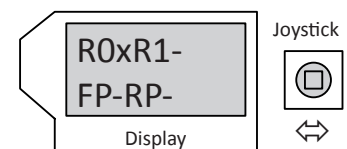


3. Enabling of the desired function per relay: under Settings ⇒ Configuration RC0.1 up to RC0.4 (for Addr 0) and RC1.1 up to RC1.4 (for Addr 1).

#### Remove the relay PCB:

1. Switch-off the main installation switch on the drive mechanism.
2. Remove the relay PCB.
3. Switch-on the main installation switch on the drive mechanism.  
Display: E60/00 ⇒ Addr0  
E60/10 ⇒ Addr1

4. Select menu: Diagnostics  
R0-R1-...  
R0xR1-...  
R0-R1x...  
R0xR1x...



5. In the rest position, press in the joystick: Reset OK? ⇒ The relay PCB is deleted from the configuration.

### 13.6.2 Radio PCB

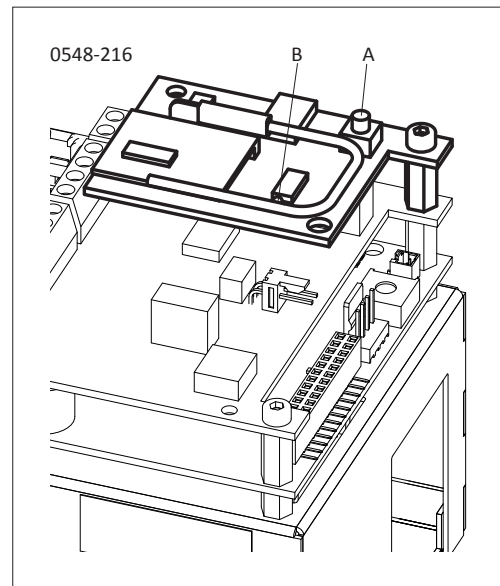
A radio control PCB can be plugged into the control of the drive mechanism. Using a hand-held radio transmitter/radio transmitter/radio code lock, this PCB can be programmed with a code, upon which the drive mechanism can be controlled via this element.

In cases where several elements shall be used for controlling the same drive mechanism, all the transmitters need to be programmed with the same code (which is transmitted from the standard transmitter to all the additional transmitters).

On the other hand, several drive mechanisms can be simultaneously controlled by one single button.

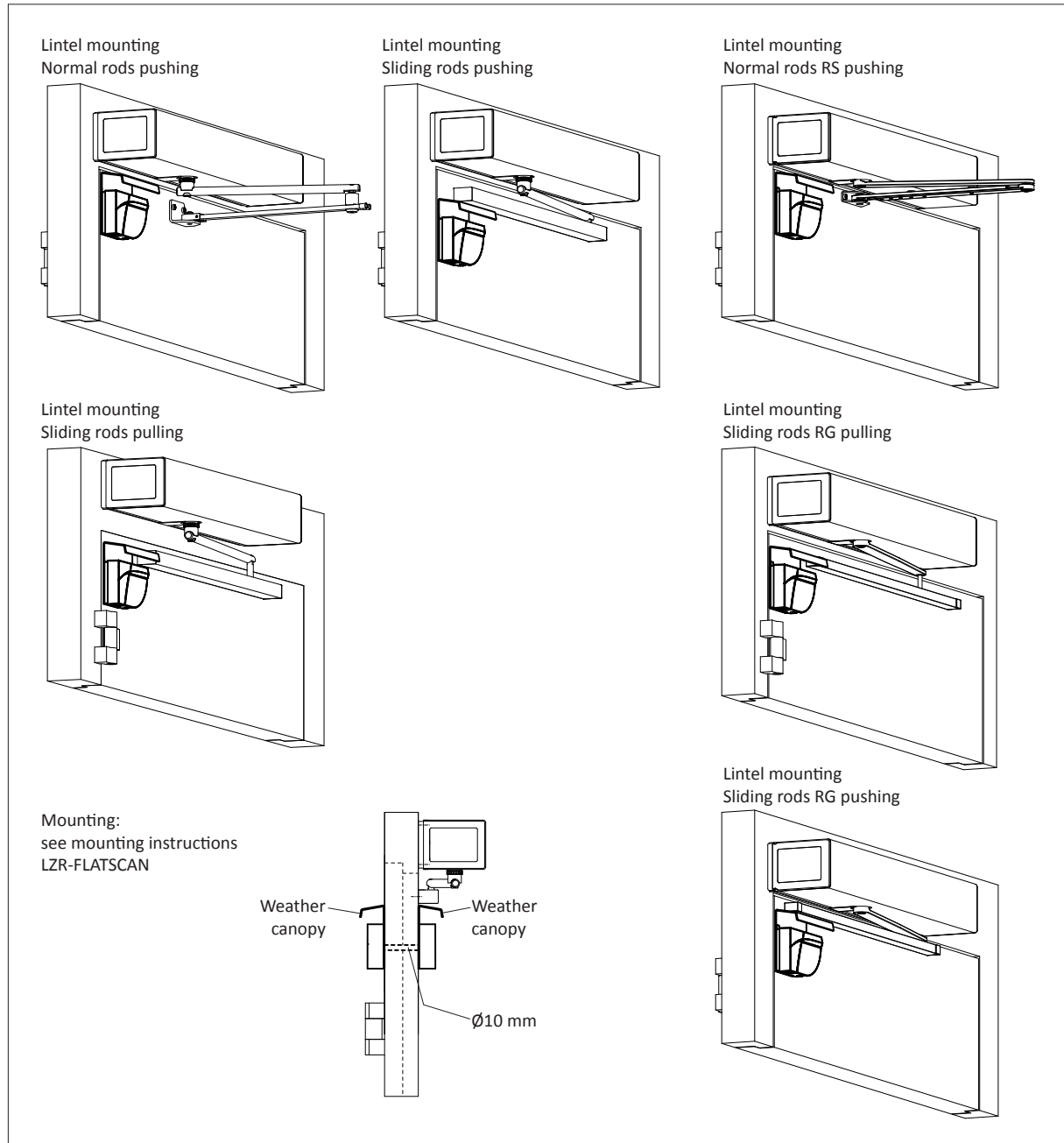
#### Teaching the element

1. Keep the button (A) on the radio control PCB depressed (at least during 3 seconds) until the red LED (B) flashes at regular intervals.
2. Maintain the desired button of the element depressed until the red LED (B) on the radio-control PCB lights up for about 2 seconds.
3. As soon as the red LED (B) is extinguished, this means that the code has been memorized in the radio control PCB.



### 13.7 LZR-FLATSCAN

In the event of swing doors, the FLATSCAN is mounted on the moving leaf, on the upper leaf corners (as close as possible to the secondary closing edge). The FLATSCAN can only be used in pairs! Master and Slave are connected among each other (see wiring diagram in the appendix).  
 If a door radar is mounted directly above the FLATSCAN, it is compulsory to mount the weather canopy (for screening against radar mocrowaves).



## 14 APPENDIX

The following documents are added as an appendix to this instructions:

Wiring diagram .....	E4-0141-713_ECO
Wiring diagram Fire protection PCB.....	E4-0141-714_ECO
Wiring diagram Relay PCB.....	E4-0141-715_ECO
Wiring diagram Flatscan LZR.....	E4-0142-149_ECO
Wiring diagram motorised locks .....	E4-0142-180_ECO



# ECO

ECO Schulte GmbH & Co. KG  
Iserlohner Landstrasse 89  
D-58706 Menden

## ETS 73 and ETS 64-R

### Drive mechanism for swing door

#### Notes description

##### Index of contents:

Sheet 1 = control PCB

Sheet 2 = 1-winged: Occupation of terminals

Sheet 3 = Mounting variants/Motor connection:  
DIN right/DIN left (standard/inversed)

Sheet 4 = } Double door: - Closing sequence Master

Sheet 5 = } - Closing sequence Slave

Sheet 6 = } Interl. syst.: - Side A

Sheet 7 = } - Side B

Diagram drawn: door is closed; mains off

⊛ If element is missing, put a jumper.

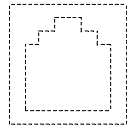
⌚ Total load +24V: Max. 2A

Stückliste		a	12'516/13.11.13	al	e	Gezeichnet	07.03.12	al	Ursprung:		WIRING DIAGRAM	Anlage:			
Ohne sep.	<input checked="" type="checkbox"/>	b	13'029/05.06.15	al	f	Geprüft			Ersatz für:		ETS 73 and ETS 64-R		Blatt-Nr. 0		E4-0141-713d_ECO
Sep. gl. Nr.	<input type="checkbox"/>	c	13'154/09.10.15	al	g						Drive mechanism for swing door		Anz.Blatt 7		
Sep. and. Nr.	<input type="checkbox"/>	d	14'151/12.02.18	al	h	Freigegeben									

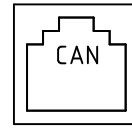




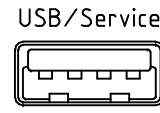
# ETS 73, ETS 64-R 0548-118



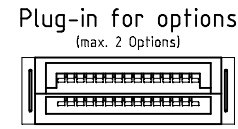
X115



X117



X118

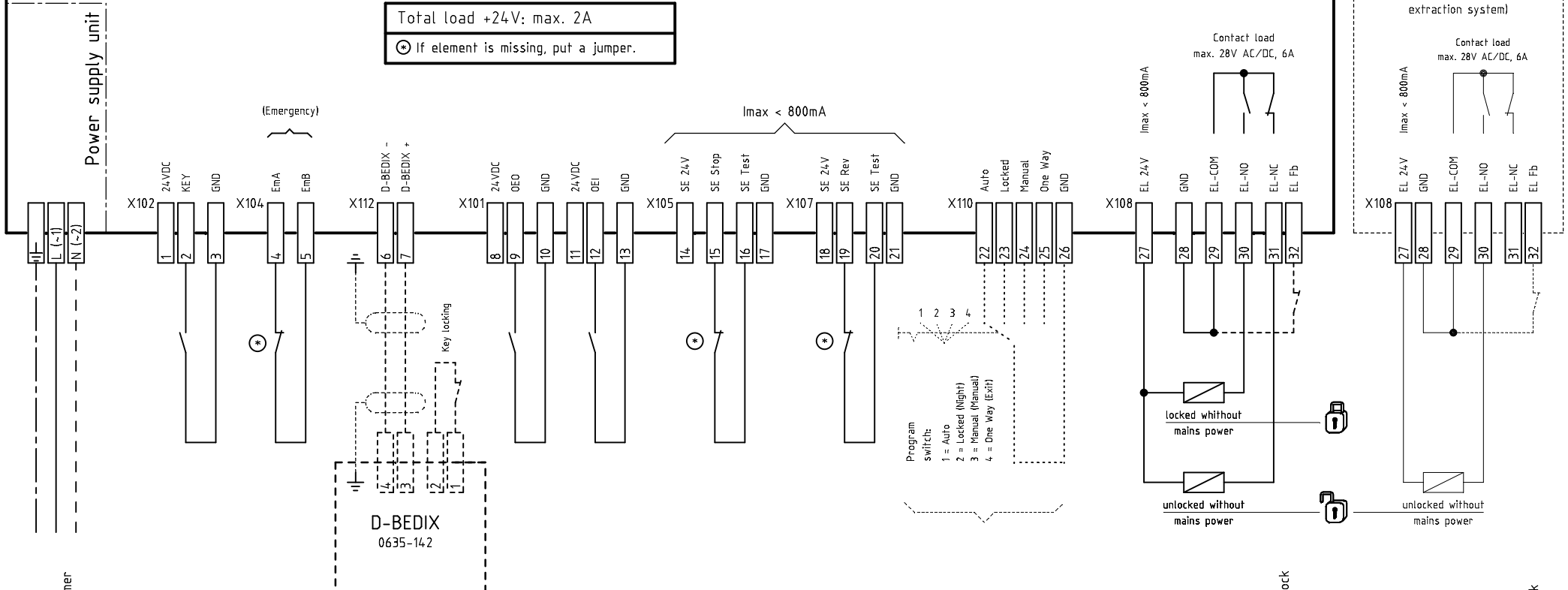


X116

Only for version "Inversed" with optional fire-protection PCB

Function RWA (Smoke and heat extraction system)

Total load +24V: max. 2A  
\* If element is missing, put a jumper.



Power supply 230V, 50Hz fuse 13A supplied by customer

Key-operated switch

Emerg.-closing/-opening Emergency Stop

Option D-BEDIX

Opening comand outside

Opening comand inside

Safety element Stop

Safety element Reversing

External program selector:

Motornised lock or electric lock

Optionally: Feedback signal, motorised lock or electric lock Softswitch EI Fb NO/NC

Electric lock

Optionally: Feedback signal electric lock Softswitch EI Fb NO/NC

Stückliste	a	12*516/13.11.13 at	e	Gezeichnet	07.03.12 at	Ursprung:
Ohne sep.	b	13*029/05.06.15 at	f	Geprüft		
Sep. gl. Nr.	c	13*154/09.10.15 at	g			Ersatz für:
Sep. and. Nr.	d	14*151/12.02.18 at	h	Freigegeben		

Änd.		
------	--	--

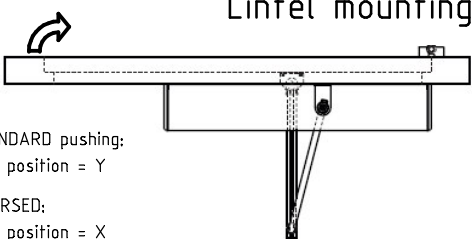
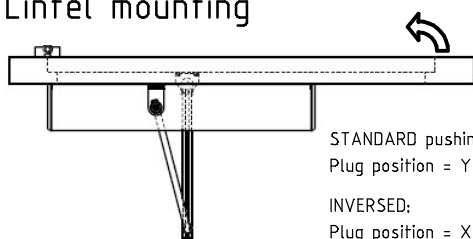


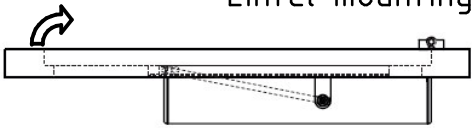

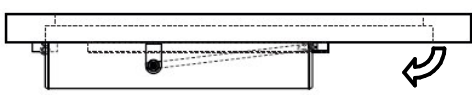
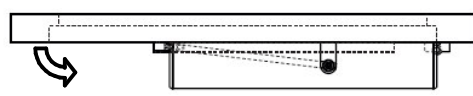
WIRING DIAGRAM  
ETS 73 and ETS 64-R  
Occupation of terminals

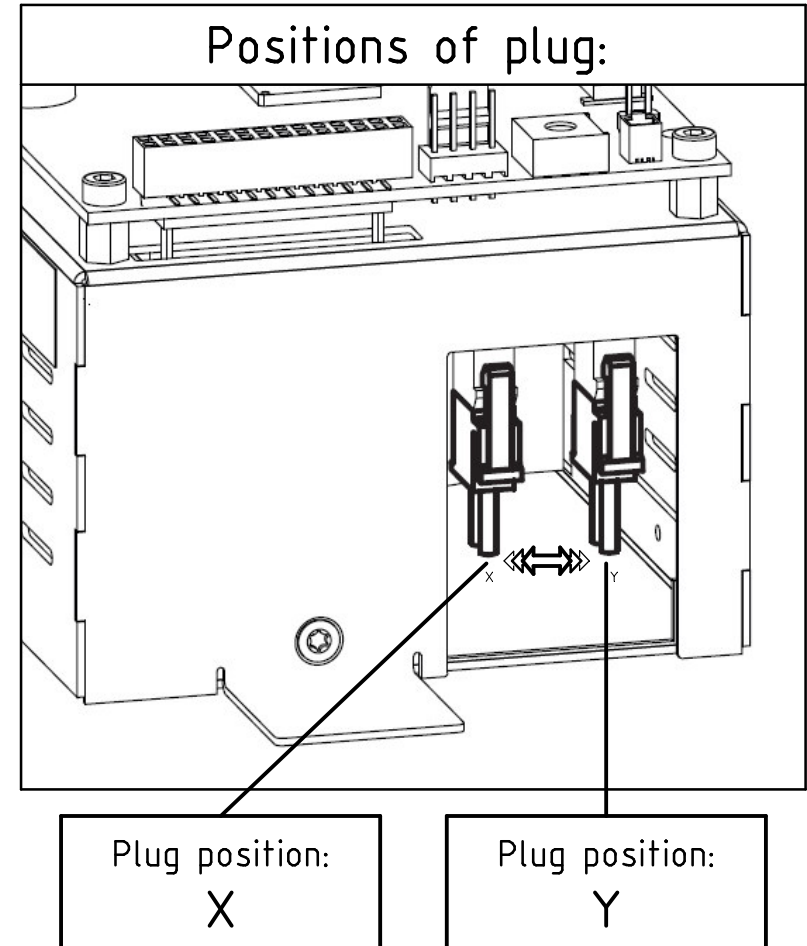
Anlage:  
1-winged

Blatt-Nr. 2  
Anz.Blatt 7

E4-0141-713d\_ECO

## Position of motor plug in function of the assembly version:

<b>DIN left</b>		<b>DIN right</b>	
<p>Lintel mounting</p>  <p>STANDARD pushing: Plug position = Y</p> <p>INVERSED: Plug position = X</p>		<p>Lintel mounting</p>  <p>STANDARD pushing: Plug position = Y</p> <p>INVERSED: Plug position = X</p>	
<p>Lintel mounting</p>  <p>STANDARD pulling: Plug position = X</p> <p>INVERSED: Plug position = Y</p>		<p>Lintel mounting</p>  <p>STANDARD pulling: Plug position = X</p> <p>INVERSED: Plug position = Y</p>	
<p>Lintel mounting</p>  <p>STANDARD pushing: Plug position = Y</p> <p>INVERSED : Plug position = X</p>		<p>Lintel mounting</p>  <p>STANDARD pushing: Plug position = Y</p> <p>INVERSED: Plug position = X</p>	
<p>Wing mounting</p>  <p>STANDARD pushing: Plug position = Y</p> <p>INVERSED: Plug position = X</p>		<p>Wing mounting</p>  <p>STANDARD pushing: Plug position = Y</p> <p>INVERSED: Plug position = X</p>	

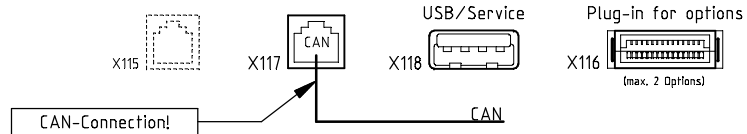


# ETS 73, ETS 64-R 0548-118

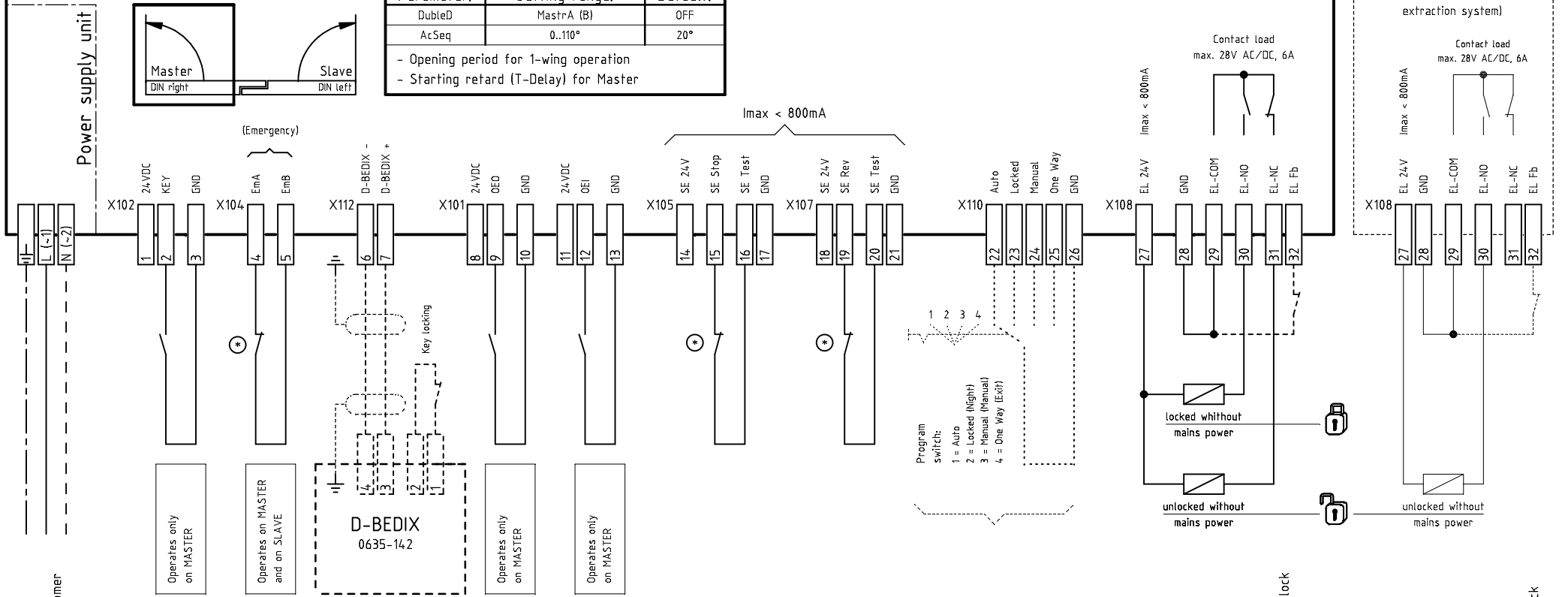
Total load +24V; max. 2A  
 \* If element is missing, put a jumper.

## Master

M A S T E R		
Parameter:	Setting range:	Default:
DubleD	MastrA (B)	OFF
AcSeq	0..110°	20°
- Opening period for 1-wing operation		
- Starting retard (T-Delay) for Master		



Only for version "Inversed" with optional fire-protection PCB  
 Function RWA (Smoke and heat extraction system)



- Power supply 230V, 50Hz fuse 13A supplied by customer
- Key-operated switch (Operates only on MASTER)
- Emerg.-closing/-opening Emergency Stop (Operates on MASTER and on SLAVE)
- Option D-BEDIX 0635-142 (Key locking)
- Opening command outside (Operates only on MASTER)
- Opening command inside (Operates only on MASTER)
- Safety element Stop (I\_max < 800mA)
- Safety element Reversing (I\_max < 800mA)
- External program selector: 1 = Auto, 2 = Locked (Night), 3 = Manual (Manual), 4 = One Way (Exit)
- Motorsised lock or electric lock (I\_max < 800mA)
- Optionally: Feedback signal, motorsised lock or electric lock (Softswitch EI Fb NO/NC)
- Electric lock (I\_max < 800mA)
- Optionally: Feedback signal electric lock (Softswitch EI Fb NO/NC)

Stückliste	a	12*516/13.11.13	at	e	Gezeichnet	26.11.13	at	Ursprung:	WIRING DIAGRAM ETS 73 and ETS 64-R Master	Anlage: Double door, Closing sequence	Blatt-Nr. 4 Anz.Blatt 7	E4-0141-713d_ECO
Ohne sep.	b	13*029/05.06.15	at	f	Geprüft			Ersatz für:				
Sep. gl. Nr.	c	13*154/09.10.15	at	g								
Sep. and. Nr.	d	14*151/12.02.18	at	h	Freigegeben							

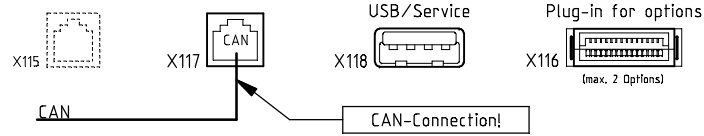
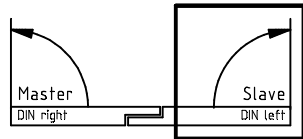
# ETS 73, ETS 64-R 0548-118

## Slave

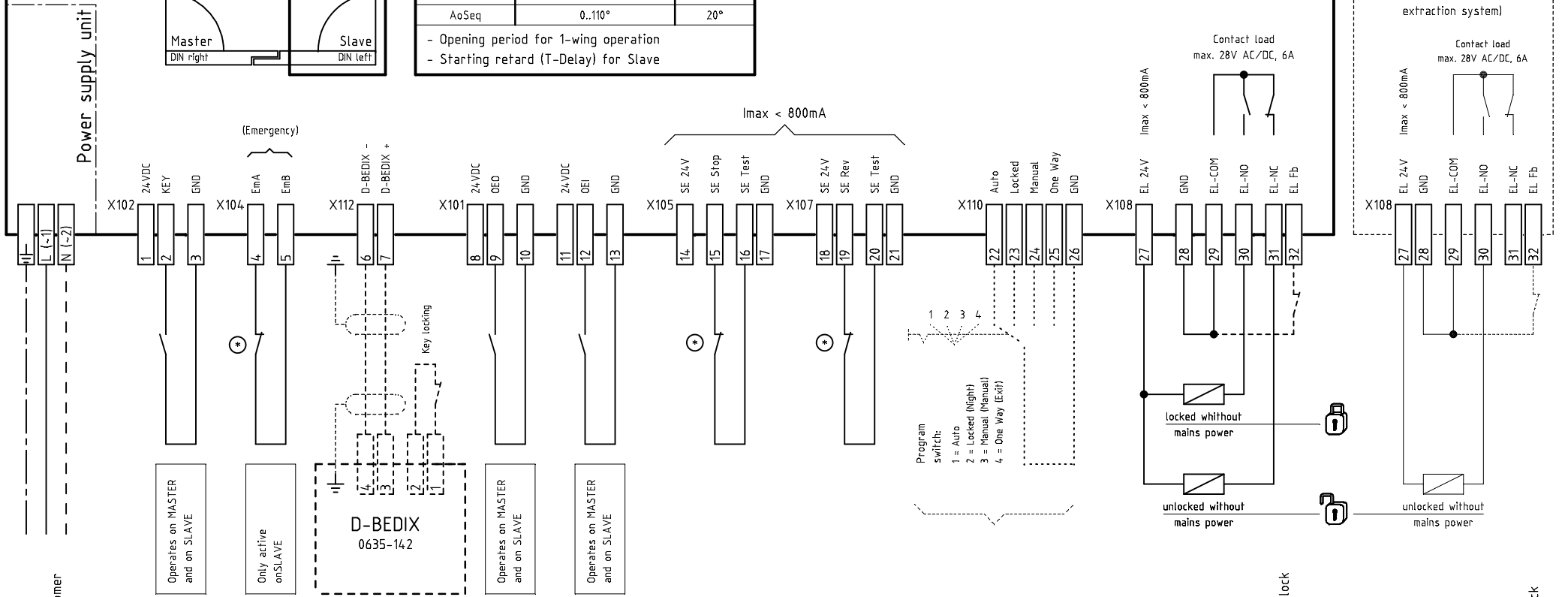
Total load +24V; max. 2A  
 \* If element is missing, put a jumper.

S L A V E		
Parameter:	Setting range:	Default:
DubleD	SlaveA (B)	OFF
AoSeq	0..110°	20°

- Opening period for 1-wing operation  
 - Starting retard (T-Delay) for Slave



Only for version "Inversed" with optional fire-protection PCB  
 Function RWA (Smoke and heat extraction system)

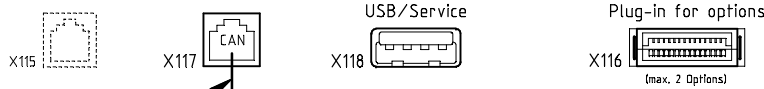


- Power supply 230V, 50Hz fuse 13A supplied by customer
- Operates on MASTER and on SLAVE
- Only active on SLAVE
- D-BEDIX 0635-142
- Operates on MASTER and on SLAVE
- Operates on MASTER and on SLAVE
- Safety element Stop
- Safety element Reversing
- External program selector:
  - 1 = Auto
  - 2 = Locked (Night)
  - 3 = Manual (Manual)
  - 4 = One Way (Exit)
- locked without mains power
- unlocked without mains power
- unlocked without mains power
- Motorised lock or electric lock
- Optionally: Feedback signal motorised lock or electric lock Softswitch EL Fb NO/NC
- Electric lock
- Optionally: Feedback signal electric lock Softswitch EL Fb NO/NC

# ETS 73, ETS 64-R 0548-118

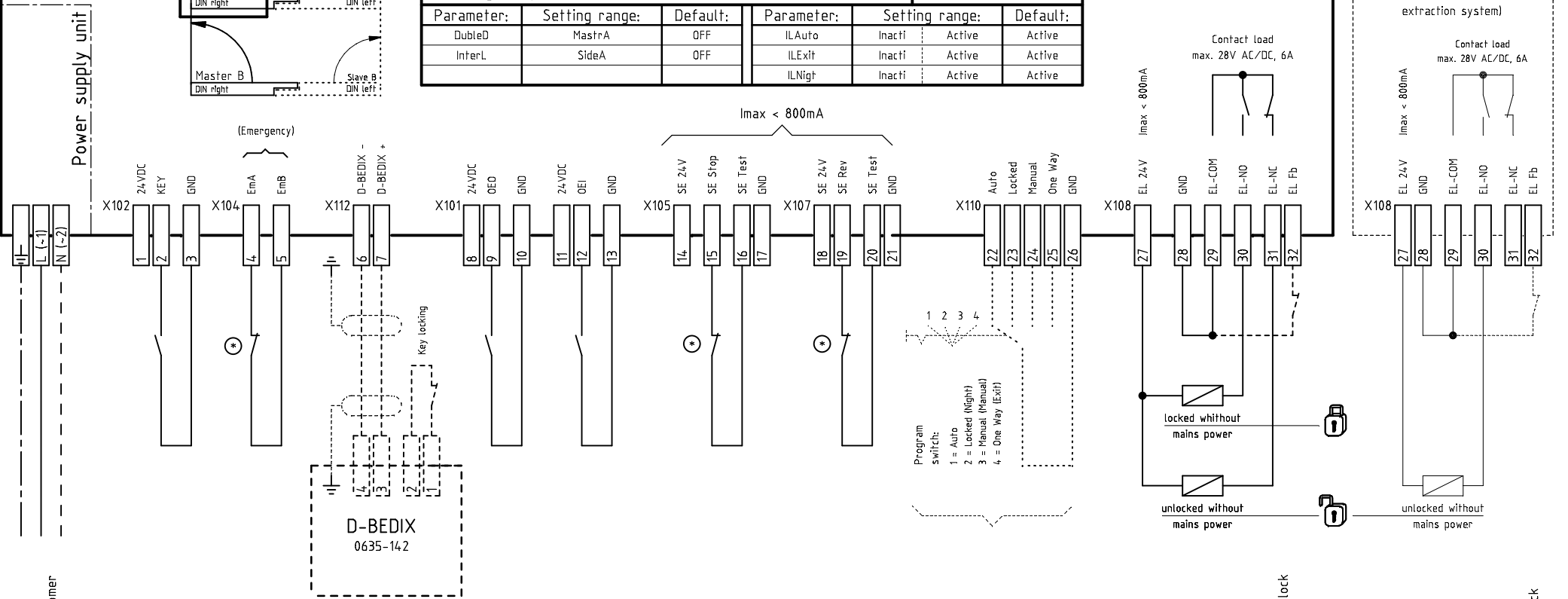
## Side A

Total load +24V; max. 2A  
 \* If element is missing, put a jumper.



Setting of parameters						S I D E A		
Parameter:	Setting range:	Default:	Parameter:	Setting range:	Default:			
DubleD	MastrA	OFF	ILAuto	Inacti	Active	Active		
InterL	SideA	OFF	ILExit	Inacti	Active	Active		
			ILNigh	Inacti	Active	Active		

Only for version  
 "Inversed" with  
 optional fire-  
 protection PCB  
 Function RWA  
 (Smoke and heat  
 extraction system)



Power supply 230V, 50Hz  
 fuse 13A supplied by customer

Key-operated switch

Emerg.-closing/-opening  
 Emergency Stop

Option D-BEDIX

Opening comand outside

Opening comand inside

Safety element  
 Stop

Safety element  
 Reversing

External program selector:

Program switch:  
 1 = Auto  
 2 = Locked (Night)  
 3 = Manual (Manual)  
 4 = One Way (Exit)

Motorsed lock  
 or electric lock

Optionally:  
 Feedback signal, motorsed lock  
 or electric lock  
 Softswitch EL Fb NO/NC

Electric lock

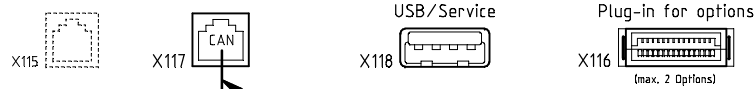
Optionally:  
 Feedback signal electric lock  
 Softswitch EL Fb NO/NC

Stückliste	a	12*516/13.11.13	at	e	Gezeichnet	26.11.13	at	Ursprung:	WIRING DIAGRAM ETS 73 and ETS 64-R Side A	Anlage:	Interlock-system	Blatt-Nr. 6 Anz.Blatt 7	E4-0141-713d_ECO
Ohne sep.	b	13*029/05.06.15	at	f	Geprüft			Ersatz für:					
Sep. gl. Nr.	c	13*154/09.10.15	at	g									
Sep. and. Nr.	d	14*151/12.02.18	at	h	Freigegeben								

# ETS 73, ETS 64-R 0548-118

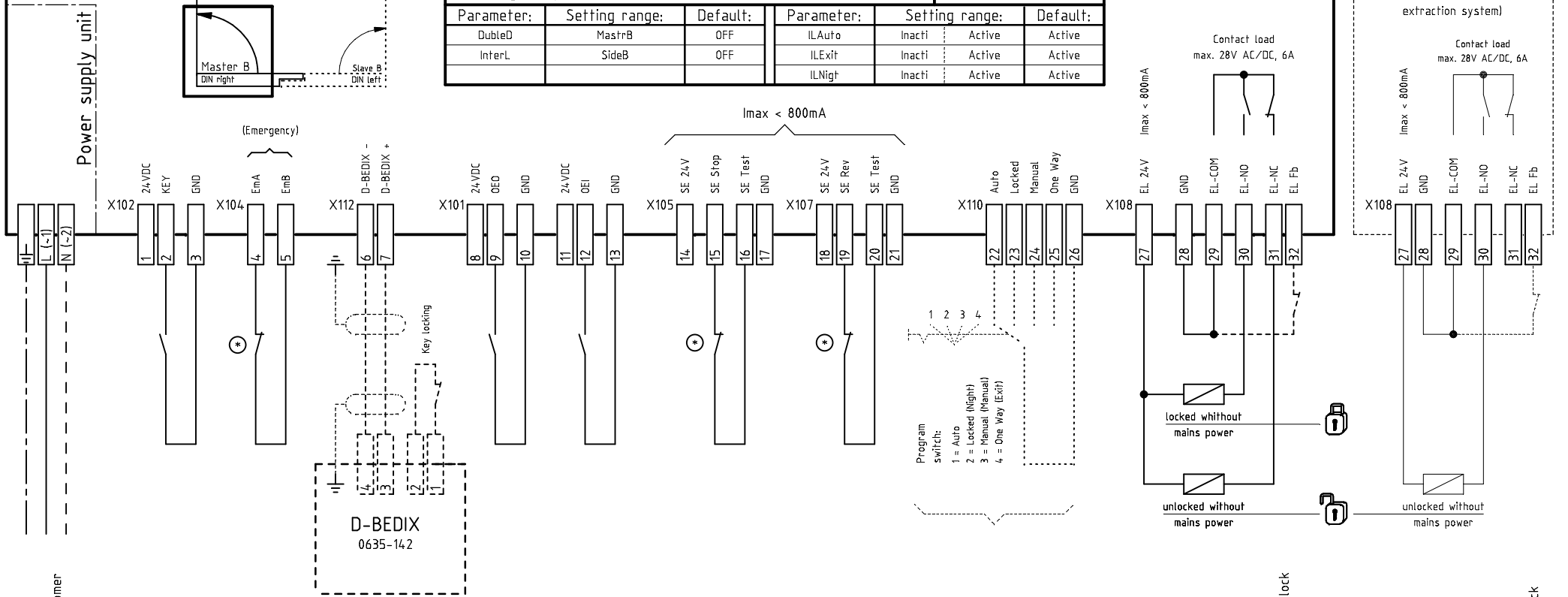
## Side B

Total load +24V: max. 2A  
 \* If element is missing, put a jumper.



Setting of parameters						S I D E B		
Parameter:	Setting range:	Default:	Parameter:	Setting range:	Default:			
DubleD	MastrB	OFF	ILAuto	Inacti	Active	Active		
InterL	SideB	OFF	ILExit	Inacti	Active	Active		
			ILNigt	Inacti	Active	Active		

Only for version "Inversed" with optional fire-protection PCB  
 Function RWA (Smoke and heat extraction system)



- Power supply 230V, 50Hz fuse 13A supplied by customer
- Key-operated switch
- Emerg.-closing/-opening Emergency Stop
- Option D-BEDIX
- Opening comand outside
- Opening comand inside
- Safety element Stop
- Safety element Reversing
- External program selector:
- Motorised lock or electric lock
- Optionally: Feedback signal motorised lock or electric lock Softswitch EL Fb NO/NC
- Electric lock
- Optionally: Feedback signal electric lock Softswitch EL Fb NO/NC

Stückliste	a	12'516/13.11.13	at	e	Gezeichnet	26.11.13	at	Ursprung:	WIRING DIAGRAM ETS 73 and ETS 64-R Side B	Anlage: Interlock-system	Blatt-Nr. 7 Anz.Blatt 7	E4-0141-713d_ECO
Ohne sep.	b	13'029/05.06.15	at	f	Geprüft			Ersatz für:				
Sep. gl. Nr.	c	13'154/09.10.15	at	g								
Sep. and. Nr.	d	14'151/12.02.18	at	h	Freigegeben							

1

2

3

4

5

6

7

8



ECO

ECO Schulte GmbH & Co. KG  
Iserlohner Landstrasse 89  
D-58706 Menden

Optional fire-protection PCB for ETS 64-R

Notes description

Diagram drawn: door is closed; mains off

\* If element is missing, put a jumper.

! Total load +24V: Max. 0.2A

Stückliste		a	12'588/17.02.14 al	e	14'673/21.10.19 al	Gezeichnet	02.04.13 al	Ursprung:	
Ohne sep.	<input checked="" type="checkbox"/>	b	12'697/16.06.14 al	f		Geprüft		E4-140207-100	
Sep. gl. Nr.	<input type="checkbox"/>	c	13'006/12.05.15 al	g		Freigegeben		Ersatz für:	
Sep. and. Nr.	<input type="checkbox"/>	d	13'662/12.12.16 al	h					

WIRING DIAGRAM  
Optional fire-protection PCB for ETS 64-R

Anlage:

Blatt-Nr. 0  
Anz.Blatt 2

E4-0141-714e\_ECO



# ETS 64-R

## with pot.-free contact

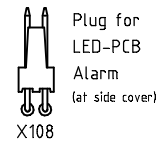
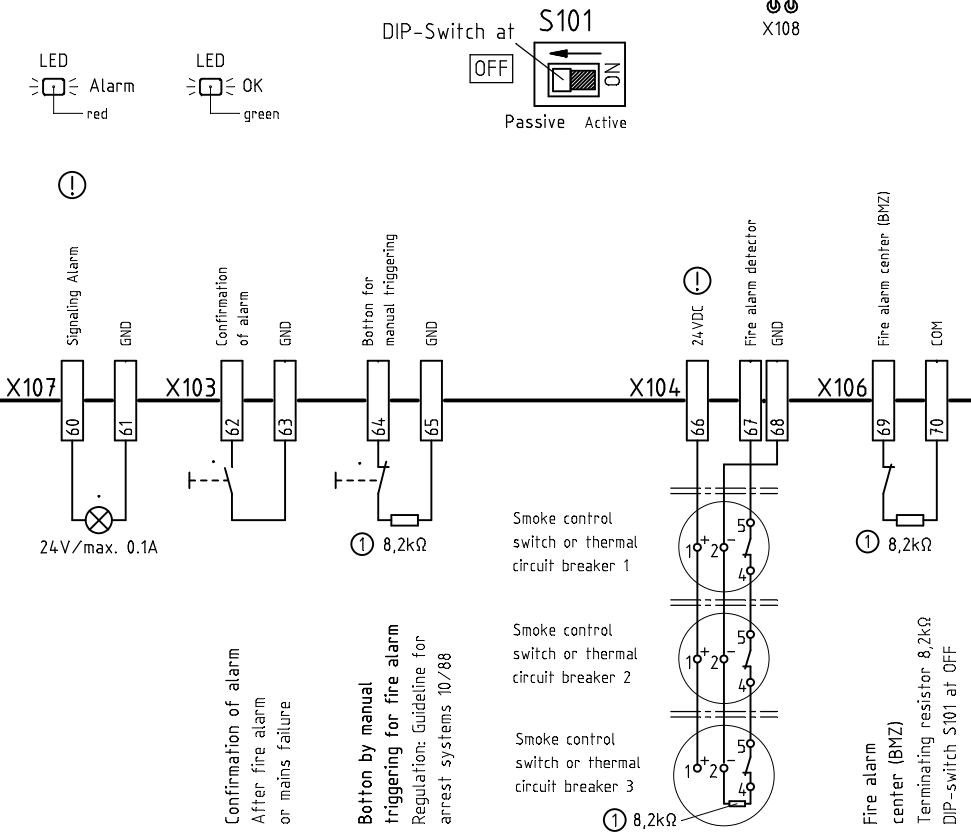
# Optional fire-protection PCB

for the connection to a fire alarm center with pot.-free contact

**Note:** Optionally all elements can be connected also on SLAVE (or in a mixed way on MASTER and on SLAVE).

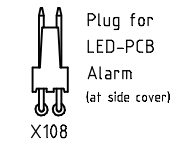
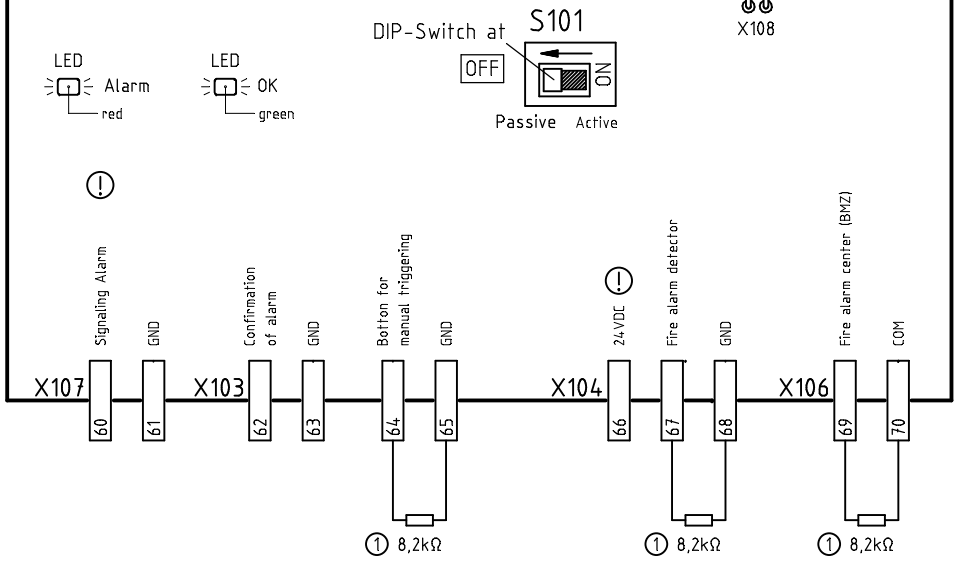
### MASTER Optional fire-protection PCB for ETS 64-R 0548-217

(for bi-parting drive unit)



### SLAVE Optional fire-protection PCB for ETS 64-R 0548-217

(for bi-parting drive unit)



Only for bi-paring installations

⚠ Total load +24V: Max. 0.2A

⚠ A terminating resistor of 8,2kΩ is necessary (monitoring of cable)

Stückliste	a	12'588/17.02.14	e	14'673/21.10.19	al	Gezeichnet	02.04.13	al	Ursprung:
Ohne sep.	b	12'697/16.06.14	f			Geprüft			E4-14.0207-100
Sep. gl. Nr.	c	13'006/12.05.15	g			Freigegeben			Ersatz für:
Sep. and. Nr.	d	13'662/12.12.16	h						

WIRING DIAGRAM  
ETS 64-R Optional fire-protection PCB  
with pot.-free contact

Anlage:	
	Blatt-Nr. 1 Anz. Blatt 2
E4-0141-714e_ECO	

# ETS 64-R

with 24V/48V signal

# Optional fire-protection PCB

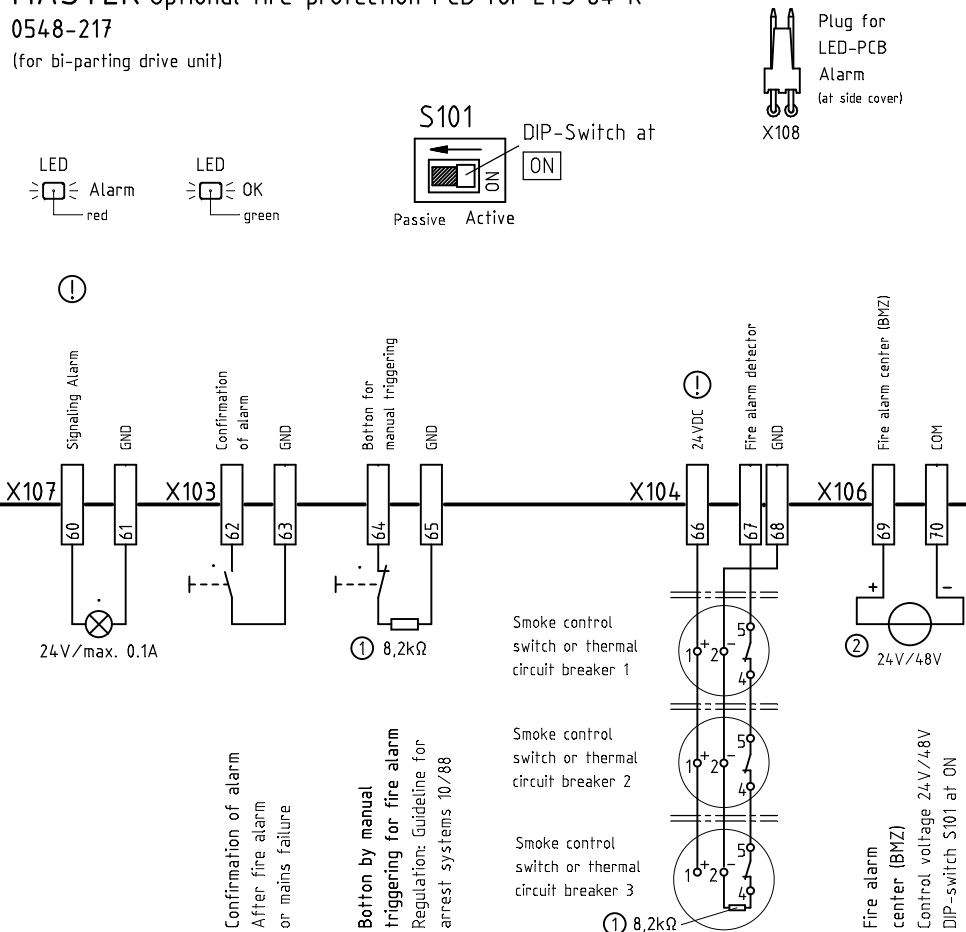
for the connection to a fire alarm center with 24V/48V signal

**Note:**

Optionally all elements can be connected also on SLAVE (or in a mixed way on MASTER and on SLAVE).

## MASTER Optional fire-protection PCB for ETS 64-R 0548-217

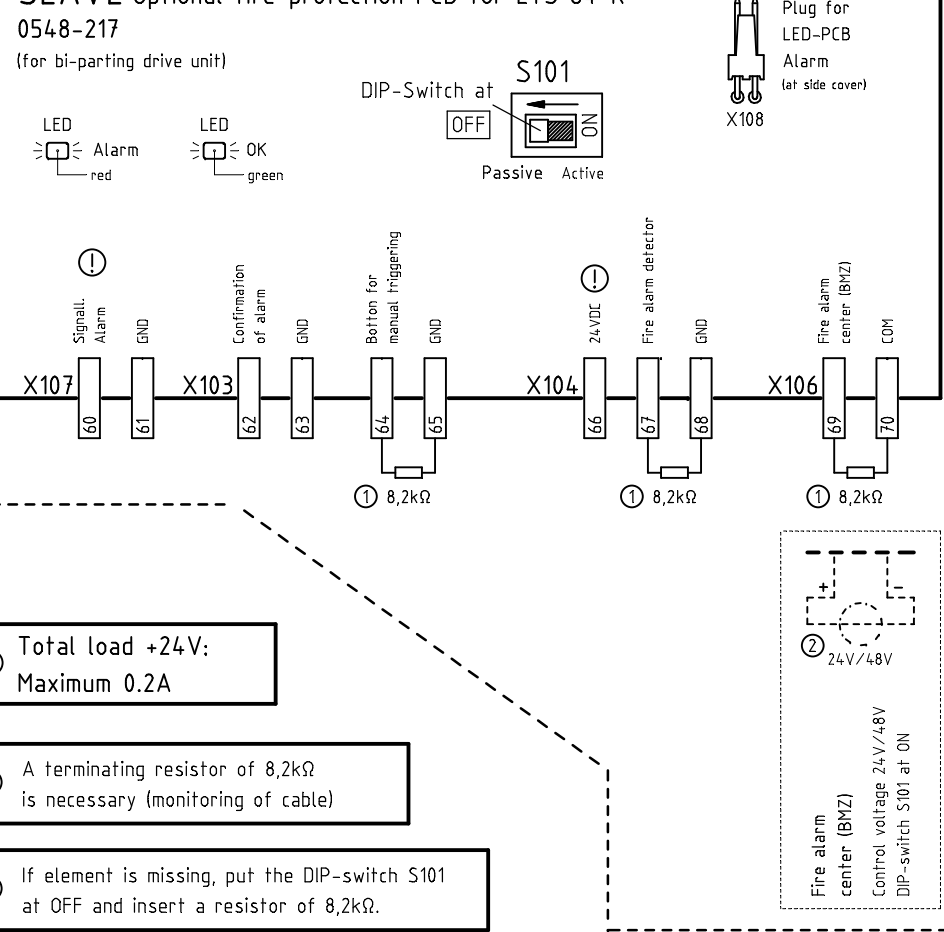
(for bi-parting drive unit)



## Only for bi-paring installations

## SLAVE Optional fire-protection PCB for ETS 64-R 0548-217

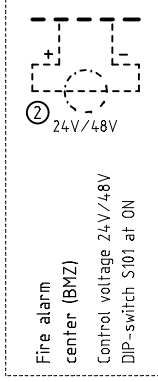
(for bi-parting drive unit)



① Total load +24V: Maximum 0.2A

① A terminating resistor of 8,2kΩ is necessary (monitoring of cable)

② If element is missing, put the DIP-switch S101 at OFF and insert a resistor of 8,2kΩ.



Stückliste	a	12'588/17.02.14	al	Gezeichnet	02.04.13	al	Ursprung:	
Ohne sep.	b	12'697/16.06.14	al	Geprüft			E4-140207-100	
Sep. gl. Nr.	c	13'006/12.05.15	al				Ersatz für:	
Sep. and. Nr.	d	13'662/12.12.16	al	Freigegeben				

WIRING DIAGRAM  
ETS 64-R Opt. fire-protection PCB  
with 24V/48V signal

Anlage:		Blatt-Nr. 2	E4-0141-714e_ECO
		Anz.Blatt 2	



**ECO**

ECO Schulte GmbH & Co. KG  
 Iserlohner Landstrasse 89  
 D-58706 Menden

Optional relay PCB for  
 drive mechanism of swing door ETS 73

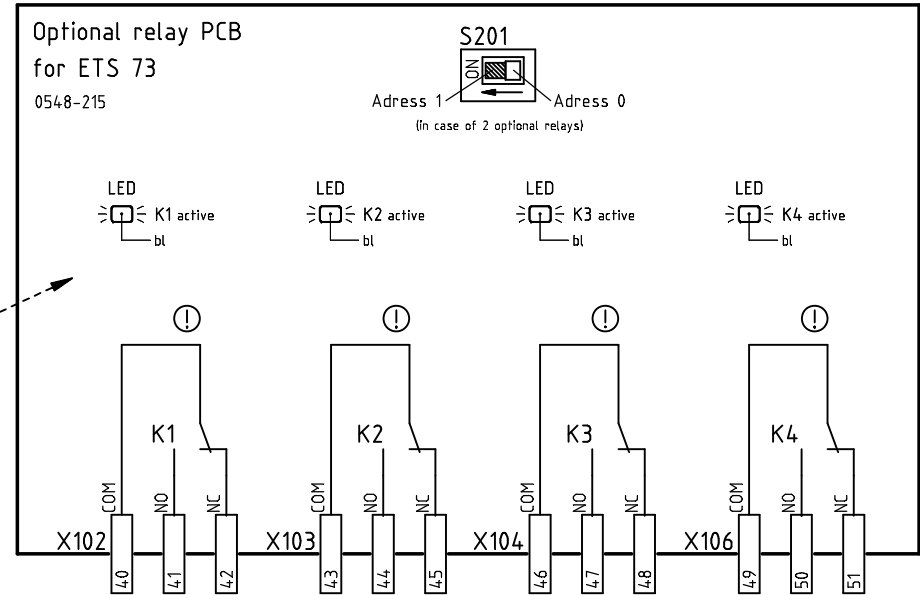
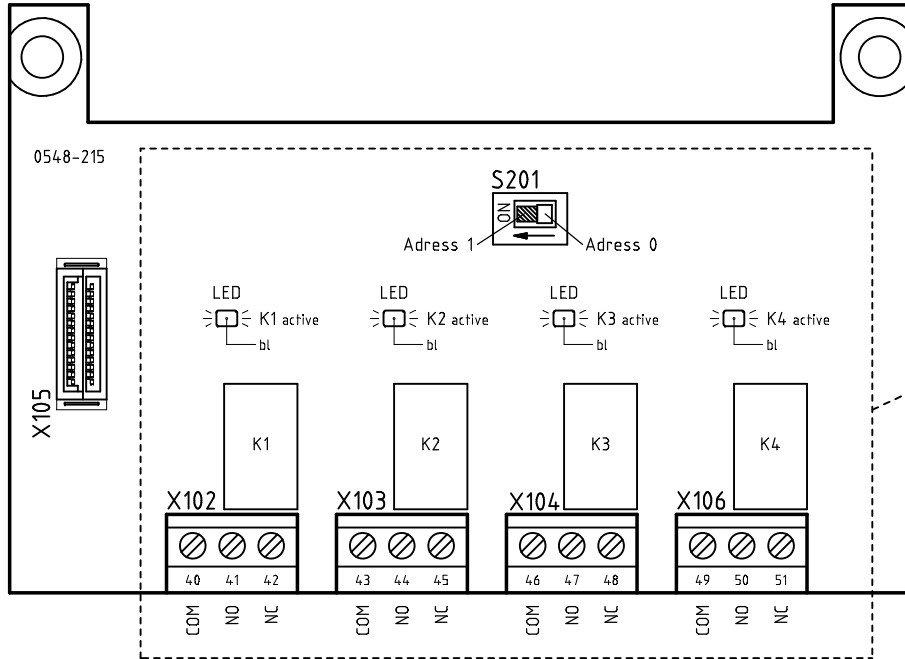
Notes description

- |  |
|--|
| Diagram drawn: door is closed; mains off |
| ⊛ If element is missing, put a jumper.   |
| ⌚ Total load +24V: Max. 2A               |

Stückliste		a	E4-0141-715a_	e	Gezeichnet	25.09.13 at	Ursprung:	WIRING DIAGRAM	Anlage:
Ohne sep.	<input checked="" type="checkbox"/>	b		f	Geprüft		Ersatz für:	Optional relay PCB for	
Sep. gl. Nr.	<input type="checkbox"/>	c		g	Freigegeben			drive mechanism of swing door ETS 73	
Sep. and. Nr.	<input type="checkbox"/>	d		h					Blatt-Nr. 0 Anz.Blatt 1

# Optional relay PCB for ETS 73 0548-215

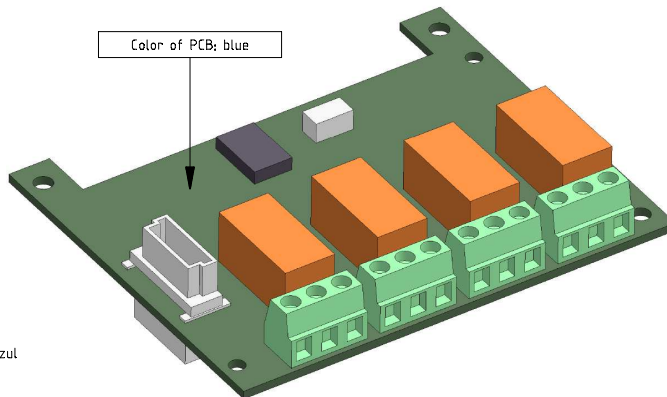
⚠ Contact load in case of 30VDC; 5A ohmic



**X105**  
Plug-in for options  
(one further option)

**S201**  
Address  
(in case of 2 optional relays)

Color LED:  
bl / blau / bleu / blu / blue / azul



Stückliste	a	E4-0141-715a_	e	Gezeichnet	25.09.13 at	Ursprung:
Ohne sep.	b		f	Geprüft		Ersatz für:
Änd.	c		g	Freigegeben		
Sep. gl. Nr.	d		h			
Sep. and. Nr.						

WIRING DIAGRAM  
Optional relay PCB for  
drive mechanism of swing door ETS 73

Anlage:

11

12

13

14

15

16

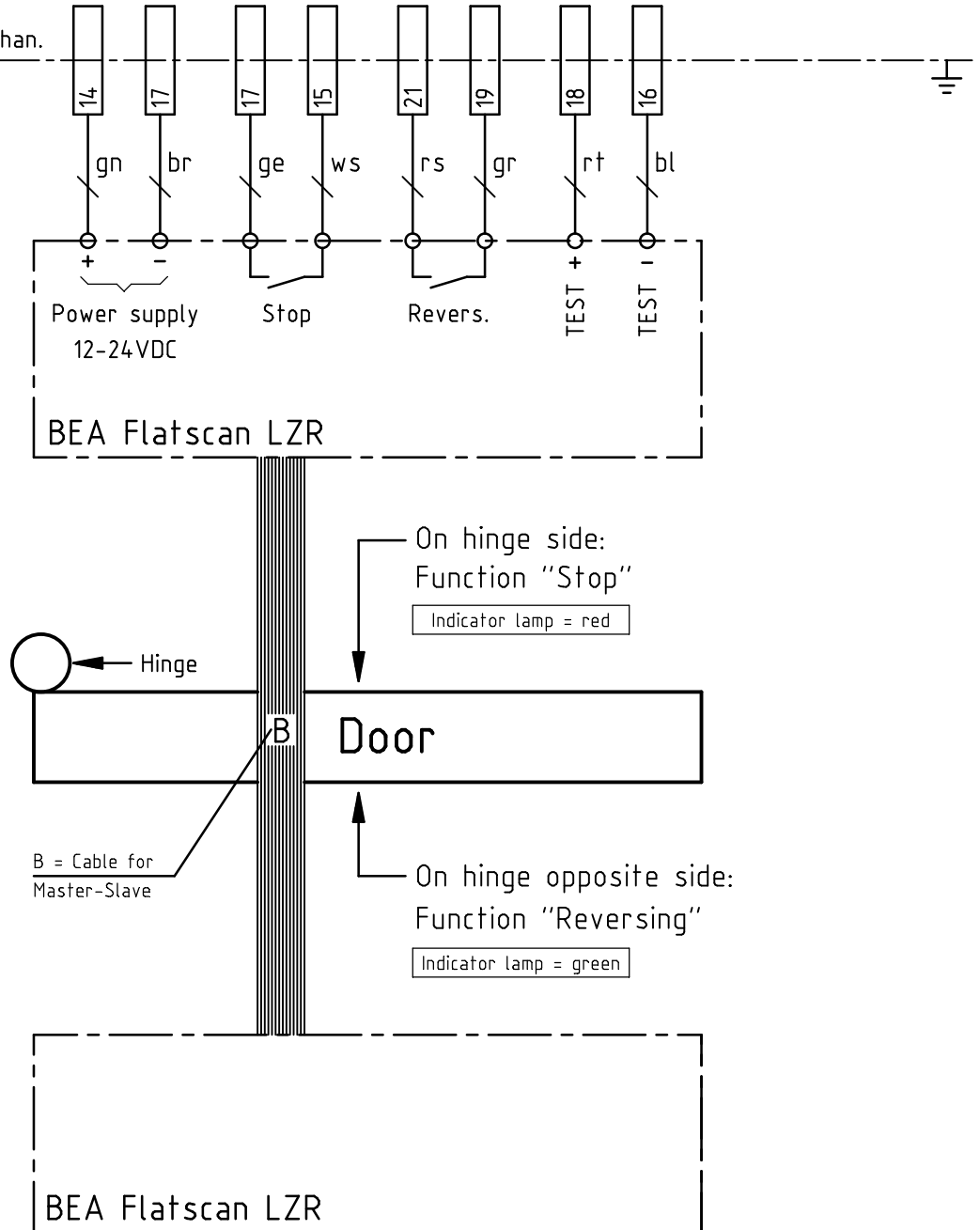
17

18

# BEA Flatscan LZR

Terminals on drive mechan.

ETS 73 / ETS 64-R



## Legend:

gn / grün / vert / verde / green / verde  
br / braun / brun / marrone / brown / marrón

ge / gelb / jaune / giallo / yellow / amarillo  
ws / weiss / blanc / bianco / white / blanco  
rs / rosa / rose / rosa / pink / rosa

gr / grau / gris / grigio / grey / gris  
rt / rot / rouge / rosso / red / rojo  
bl / blau / bleu / blu / blue / azul

Ohne sep. Stückliste Sep. Stückliste gleicher Nr. Sep. Stückliste anderer Nr. 

Änd.

a  
b  
c  
d

Änd.

e  
f  
g  
h

Gezeichnet

31.08.16

al

Ursprung:

0142-146\_ECO/-148b

Massstab:

Geprüft

Normgeprüft

Freigegeben

Ersatz für:

Anlage:

Auftrags-Nr.

0142

Blatt-Nr. 1

Anz.Blatt 1



ECO Schulte GmbH & Co. KG  
Iserlohner Landstrasse 89  
D-58706 Menden

Supplementary page

BEA Flatscan LZR for drive mechanism

ETS 73 / ETS 64-R

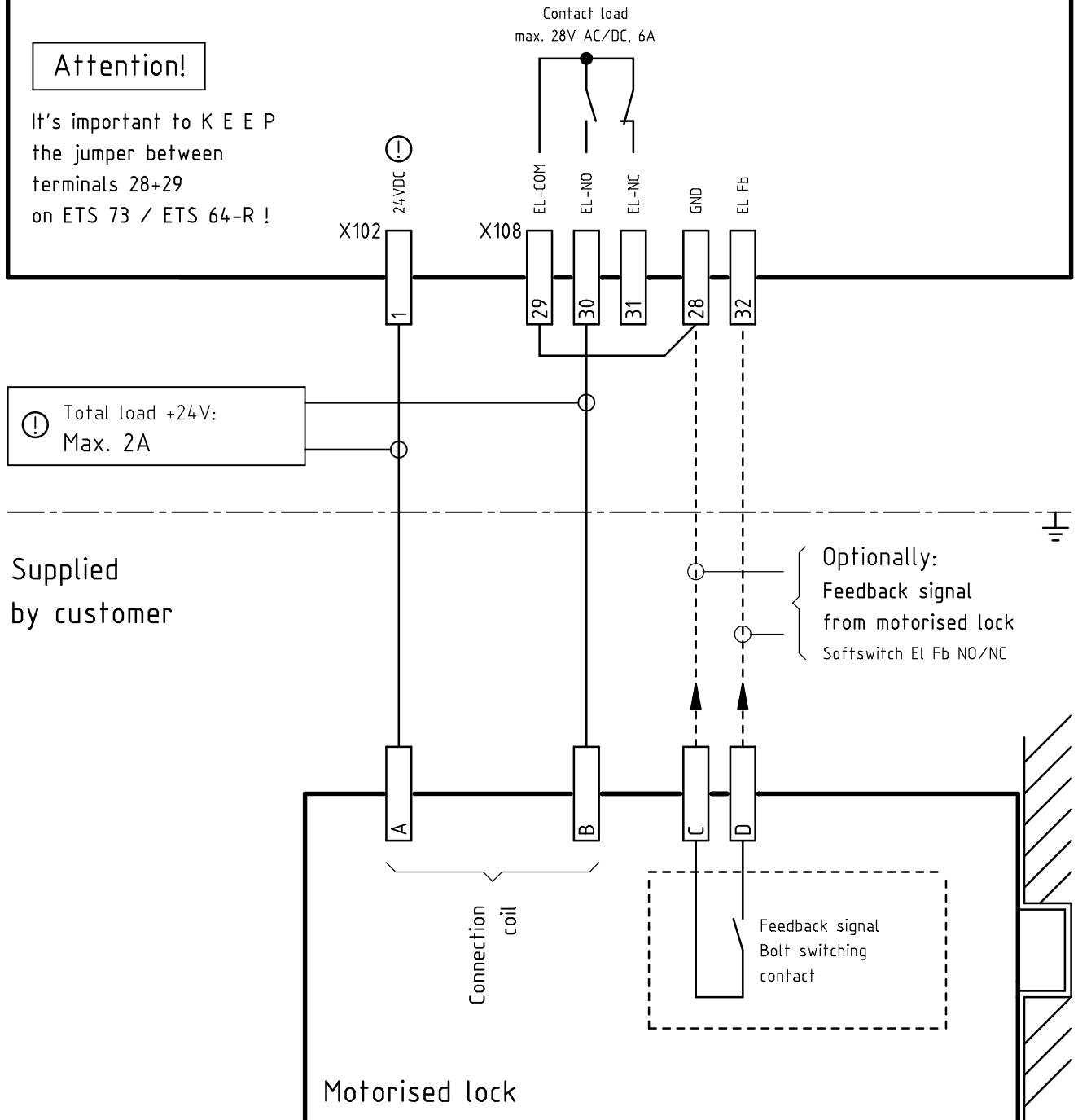
E4-0142-149\_ECO

## Motorised locks with direct connection of coil

### Control unit ETS 73 / ETS 64-R

#### Attention!

It's important to K E E P  
the jumper between  
terminals 28+29  
on ETS 73 / ETS 64-R !



Ohne sep. Stückliste	<input checked="" type="checkbox"/>	a	13'491/31.08.16 al	e		Gezeichnet	30.08.16 al	Ursprung:	Massstab:
Sep. Stückliste gleicher Nr.	<input type="checkbox"/>	b		f		Geprüft		E4-0142-180a	
Sep. Stückliste anderer Nr.	<input type="checkbox"/>	c		g		Normgeprüft		Ersatz für:	
		d		h		Freigegeben			

Anlage:

Auftrags-Nr.  
0142Blatt-Nr. 1  
Anz.Blatt 3

ECO Schulte GmbH & Co. KG  
Iserlohner Landstrasse 89  
D-58706 Menden

Supplementary page  
Motorised locks  
with direct connection of coil

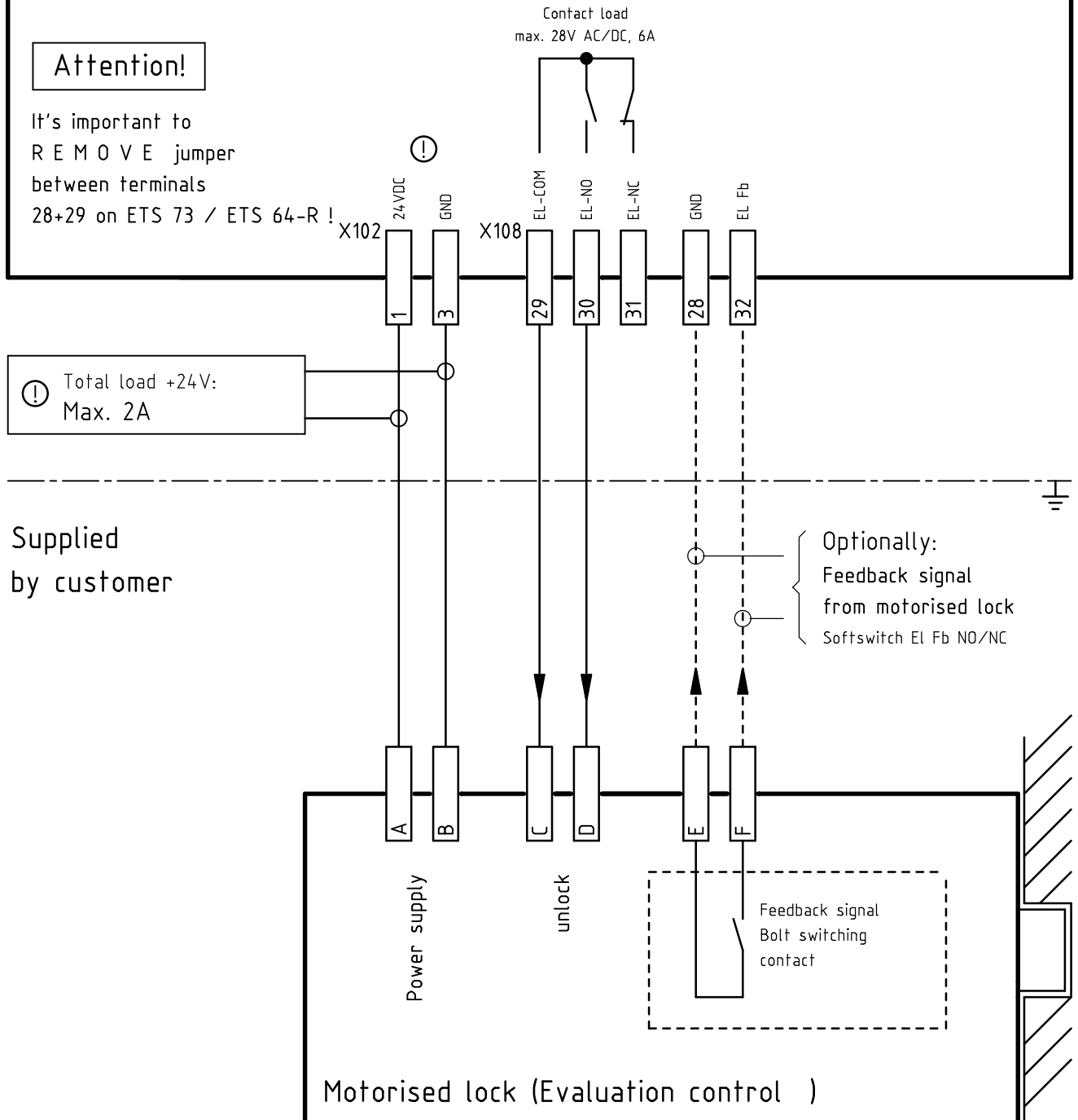
E4-0142-180a\_ECO

# Motorised locks with its own evaluation control

## Control unit ETS 73 / ETS 64-R

### Attention!

It's important to  
REMOVE jumper  
between terminals  
28+29 on ETS 73 / ETS 64-R!



Ohne sep. Stückliste	<input checked="" type="checkbox"/>	a	13'491/31.08.16 al	e		Gezeichnet	30.08.16 al	Ursprung:	Massstab:
Sep. Stückliste gleicher Nr.	<input type="checkbox"/>	b		f		Geprüft		E4-0142-180a	
Sep. Stückliste anderer Nr.	<input type="checkbox"/>	c		g		Normgeprüft	-----	Ersatz für:	
		d		h		Freigegeben			

Anlage:

Auftrags-Nr.  
0142Blatt-Nr. 2  
Anz.Blatt 3

ECO Schulte GmbH & Co. KG  
Iserlohner Landstrasse 89  
D-58706 Menden

Supplementary page  
Motorised locks  
with its own evaluation control

E4-0142-180a\_ECO

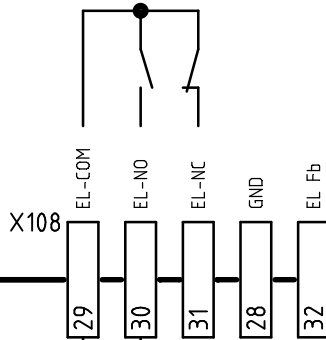
# Motorised locks with apart evaluation control and separate power supply

## Control unit ETS 73 / ETS 64-R

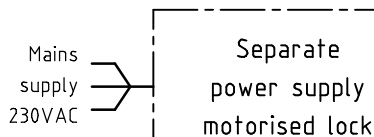
### Attention!

It's important to  
R E M O V E jumper  
between terminals  
28+29 on ETS 73 / ETS 64-R !

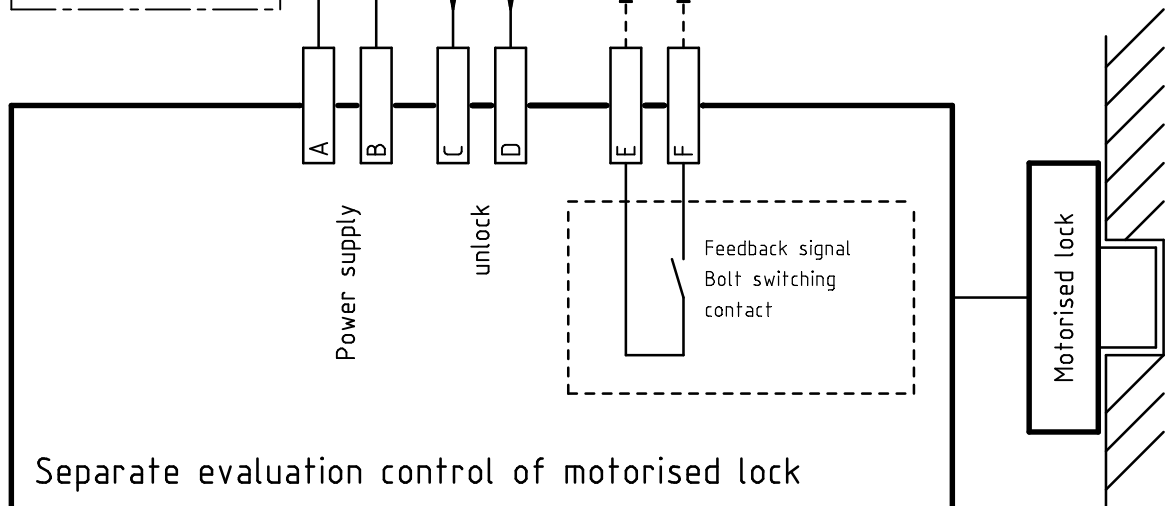
Contact load  
max. 28V AC/DC, 6A



Supplied  
by customer



Optionally:  
Feedback signal  
from motorised lock  
Softswitch El Fb NO/NC



Separate evaluation control of motorised lock

Ohne sep. Stückliste	<input checked="" type="checkbox"/>	a	13'491/31.08.16 al	e	Gezeichnet	30.08.16 al	Ursprung:	Massstab:
Sep. Stückliste gleicher Nr.	<input type="checkbox"/>	b		f	Geprüft		E4-0142-180a	
Sep. Stückliste anderer Nr.	<input type="checkbox"/>	c	Änd.	g	Normgeprüft	-----	Ersatz für:	
		d		h	Freigegeben			

Anlage:

Auftrags-Nr.  
0142

Blatt-Nr. 3  
Anz.Blatt 3



ECO Schulte GmbH & Co. KG  
Iserlohner Landstrasse 89  
D-58706 Menden

Supplementary page  
Motorised locks with apart evaluation control  
and separated power supply

E4-0142-180a\_ECO