

Specifications Elan 45R Black

Elan Heated Towel Ladder

Model: 45R - Round

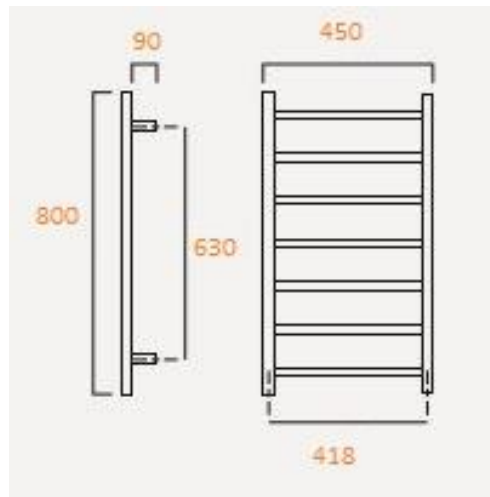
Code: ELA-9A05 (dual wiring)

Measurements

800H x 450W x 90Dmm

Width Centres 418mm

Vertical Centres 630mm



Features

7 Rails

Black

Quality Stainless Steel

Dual Wiring

Concealed or Exposed Wiring

Electrical Specifications

230-240v Volts ac, 50Hz

60 Watts

IP Rating 55

Complies to Standards

AS/NZS 60335.1.2012