

## Specifications Elan 60R Black

### Elan Heated Towel Ladder

**Model:** 60R - Round

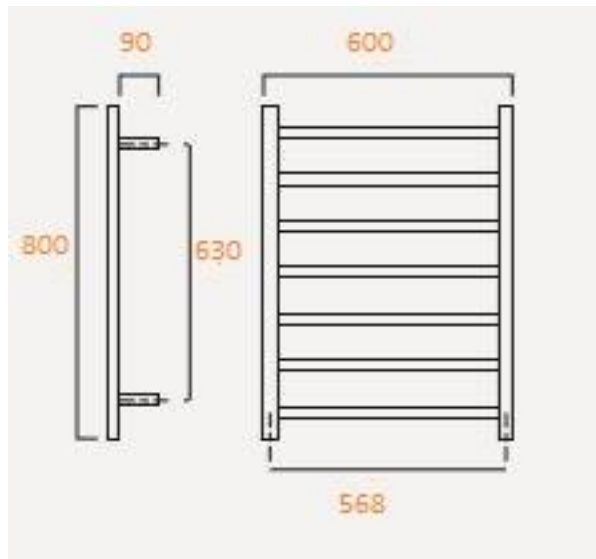
**Code:** ELA-9A08 (dual wiring)

### Measurements

800H x 600W x 90Dmm

Width Centres 568mm

Vertical Centres 630mm



### Features

7 Rails

Black

Quality Stainless Steel

Dual Wiring

Concealed or Exposed Wiring

### Electrical Specifications

230-240v Volts ac, 50Hz

80 Watts

IP Rating 55

Complies to Standards

AS/NZS 60335.1.2012