



FritsJurgens®

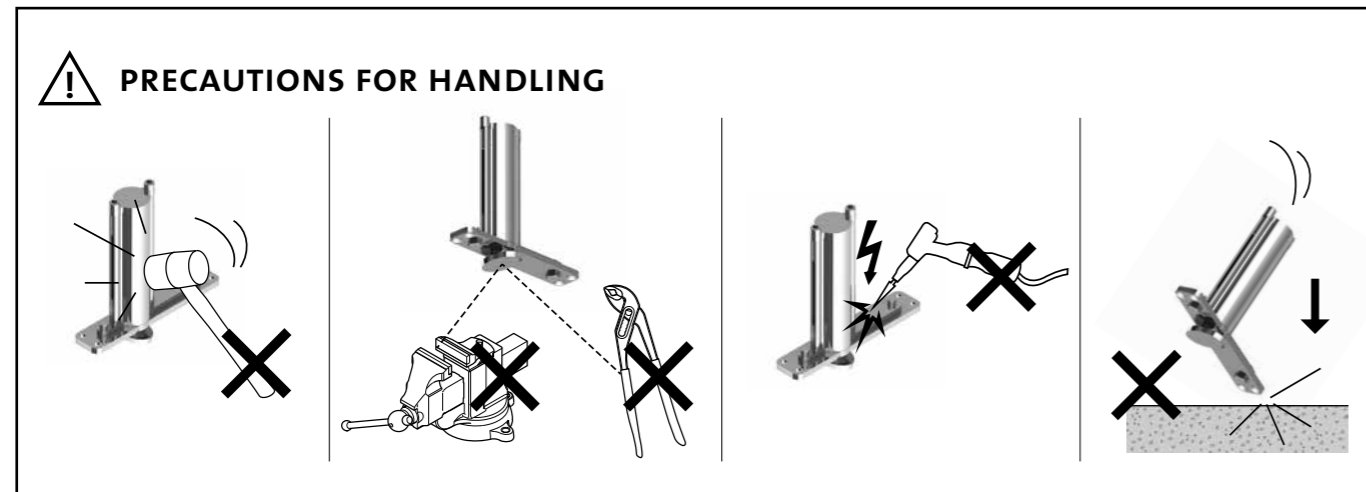
FritsJurgens Pivot Door System

# System3

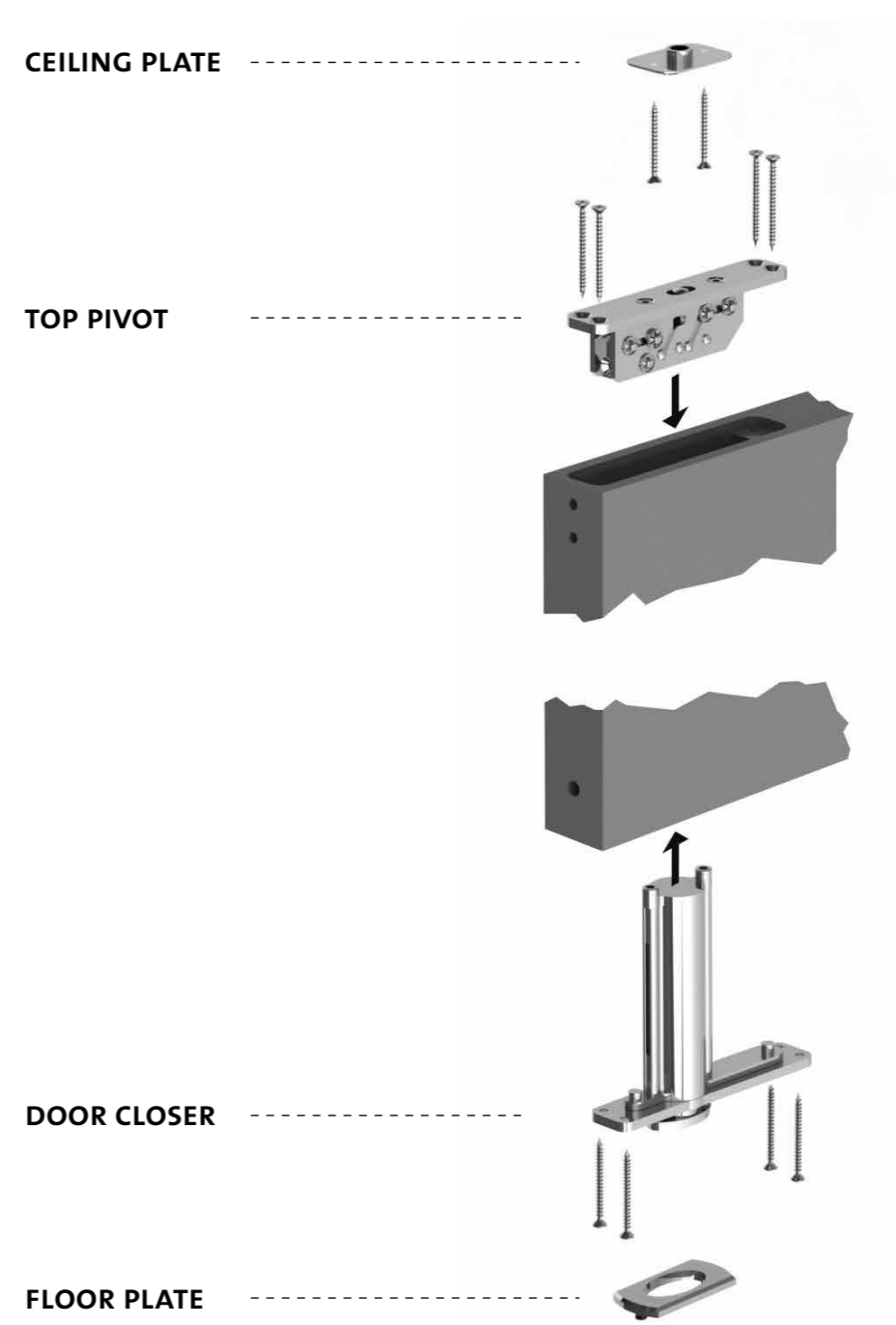
MOUNTING MANUAL  
2015-06

# INDEX

SITUATION	3
MILLING DRAWING	4
COMPONENTS	6
MANUAL	8



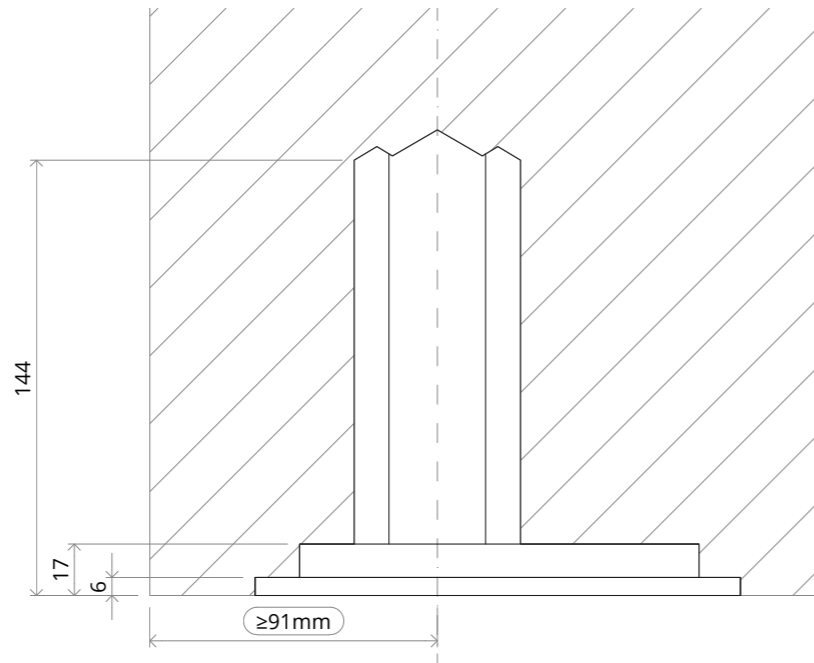
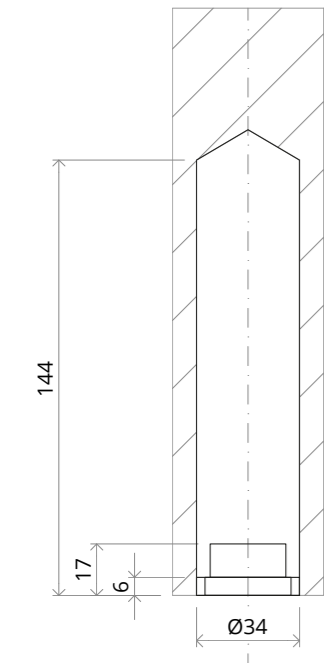
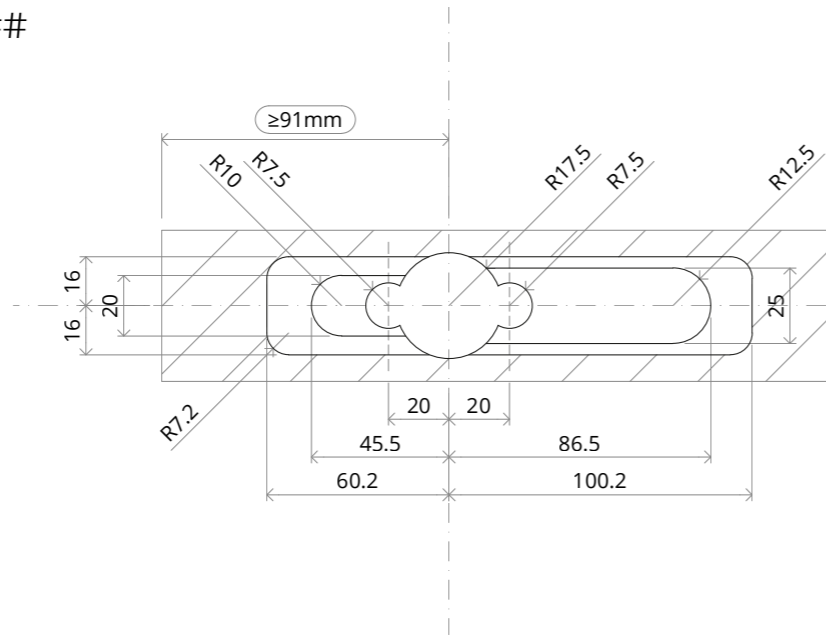
# SITUATION



# MILLING DRAWING

## DOOR CLOSER

FRITSJURGENS MPDS-S80 RVS 90##

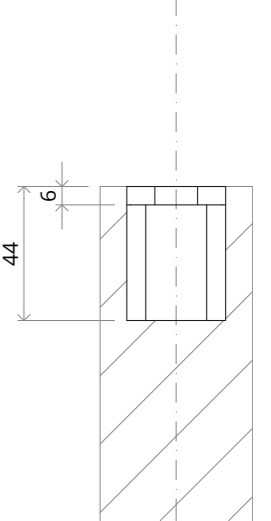
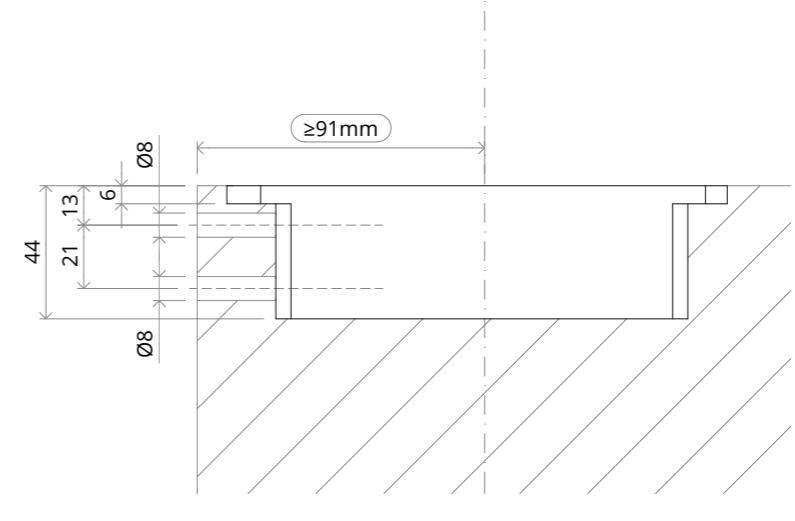
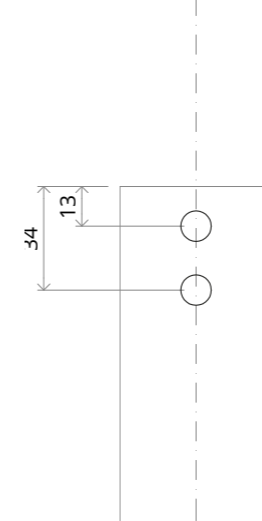
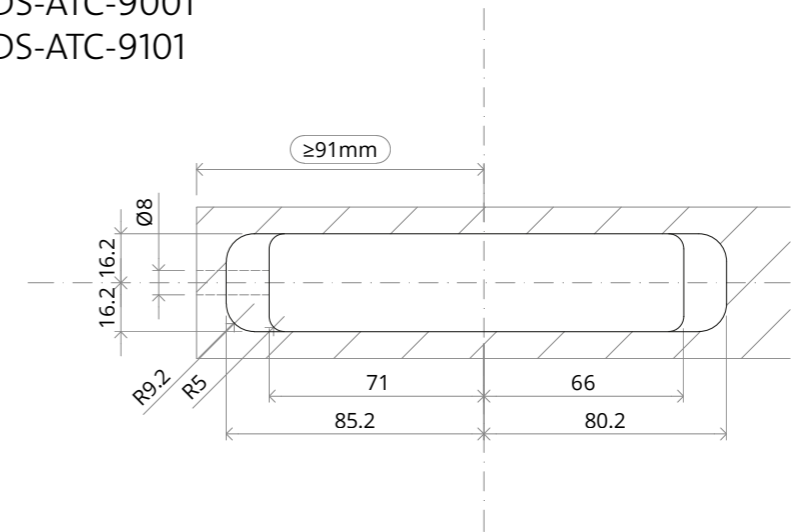


# MILLING DRAWING

## TOP PIVOT

FRITSJURGENS MPDS-ATC-9001

FRITSJURGENS MPDS-ATC-9101



## COMPONENTS



### DOOR CLOSER

FRITSJURGENS MPDS-S80 RVS 9016  
FRITSJURGENS MPDS-S80 RVS 9020  
FRITSJURGENS MPDS-S80 RVS 9024  
FRITSJURGENS MPDS-S80 RVS 9028

	9016	= ≥ 650mm		9016	= ≤ 40kg
	9020	= 650 - 800mm		9020	= ≤ 70kg
	9024	= 800 - 1000mm		9024	= ≤ 110kg
	9028	= 1000 - 1500mm		9028	= ≤ 200kg



### TOP PIVOT

FRITSJURGENS MPDS-ATC-9001  
FRITSJURGENS MPDS-ATC-9101 \*

\* Part deviates from picture



### FLOOR PLATE

FRITSJURGENS VP 80x40-B11 RVS  
FRITSJURGENS VPR 80-B01 RVS \*  
FRITSJURGENS VP 82x52-B01 RVS \*

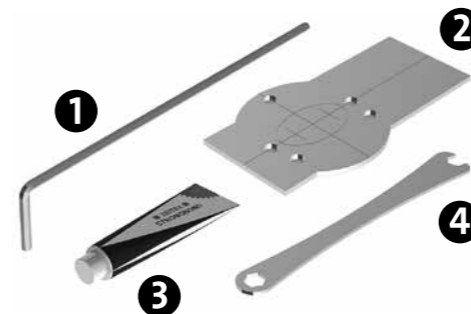
\* Part deviates from picture



### CEILING PLATE

FRITSJURGENS PP 40x60-B11 RVS  
FRITSJURGENS PPR 80-B01 RVS \*  
FRITSJURGENS PP 40x60-B9101 \*

\* Part deviates from picture

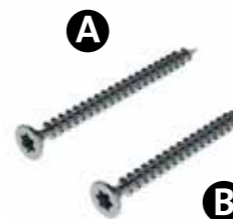


### MOUNTING PACKAGE

FRITSJURGENS MP F-M SERIES

1. Allen wrench
2. Fitting template
3. Fitting adhesive \*
4. Adjustment spanner

\* For bro's floors use chemical mortar



### SCREWS

FRITSJURGENS FASTENING

- A. Screw 6 x 60 RVS (2x)  
B. Screw 4 x 50 RVS (8x)

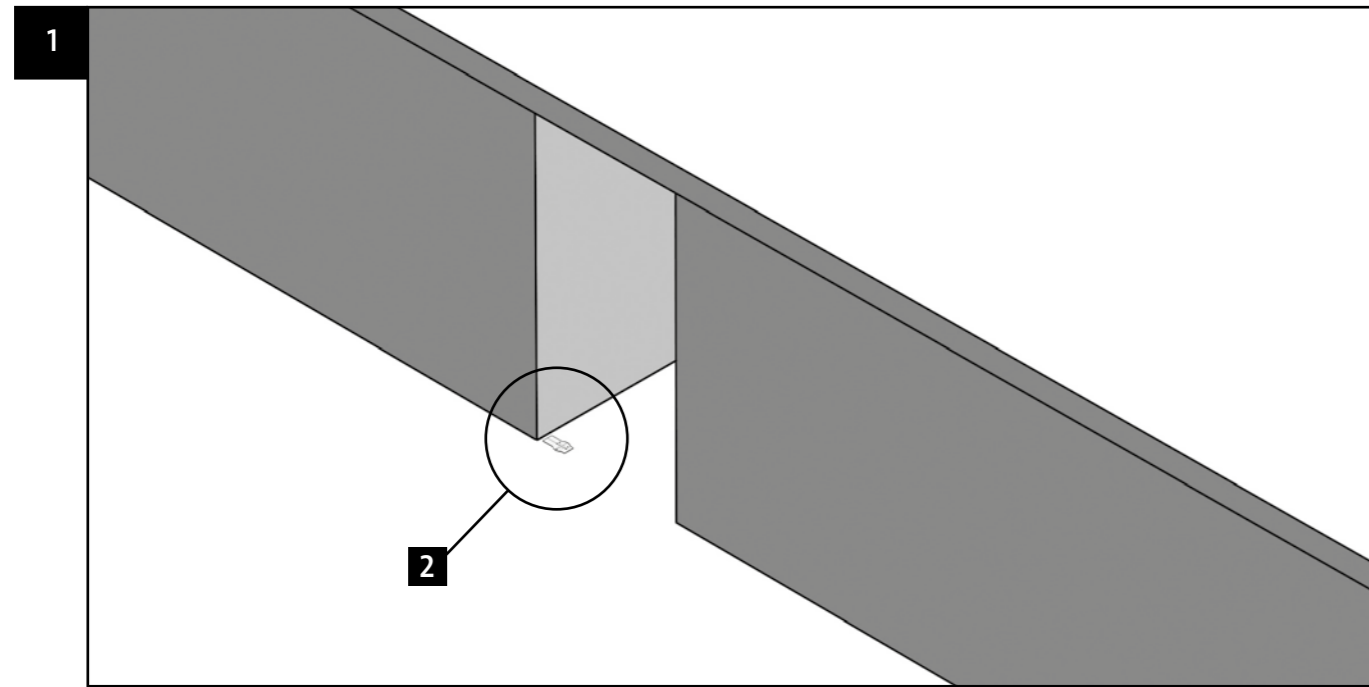


IMAGE FJ01

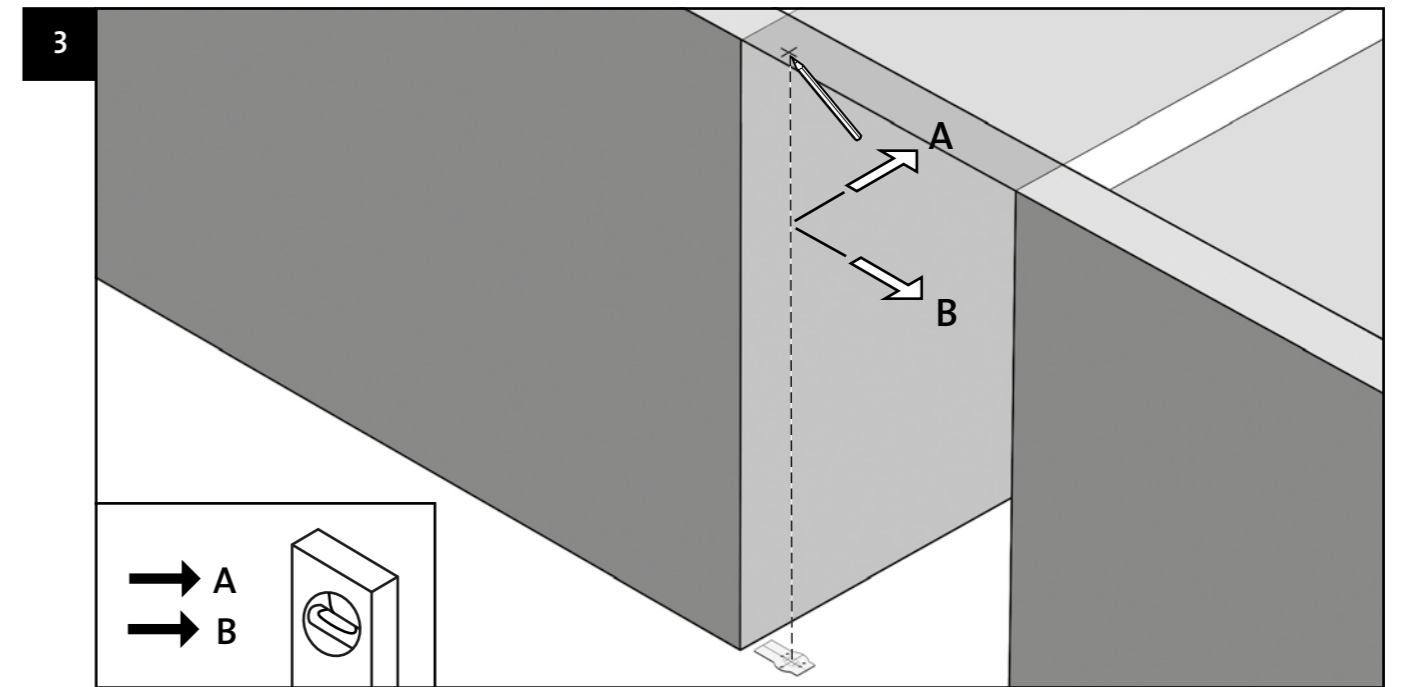


IMAGE FJ03

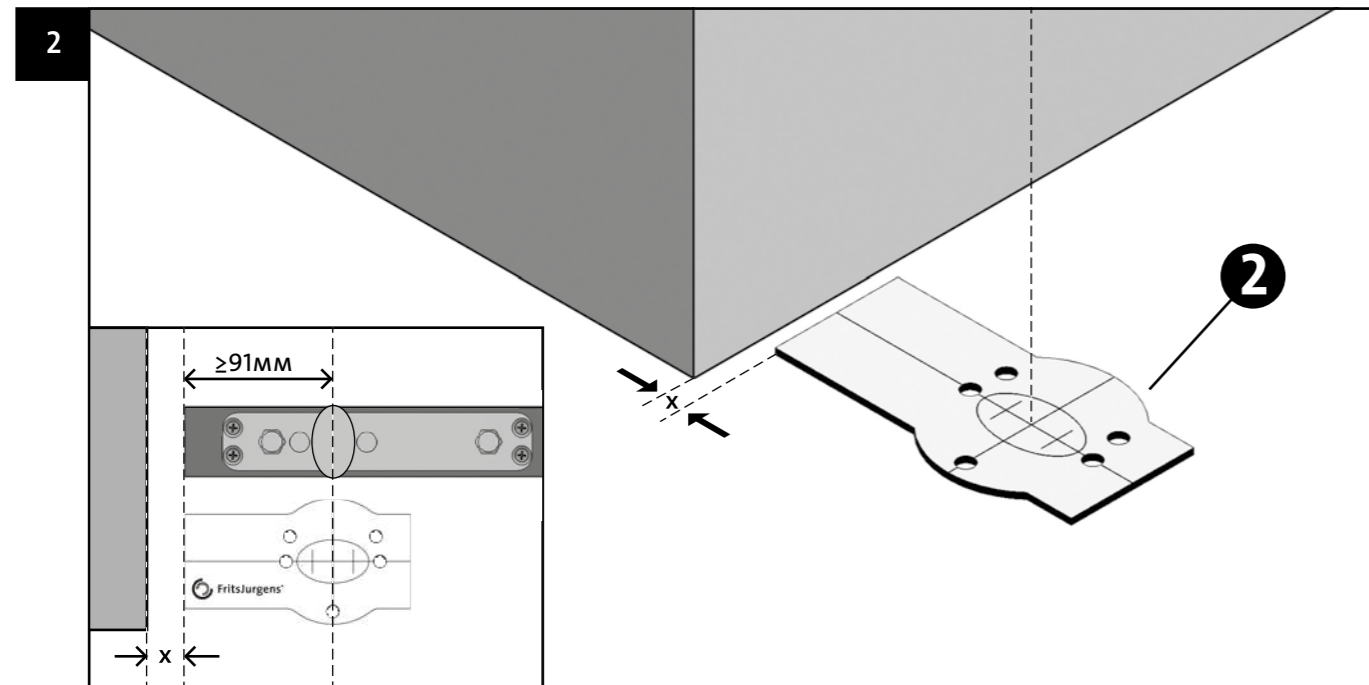


IMAGE FJ02

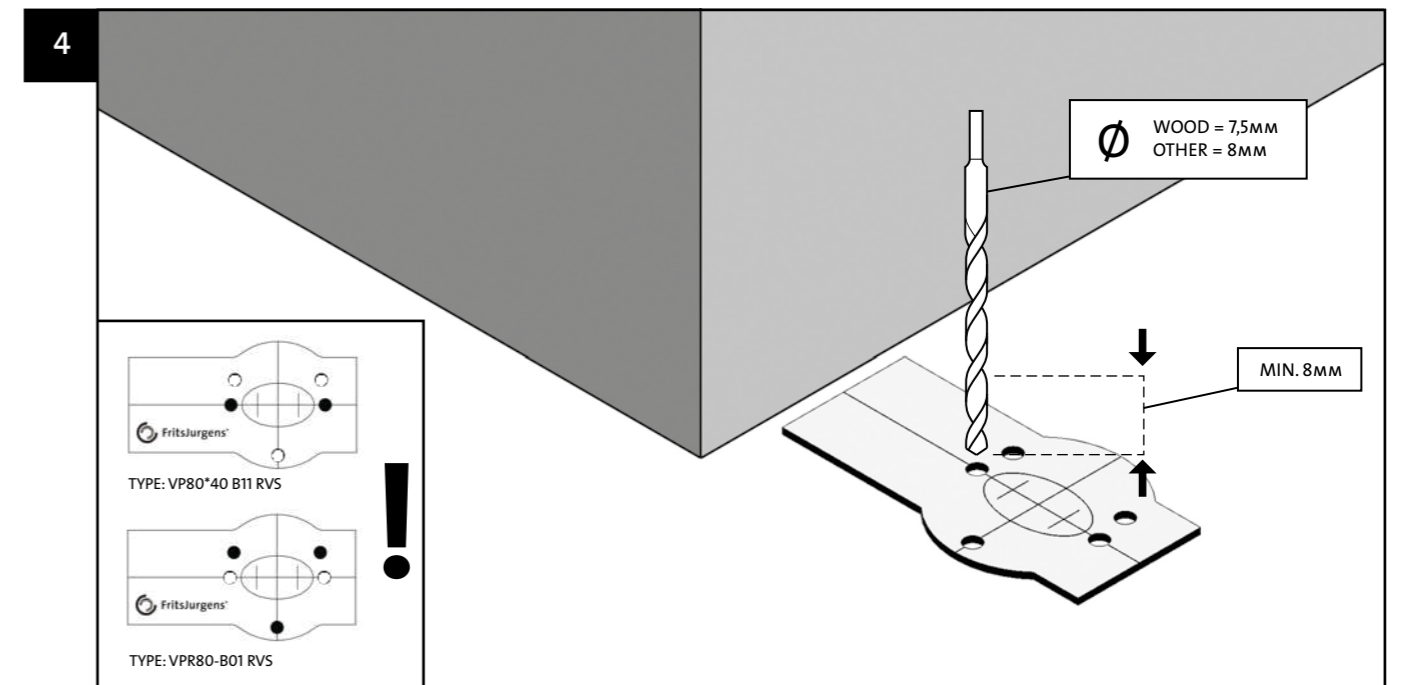


IMAGE FJ04

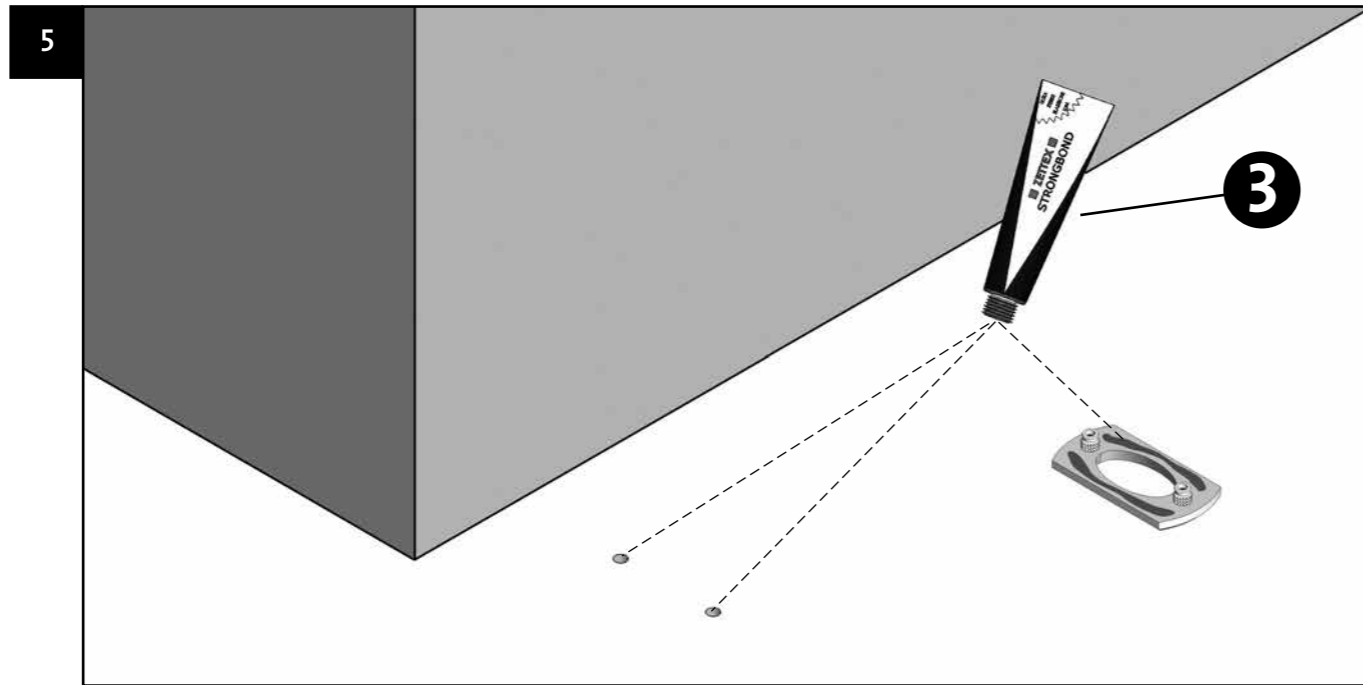


IMAGE FJ05

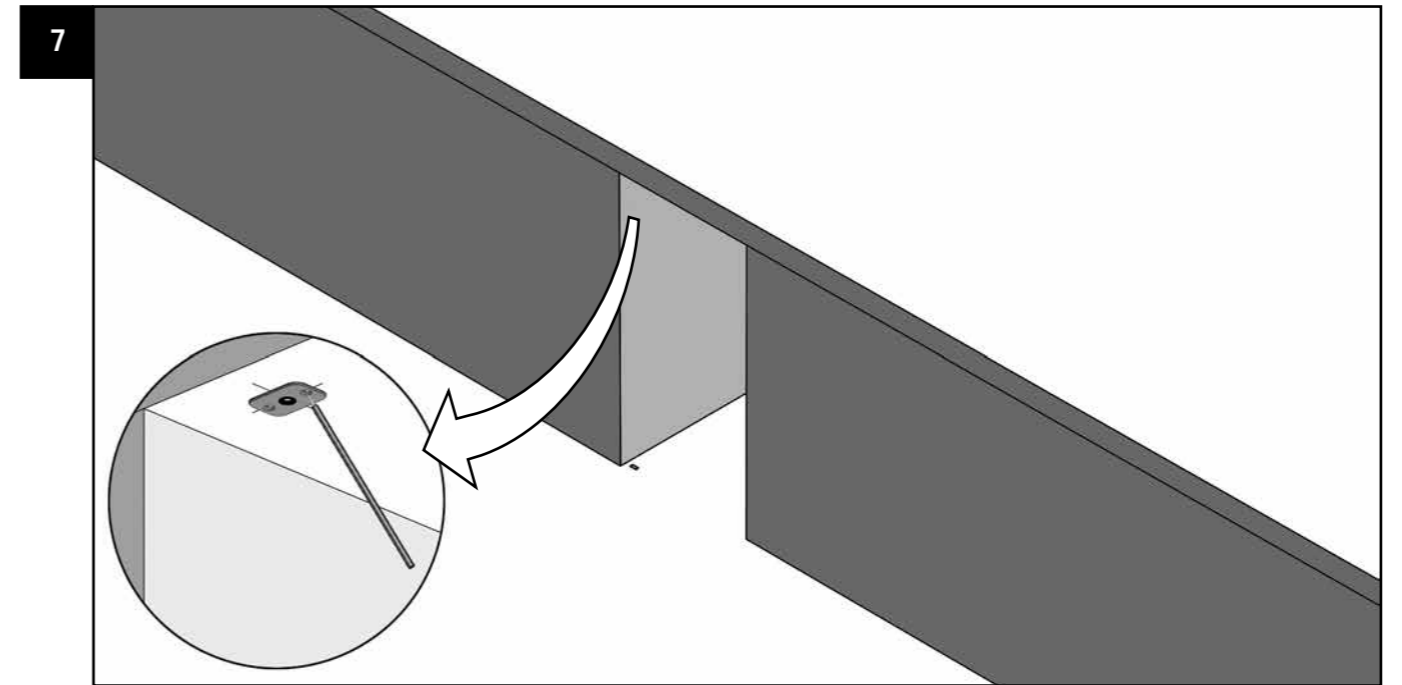


IMAGE FJ07

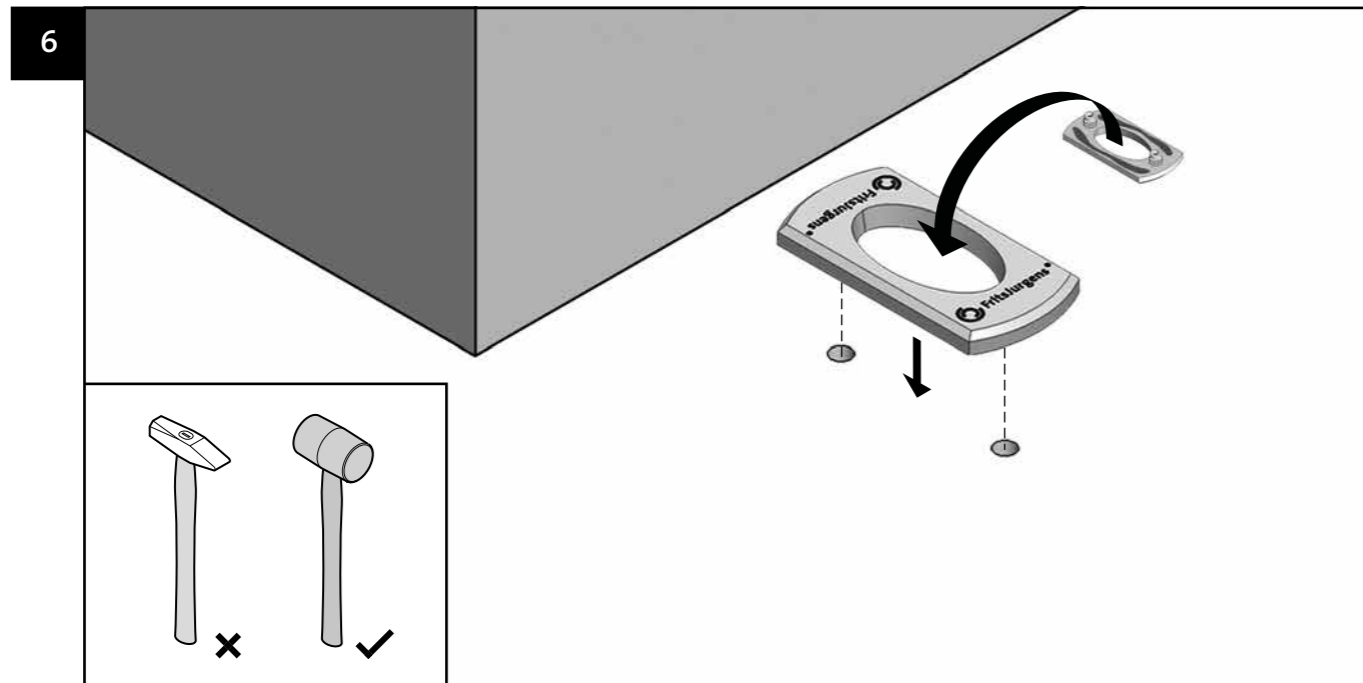
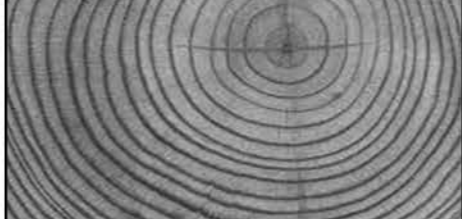

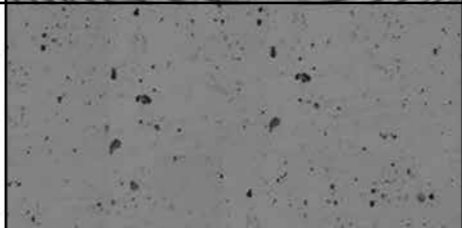






IMAGE FJ06

8	WOOD		 A
	STONE		*  +  A
	STEEL		*  M5

\* EXCL.

IMAGE FJ08

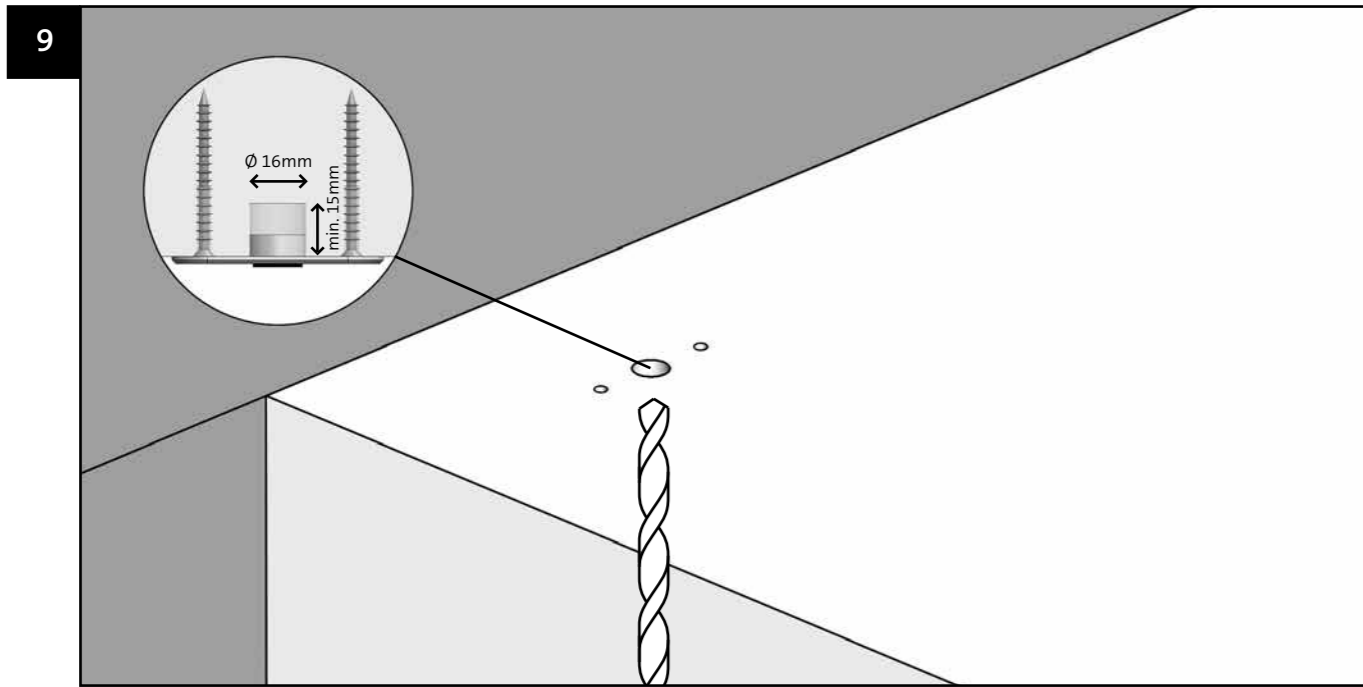


IMAGE FJ09

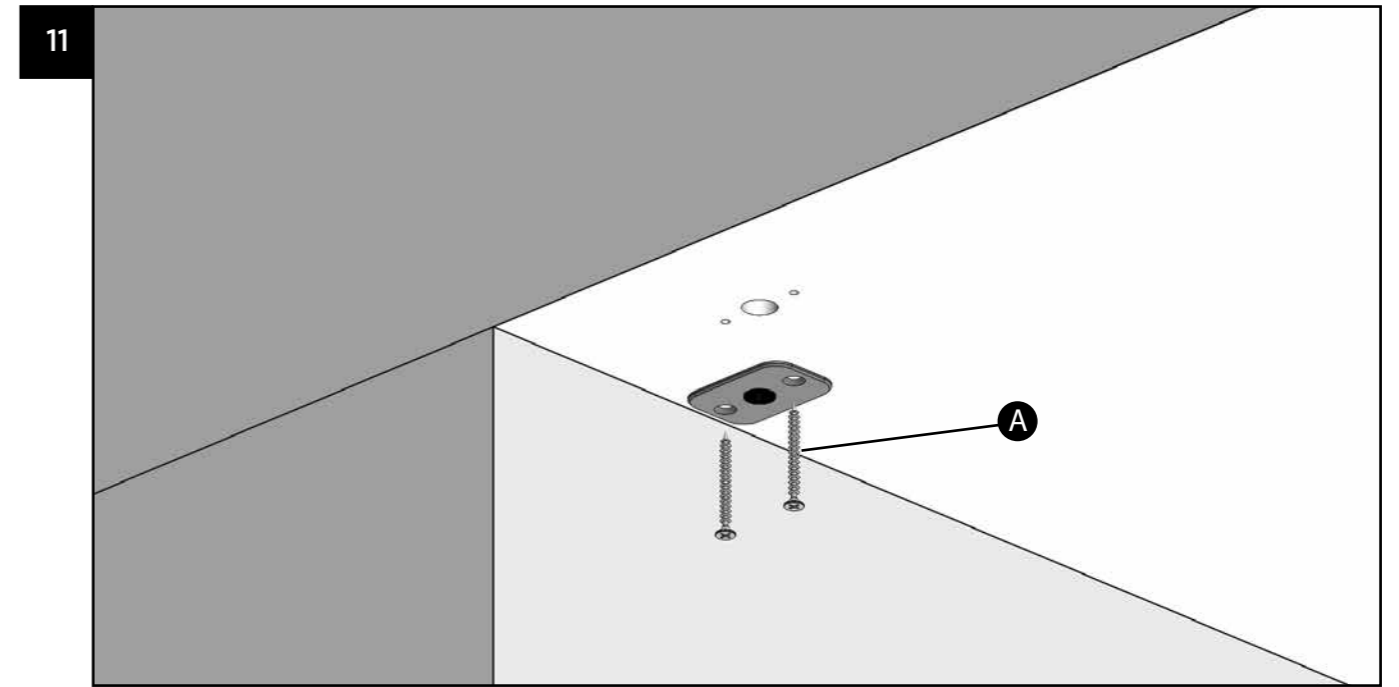


IMAGE FJ11

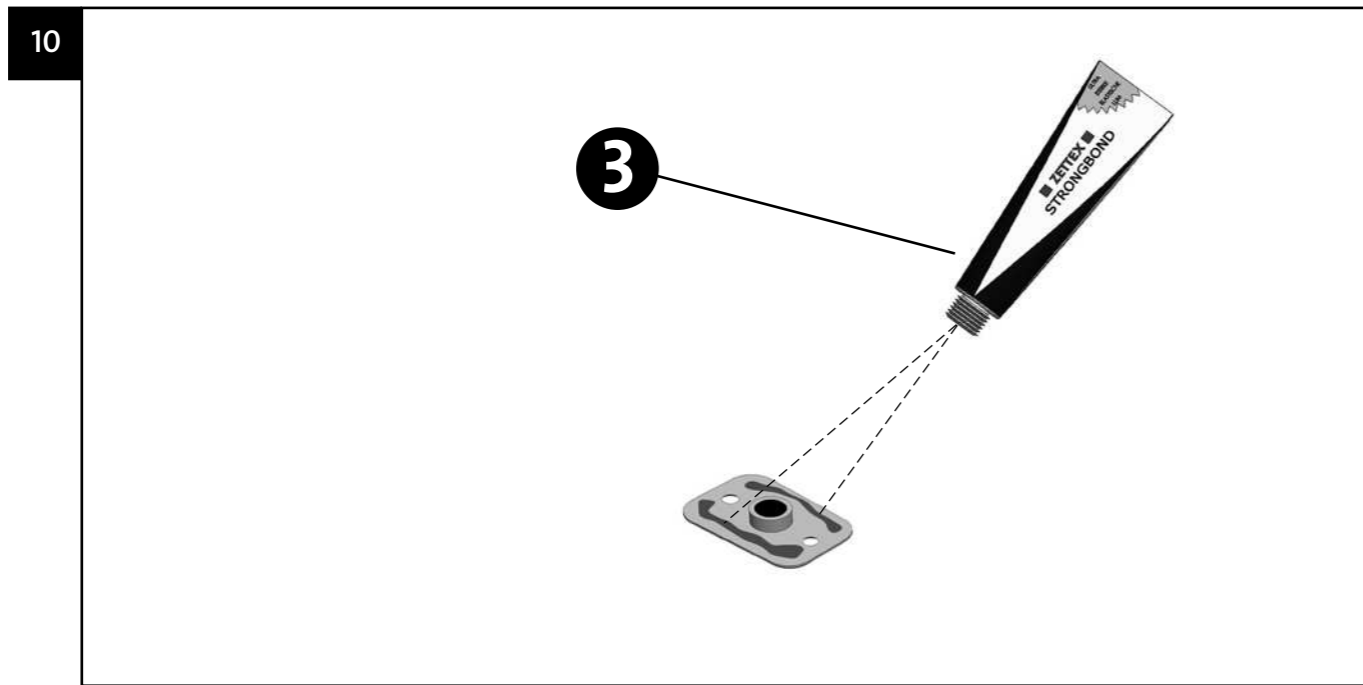


IMAGE FJ10

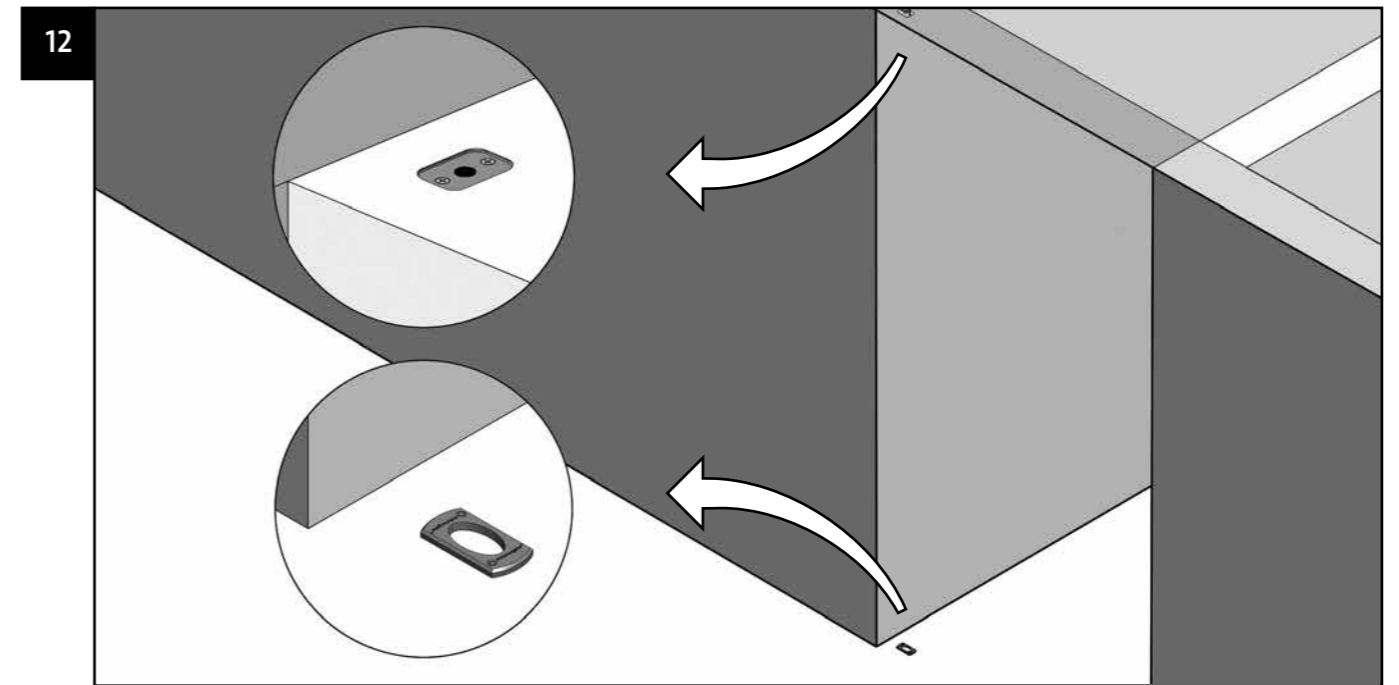


IMAGE FJ12

13

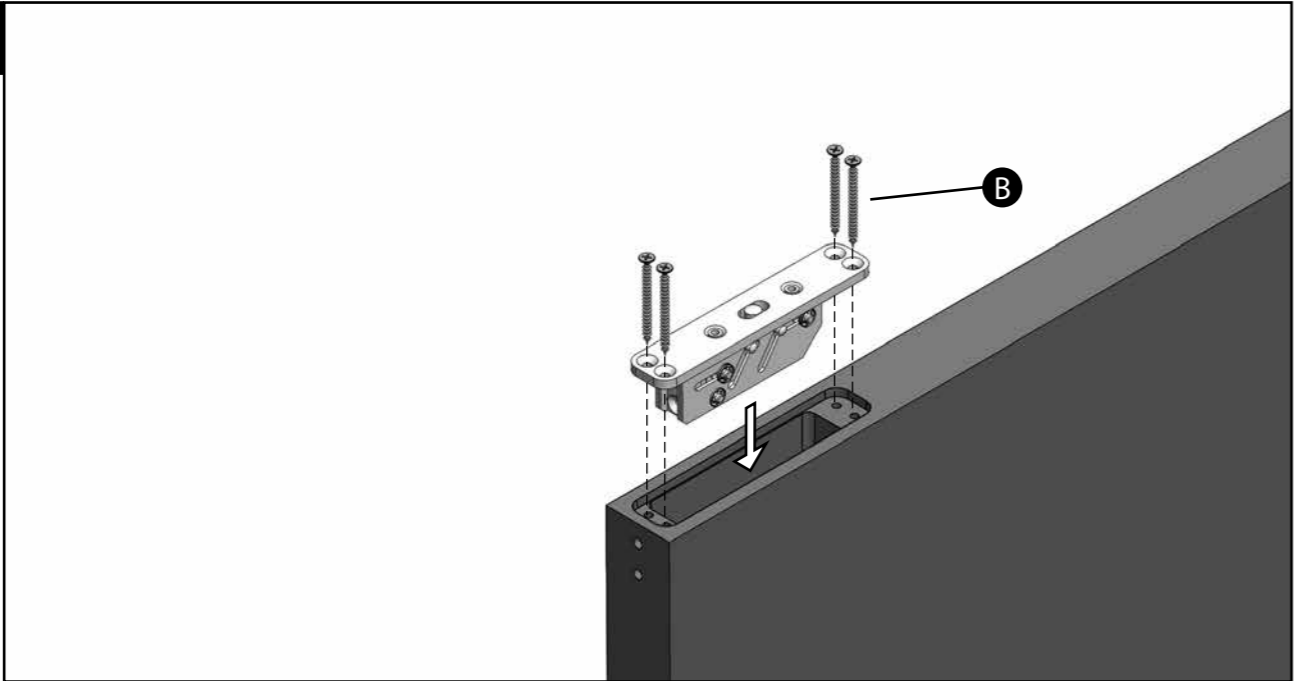


IMAGE FJ13

15

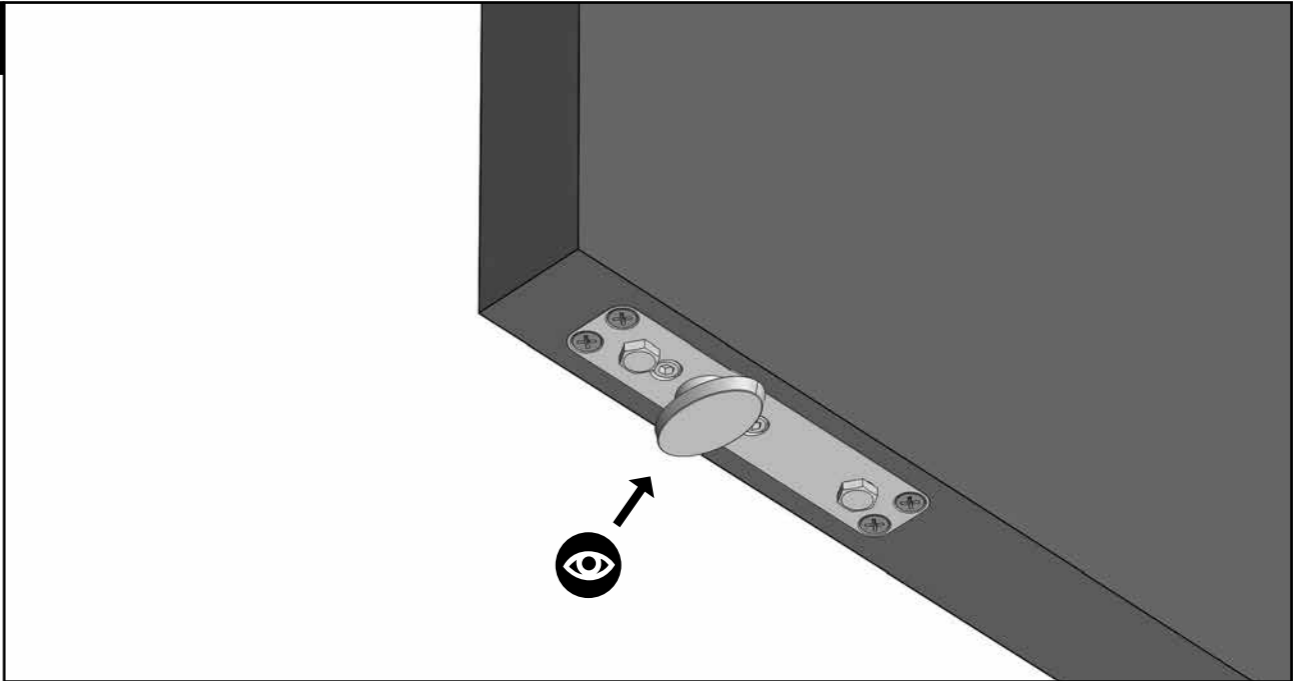


IMAGE FJ15S3

14

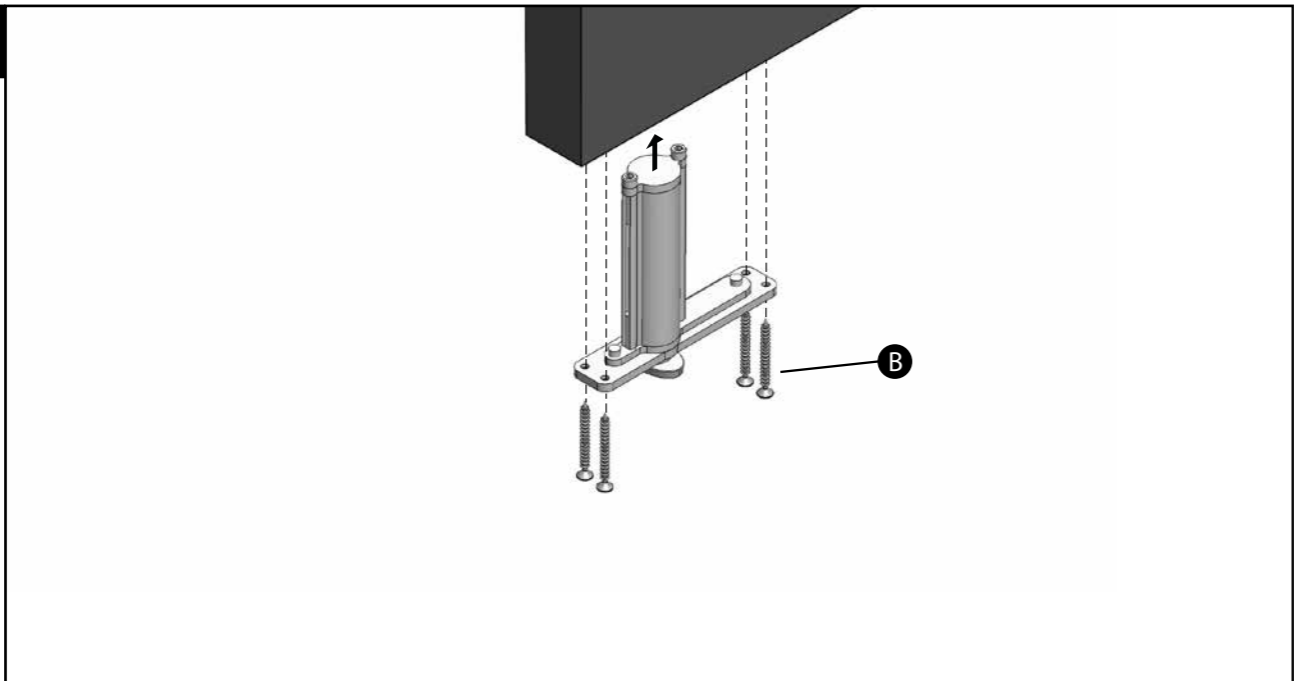


IMAGE FJ14S3

16

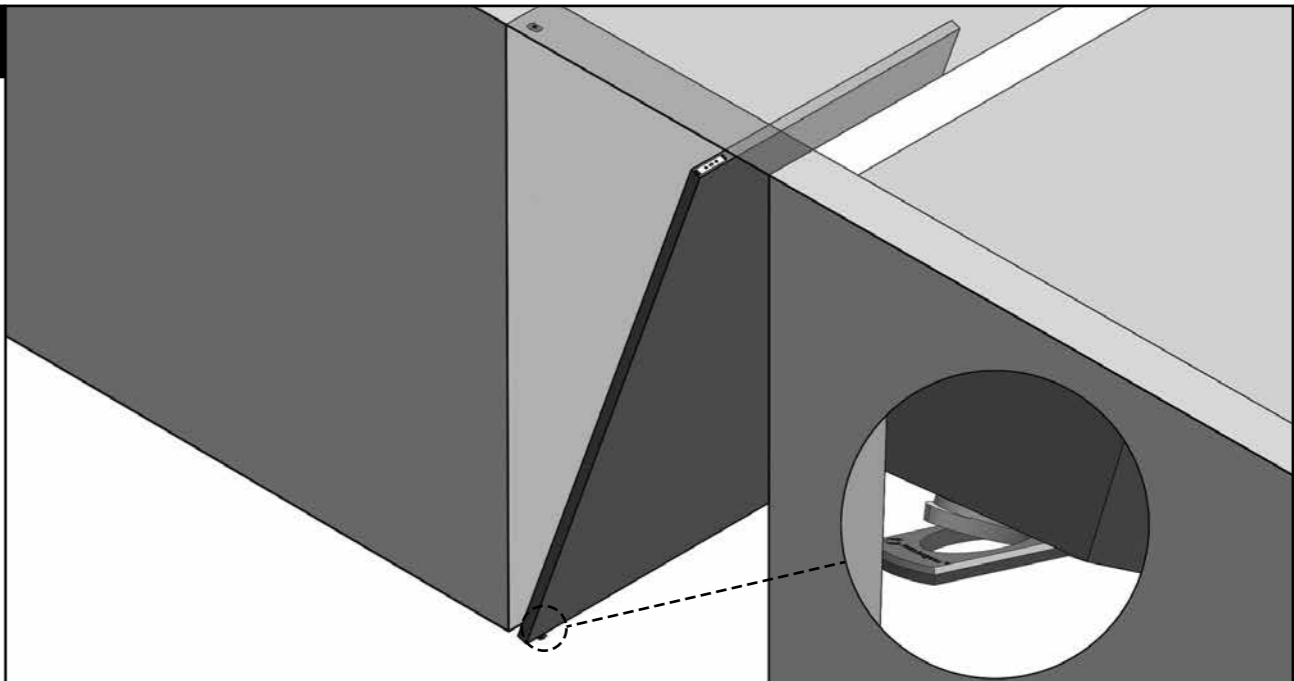


IMAGE FJ16S3



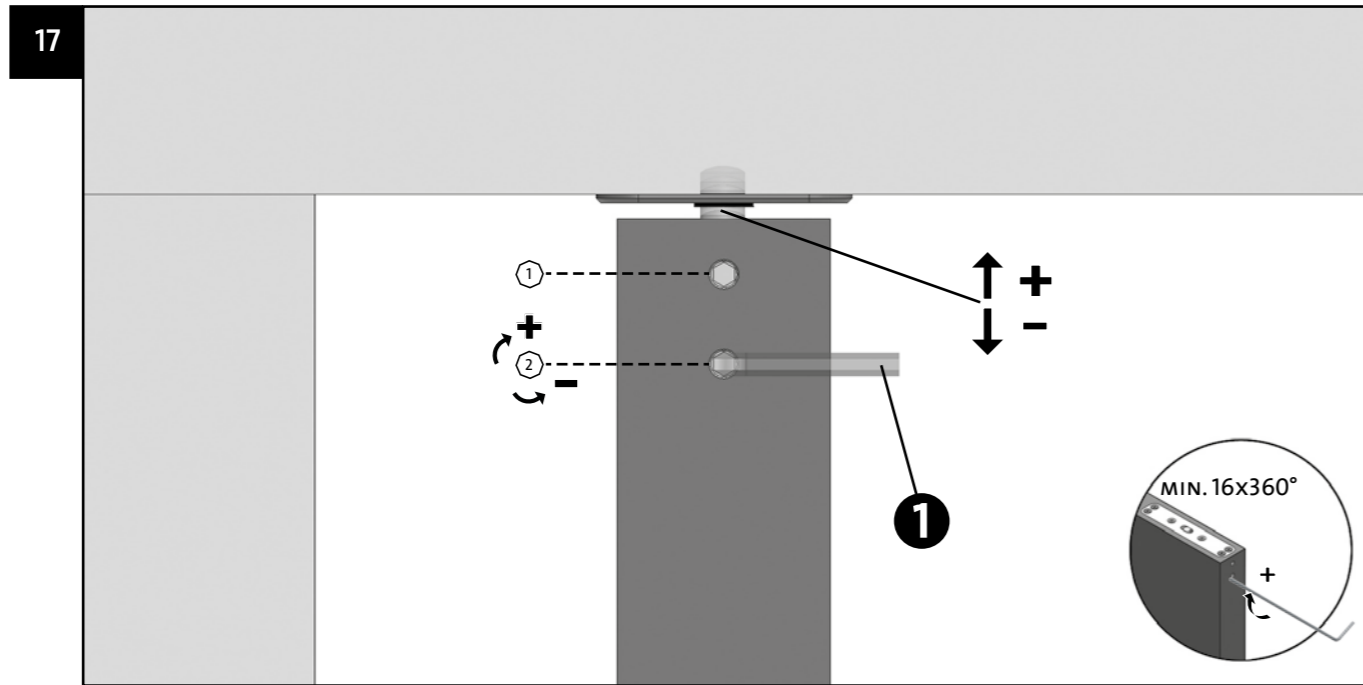


IMAGE FJ17

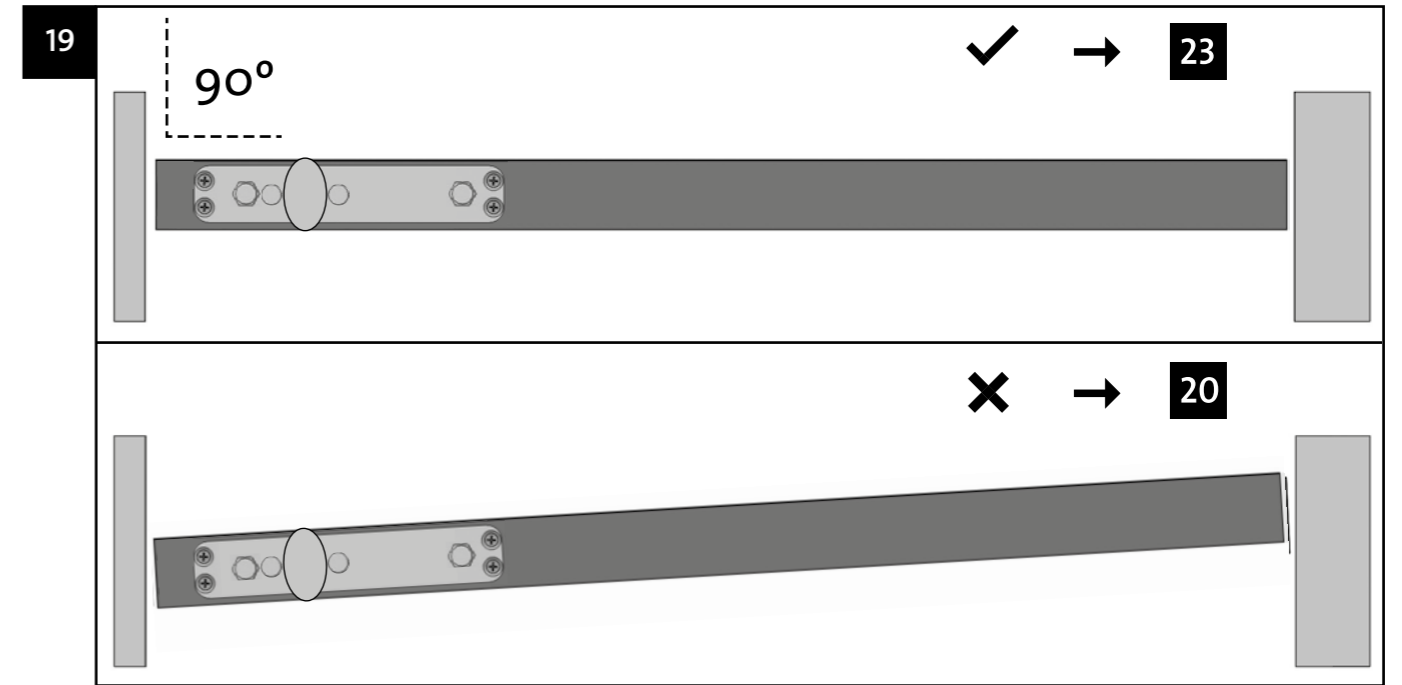


IMAGE FJ19

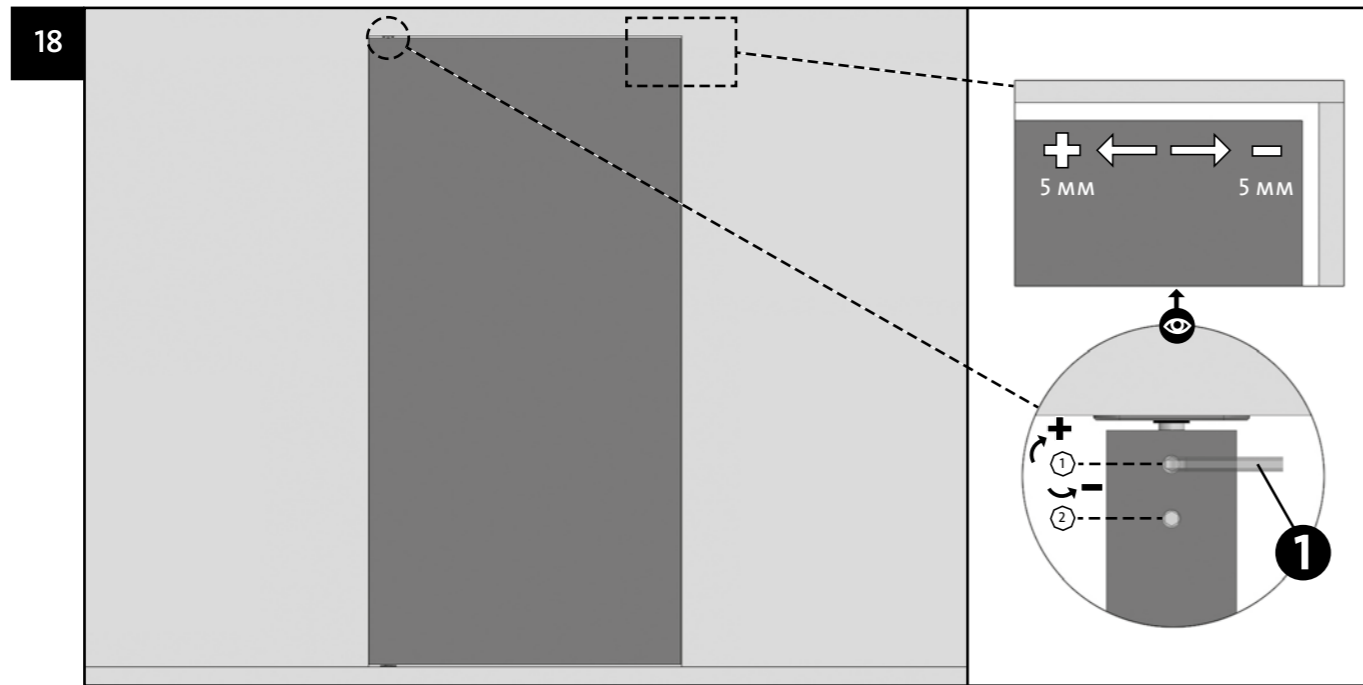


IMAGE FJ18

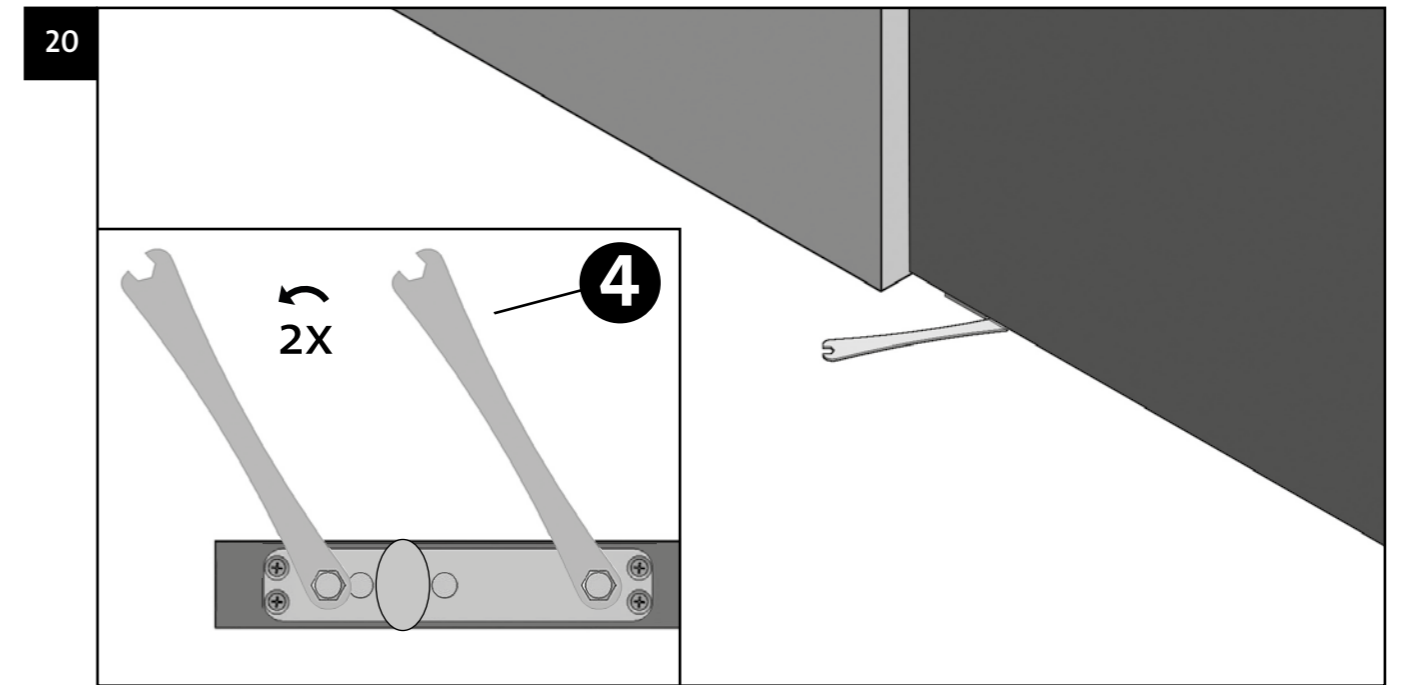


IMAGE FJ20

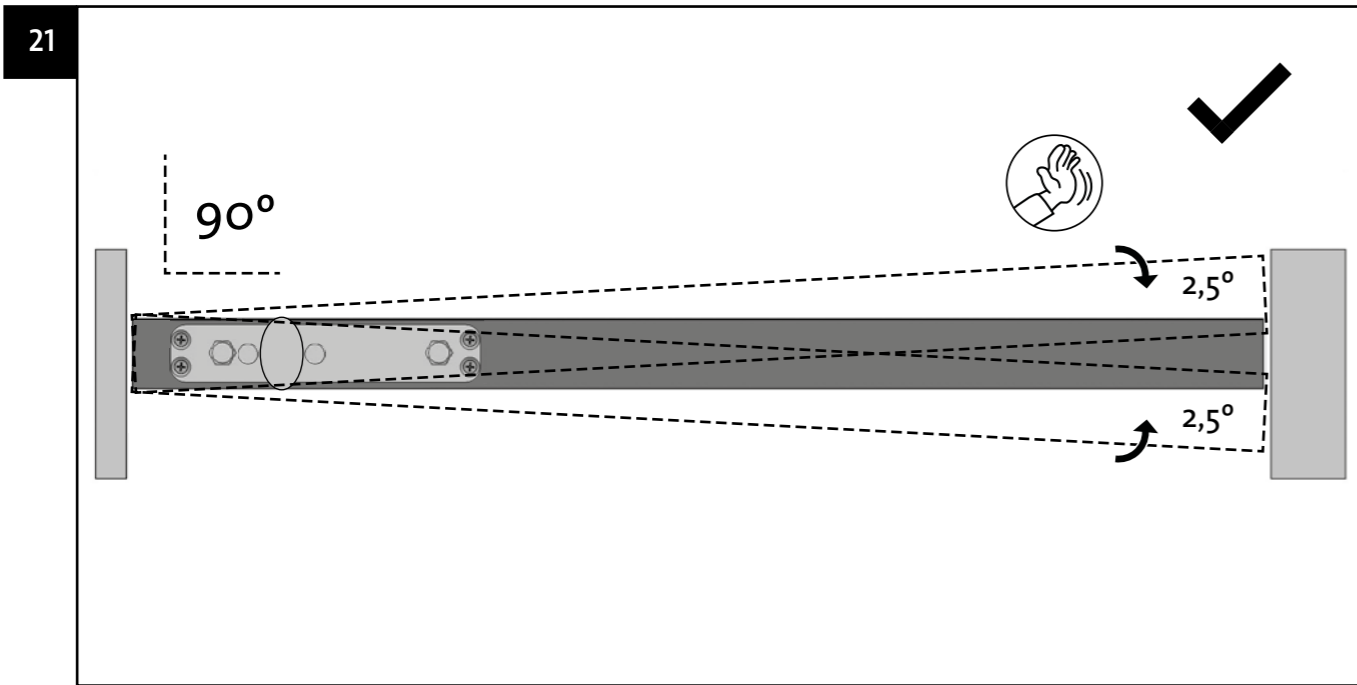


IMAGE FJ21

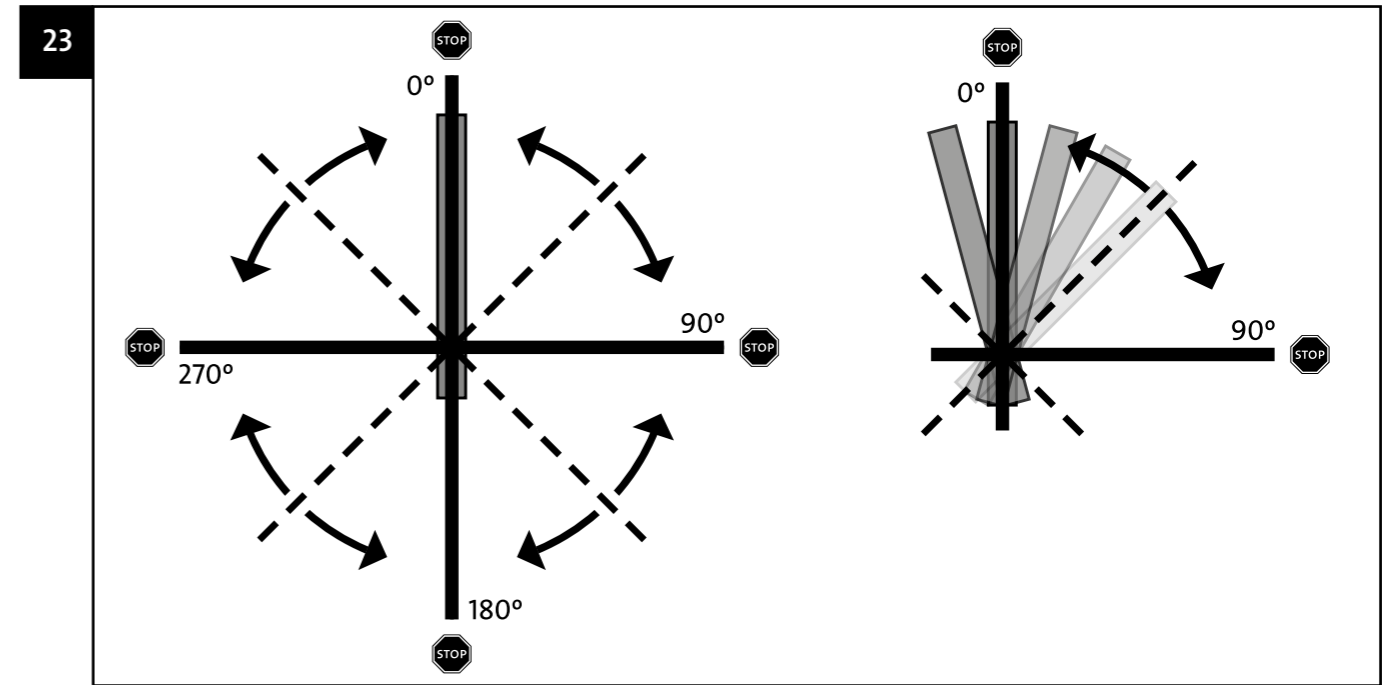


IMAGE FJ24S3

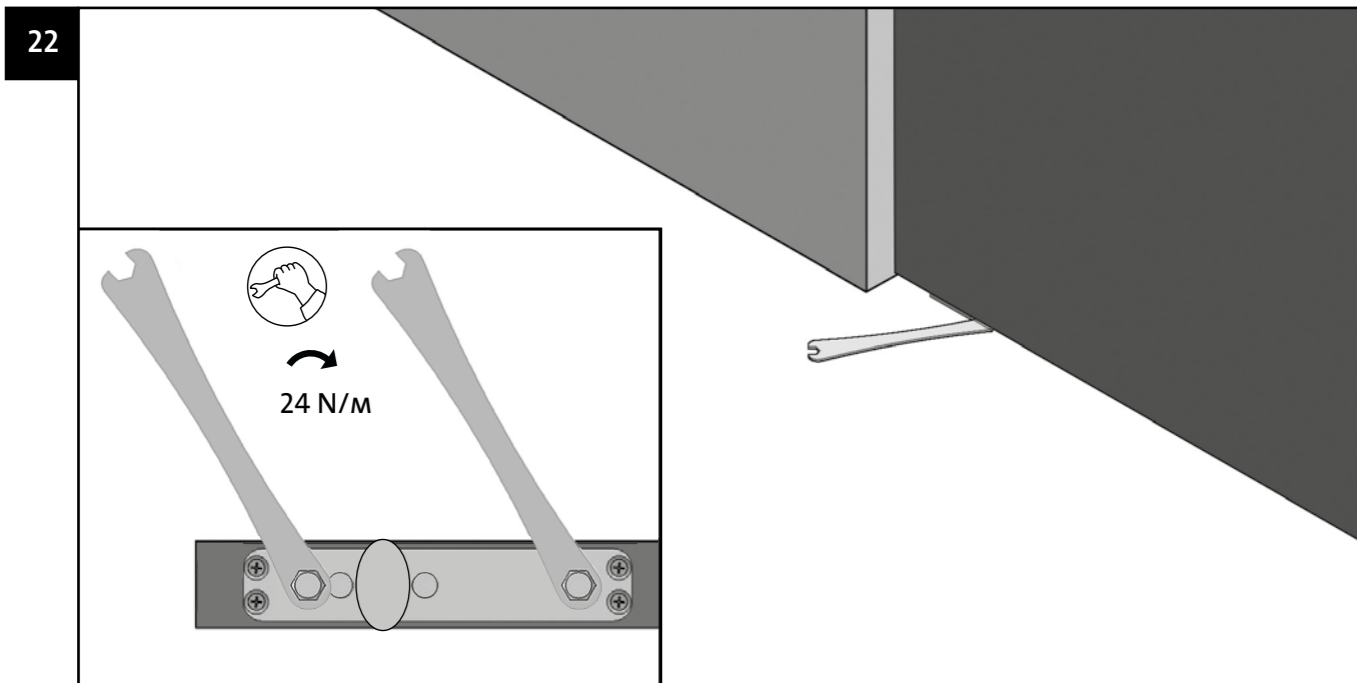


IMAGE FJ22



[www.fritsjurgens.com](http://www.fritsjurgens.com)

