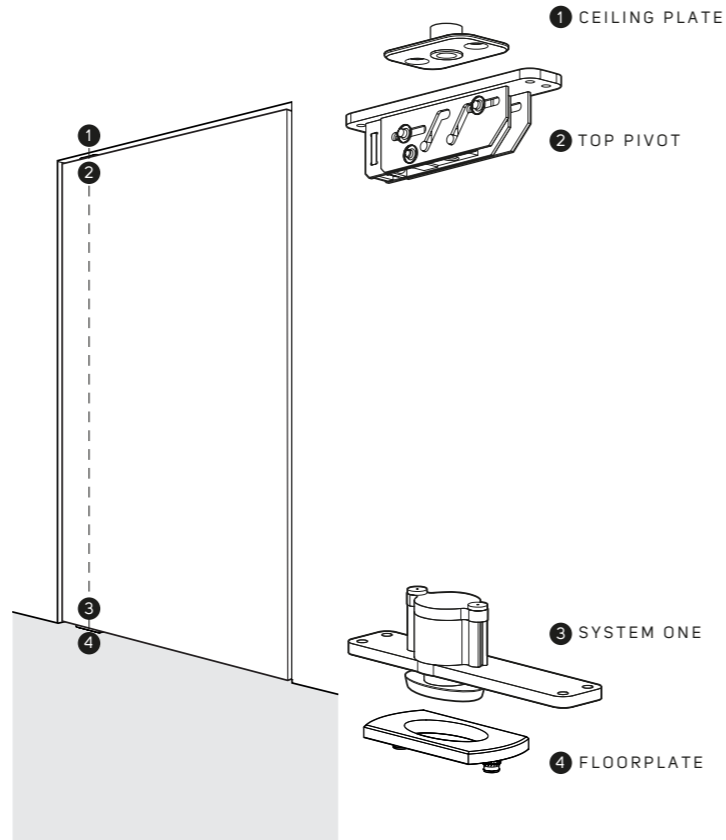


INT-1.5-2019
MOUNTING MANUAL

FritsJurgens®

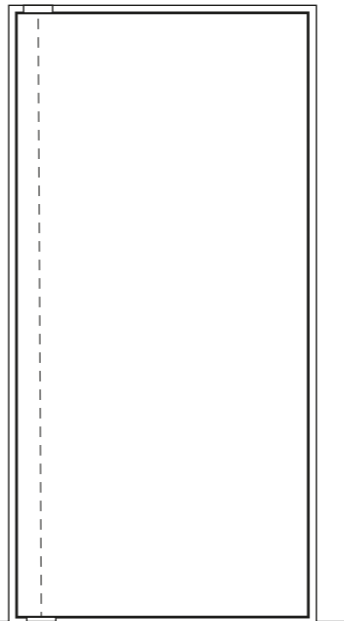
SYSTEM ONE

COMPONENTS SYSTEM ONE



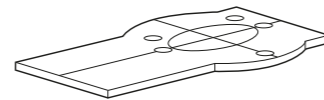
GAPS AROUND THE DOOR

TOP SEAM
MIN. 4MM
MAX. 10MM

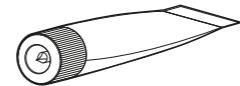


BOTTOM SEAM
=11MM

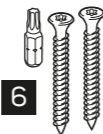
MOUNTING KIT



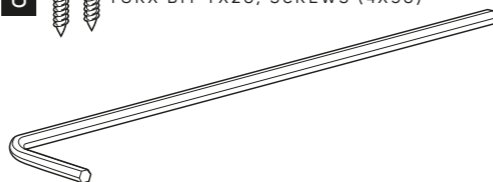
1 2 3 FITTING TEMPLATE



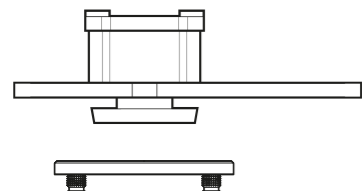
4 6 FITTING ADHESIVE



6 TORX BIT TX20, SCREWS (4X50)



8 A ALLEN WRENCH



FRITSJURGENS®

+31 598 343 410

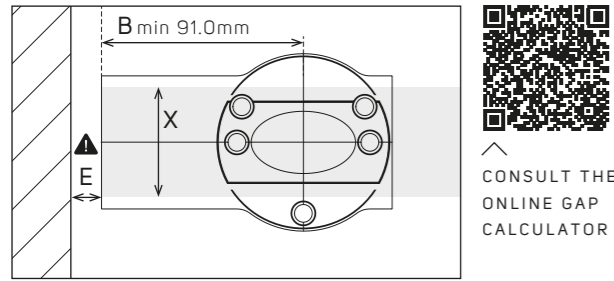
INFO@FRITSJURGENS.COM

WWW.FRITSJURGENS.COM



ALSO CONSULT THE
ONLINE MANUAL

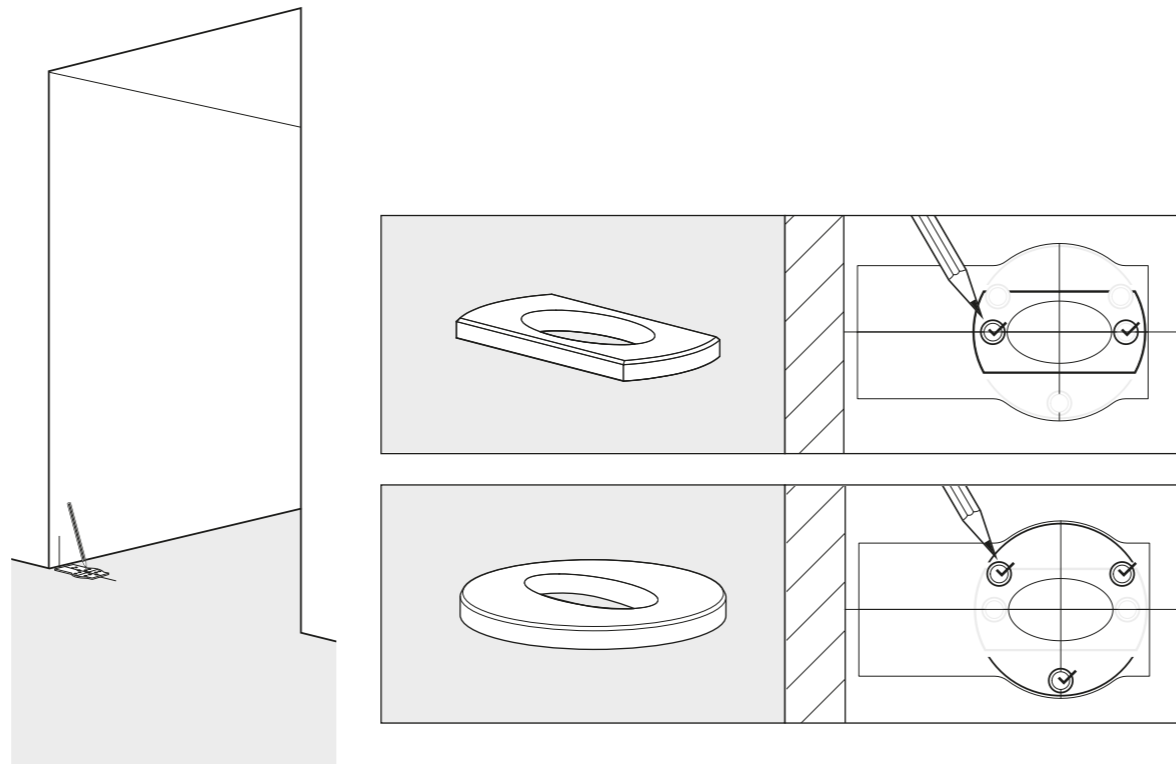
GAP CALCULATOR



| B | 40 | 50 | 60 | 70 | 80 | 90 | 100 | X |
|------|----|----|----|----|----|----|-----|---|
| 91 | 4 | 5 | 7 | 9 | 10 | 12 | 15 | |
| 250 | 3 | 3 | 4 | 4 | 5 | 6 | 7 | |
| 500 | 2 | 3 | 3 | 3 | 4 | 4 | 5 | |
| 1000 | 2 | 2 | 3 | 3 | 3 | 3 | 3 | |
| 1500 | 2 | 2 | 2 | 2 | 2 | 3 | 3 | |
| 2000 | 2 | 2 | 2 | 2 | 2 | 2 | 3 | |

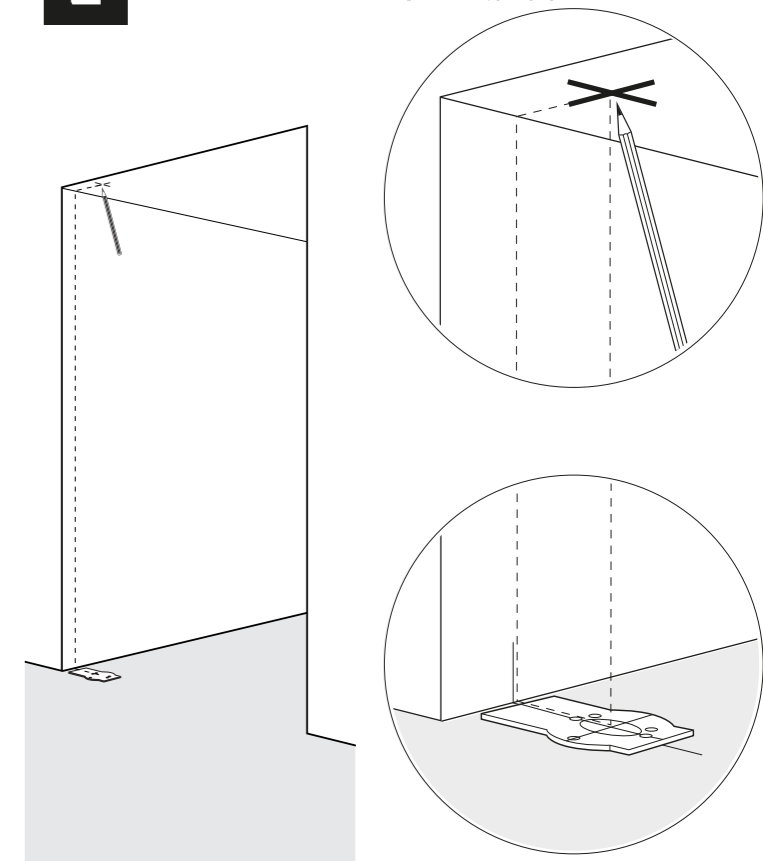
E MINIMUM GAP BETWEEN DOOR AND WALL (IN MM)
B DISTANCE PIVOT POINT TO BEGINING EDGE OF DOOR (IN MM)
X DOOR THICKNESS (IN MM)

1 MOUNT THE FLOORPLATE

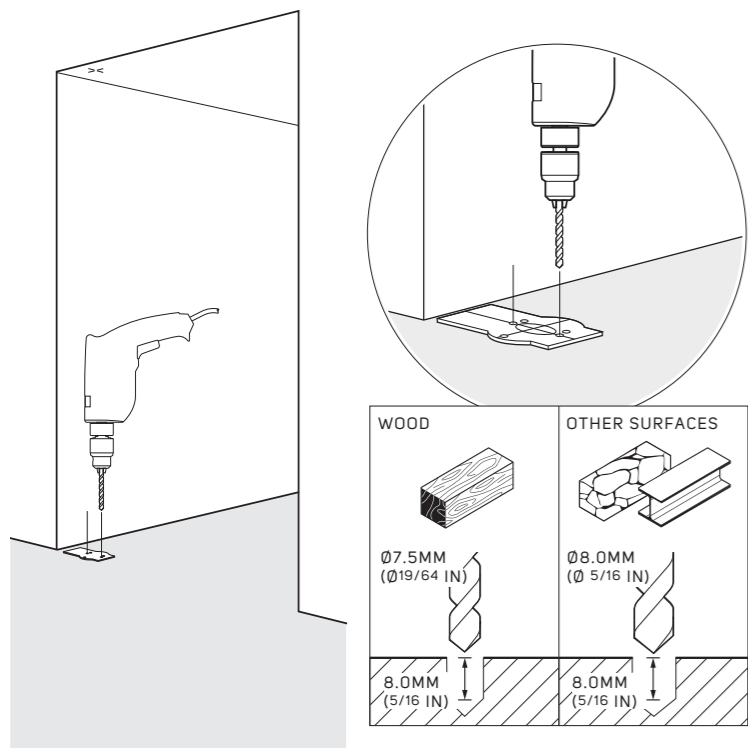


2

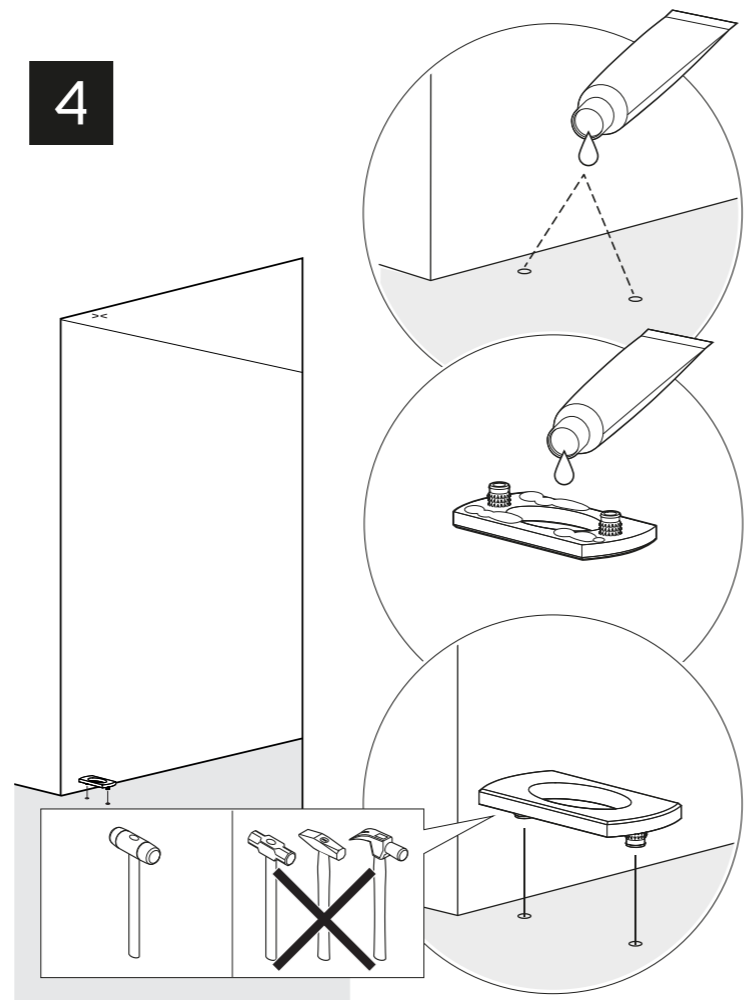
FritsJurgens®
INT-1.5-2019



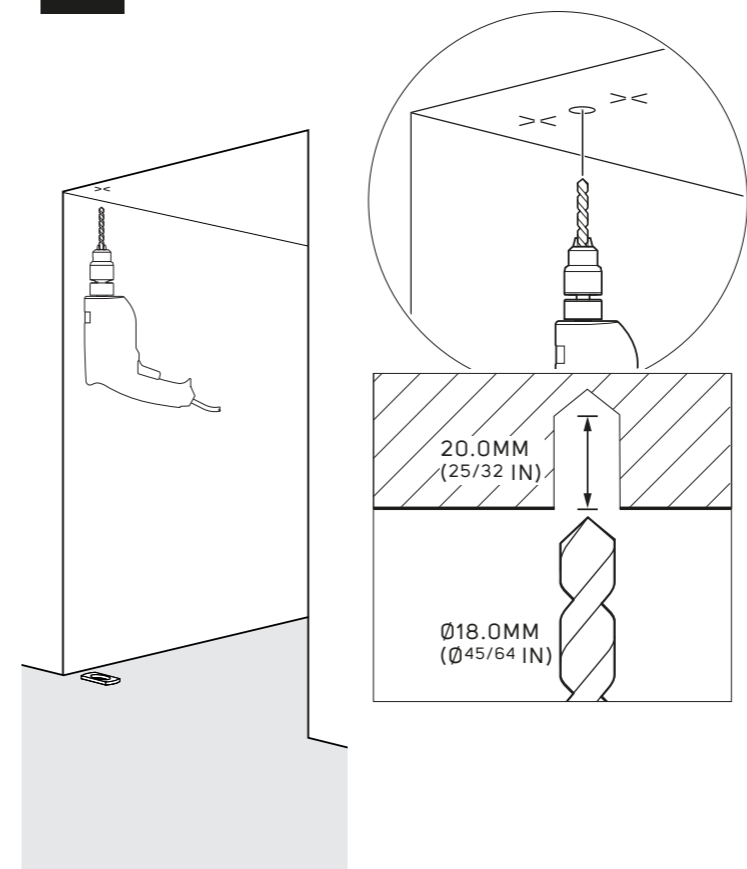
3



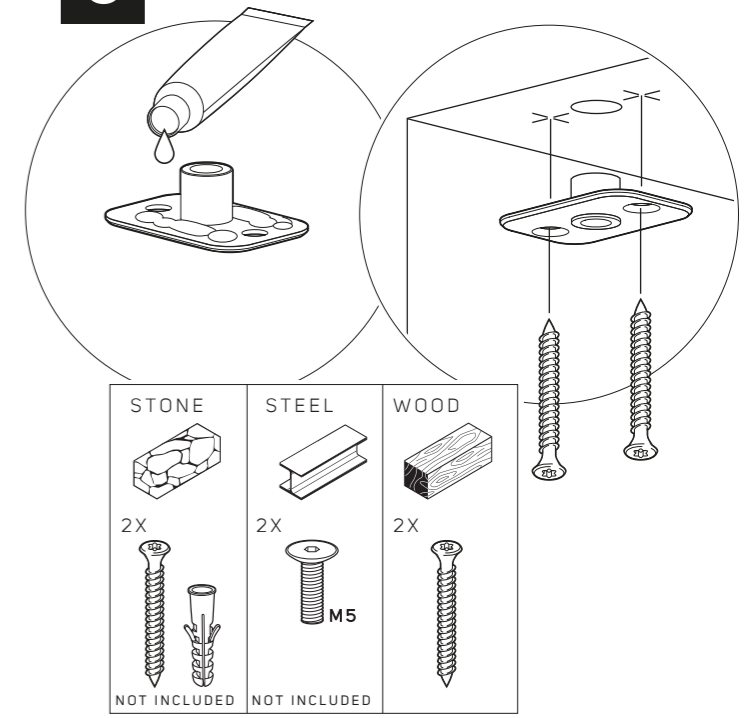
4

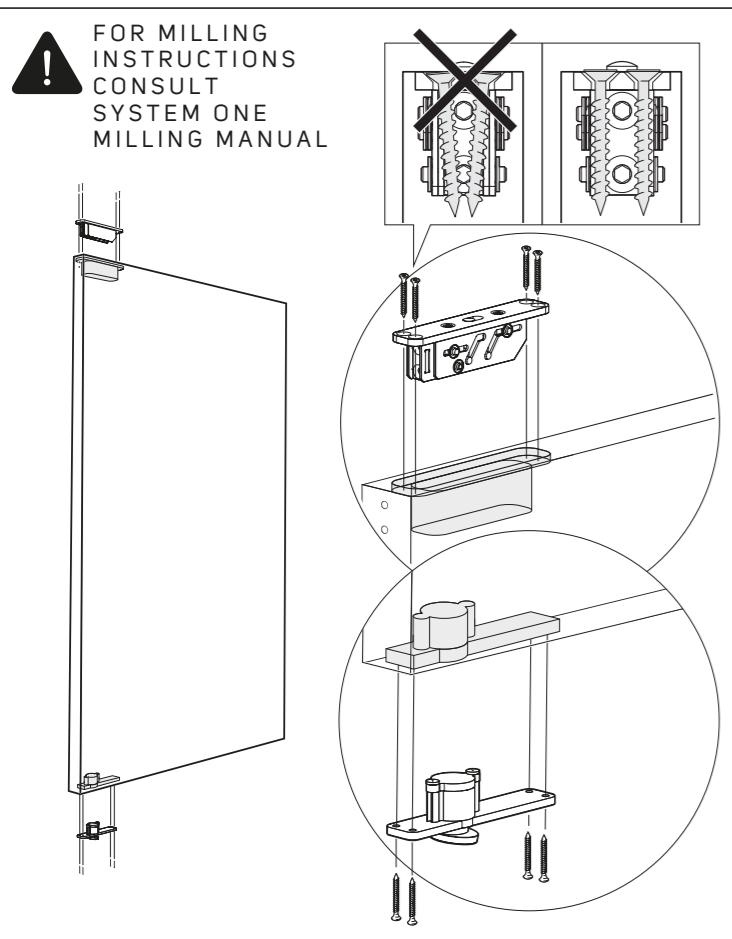


5 MOUNT THE CEILING PLATE

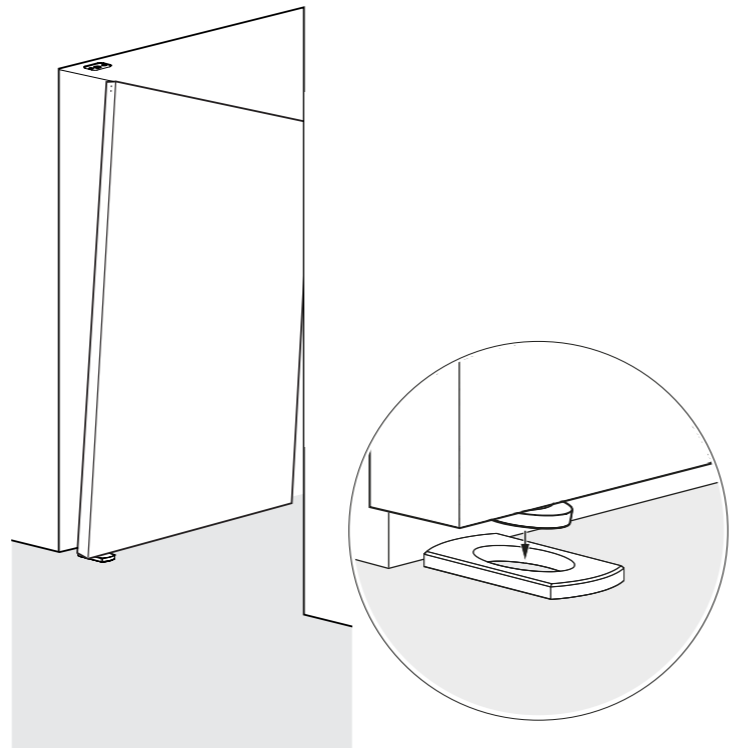


6

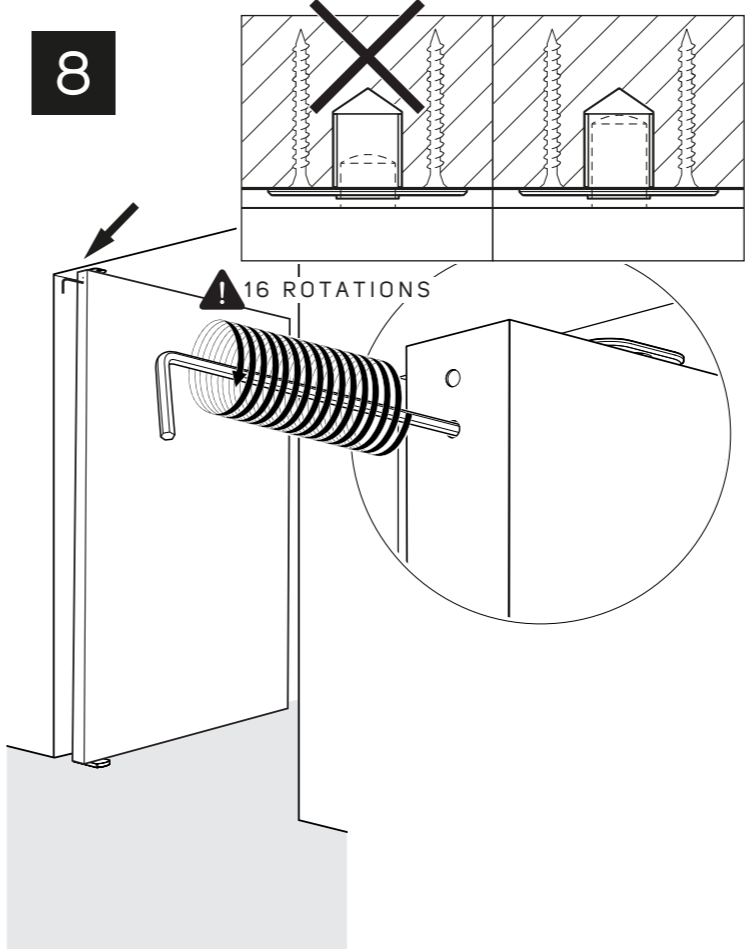




7 MOUNT THE DOOR



8



A FINETUNE THE CLOSING SEAM

