

BELLEVUE  
ARCHITECTURAL

FritsJurgens®

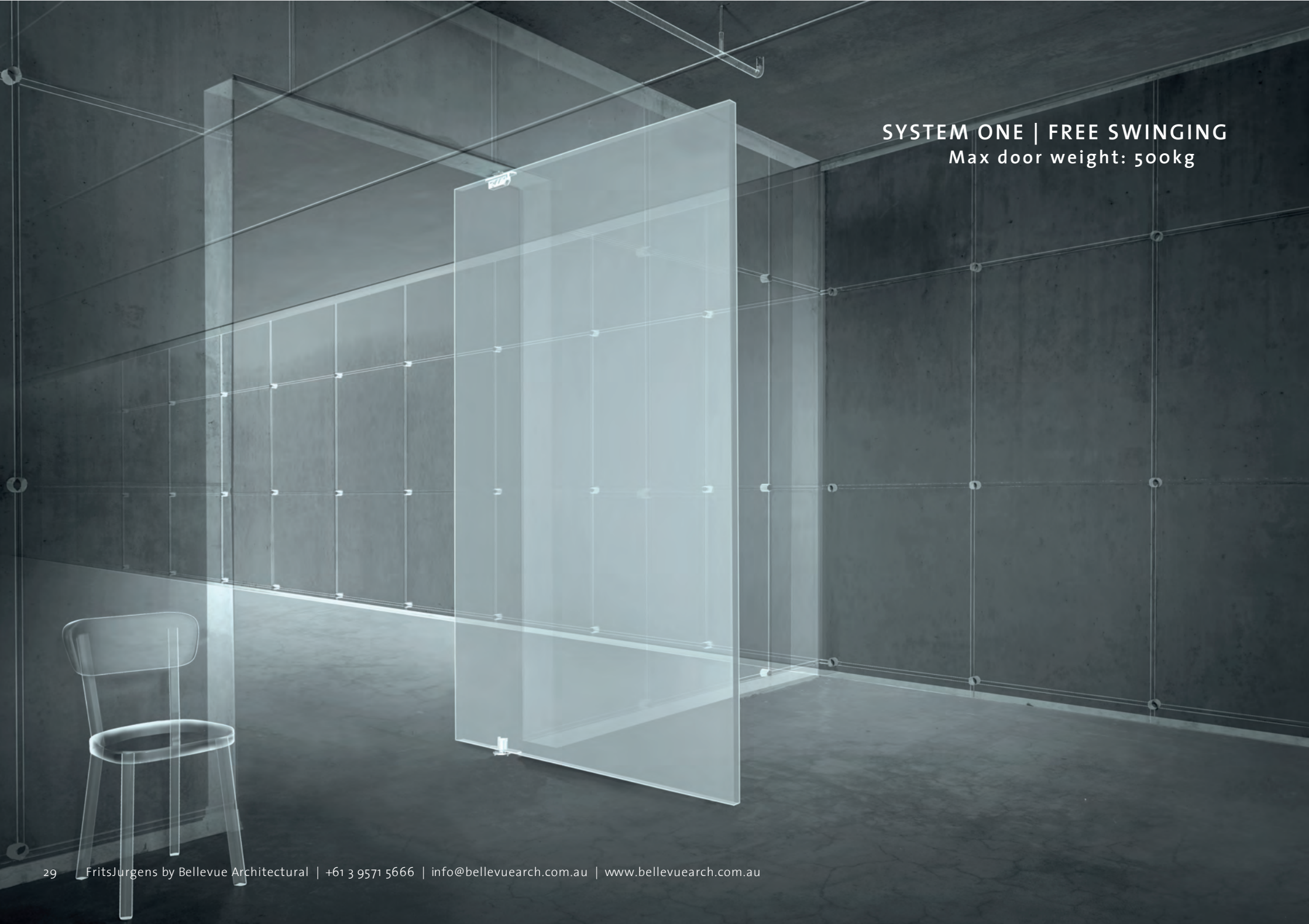
TECHNICAL DOCUMENTATION

New 70 & 40mm top pivots  
& Flush Floor Plates





**SYSTEM ONE | FREE SWINGING**  
Max door weight: 500kg



## FRITSJURGENS SYSTEM ONE | Free-swinging



## SYSTEM ONE | Free-swinging

### SYSTEM SPECIFICATIONS

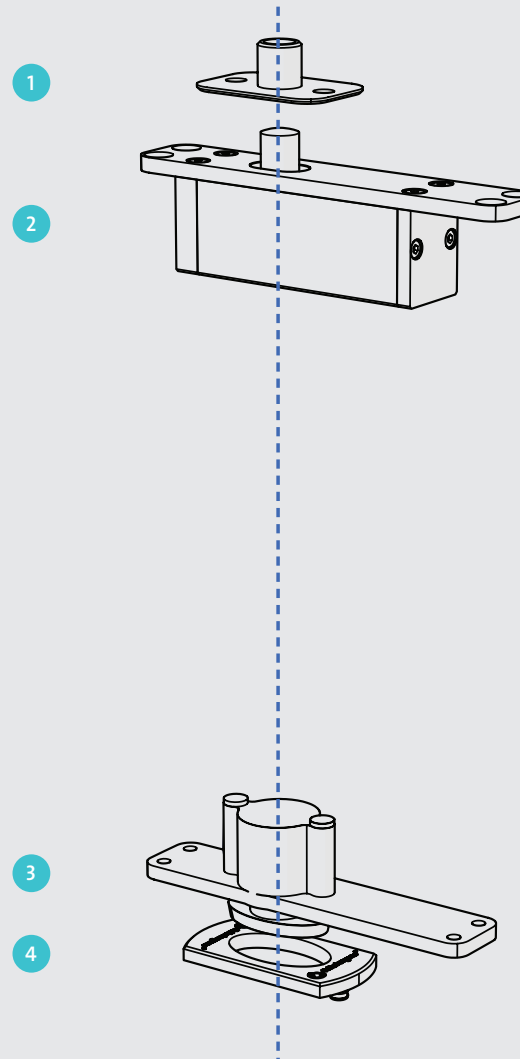
Type	System One -FJS01MK
Dimensions	160 x 32 x 39 mm
Weight	0,36 KG
Material	Stainless steel   Anodized aluminum
Corrosion resistance	EN 1670 - class 5 (norm:0-5)

### DOOR SPECIFICATIONS

Door acting	Full rotation   360° movement Single-action   90° rotation Double-action   180° movement
Weight capacity	0-500 KG
Door width	Unlimited
Door height	Unlimited
Pivot point	70mm from pivot point to short side
Min. door thickness	40 mm

### DOOR MOVEMENT

Door movement	360° free-swinging pivot
---------------	--------------------------



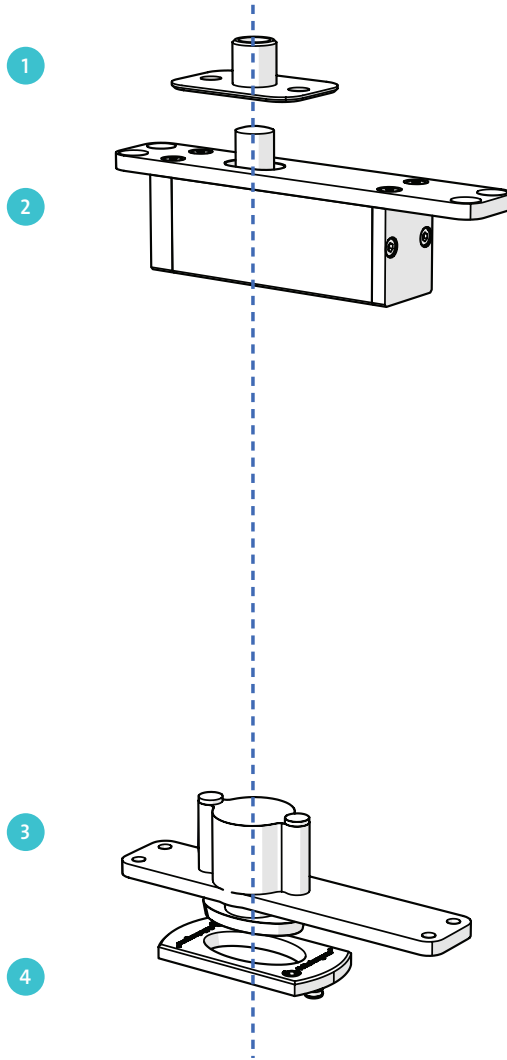
### SYSTEM ONE COMPONENTS

1. Ceiling plate (FJS/CPXXGSSS)
2. Top pivot 70 (FJS/TPX70GXSS)
3. System One (FJS01MKB)
4. Square floor plate (FJVP8040B)

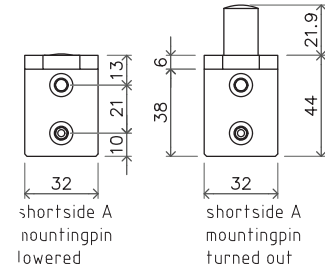
*Ceiling plate and floor plate in stainless steel (Series 420).*

# TECHNICAL DRAWING SYSTEM ONE | Free - swinging

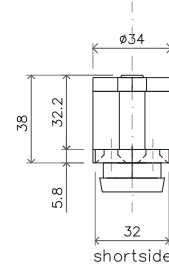
- 1. Ceiling plate (FJS/CPXXGSSS)
- 2. Top pivot 70 (FJS/TPX70GXSS)
- 3. System One (FJS01MKB)
- 4. Square floor plate (FJVP8040B)



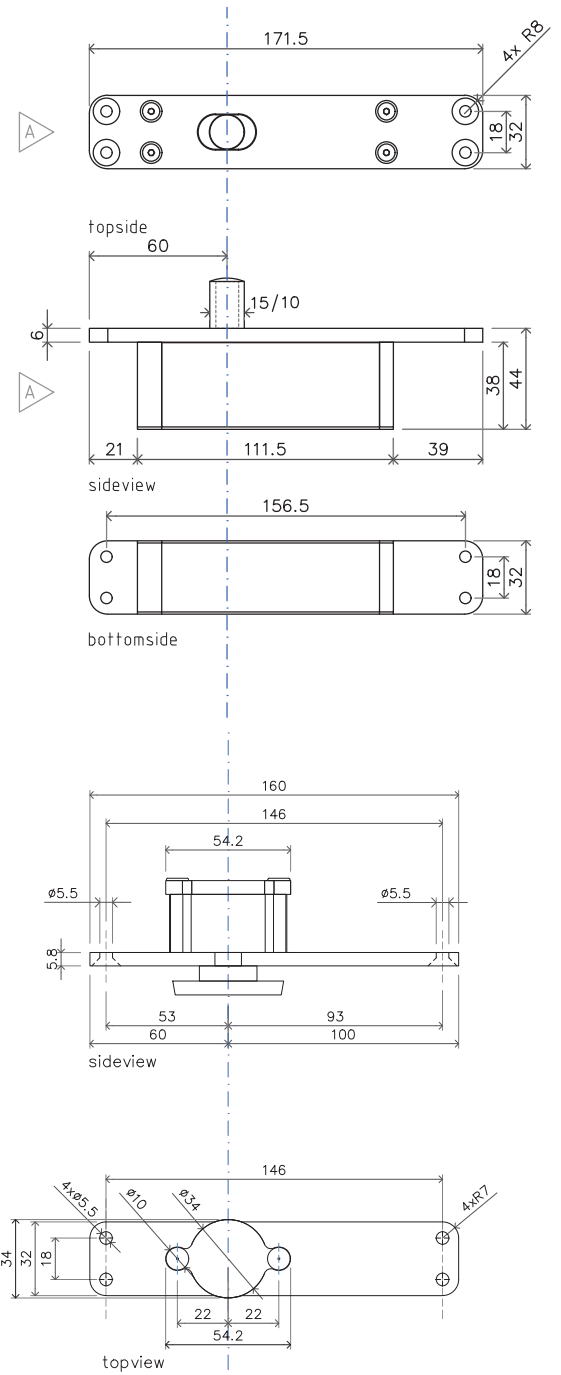
## COMPONENTS



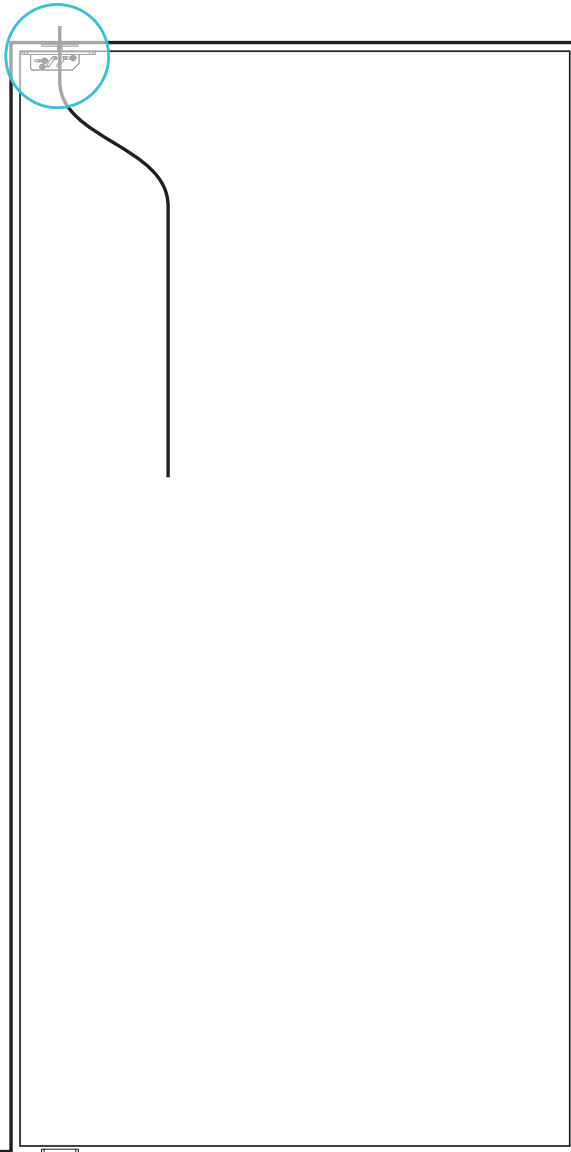
Top pivot 70 mm - Class G



System One



## ACCESSORIES: CABLE GROMMET



The Cable Grommet is an addition to the existing FritsJurgens top pivot range and enables wiring in the door. This top pivot contains an integrated cable grommet of  $\text{Ø}7.5$  mm. This version of the top pivot is available with every FritsJurgens system and replaces the standard delivered top pivot and ceiling plate within a complete set.

# CABLE GROMMET

## SPECIFICATIONS

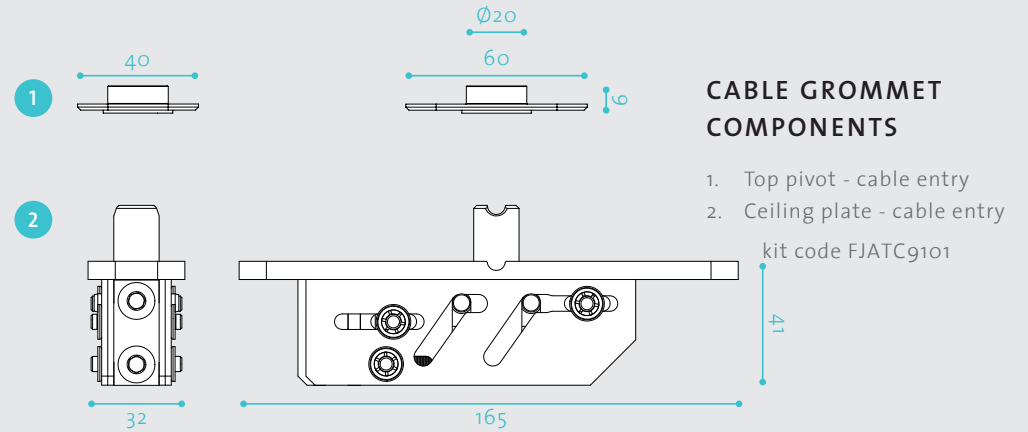
Types	FritsJurgens top pivot - cable entry FritsJurgens ceiling plate - cable entry
Dimensions	165 x 32 x 41 mm

## FOR TYPES OF DOORS

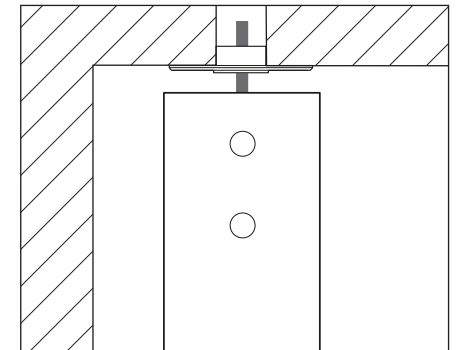
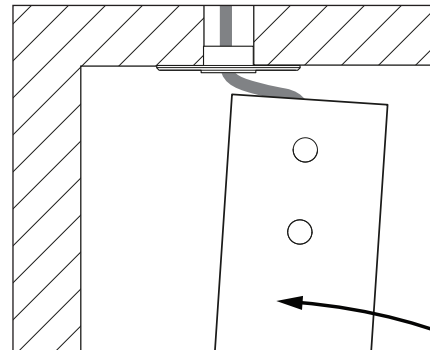
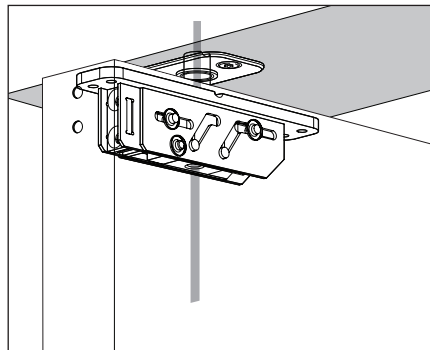
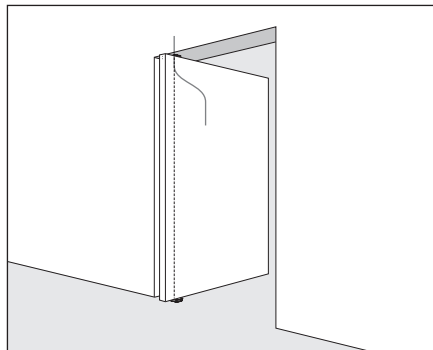
Door acting	Double-action Single-action
Weight capacity	0-500 KG
Door width	Refer to the system it is to be used with
Door height	Unlimited
Pivot point	Min. 91 mm from pivot point to short side
Min. door thickness	40 mm

## ORDER CODES

Cable grommet hole	FritsJurgens top pivot & ceiling plate with cable entry: To be purchased as a separate unit (FJATC9101) Supplied in place of the standard when purchasing a kit (FJATC9101U)
--------------------	--

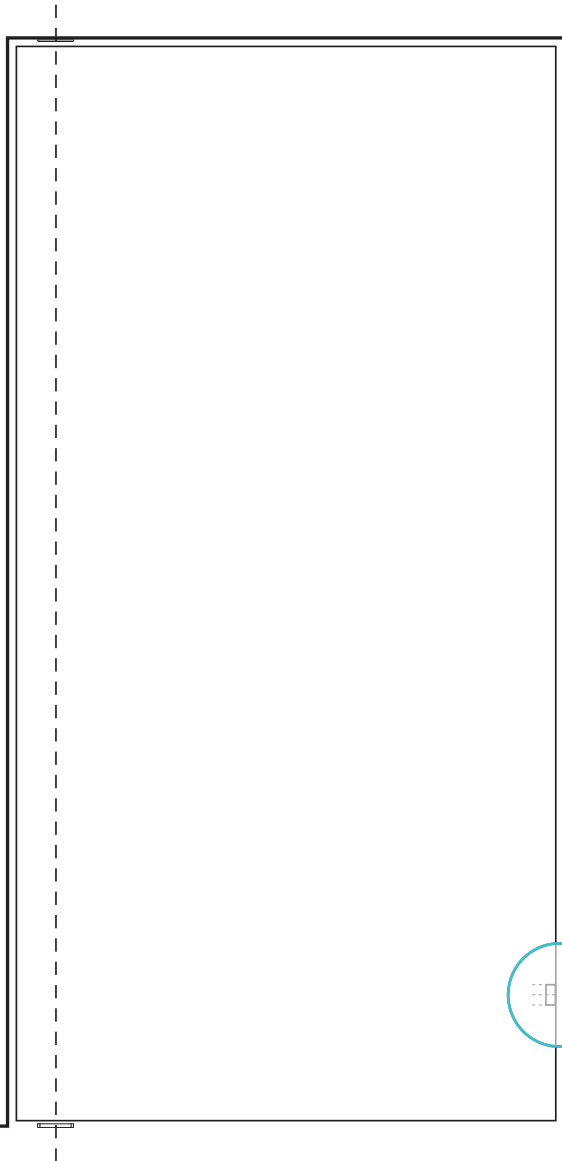


## INSTALLATION





## ACCESSORIES: FLUSH



The Flush consists of two strong magnets. These are mounted in the bottom side of the pivot door and the adjacent wall. The Flush hereby strengthens the 0° position of every pivot door, regardless its size or weight. The pivot door is always perfectly in line with the adjacent wall or door. A seamless junction, fully 'flush'.

# FLUSH

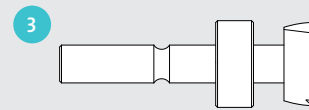
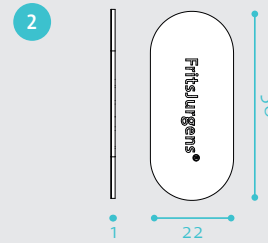
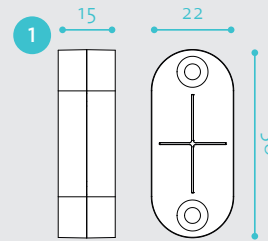
## SPECIFICATIONS

Types	FritsJurgens Flush - stainless steel (FJ707001) FritsJurgens Flush - black (FJ707002) Optional: Forstner drill bit Ø22 mm with clamping ring (FJ707100)
-------	---

Dimensions	50 x 22 x 15 mm
------------	-----------------

## FOR TYPES OF DOORS

Door acting	Double-action Single-action
Weight capacity	N/A
Door width	N/A
Door height	N/A
Pivot point	N/A
Min. door thickness	40 mm

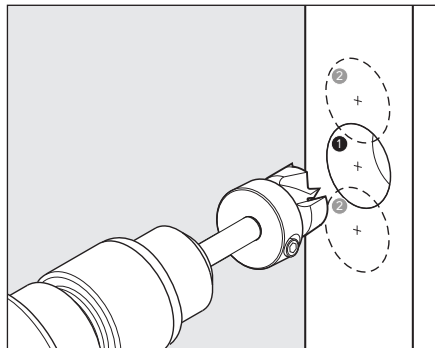


## FLUSH COMPONENTS

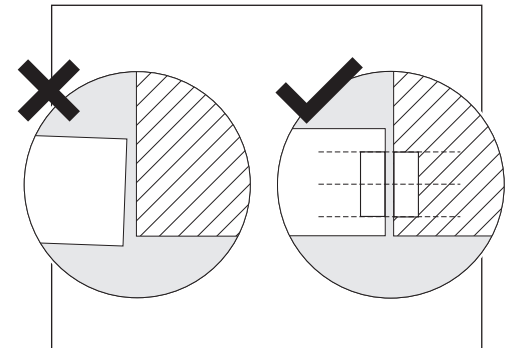
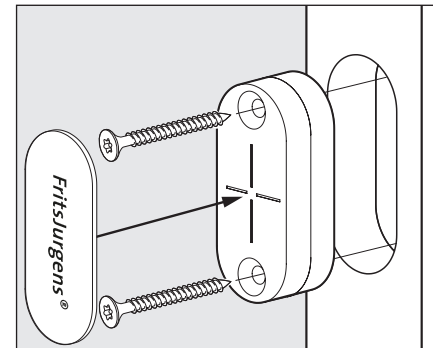
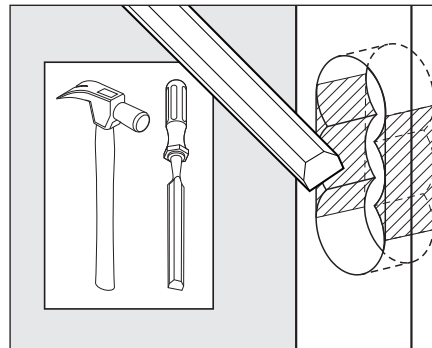
1. Magnets (2x)
2. Cover plates (2x)
3. Optional: drill bit Ø22 mm

Cover plates in stainless steel or black

## INSTALLATION

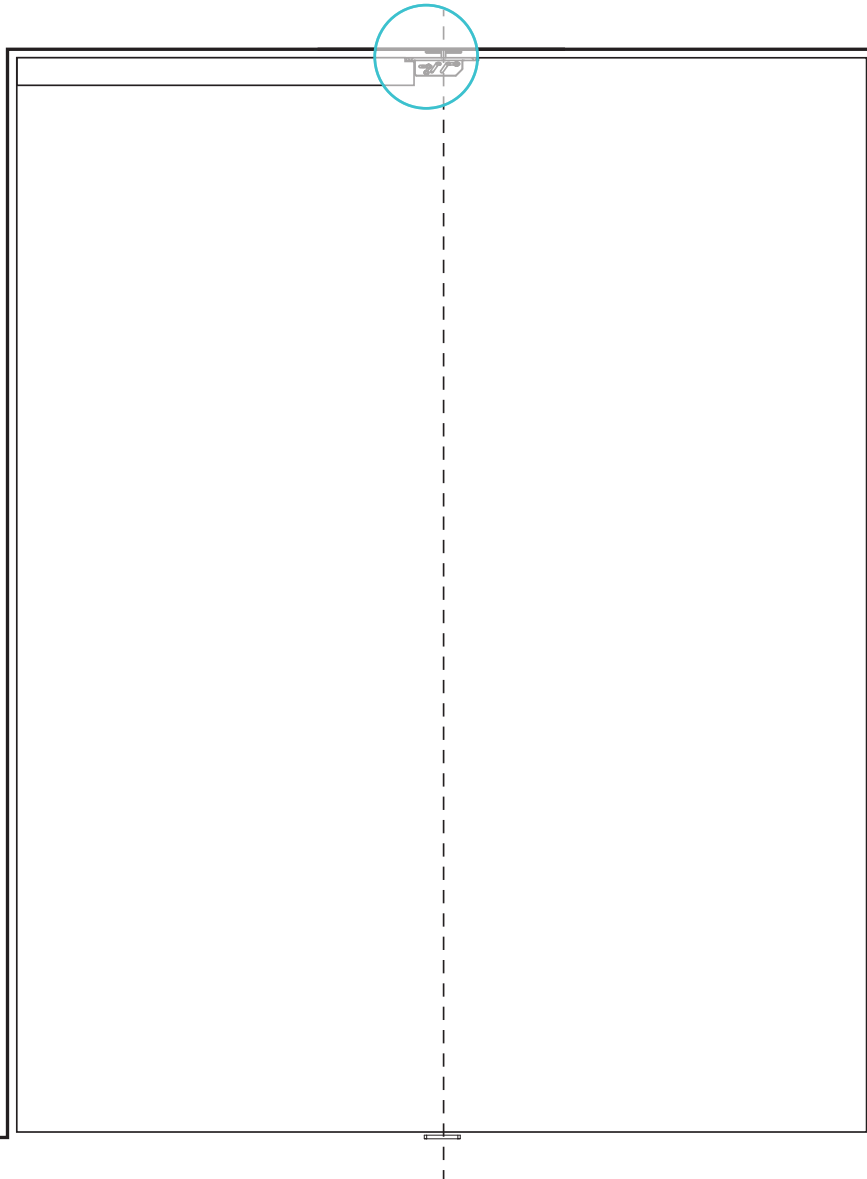


Recommended for use:  
Forstner drill bit Ø22 mm  
Optional to order



Door seam <---->  
3.0 mm - 6.0 mm

## HEXAGON GUIDE



The Hexagon Guide can ease the installation of the pivot door.  
The minimum distance from the pivot point to the edge of the door is 40 mm and the maximum distance is the middle of the door width.

When the pivot point is greater than 280 mm from the edge of the door, the Hexagon Guide can help to make the installation even easier.

# HEXAGON GUIDE

## SPECIFICATIONS

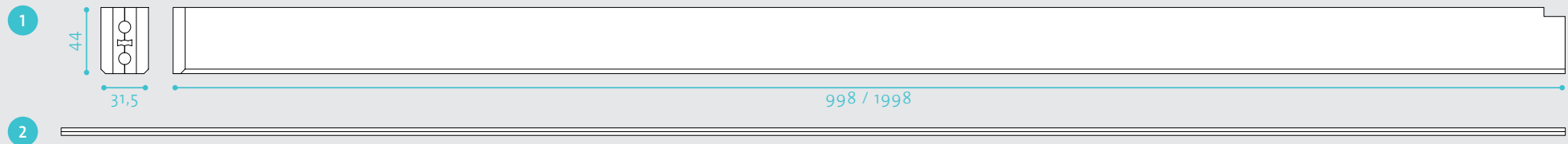
Types	FritsJurgens Hexagon Guide - 1 metre length (FJ706000) FritsJurgens Hexagon Guide - 2 metre length (FJ706200)
Dimensions	1M: 998 x 31.5 x 44 mm   2M: 1998 x 31.5 x 44 mm

## FOR TYPES OF DOORS

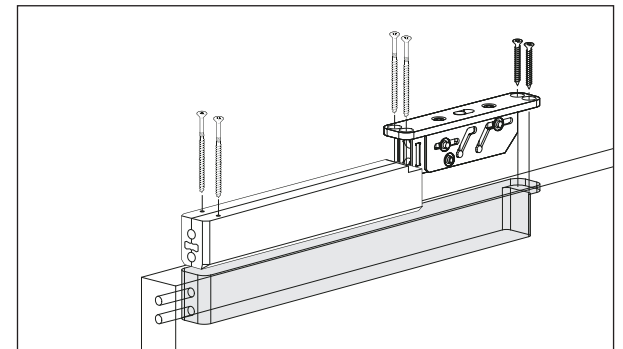
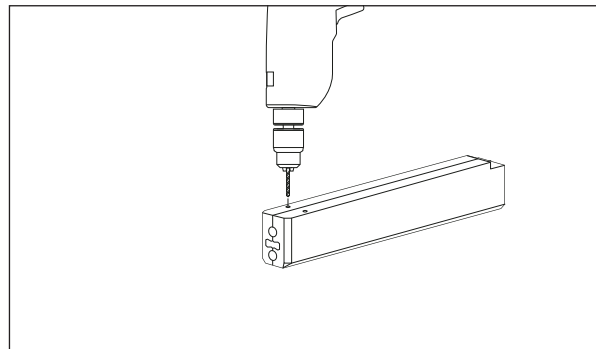
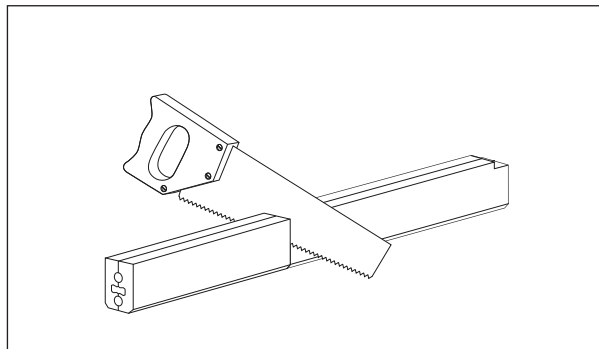
Door acting	Double-action Single-action
Weight capacity	0-500 KG
Door width	Refer to the system it is to be used with
Door height	Unlimited
Pivot point	Min. 280 mm from pivot point to short side
Min. door thickness	40 mm

## HEXAGON GUIDE COMPONENTS

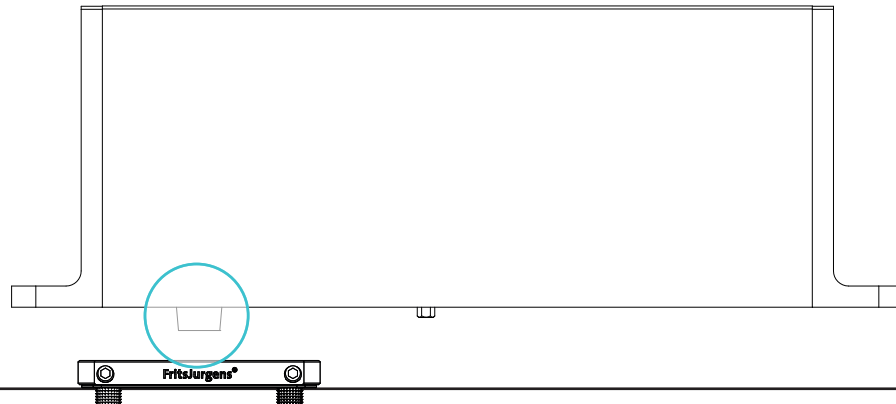
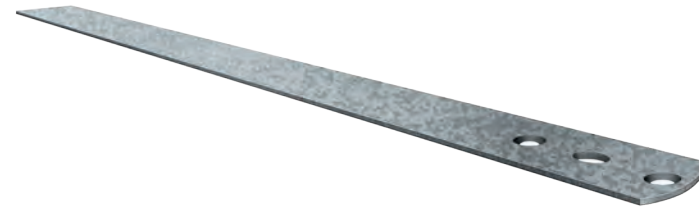
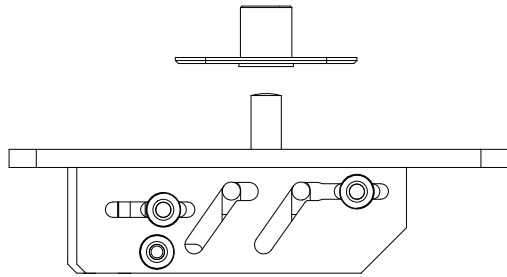
1. Hexagon Guide
2. Hexagon key



## INSTALLATION



## AXLE WRENCH



When installing a door fitted with System M / M+, it is very important that the door is installed in its open position. This can be accomplished by using the Axle Wrench to rotate the oval spindle in the bottom of the System M / M+ 90°, pointing the arrow toward the direction the door will be opening (latching side). In case of frequent use it is possible to mount the floor plate on the Axle Wrench.

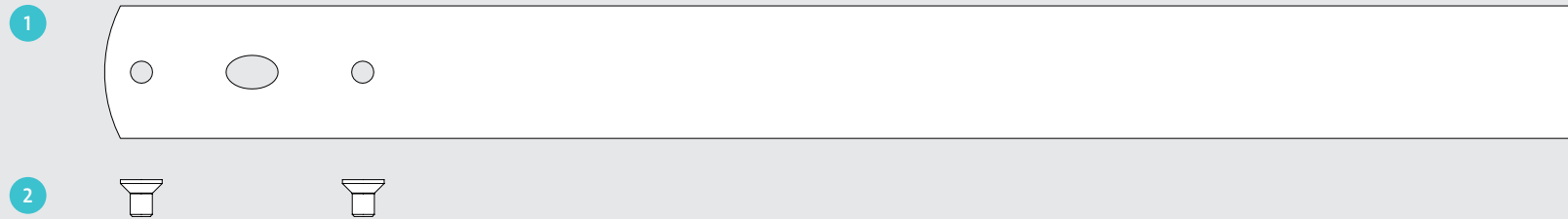
# AXLE WRENCH

## SPECIFICATIONS

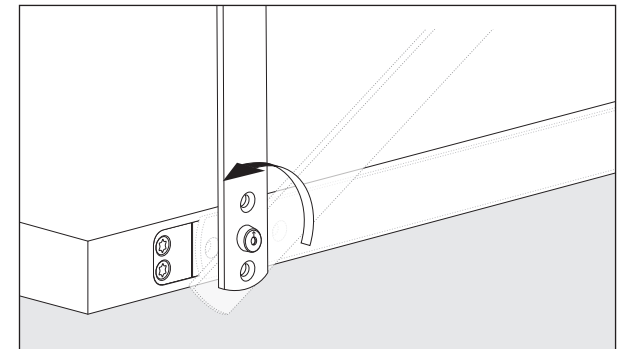
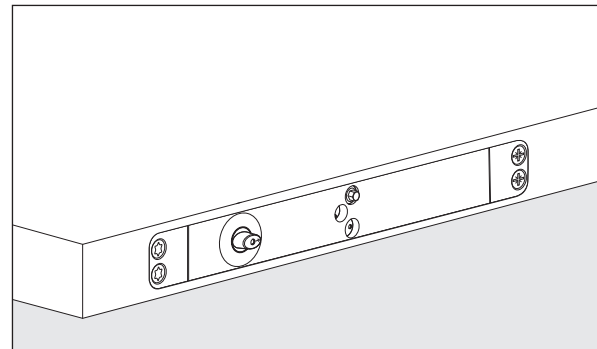
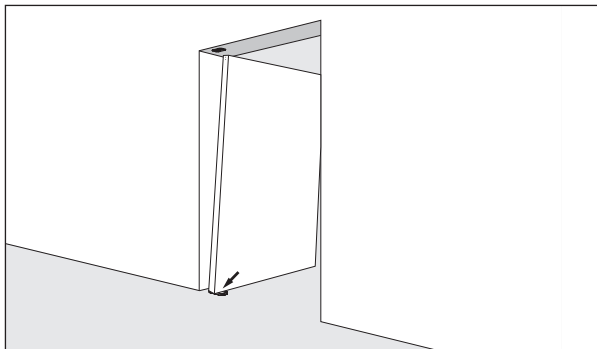
Types	FritsJurgens Axle Wrench (FJ500503)
Dimensions	400 x 36 x 3 mm

## AXLE WRENCH COMPONENTS

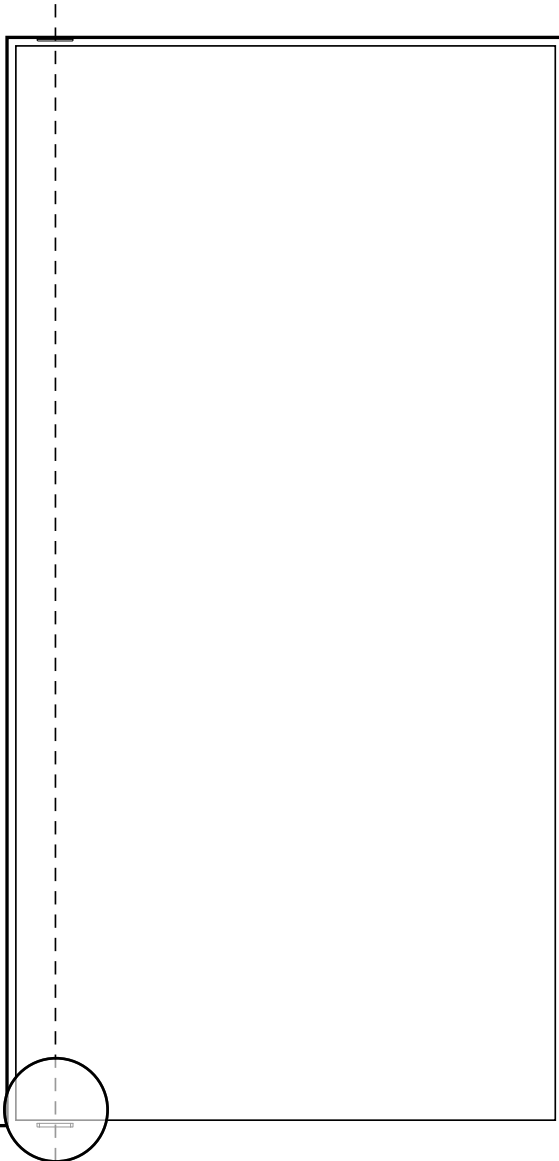
1. Axle Wrench
2. 2x M6 fixing screws (in case of frequent use it is possible to mount the floor plate on the Axle Wrench).



## INSTALLATION



## ACCESSORIES: FLOOR PLATE FLUSH



Suitable for use on internal and external doors. Create an even more seamless transition between rooms or floor finishes by using the FritsJurgens flush floor plate.

The new FritsJurgens flush floor plates are available in either a brushed stainless steel (420 grade), or electro matt black (EMB) finishes. Creating only a 7mm gap from the bottom of the door to the floor surface. This unit is non-adjustable.

The FritsJurgens flush floor plate can be integrated into thresholds & into interior floors. Made of solid tempered steel and therefore fully scratch resistant (excludes the EMB finish).

## ACCESSORIES: FLUSH FLOOR PLATE

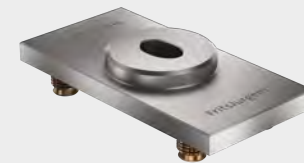
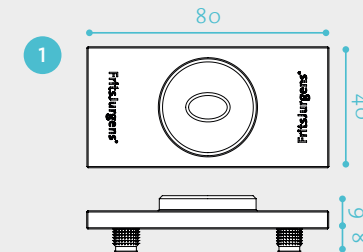
### SPECIFICATIONS

Types	FritsJurgens floor plate Flush square (see below for ordering codes) FritsJurgens floor plate Flush rounded (see below for ordering codes)
Dimensions	80 x 40 x 9 mm

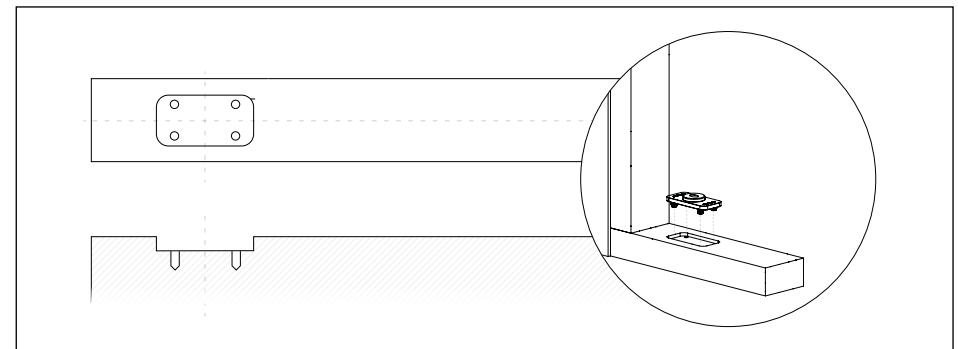
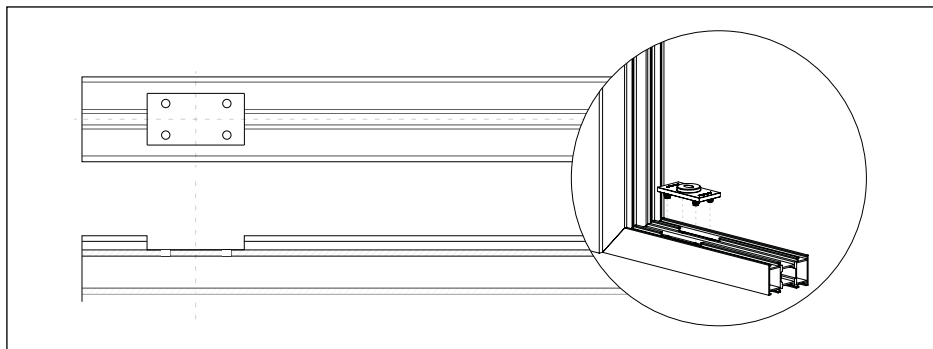
### FOR TYPES OF DOORS

Door acting	Double-action Single-action
Weight capacity	0-500 KG
Door width	N/A
Min. door thickness	40mm
Pivot point	Min. 40 mm from pivot point to short side
Ordering codes:	FJVP8040MSS/FLSQ - Flush square end floor plate - Satin stainless steel FJVP8040MEMB/FLSQ - Flush square end floor plate - Electro matt black

It is also possible to upgrade a kit you are purchasing to include the flush floor plate. Please contact Bellevue Architectural for assistance.



### INSTALLATION





## ACCESSORIES: THOMSON SUB-STRATA FLOOR PLATE & PACKERS

### Function

Australian designed & made to provide enhanced strength to the sub-strata surface when mounting the FritsJurgens floor plate when using the FritsJurgens range of pivot hinges.

As a result of stresses due to door size and weight, the sub-strata surface may not be suited to carry the load. By spreading the stresses of a large moving heavy door over a wider area than just the FritsJurgens floor plate, you can reduce the risk of the sub-strata surface cracking.

Added benefits include slab edge mounting, packers to build up to floor height, predefined positions on the base plate for mounting of the packers and pivot floor plate.

There are three mounting positions available on the base plate; edge, side and middle mounting.

### Components

1 x Sub Strata Base Plate (182 x 100 x 6mm)  
1 x 10mm Base Plate Packer  
1 x 5mm Base Plate Packer  
1 x 3mm Base Plate Packer  
2 x 1mm Base Plate Packer  
8 x M8 Mounting Bolts

### Specifications

#### FritsJurgens modles

All

#### Weight capacity

0-500 KG

#### Door width

Max 5000mm

#### Material

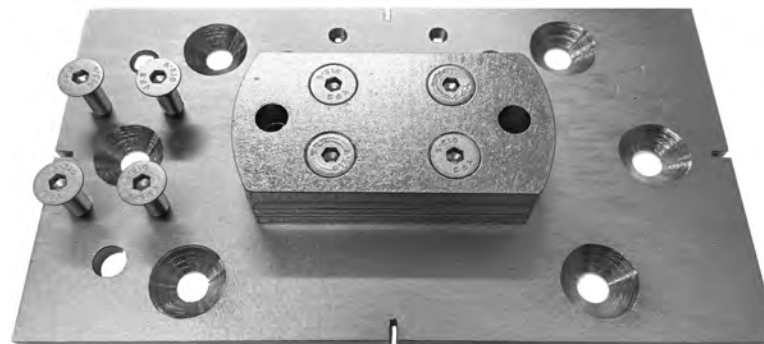
Galvanised stainless steel

#### Pivot point

Min. 40 mm from pivot point to short side

#### Ordering codes:

TFBP1 - Full kit  
TFBP2 - 3mm Base Plate Packer  
TFBP3 - 5mm Base Plate Packer



## ACCESSORIES: SCHALL-EX® L15/30 WS PIVOT DROP SEAL

**Function** Until now, traditional drop seals have been fouled by the floor spring hardware or the nature of how the unit engages. These and other issues have now been addressed by the very clever adjustable roller actuator, thanks to Athmer.

The actuator has been designed to engage the drop seal not by pressing against a specific spot on the jamb, but rather, by rolling against an area of the jamb.

This difference in engagement of the seal can't be understated. The roller actuator allows the Athmer Schall-Ex® L15/30 WS Pivot to smoothly engage the seal and not create pressure on a traditional drop seal actuator that cannot cater for pivot door movement which is different than traditional hinged swing door movement.

The Athmer Schall-Ex® L15/30 WS Pivot is available in multiple lengths up to 2000mm and is designed to be used at the top and / or bottom of the door, providing sealing of the door top & bottom. By combining the Schall-Ex® L15/30 WS Pivot with the Athmer magnetic side strips, you can achieve a complete door seal. Something that has been so hard to achieve in the past.

### Specifications

FritsJurgens models	All
Actuator	Roller
Door width	635 upto 2000mm
Max seal travel	20mm
Position	Top and bottom of door
Ordering codes:	BAA946/0820   820mm can be shortened to 635mm BAA946/0920   920mm can be shortened to 760mm BAA946/1070   1070mm can be shortened to 885mm BAA946/1210   1210mm can be shortened to 1010mm BAA946/1333   1333mm can be shortened to 1135mm BAA946/1583   1583mm can be shortened to 1385mm BAA946/1708   1708mm can be shortened to 1510mm BAA946/1883   1883mm can be shortened to 1635mm BAA946/2000   2000mm can be shortened to 1885mm BAA946/ASS   Actuating roller plate SSS



# BELLEVUE

ARCHITECTURAL

BELLEVUE ARCHITECTURAL

954 Glen Huntly Rd ,

Caulfield South

Victoria 3162 Australia

+ 61 39571 5666

info@bellevuearch.com.au

www.bellevuearch.com.au

# FritsJurgens®

FRITSJURGENS INTERNATIONAL

A. Einsteinlaan 1

9615 TE Kolham

The Netherlands

+31 598 343 410

info@fritsjurgens.com