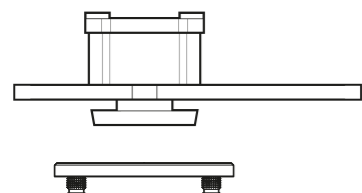


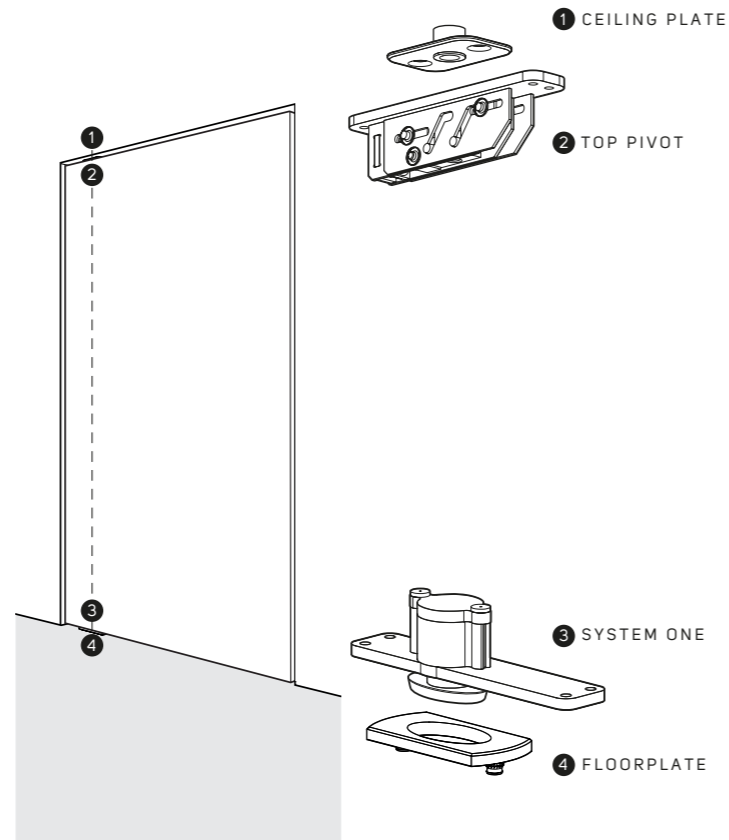
INT-1.5-2019  
MILLING MANUAL

# FritsJurgens®

SYSTEM ONE

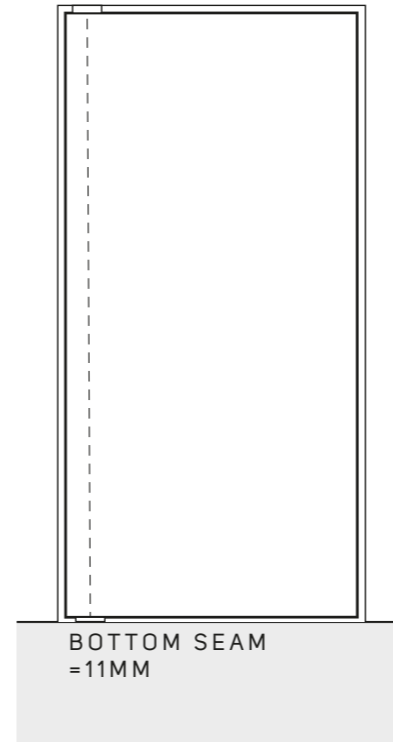


## COMPONENTS SYSTEM ONE



## GAPS AROUND THE DOOR

TOP SEAM  
MIN. 4MM  
MAX. 10MM



## MILLING KIT



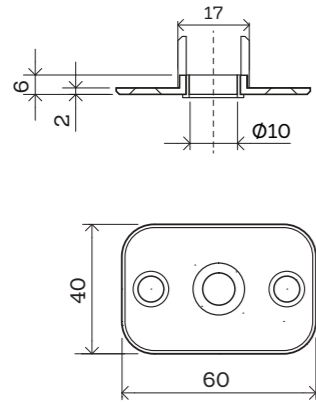
NOTE: MILLING KIT IS FOUND IN PACKAGING  
BELOW THE TOP PIVOT

FRITSJURGENS®  
+31 598 343 410  
INFO@FRITSJURGENS.COM  
WWW.FRITSJURGENS.COM

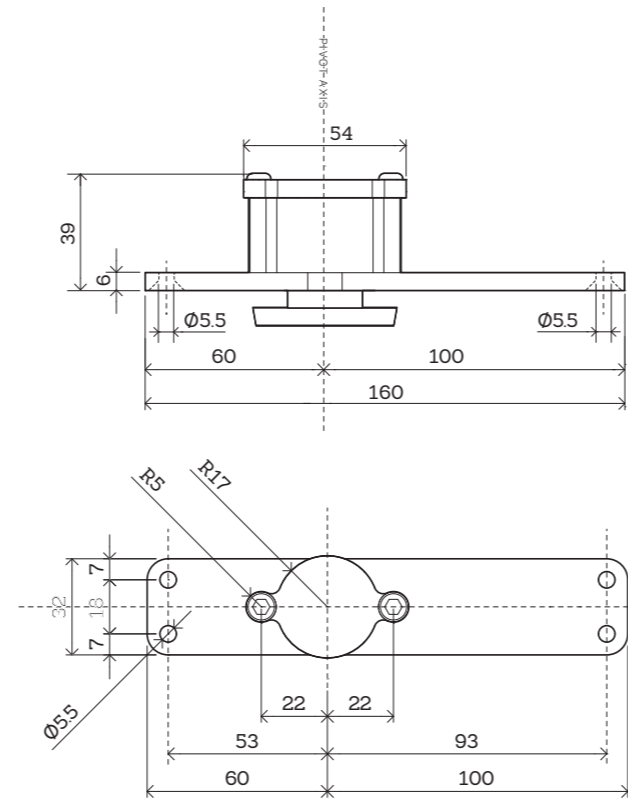


ALSO CONSULT THE  
ONLINE MANUAL

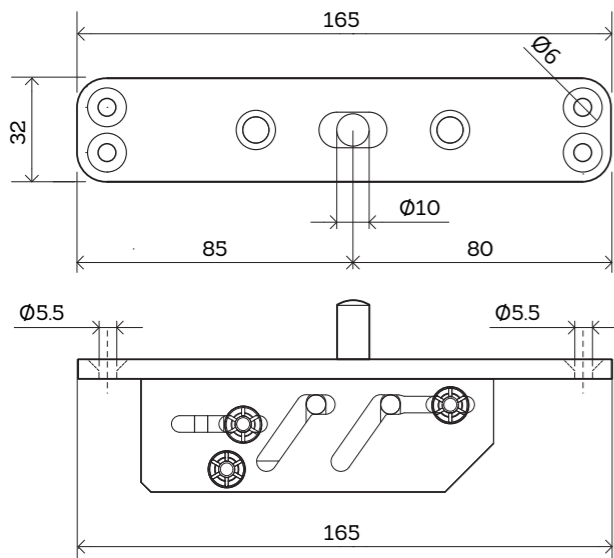
CEILING PLATE



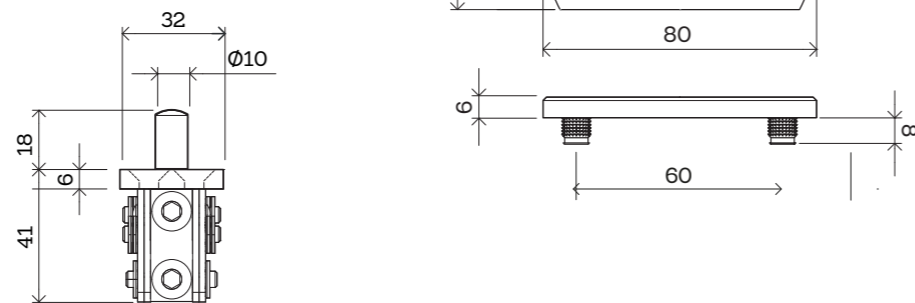
SYSTEM ONE



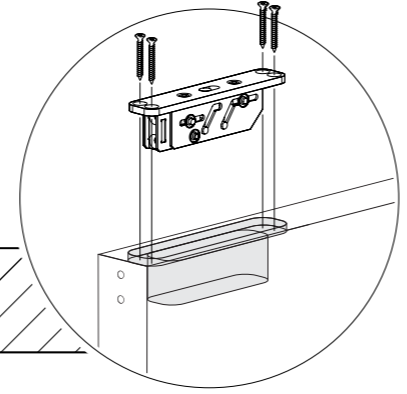
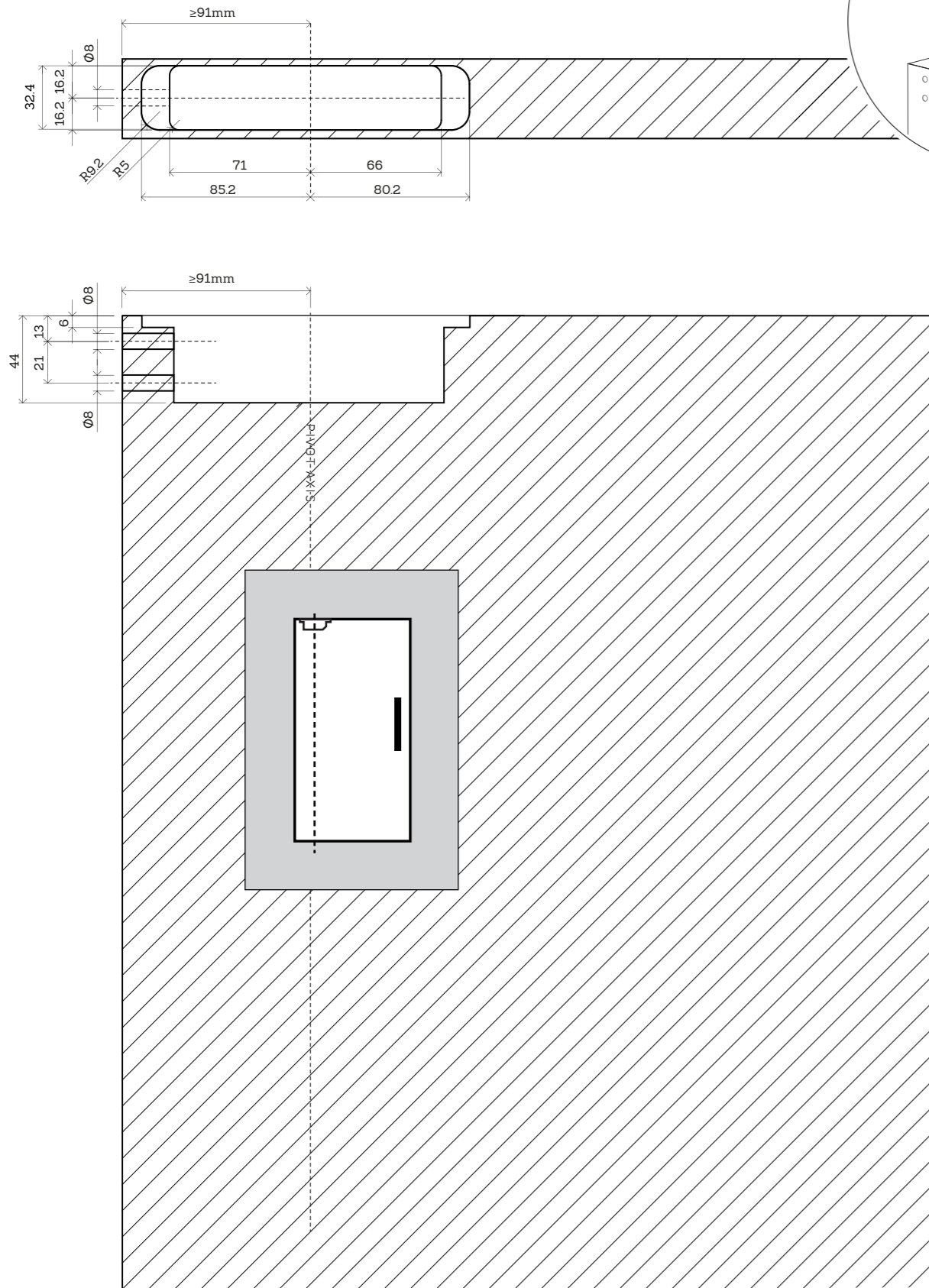
TOP PIVOT



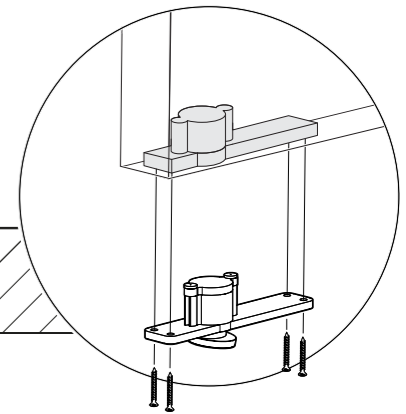
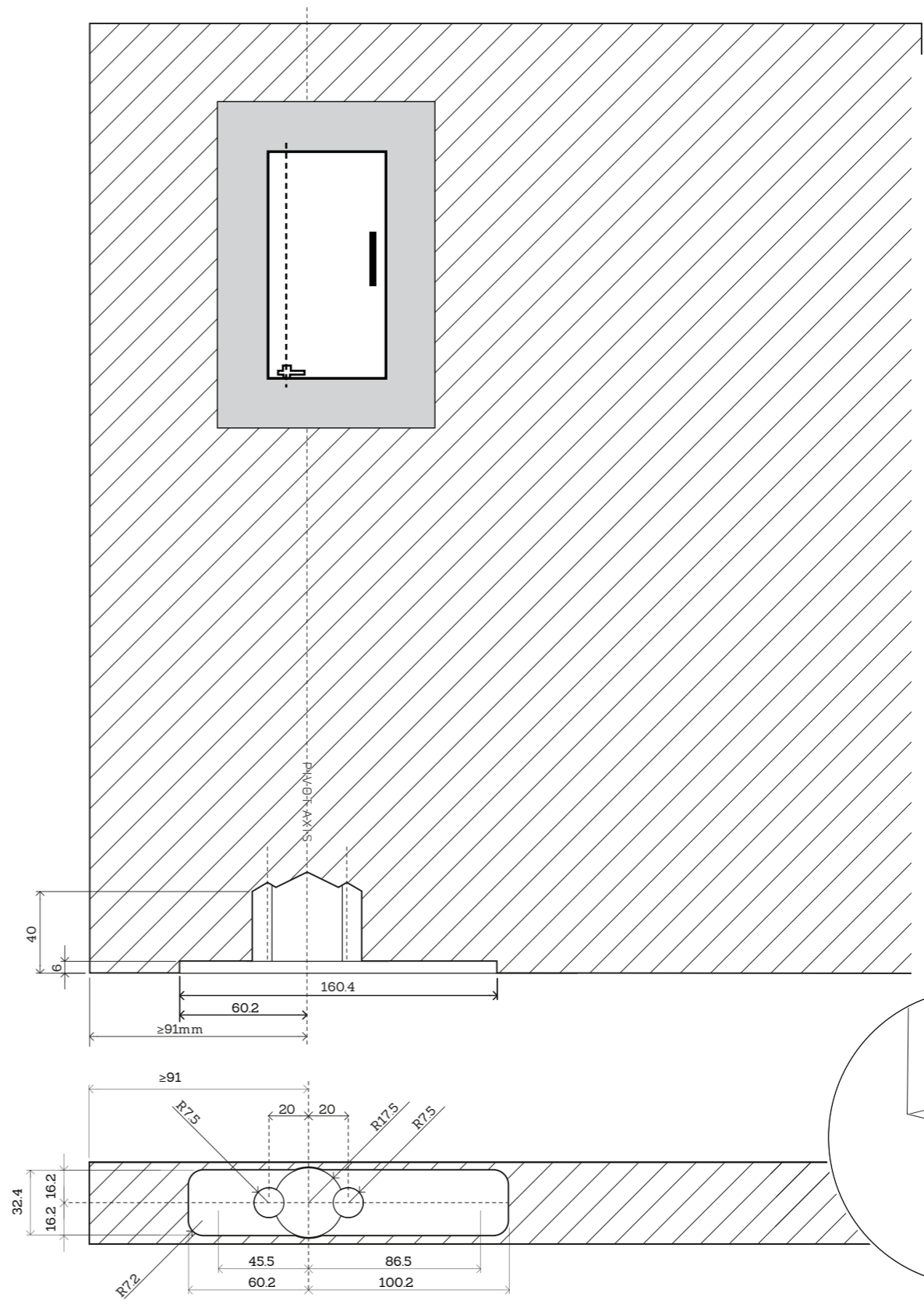
FLOORPLATE



TOP PIVOT



SYSTEM ONE



TOP PIVOT\* \*WHEN X ≥ 280MM / 11IN

