

A minimalist interior space with concrete walls and a large white panel leaning against a wall. A metal chair is visible in the foreground. The scene is lit with a soft, ambient light, creating a clean and modern aesthetic.

SYSTEM M

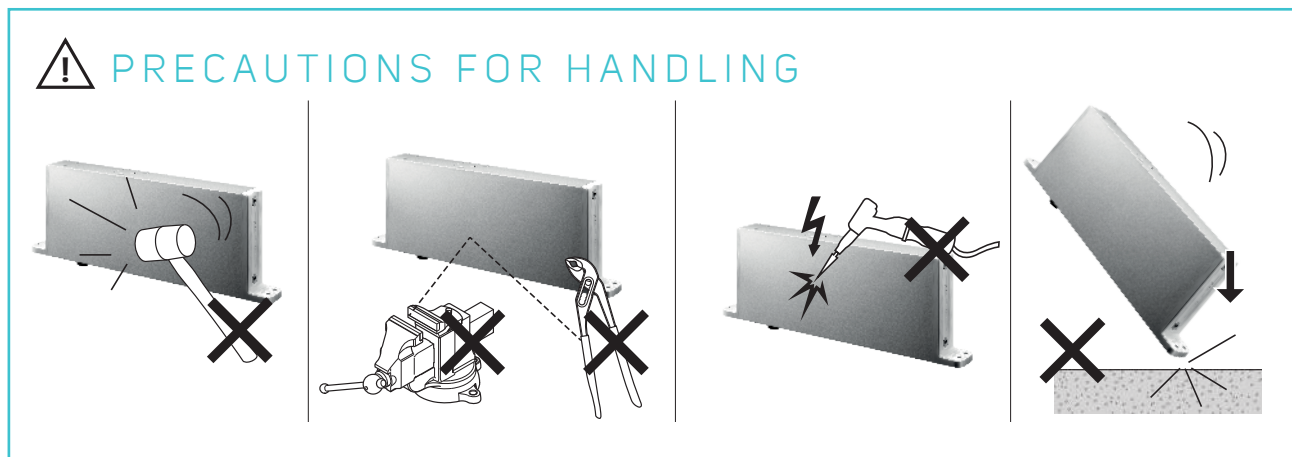
MOUNTING MANUAL

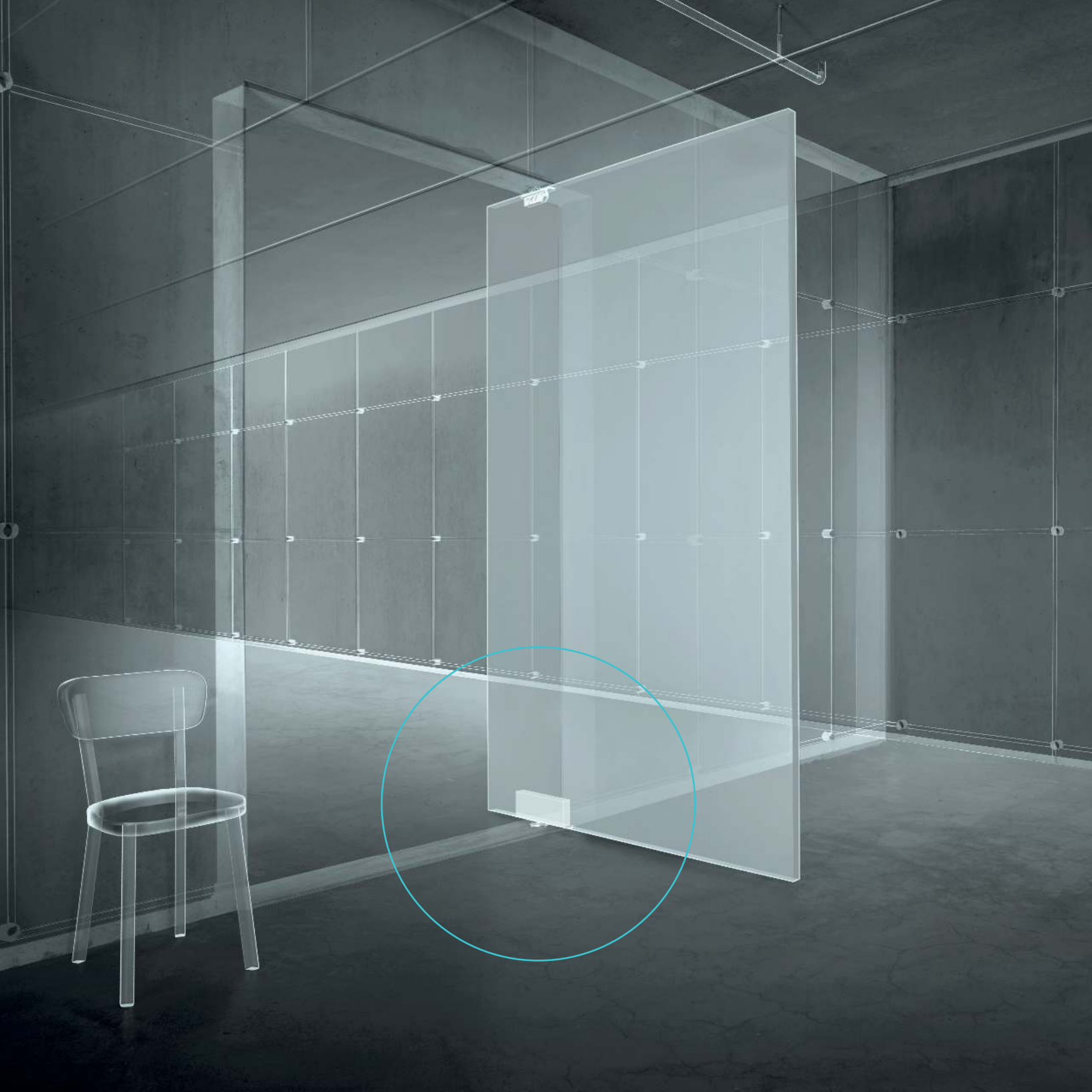
FritsJurgens®

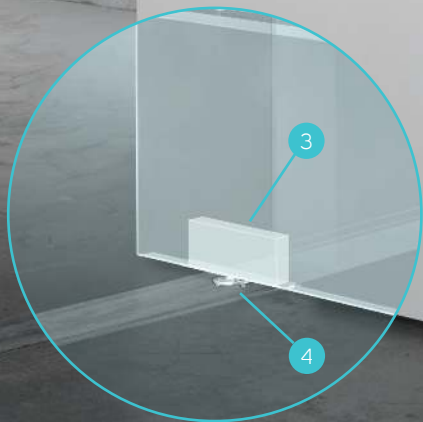
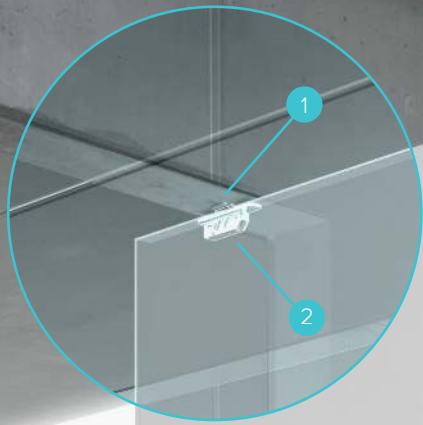
TABLE OF CONTENTS

MOUNTING MANUAL SYSTEM M

- 04 Components
- 06 Technical drawings
- 09 Milling drawings
- 10 Mounting manual
- 20 Closing seam setting
- 22 Setting the radial position
- 23 Setting the closing speed







SYSTEM M COMPONENTS

1 CEILING PLATE



2 TOP PIVOT



3 SYSTEM M



4 FLOORPLATE



A MOUNTING PACKAGE

- A. Allen wrench
- B. Fitting template
- C. Fitting adhesive
- D. Adjustment spanner

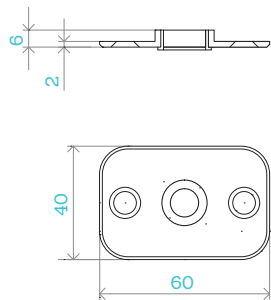
B SCREWS

- A. Screw 6x60 RVS
2x - for fitting ceiling plate
- B. Screw 4x50 RVS
8x - for fitting System M and top pivot

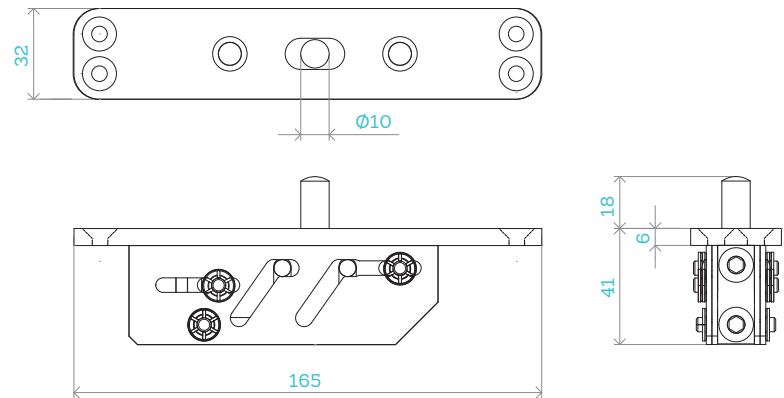
SYSTEM M

TECHNICAL DRAWINGS

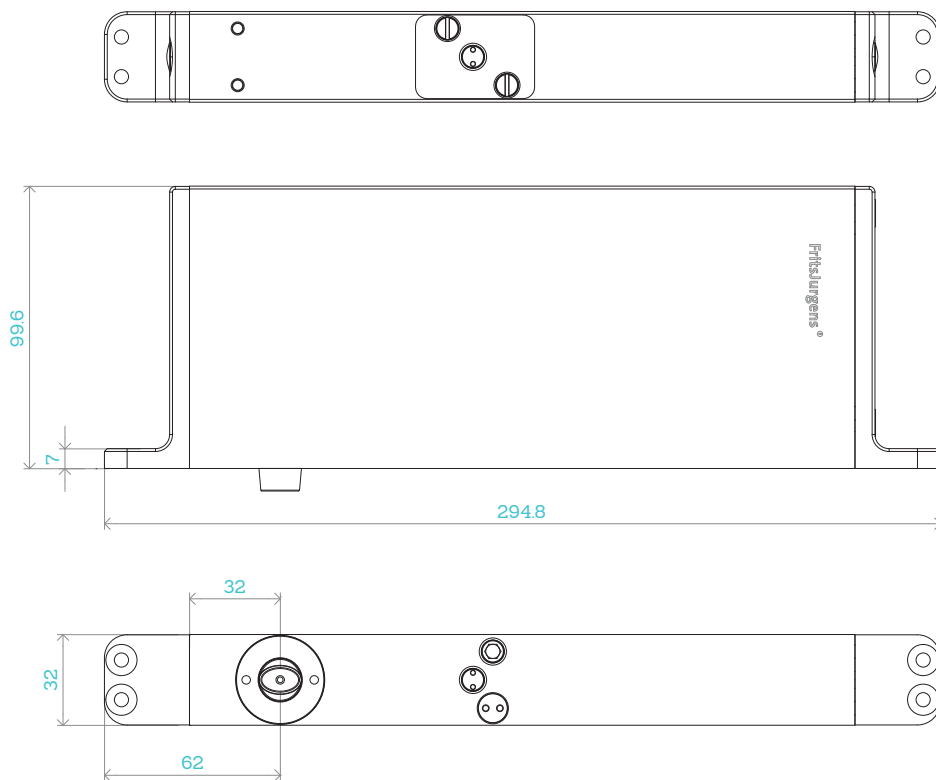
CEILING PLATE



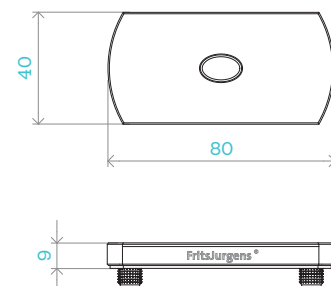
TOP PIVOT



SYSTEM M



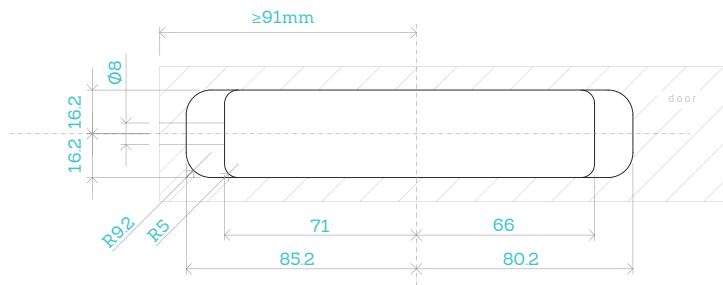
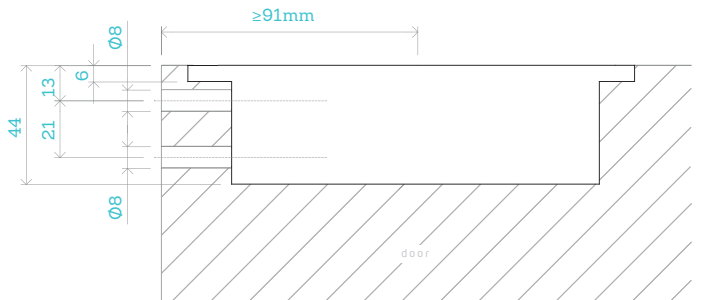
FLOORPLATE



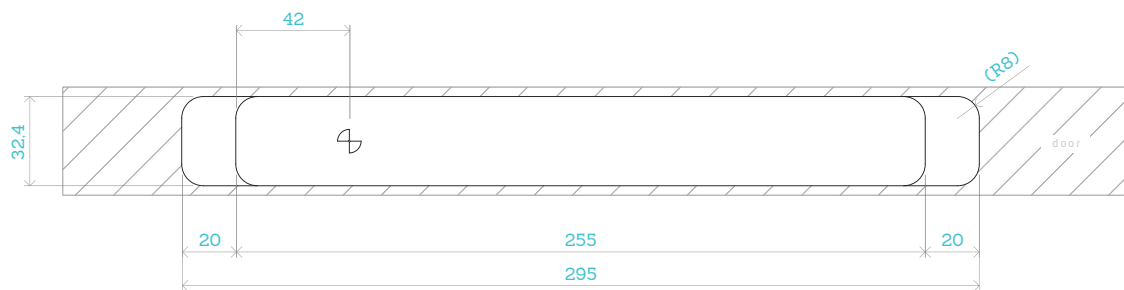
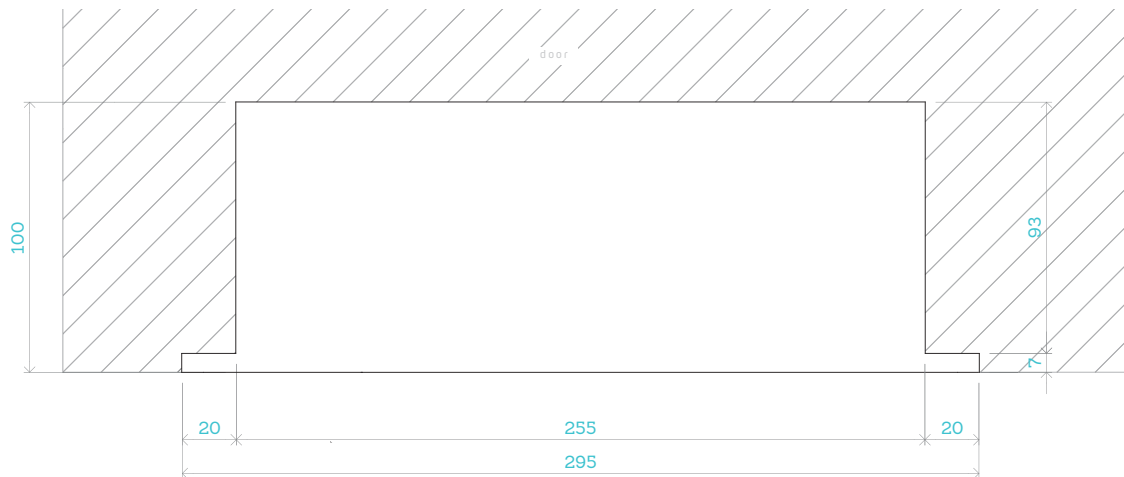
SYSTEM M

MILLING DRAWINGS

TOP PIVOT



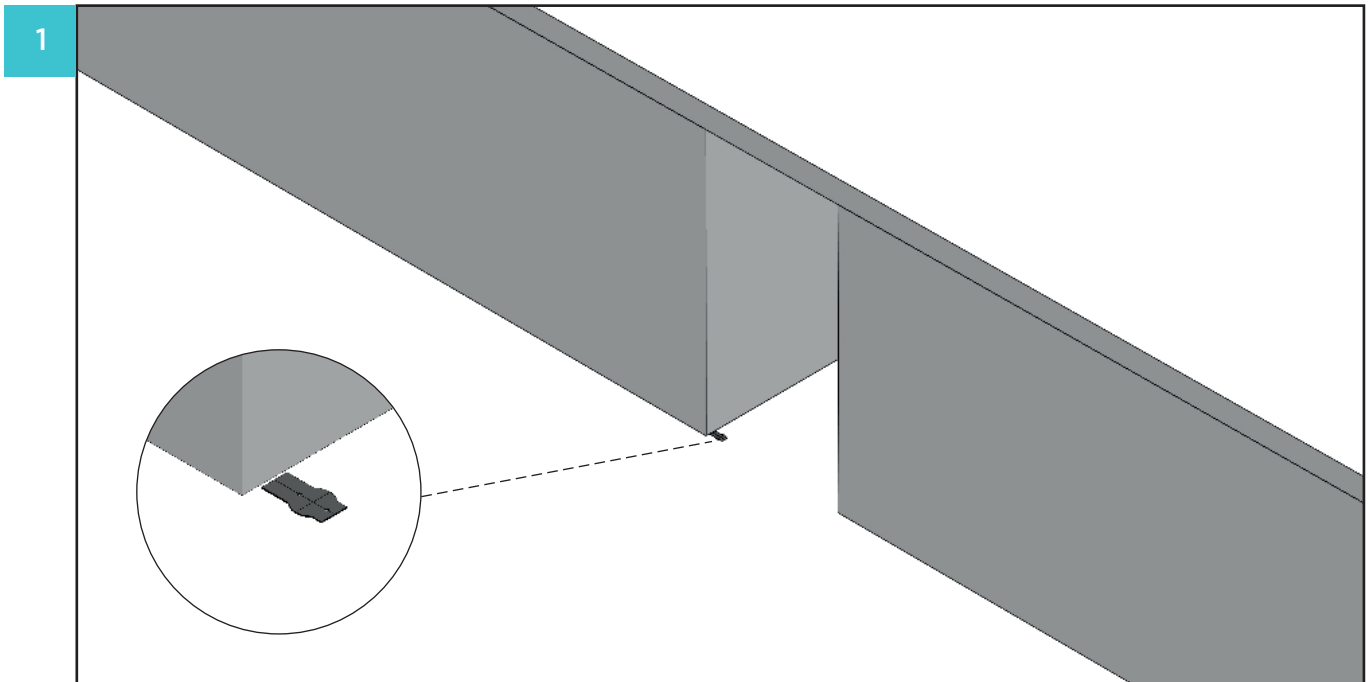
SYSTEM M



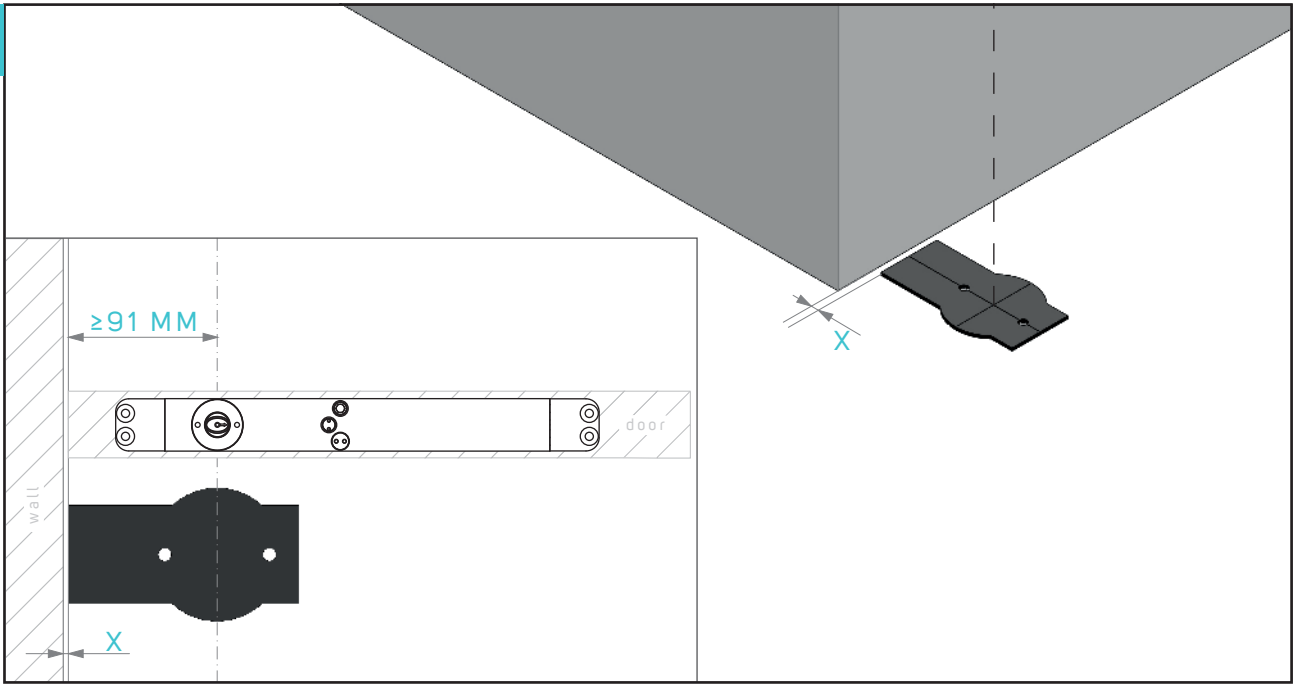
9 All dimensions in mm.

SYSTEM M

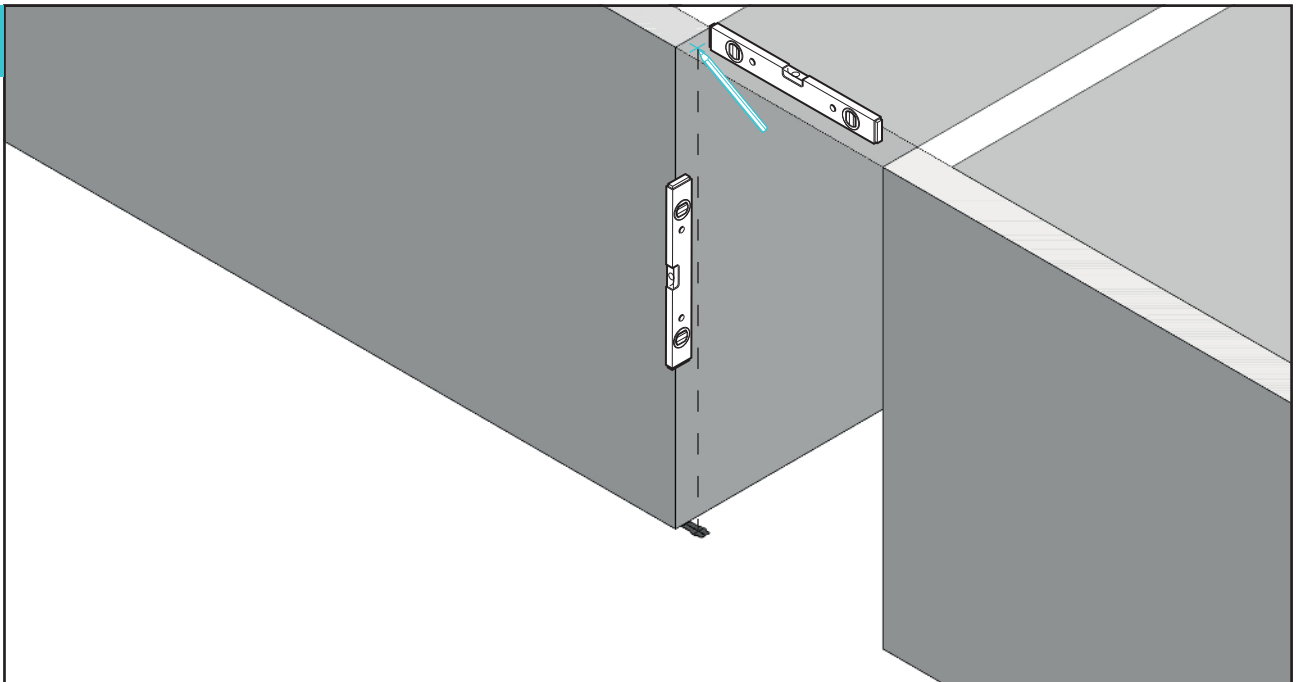
MOUNTING MANUAL



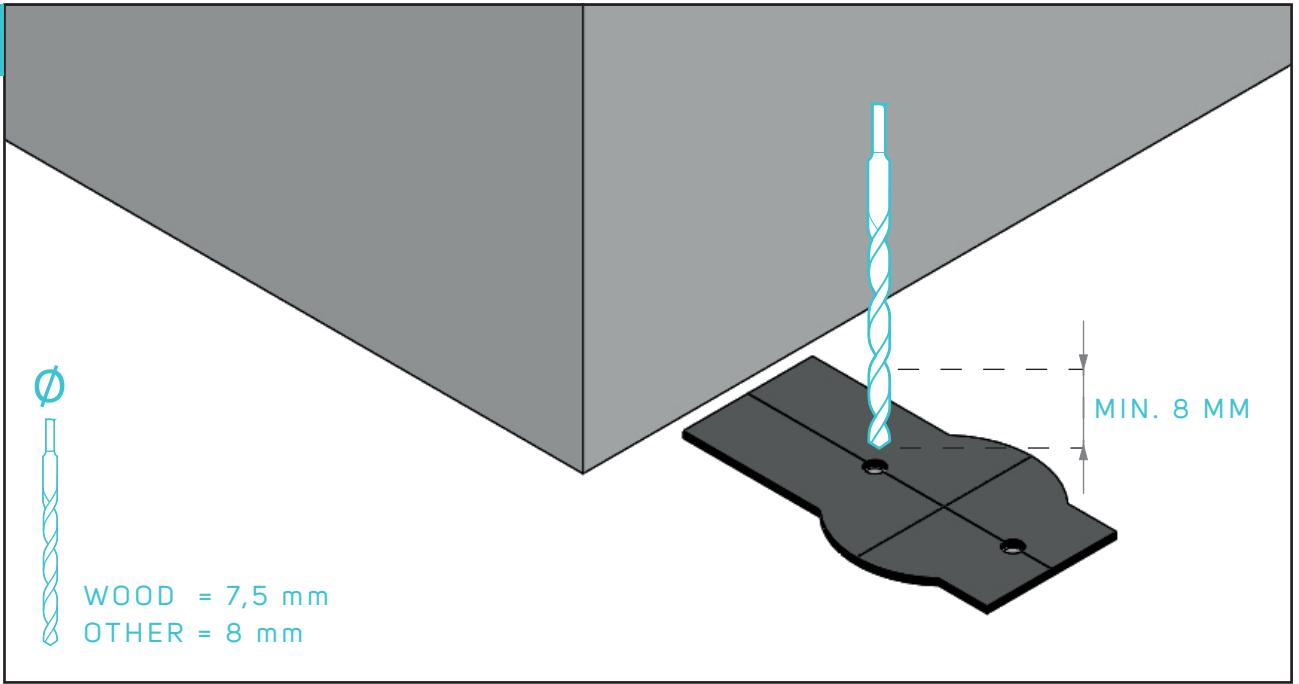
2



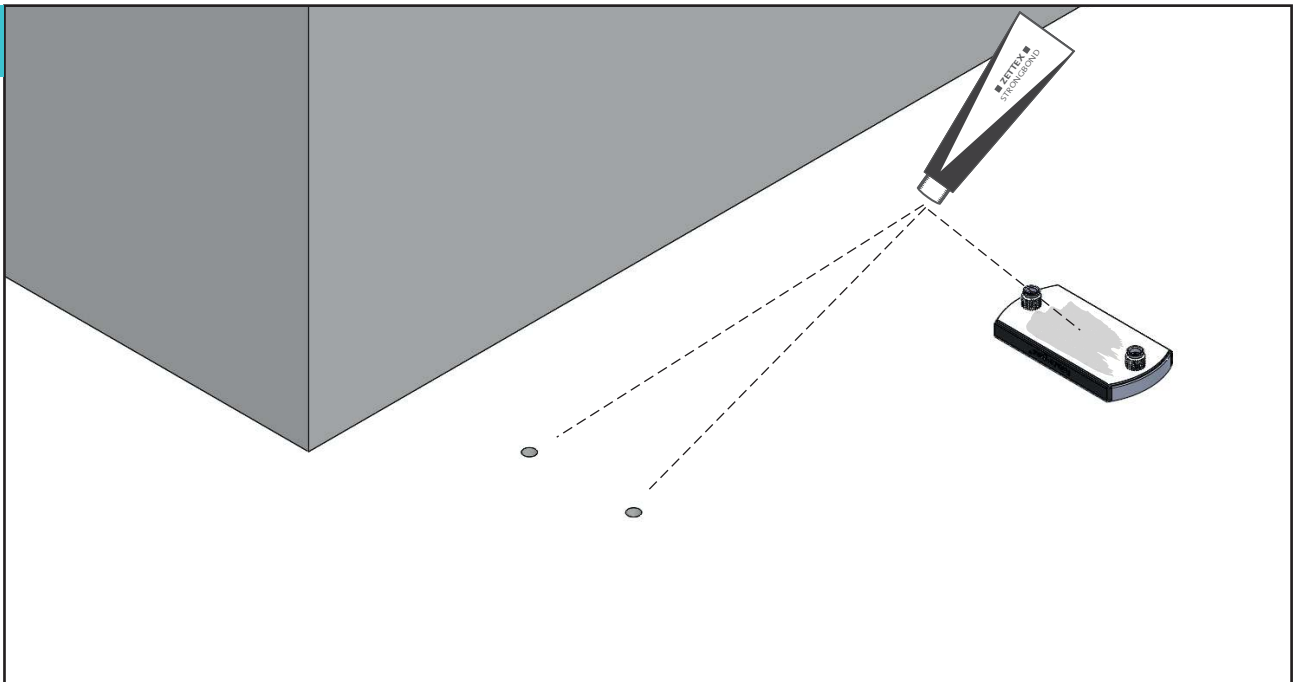
3



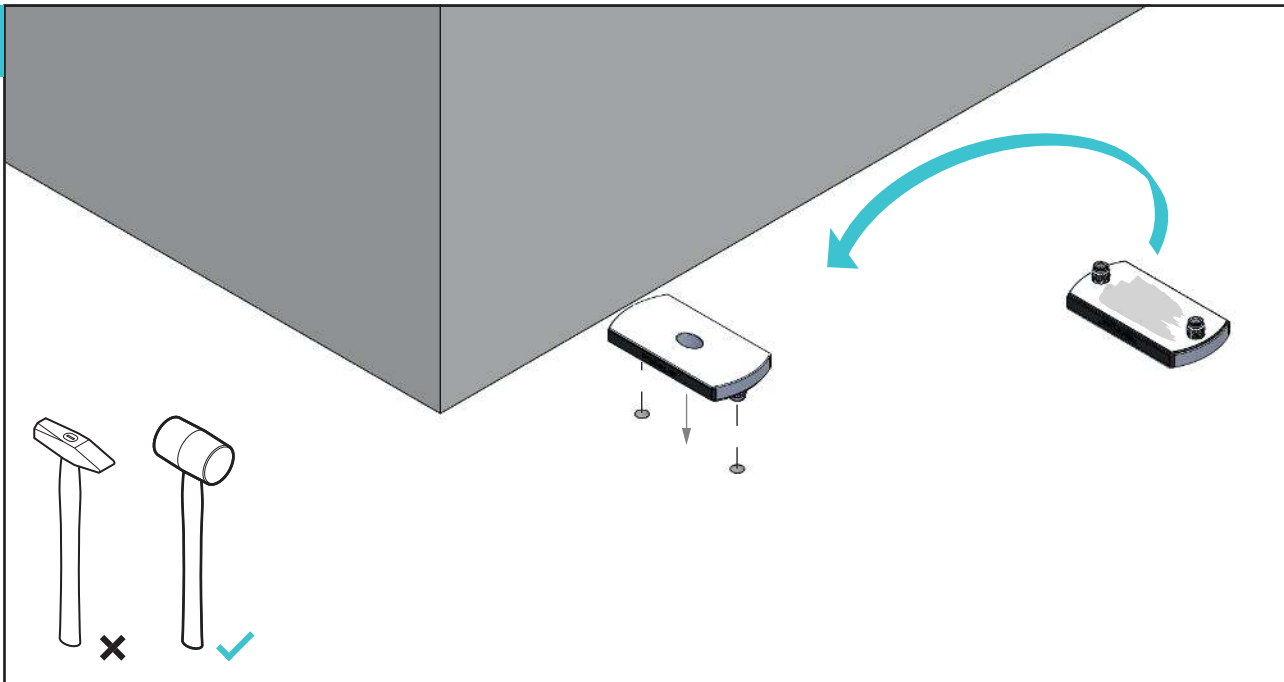
4



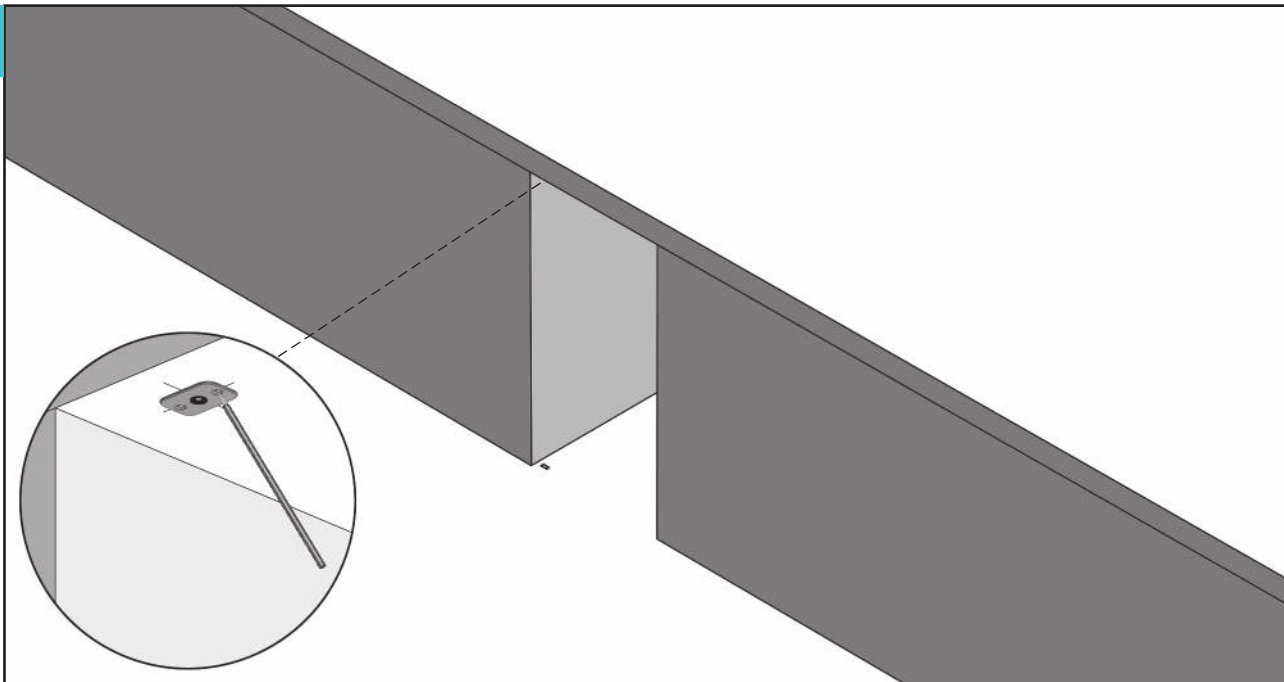
5

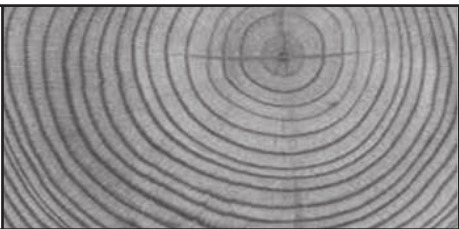

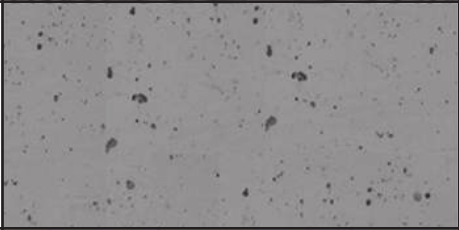





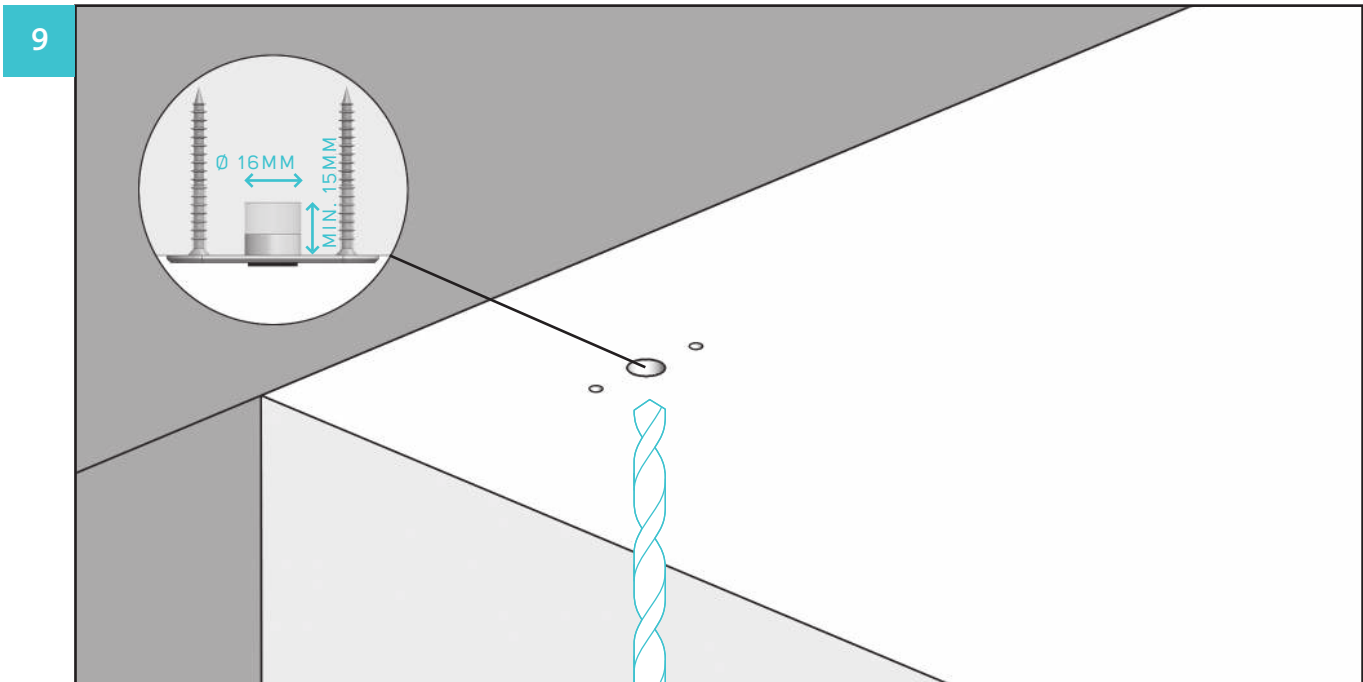
6



7



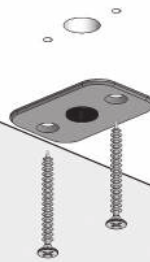
8	WOOD		
STONE		<p data-bbox="812 341 844 373">*</p> 	
STEEL		<p data-bbox="812 568 844 600">*</p>  <p data-bbox="958 682 1006 714">M5</p> <p data-bbox="1364 698 1461 747">* EXCL.</p>	



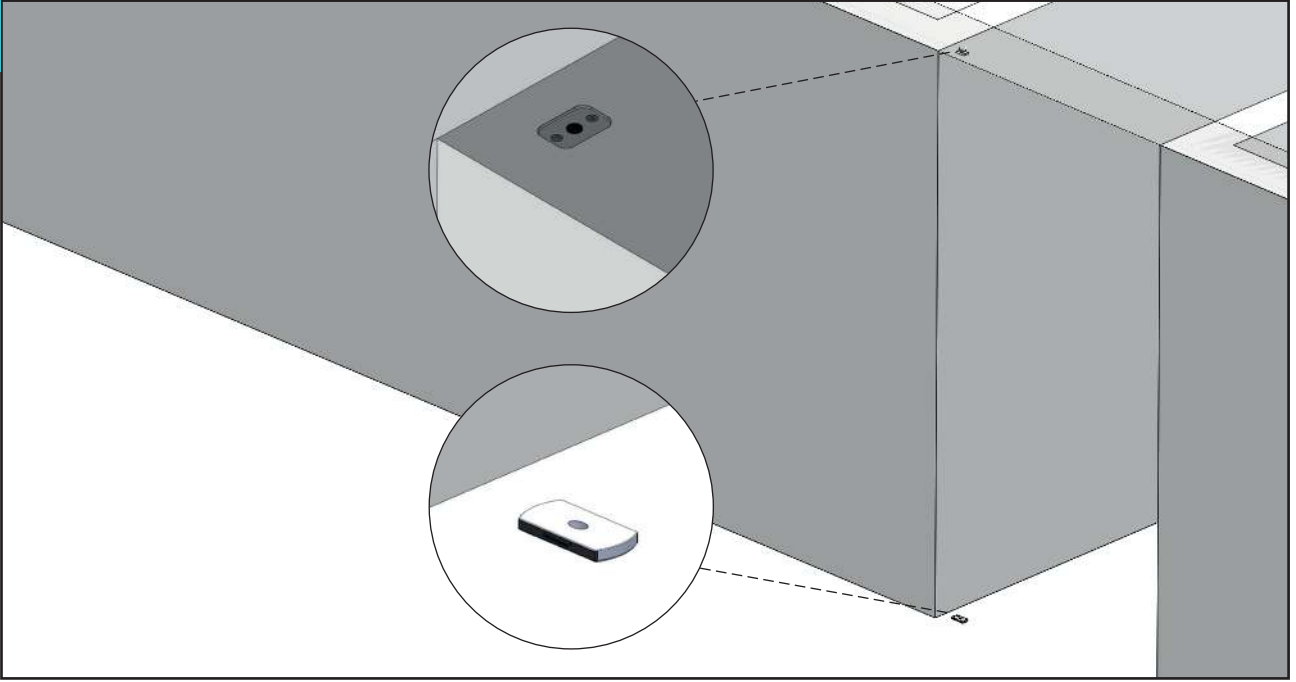
10



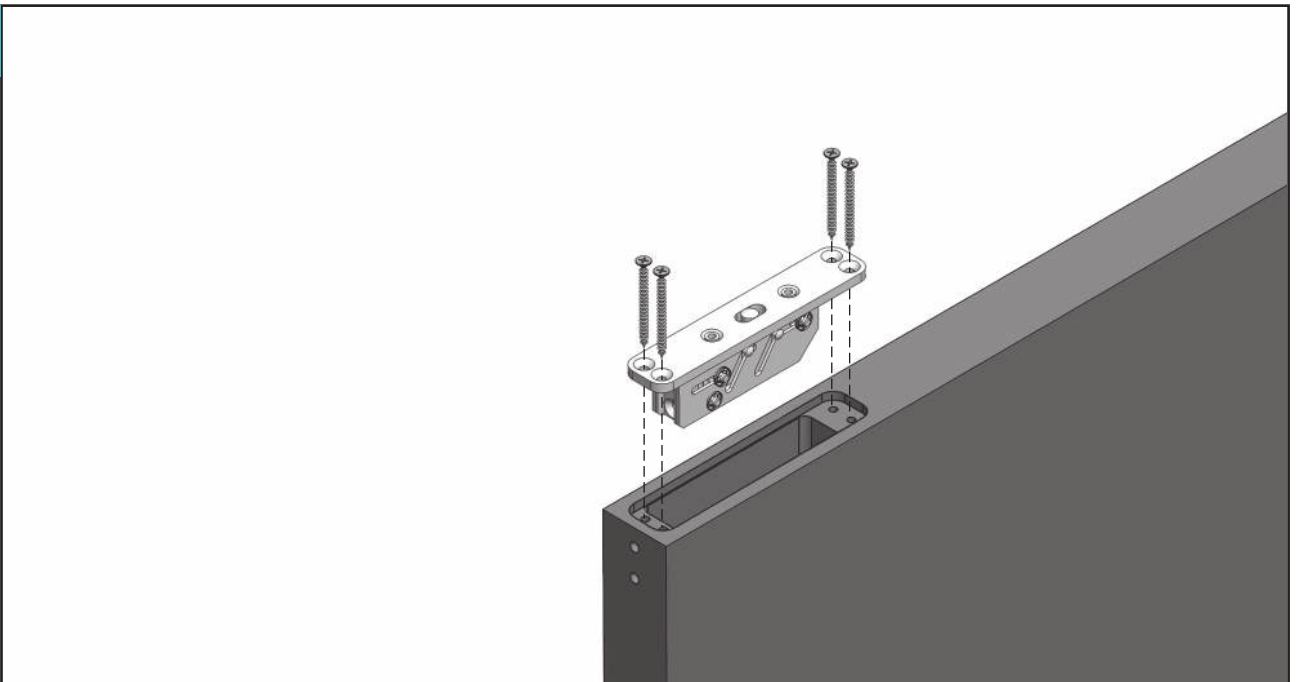
11



12

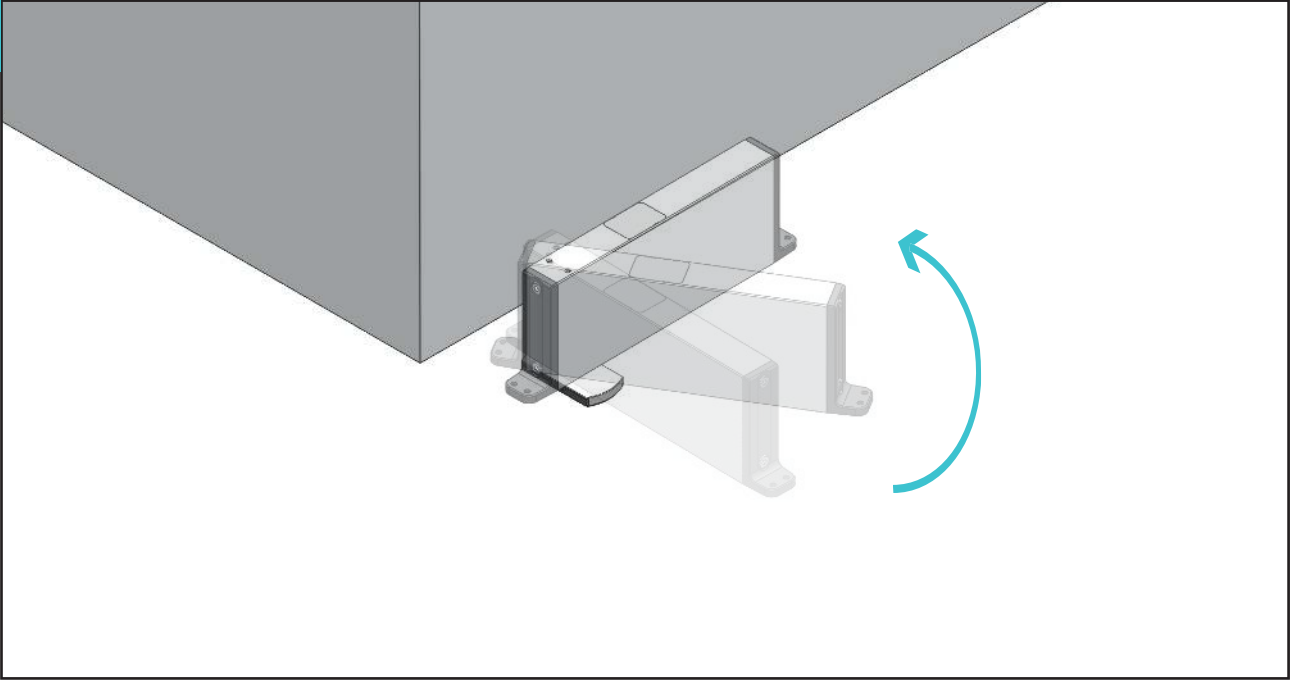


13

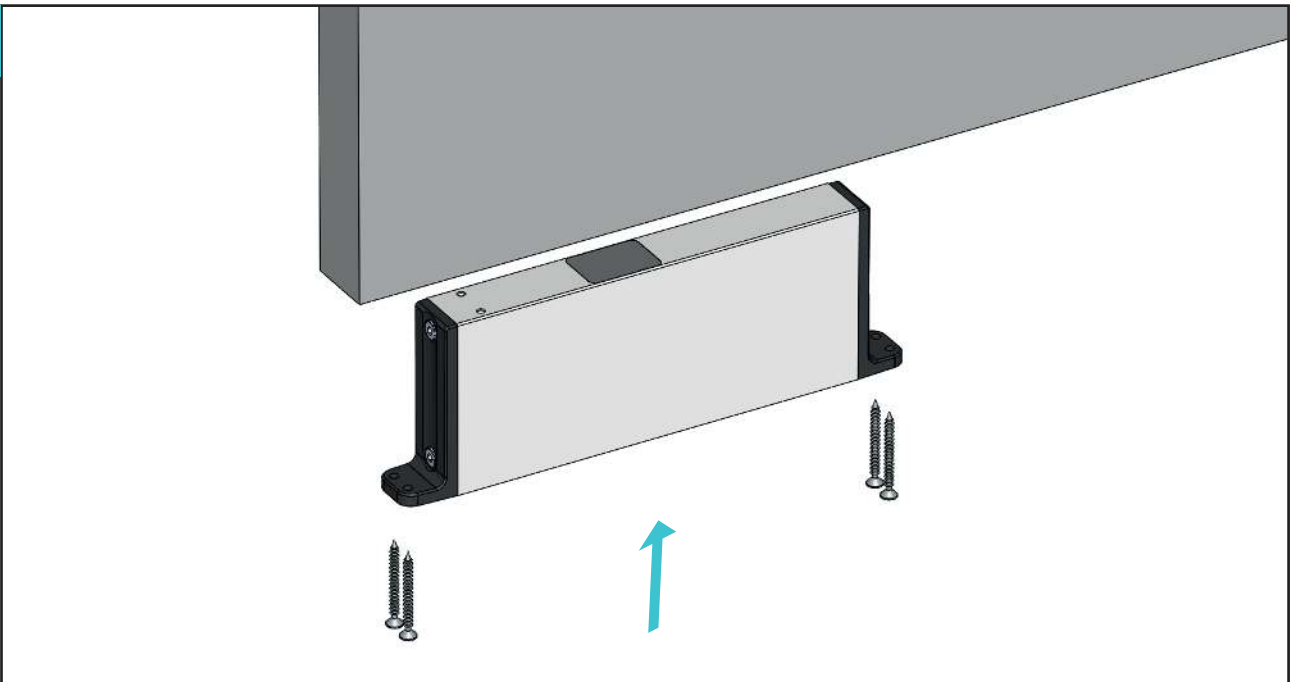


16

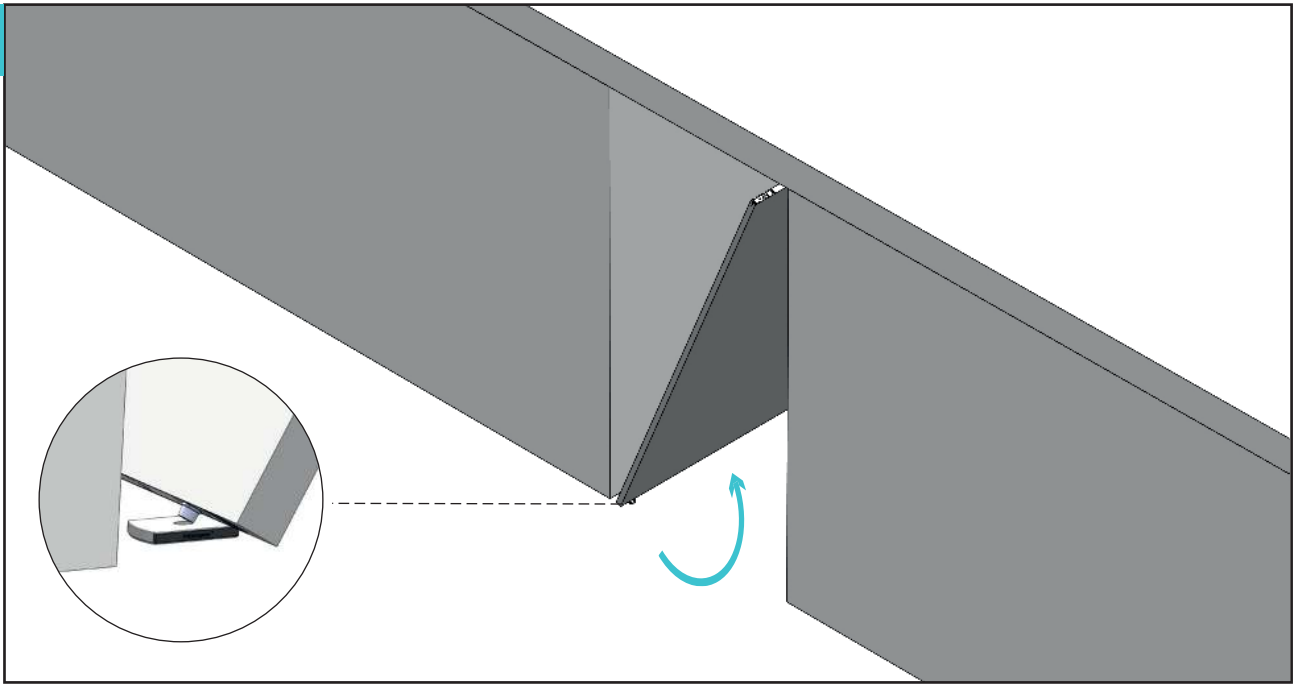
14



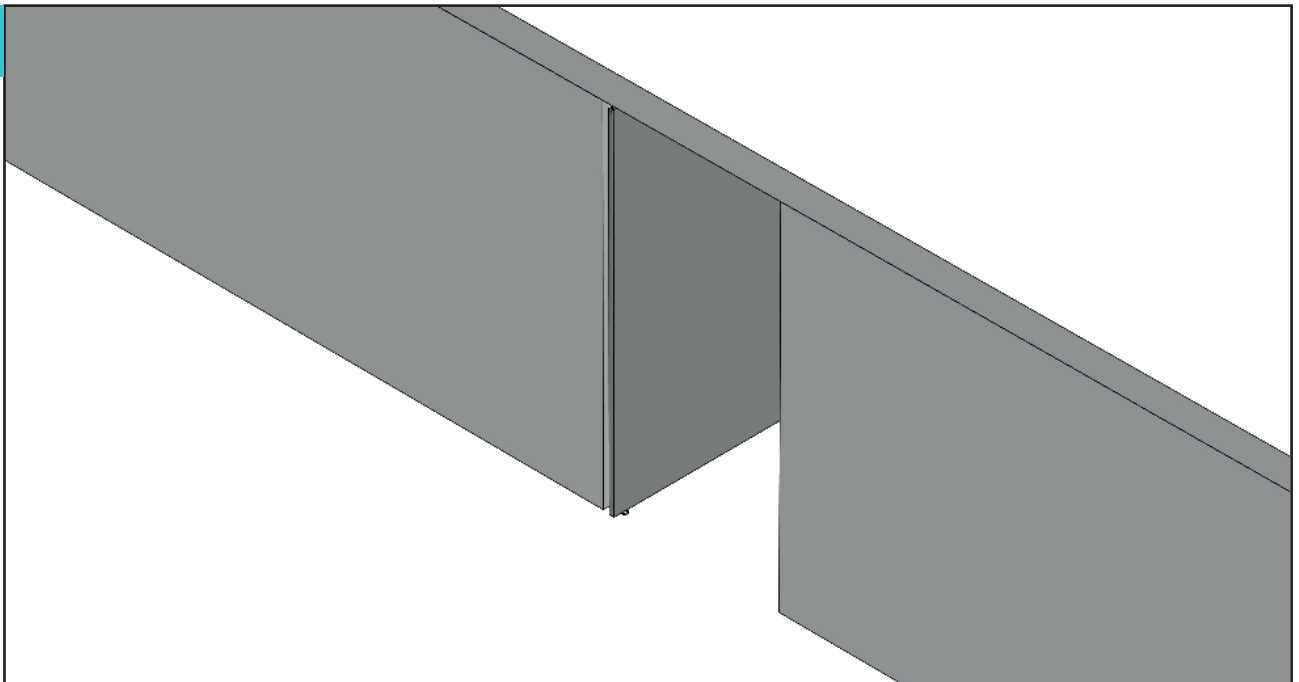
15



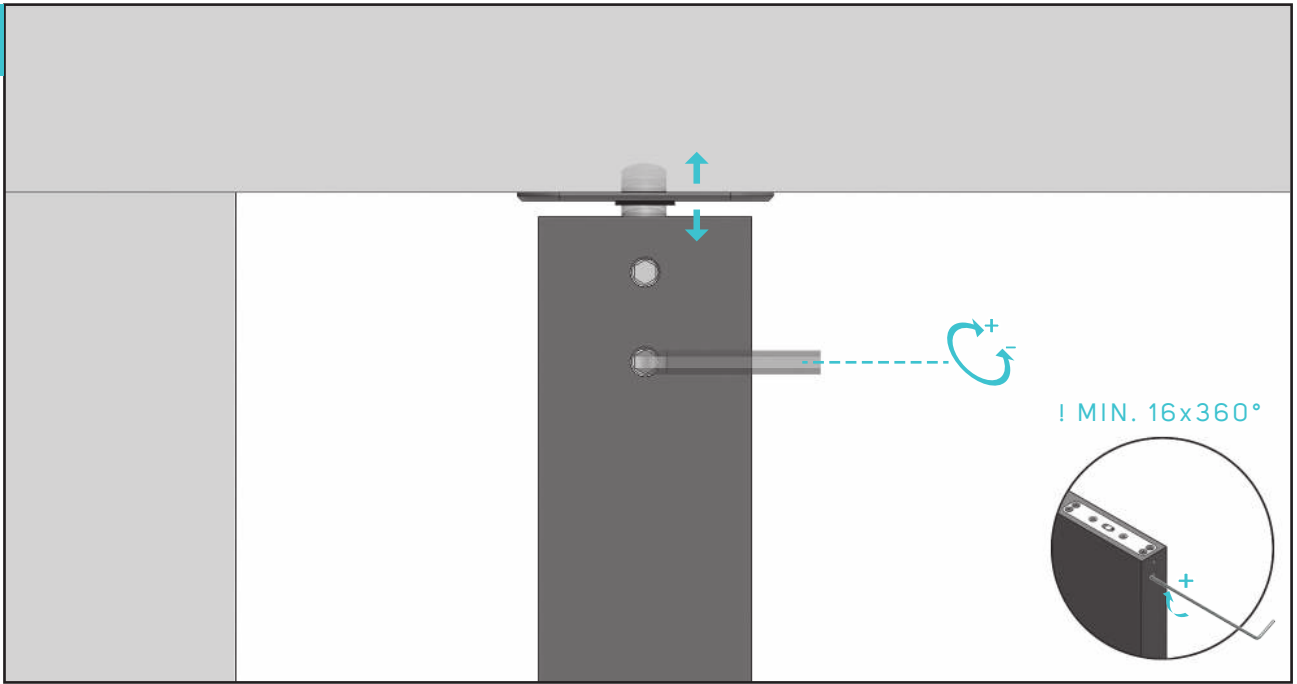
16



17

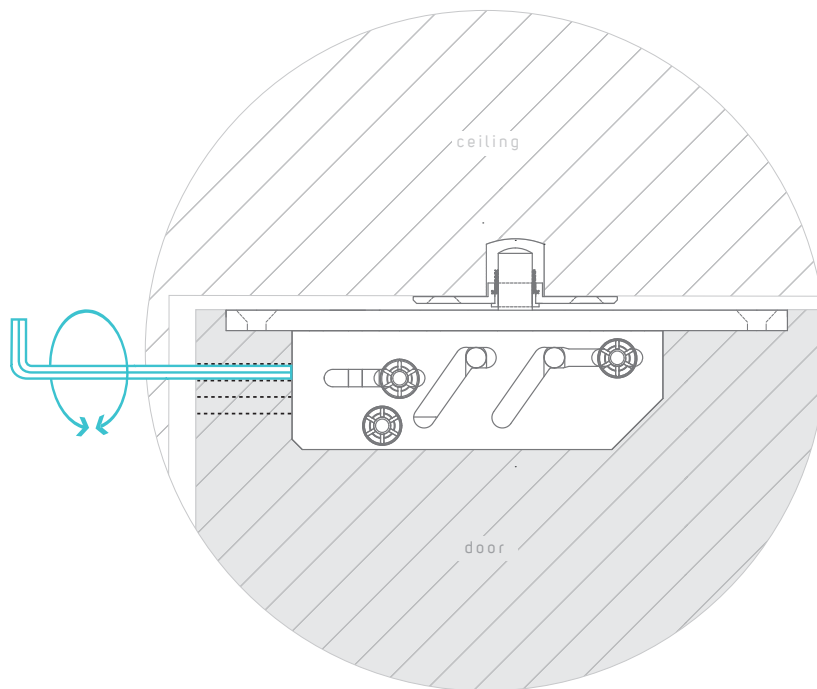


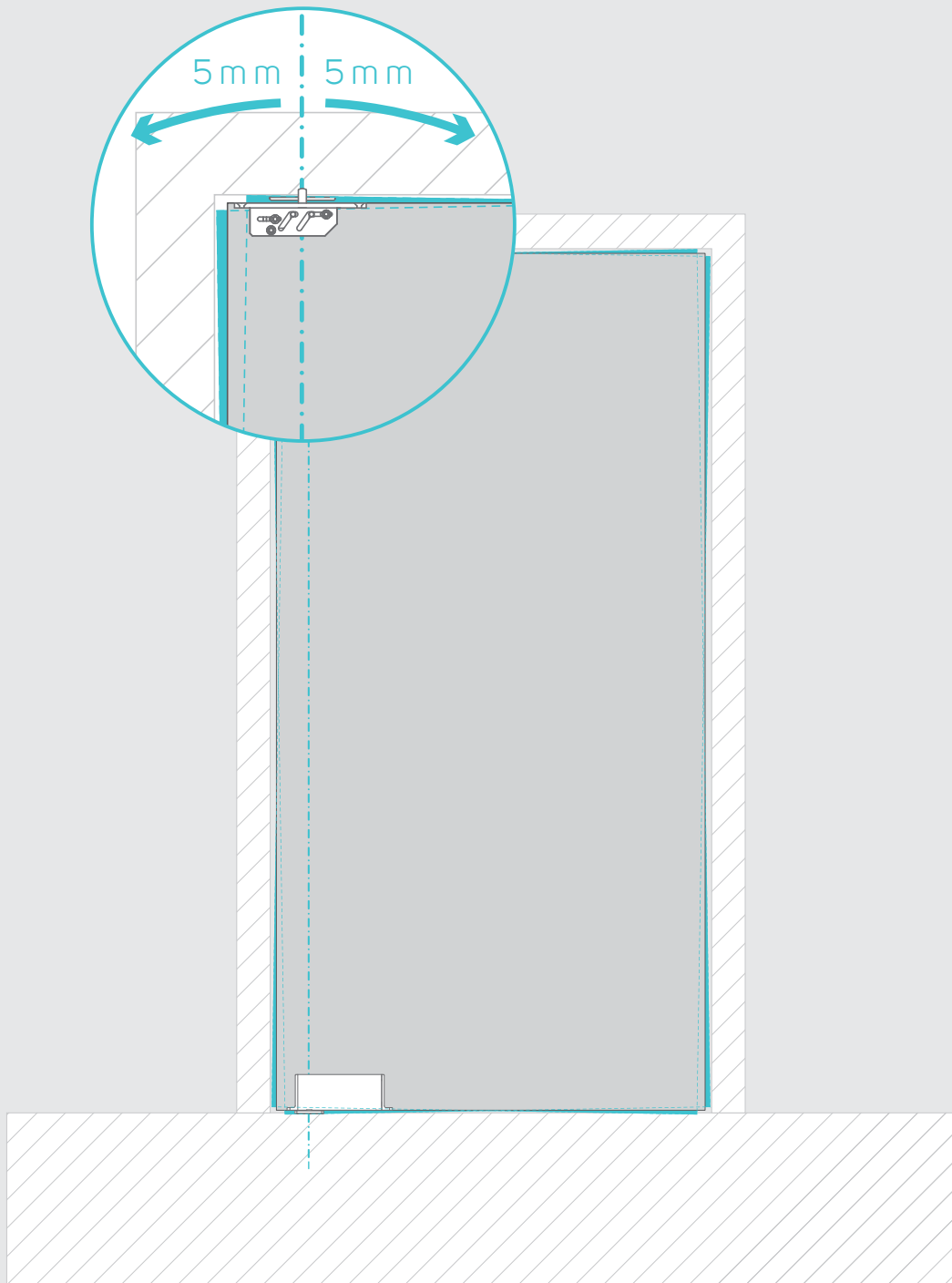
18



CLOSING SEAM SETTING

The closing seam can be adjusted using a 5mm hex key in the top hole.

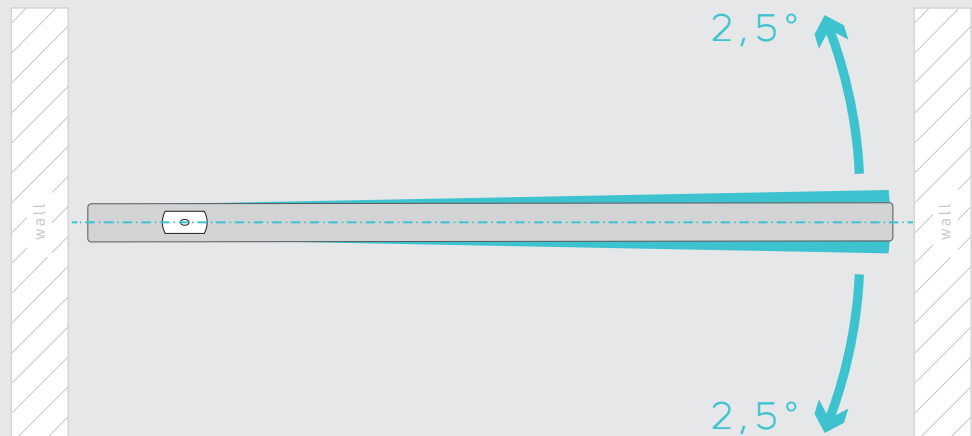
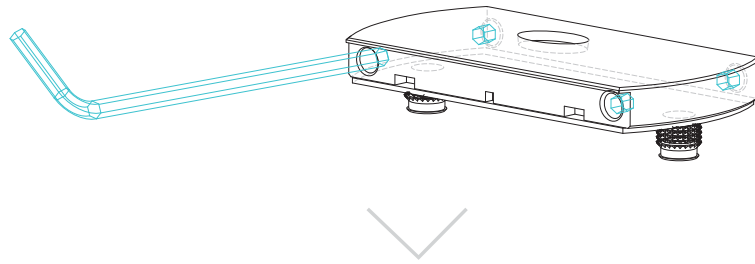




SETTING THE RADIAL POSITION

Remove the cap from the floorplate and adjust the angle of the door using a 3mm hex key.

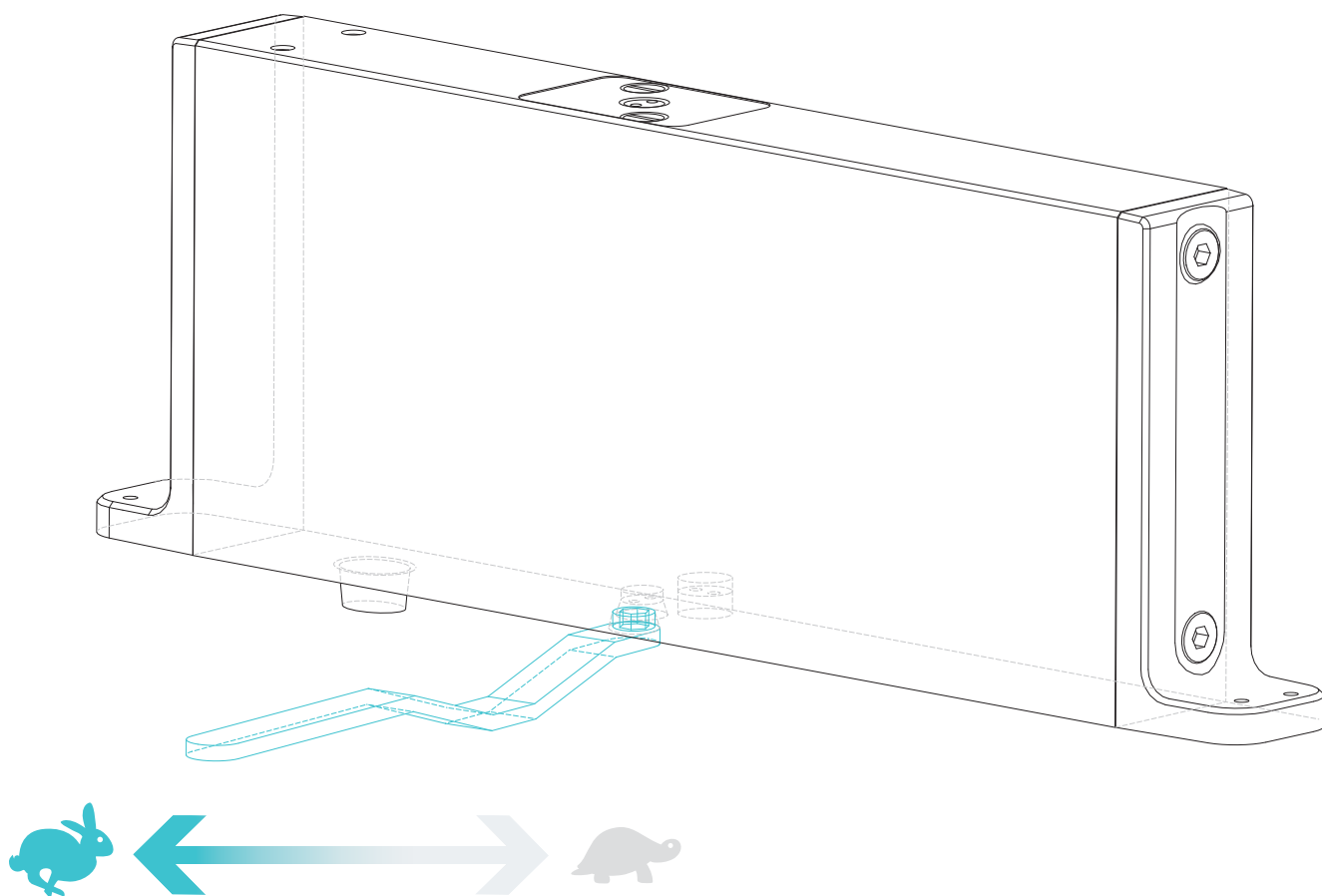
Important: all 4 screws need to be loosened before setting the radius. Don't forget to tighten them again after adjusting.



SETTING THE CLOSING SPEED

The closing speed can be adjusted using the included key.

To the right: more closing damping. To the left: less closing damping



FRITSJURGENS INTERNATIONAL

+31 598 343 410

info@fritsjurgens.com

www.fritsjurgens.com