

BELLEVUE
ARCHITECTURAL

FritsJurgens®

TECHNICAL DOCUMENTATION

New 70 & 40mm top pivots
& Flush Floor Plates

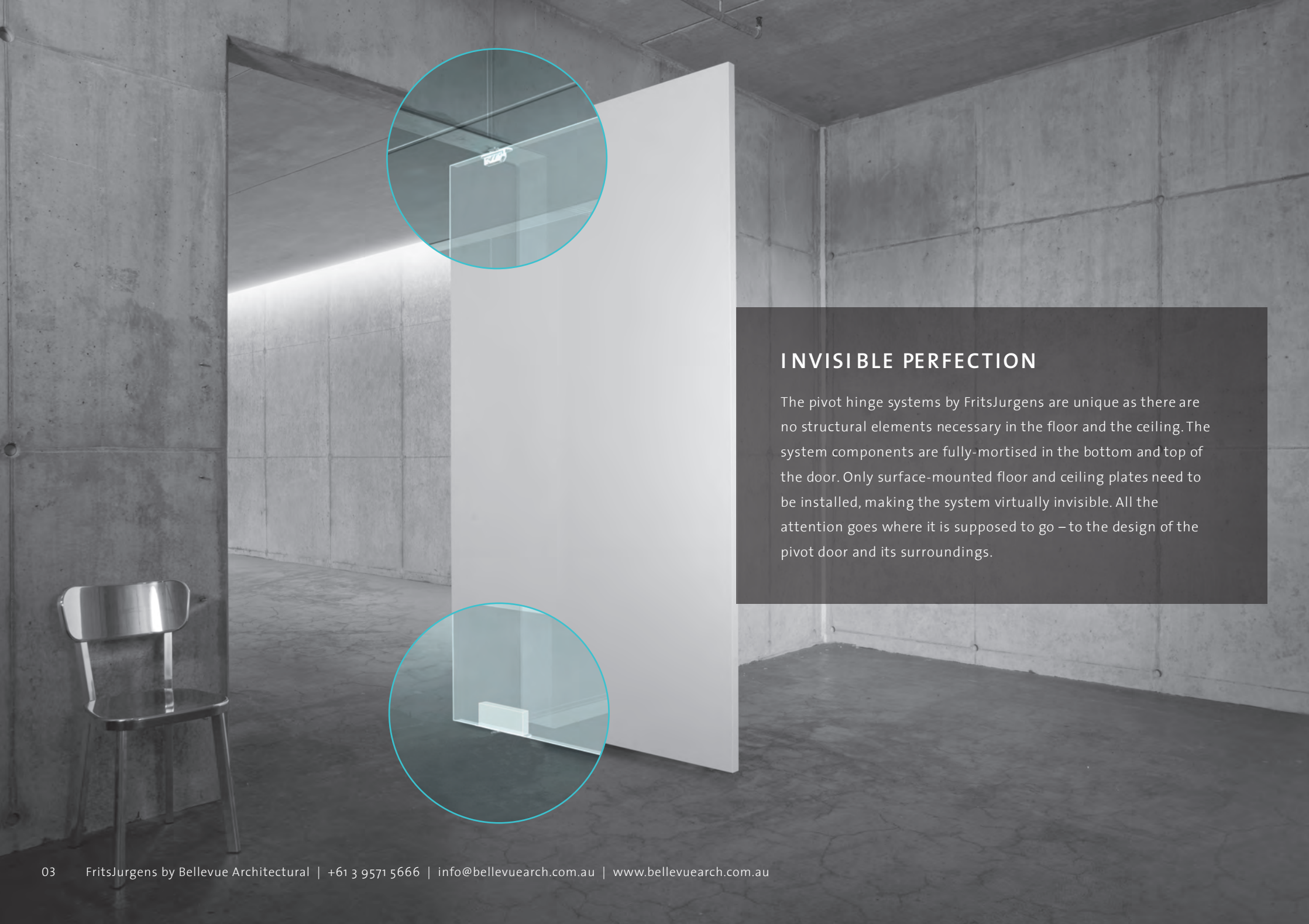




INDEX

01 <hr/> Why FritsJurgens? <hr/> Invisible perfection 3 Unlimited design 4 FlowMotion® 5 Timeless quality 6	02 <hr/> System specifications <hr/> Positioning of the systems 7 Compare all systems 8 Functions 9 Movement 10	03 <hr/> Door specifications <hr/> 8 mm into the floor 11 Gaps around the door Min. 12 40/50 mm door thickness 13 Doors between 20 - 500 kg 14 Pressure load 15 Lateral force 16	04 <hr/> Accessories <hr/> Top pivot- Cable grommet 39 Flush magnets 41 Hexagon guide 43 Axle wrench 45 Flush floor plates 47 Sub-strata base plate & packers 49 Athmer pivot drop seal L15 50
05 <hr/> System M+ self closing 90 / 180° swing doors <hr/> Specifications 19 Movement 19 System M+ components 20 Adjustment points 20 FJSM32+ & M42+ using a 70mm top pivot 21 FJSM32+ & M42+ using a 40mm top pivot 23 Design options 25 Model selector 26 Specification codes 28	06 <hr/> System One Free-swinging manual pivot 29 <hr/> Specifications 31 Technical drawings 32	07 <hr/> System 3 Centre mounted 360° swing 33 <hr/> Specifications 35 Technical drawings 36 Model selector 37	

Do you have any questions? Please do not hesitate to contact us.



INVISIBLE PERFECTION

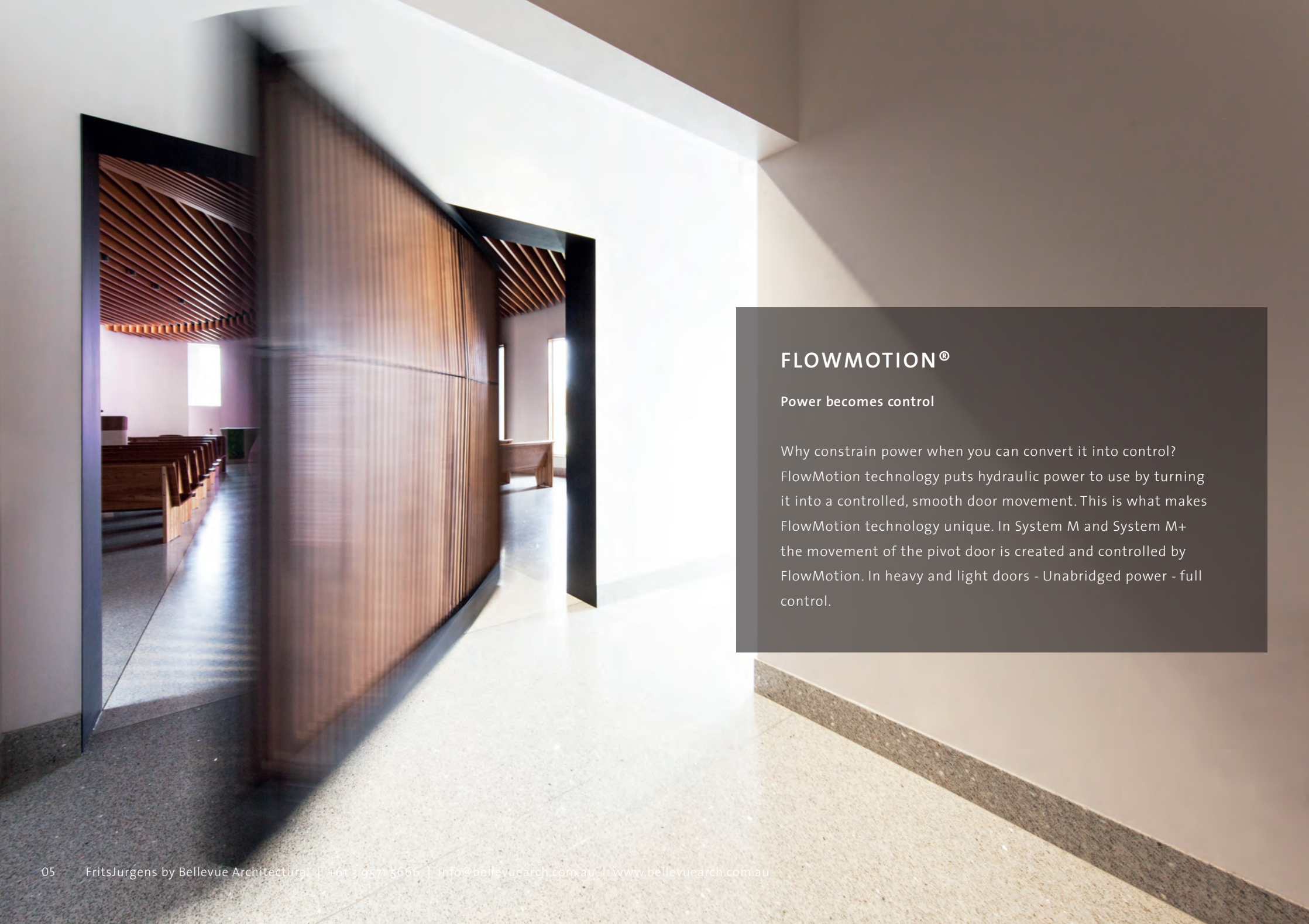
The pivot hinge systems by FritsJurgens are unique as there are no structural elements necessary in the floor and the ceiling. The system components are fully-mortised in the bottom and top of the door. Only surface-mounted floor and ceiling plates need to be installed, making the system virtually invisible. All the attention goes where it is supposed to go – to the design of the pivot door and its surroundings.



UNLIMITED DESIGN

As a professional, you want to create more than just a door. You want to create a design statement. With a FritsJurgens pivot hinge design possibilities are unlimited and, the movement of the door is fluid, whether your door weighs 20 kg or 500 kg.

FritsJurgens pivot hinges are ideal for all kinds of pivot doors – large or small, light or heavy, interior or exterior. Whether in residential or commercial environments, almost any material is possible for your pivot door.



FLOWMOTION®

Power becomes control

Why constrain power when you can convert it into control? FlowMotion technology puts hydraulic power to use by turning it into a controlled, smooth door movement. This is what makes FlowMotion technology unique. In System M and System M+ the movement of the pivot door is created and controlled by FlowMotion. In heavy and light doors - Unabridged power - full control.

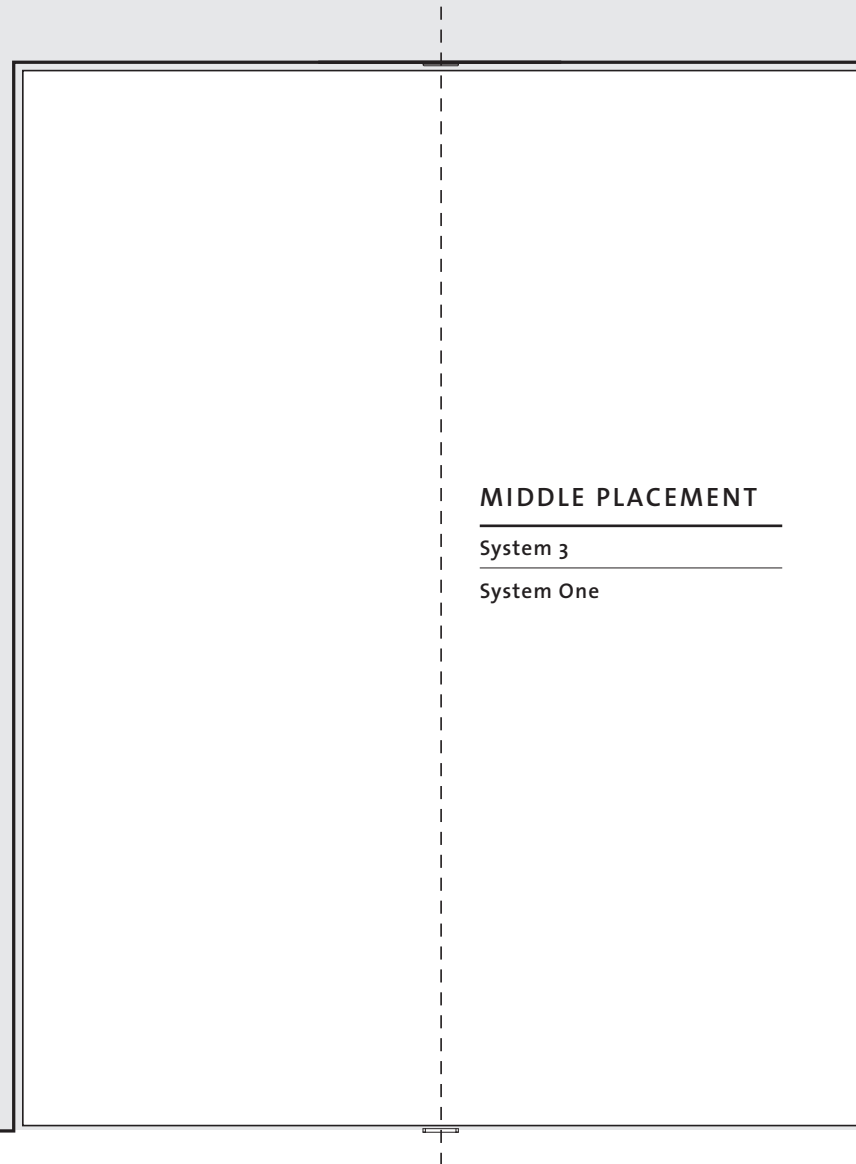
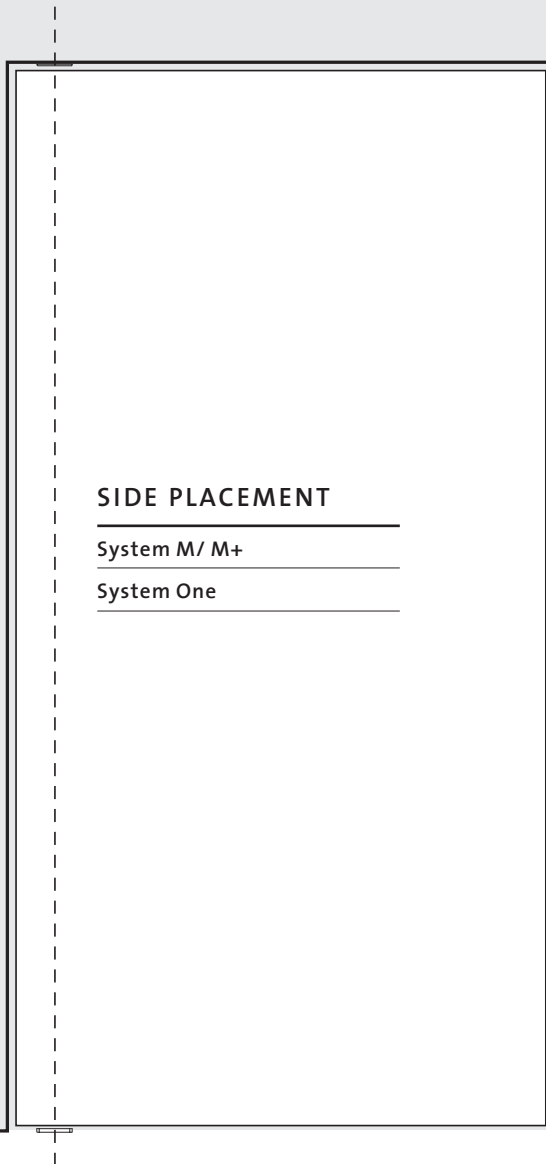


TIMELESS QUALITY

FritsJurgens pivot hinges are virtually indestructible. Built from high-performance materials, the systems are maintenance-free.

Our rigorous testing shows that even after 1 million cycles our systems continue to perform as they were designed; perfectly balancing technology, quality and aesthetics.

POSITIONING OF THE SYSTEMS



FritsJurgens pivot hinge systems are used to design pivot doors with side & middle placements. Based on the positioning of the system & the function of the pivot door, the right system can be selected.

COMPARE SYSTEMS

	SYSTEM M/M+ Doors that swing 90° or 180°	SYSTEM 3 Doors that swing 360°	SYSTEM ONE Free-Swinging Doors
System features	M32+: 294,8 x 32 x 99,6 mm M32+: 2,6 KG M42+: 308,2 x 42 x 112,7 mm M42+: 3,6 KG	160 x 32 x 143 mm 0,75 KG	160 x 32 x 39 mm 0,36 KG
Material	Stainless Steel Anodized aluminum	Stainless Steel Anodized aluminum	Stainless Steel Anodized aluminum
Corrosion resistance	EN 1670 - class 5 (norm:0-5)	EN 1670 - class 5 (norm:0-5)	EN 1670 - class 5 (norm:0-5)
Door features	Double-action 180° rotation Single-action 90° rotation	Full rotation 360° movement	Double-action 360° rotation Single-action 90° rotation
Hold positioning	Hold positions 90°, -90° and 0°	Hold positions 0°, 90°, 180°, 270°	360° free-swinging pivot
Weight capacity	20-500 KG (guaranteed closing kg varies)	40-350 KG (guaranteed closing kg varies)	20-500 KG (max bearing capacity 500kg)
Door width	400-5000 mm	1000-3800 mm	Unlimited
Door height	Unlimited	Unlimited	Unlimited
Pivot point	Min. 40 / 70 mm to short side	Min. 500 mm (centered)	Min. 70 mm to short side
Door thickness	M32+: 40 mm M42+: 50 mm	40 mm	40 mm
Door movement	Self-closing from 125° and -125° to 0° 1. Damper Control Back-check for damping on opening, soft-close. 2. 30° Speed Control (M+ only) Adjustable closing speed in last part of closing. L Latch Control (M+ only) Accelerates the door shortly before closed position to ensure proper latching.	Door self-opens from each 46° angle, in both directions, to a hold position.	360° free-swinging pivot

FUNCTIONS

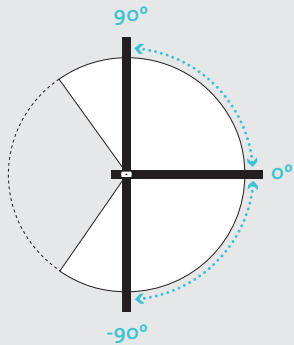
SYSTEM M / M+ | Recommended for use on single & double action doors

Double-action doors

Rotation 180°

Hold positions 90°, -90° and 0°

Self-closing from 125° and -125° to 0°

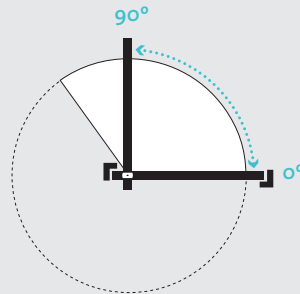


Single-action doors (with door frames*)

Rotation 90°

Hold positions 90° and 0°

Self-closing from 125° to 0°



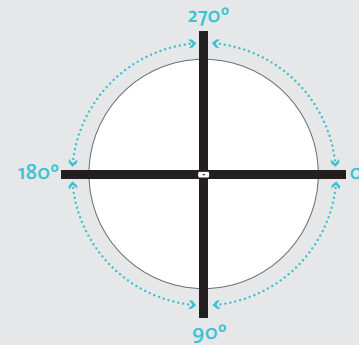
**Due to Latch Control (see next page)*

SYSTEM 3 | Centre-mounted (full 360° rotation only)

Full rotation 360° movement

(Self Opening & Self Closing)

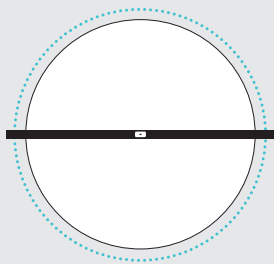
Hold positions 0°, 90°, 180°, 270°



SYSTEM ONE | Free-swinging

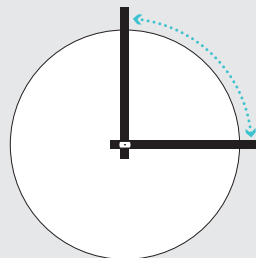
Double-action doors

Full rotation 360°



Single-action doors

Rotation 90°

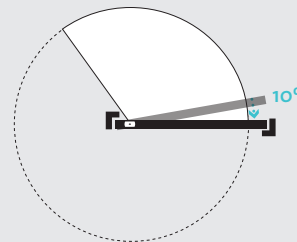
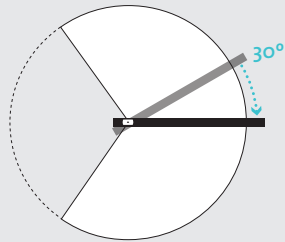
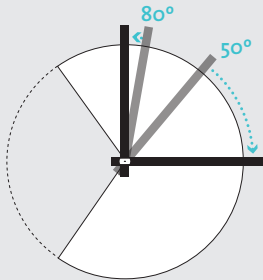


When the pivot hinge is placed on the left or right side of the door, allowing 90° rotation or 180° rotation, System M+, System One are suitable choices. When the pivot hinge is placed in the middle of the door this will allow for 360° rotation. Both System 3 and System One are suitable choices.

MOVEMENT

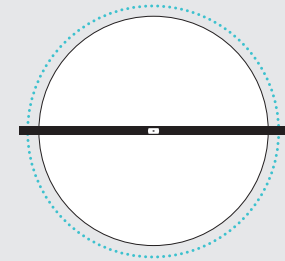
SYSTEM M / M+ | Self-closing from 125° and -125° to 0°

- 1. **Damper Control**
Back-check for damping on opening, soft-close.
- 2. **30° Speed Control (M+ only)**
Adjustable closing speed in last part of closing movement.
- L **Latch Control (M+ only)**
Accelerates the door shortly before closed position to ensure proper latching.



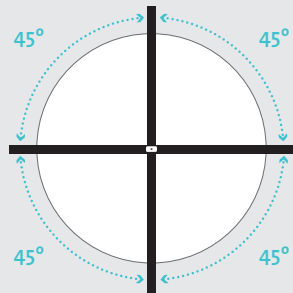
SYSTEM ONE | Free-swinging

360° free-swinging pivot.



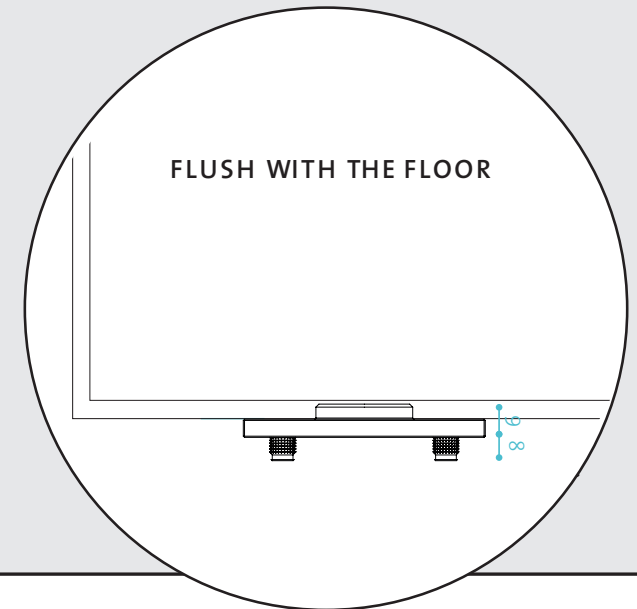
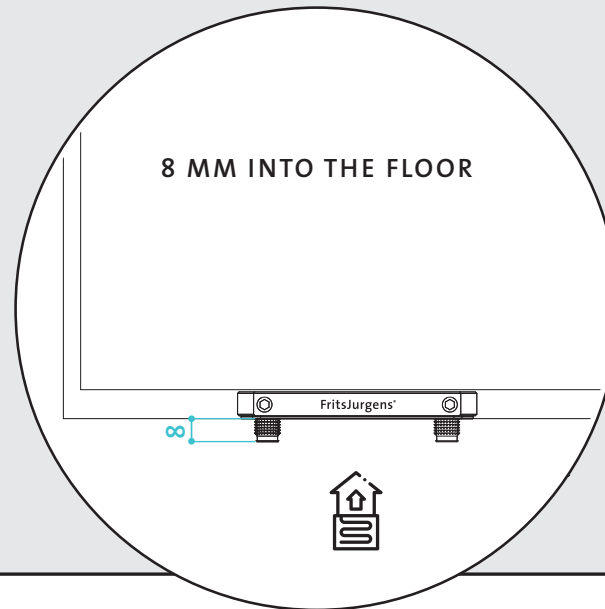
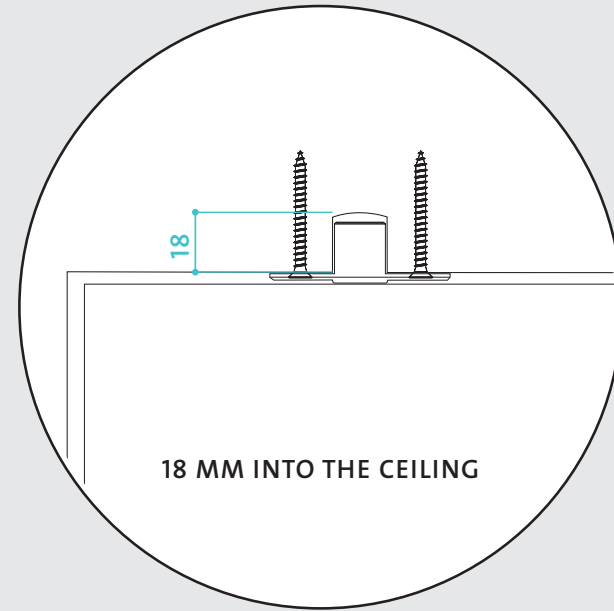
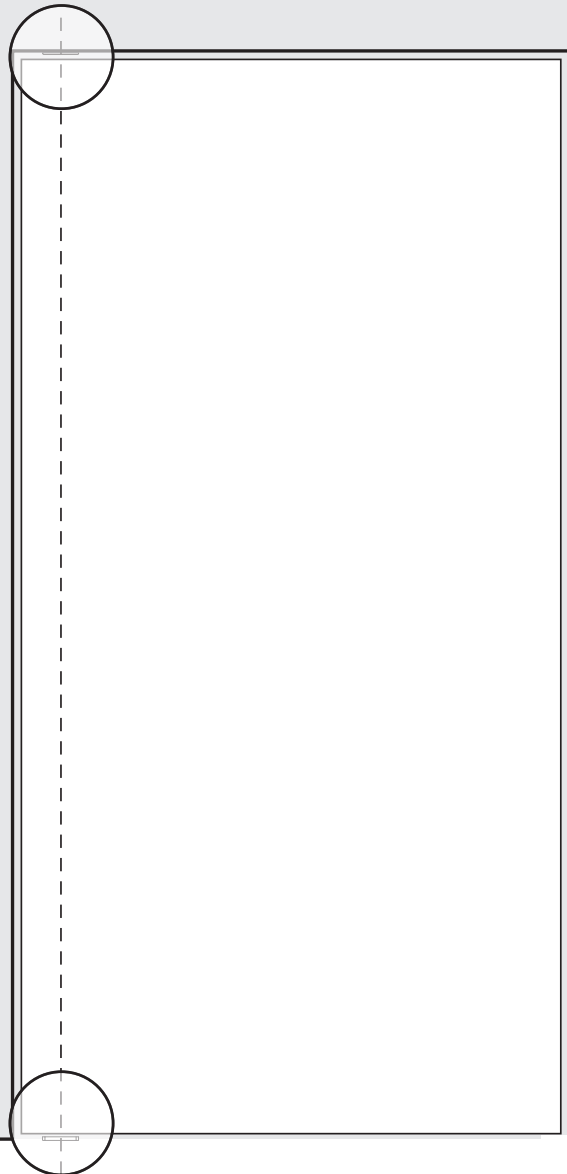
SYSTEM 3 | Centre-mounted (full 360° rotation only)

Door moves from each 45° angle, in both directions, to a hold position.



In System M and System M+ the movement of the pivot door is generated and controlled by FlowMotion. FlowMotion technology puts hydraulic power to use by turning it into a controlled, smooth door movement. This is what makes FlowMotion technology unique. System 3 can rotate 360° and is characterized by a hold position at every quarter of the circle. System One is the most compact system: the hinge acts as a revolving point.

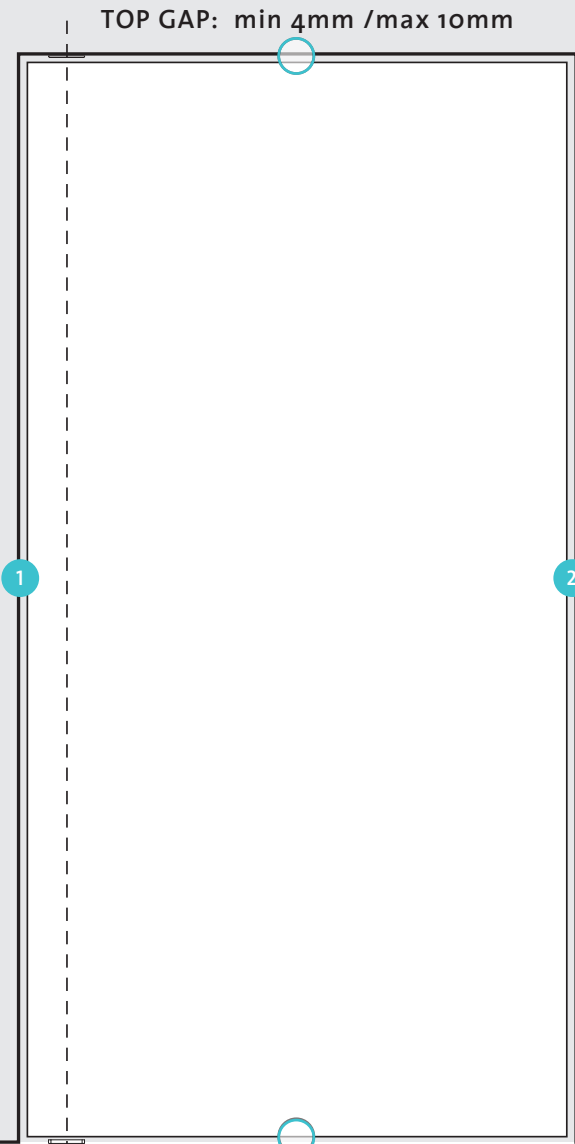
**8 MM INTO THE FLOOR or FLUSH WITH THE FLOOR
18 MM INTO THE CEILING**



The top pivot and bottom pivot hinge system components are fully-mortised in the pivot door. Only small floor and ceiling plates are visible. The floor plate fasteners only need to be mortised 8 mm into the floor, which means every FritsJurgens system can also be utilized in combination with radiant floor heating.

FritsJurgens by Bellevue Architectural | +61 3 9571 5666 | info@bellevuearch.com.au | www.bellevuearch.com.au

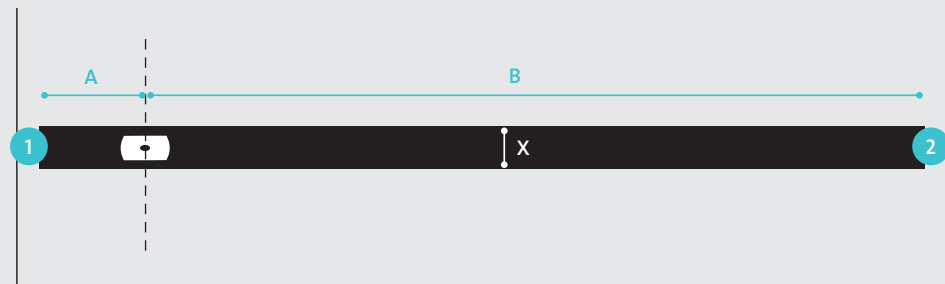
GAPS AROUND THE DOOR



GAP LEFT (1) AND RIGHT (2)

Example for minimum gaps between the door and the wall or jamb:

- X Door thickness 40 mm
- A Distance of pivot point to end of the door 91 mm
- B Distance pivot point to beginning door 1500 mm
- 1 Minimum gap between door and wall 4 mm
- 2 Minimum gap between door and wall 2 mm



A	1			
2000	2	2	2	2
1500	2	2	2	2
1000	2	2	3	3
500	2	3	3	3
250	3	3	4	4
91	4	5	7	9
X ▶	40	50	60	70

B	2			
2000	2	2	2	2
1500	2	2	2	2
1000	2	2	3	3
500	2	3	3	3
250	3	3	4	4
91	4	5	7	9
X ▶	40	50	60	70

When X > 70 mm, please go to the online gap calculation tool on top of this page. Dimensions in mm. Based on straight angles. The dimensions are indicative. No rights can be derived from it.

BOTTOM GAP: 11mm* (M+), 13mm (3/ONE)

The minimum gap at the side of the door depends on the thickness (X) and the width of the door in relation to the positioning of the hinge (A and B).

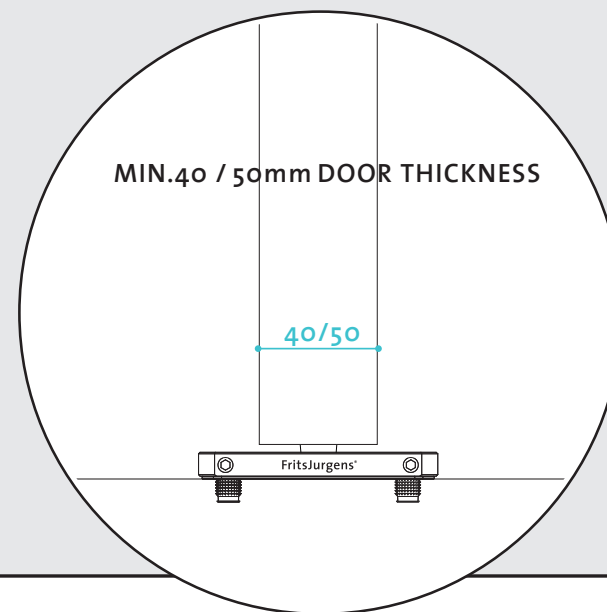
Important: the minimum distance from the pivot point of the hinge to the edge of the door (A) is 40 mm. There is no need to add extra space for installing (2 mm tolerance is included).

FritsJurgens by Bellevue Architectural | +61 3 9571 5666 | info@bellevuearch.com.au | www.bellevuearch.com.au

* a 7mm gap can be achieved using the FritsJurgens flush floor plate. See page 47.

MINIMUM DOORTHICKNESS 40 MM

ONE / 3 | 40mm
M32+ | 40mm
M42+ | 50mm



Since the FritsJurgens pivot hinges have a thickness of 32 mm (or 42 mm) they can be used in doors with a minimum thickness of 40/50 mm. This makes FritsJurgens systems suitable for doors of virtually any size and material, giving designers the freedom to design the ultimate pivot door.

FritsJurgens by Bellevue Architectural | +61 3 9571 5666 | info@bellevuearch.com.au | www.bellevuearch.com.au

SUITABLE FOR DOORS BETWEEN 20 - 500 KG

SYSTEM RANGE

System M AA	20-79 kg
System M+ A-G	80-500 kg
System 3	40-350 kg
System One	20-500 kg

All systems have a bearing capacity of 500kg.



Each FritsJurgens pivot system is suitable for light and heavy doors. The System M range comes in models tuned for doors from 20 up to 500 kg. System One also supports doors up to 500 kg, while System 3 supports doors from 40 to 350 kg. The possibilities for the design of the door are endless and the movement is smooth and fluent.

FritsJurgens by Bellevue Architectural | +61 3 9571 5666 | info@bellevuearch.com.au | www.bellevuearch.com.au

PRESSURE LOAD

AREA

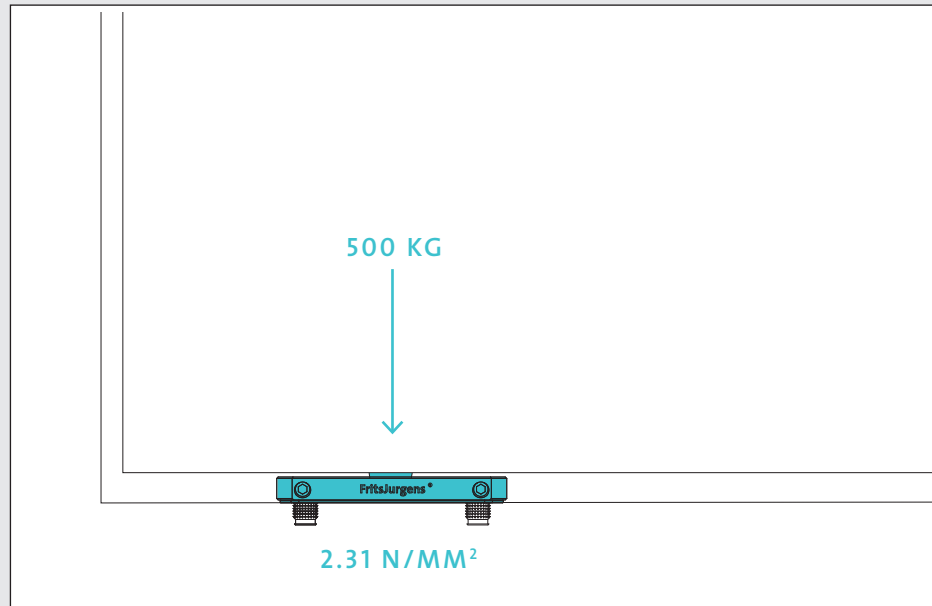
2119 mm²

WEIGHT

500 kg = 4905 N

PRESSURE LOAD

2.31 N/mm²



AS A REFERENCE

AREA

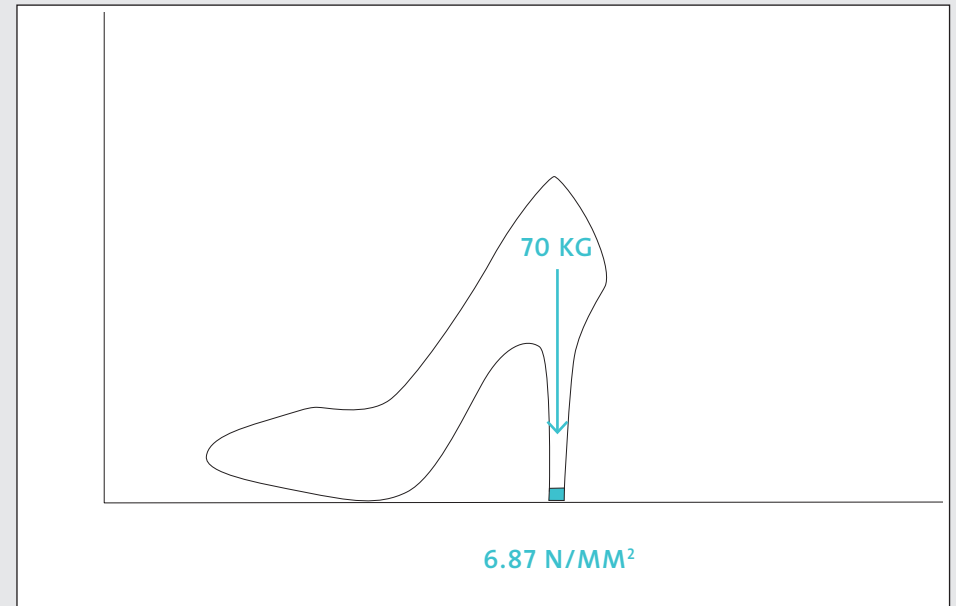
100 mm²

WEIGHT

70 kg = 687 N

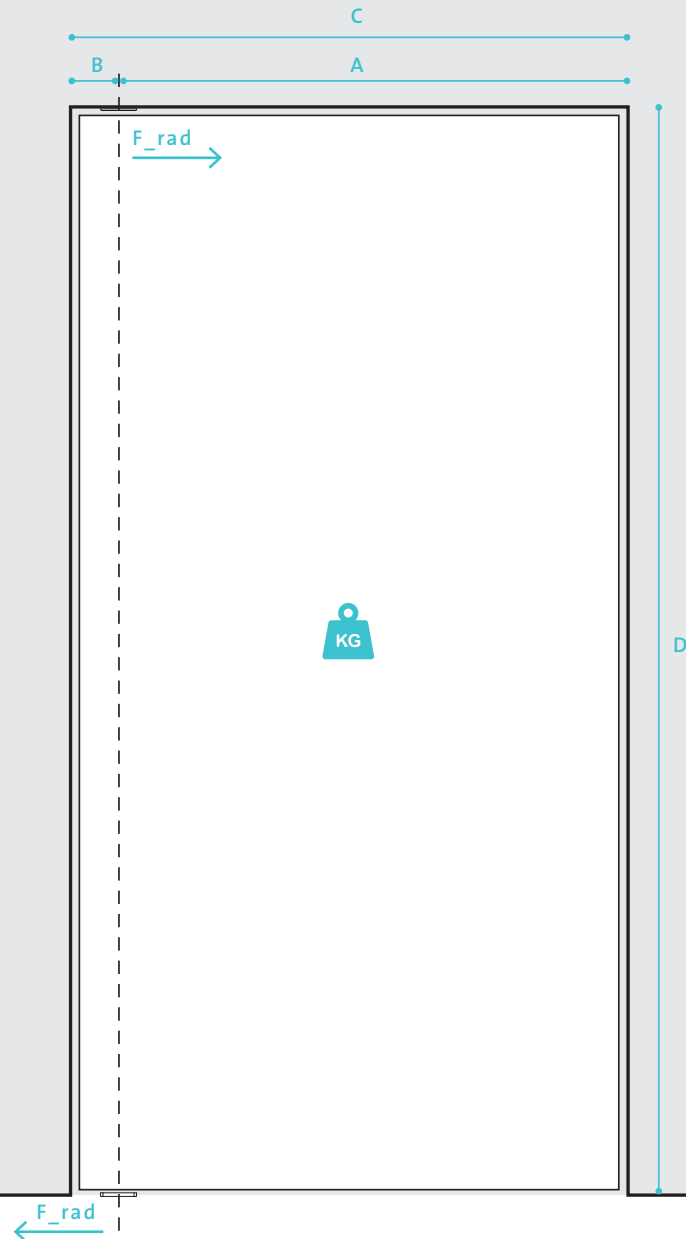
PRESSURE LOAD

6.87 N/mm²



A door with a FritsJurgens pivot sits on a 40x80 mm floor plate and produces a pressure load (Fw) of 1.80 N/mm² with a door of 500 kg. For application on your floor we refer to the specifications of the floor manufacturer. As a reference: a woman of circa 70 kg wearing high heels produces a pressure load (Fw) of 6.87 N/mm². All dimensions in mm.

LATERAL FORCE (EXAMPLE)



B=40/70 MM, WEIGHT DOOR 500 KG

3000	260 N	464 N	669 N	873 N	1078 N	1282 N	1486N
2900	269 N	480 N	692 N	903 N	1115 N	1326 N	1538 N
2800	279 N	498 N	717 N	936 N	1154 N	1373 N	1592 N
2700	289 N	516 N	743 N	970 N	1197 N	1424 N	1651 N
2600	300 N	536 N	772 N	1007 N	1243 N	1479 N	1715 N
2500	312 N	557 N	803 N	1048 N	1293 N	1538 N	1784 N
2400	325 N	580 N	836 N	1091 N	1347 N	1602 N	1858 N
2300	339 N	606 N	872 N	1139 N	1405 N	1672 N	1939 N
2200	355 N	633 N	912 N	1191 N	1469 N	1748 N	2027 N
2100	371 N	663 N	955 N	1247 N	1539 N	1831 N	2123 N
2000	390 N	697 N	1003 N	1310 N	1616 N	1923 N	2229 N
	500	750	1000	1250	1500	1750	2000

C

B=1/5 WIDTH DOOR, WEIGHT DOOR 500 KG

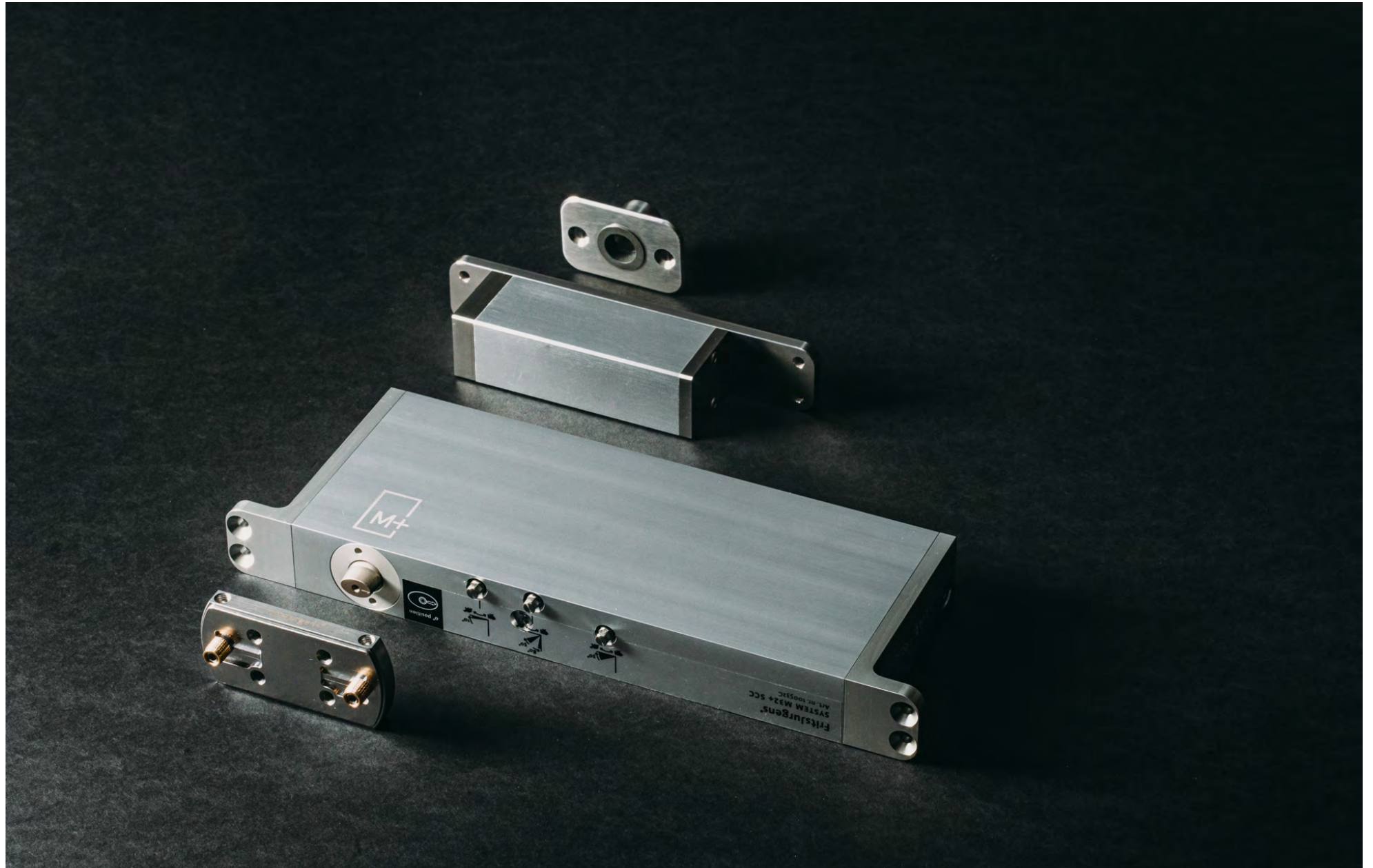
3000	245 N	368 N	491 N	613 N	736 N	858 N	981 N
2900	254 N	381 N	507 N	634 N	761 N	888 N	1015 N
2800	263 N	394 N	526 N	657 N	788 N	920 N	1051 N
2700	273 N	409 N	545 N	681 N	818 N	954 N	1090 N
2600	283 N	425 N	566 N	708 N	849 N	990 N	1132 N
2500	294 N	442 N	589 N	736 N	883 N	1030 N	1177 N
2400	307 N	460 N	613 N	766 N	920 N	1030 N	1226 N
2300	320 N	480 N	640 N	800 N	960 N	1120 N	1280 N
2200	334 N	502 N	669 N	836 N	1003 N	1171 N	1338 N
2100	350 N	526 N	701 N	876 N	1051 N	1226 N	1401 N
2000	368 N	552 N	736 N	920 N	1104 N	1288 N	1472 N
	500	750	1000	1250	1500	1750	2000

C

The minimum distance for B is 40/70 mm. As a result of the placement of System 3 or System One in the middle of the door, there is no extra lateral force (f_{rad}) on the floor and ceiling.
 FritsJurgens by Bellevue Architectural | +61 3 9571 5666 | info@bellevuearch.com.au | www.bellevuearch.com.au

SYSTEM M+ | 90 or 180° SWING
Max door weight: 500kg

FRITSJURGENS SYSTEM M+



SYSTEM M /M+ | Recommended for use on single & double action

SYSTEM SPECIFICATIONS based on 70mm top pivot

Types	FJS/STM+7oASSS	
	FJS/STM+7oBSSS	
	FJS/STM+7oCSSS	
	FJS/STM+7oDSSS	see page 28 for ordering codes
	FJS/STM+7oESSS	
		FJS/STM+7oFSSS
		FJS/STM+7oGSSS
Dimensions	M32+ 294,8 x 32 x 99,6 mm	M42+ 308,2 x 42 x 112,7 mm
Weight	2,6 KG	3,6 KG
Material	Stainless steel Anodized aluminum	
Corrosion resistance	EN 1670 - class 5 (norm:o-5)	

DOOR SPECIFICATIONS

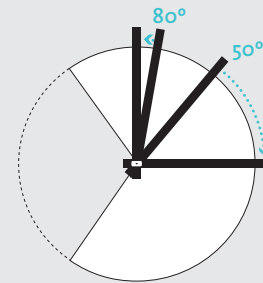
Door acting	Double-action 180° rotation	
	Single-action 90° rotation with door frames* *Due to Latch Control (see page 10)	
Hold positioning	Hold positions 90°, -90° and 0°	
Weight capacity	20-500 KG (max bearing capacity of 500kg)	
Door width	400 - 5000 mm	
Door height	Unlimited	
Pivot point	Min. 70mm from pivot point to short side	
Min. door thickness	M32+ 40 mm (A-E)	M42+ 50 mm (F&G)
	M32AA 40 mm	

DOOR MOVEMENT

Door movement	Self-closing from 125° and -125° to 0°	
	Damper Control -Back-check for damping on opening, soft-close.	
	30°Speed Control -Adjustable closing speed in last part of closing.	
	Latch Control -Accelerates the door shortly before closed position to ensure proper latching.	
	<i>All controls can be individually adjusted from the bottom of the door.</i>	

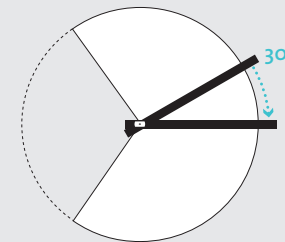
FLOWMOTION®

DAMPER CONTROL (M & M+)



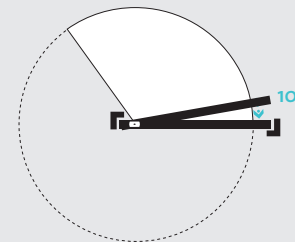
Damper Control has two functions. The hydraulic back-check protects the pivot door against touching the wall by providing adjustable resistance as the door approaches the 80° position. The closing damping makes the door close smoothly.

30° SPEED CONTROL (M+)



30° Speed Control allows you to fine-tune the speed of the pivot door through the last 30° of the closing movement.

LATCH CONTROL (M+)

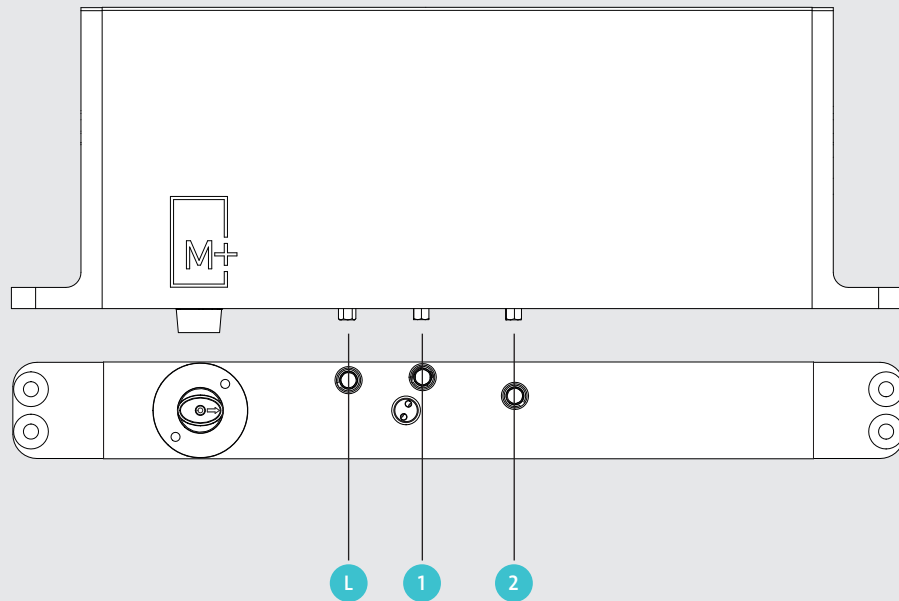


Latch Control provides the ability to adjust the closing speed to latch the door properly. Latch Control enables the door to accelerate in the last 10° to ensure proper latching of the door.

System M/M+ offers absolute control over the movement of the pivot door due to its inbuilt FlowMotion technology.

FritsJurgens by Bellevue Architectural | +61 39571 5666 | info@bellevuearch.com.au | www.bellevuearch.com.au

SYSTEM M+ ADJUSTMENT POINTS WITH FLOWMOTION®



- 1 **Damper Control** Ensures a smooth and elegant closing movement and protects your door from touching the wall (back-check).
- 2 **30° Speed Control** Allows you to determine the speed of the pivot door through the last part of the closing movement.
- L **Latch Control** Accelerates the door shortly before closed position to ensure proper latching.

SYSTEM M+ COMPONENTS

SYSTEM M+ 70mm

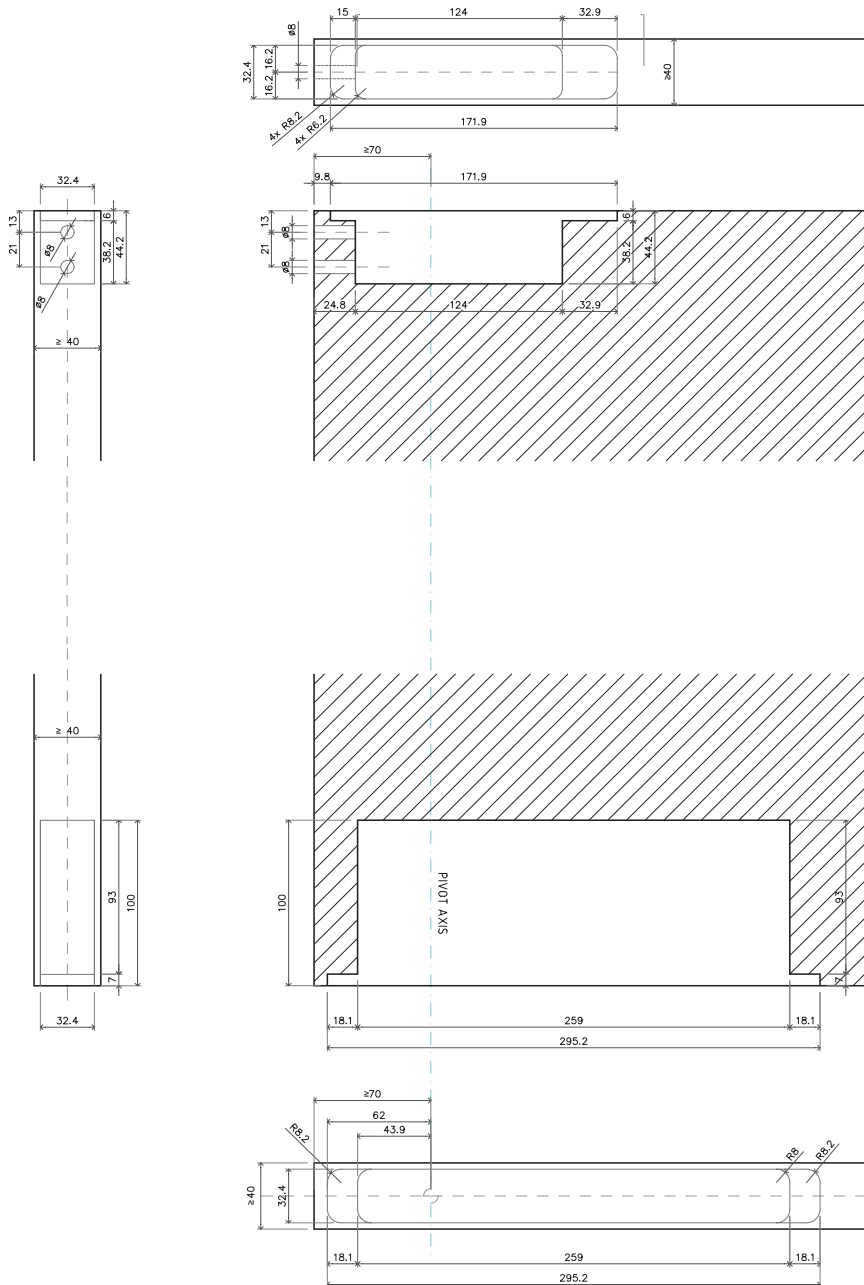
SYSTEM M+ 40mm



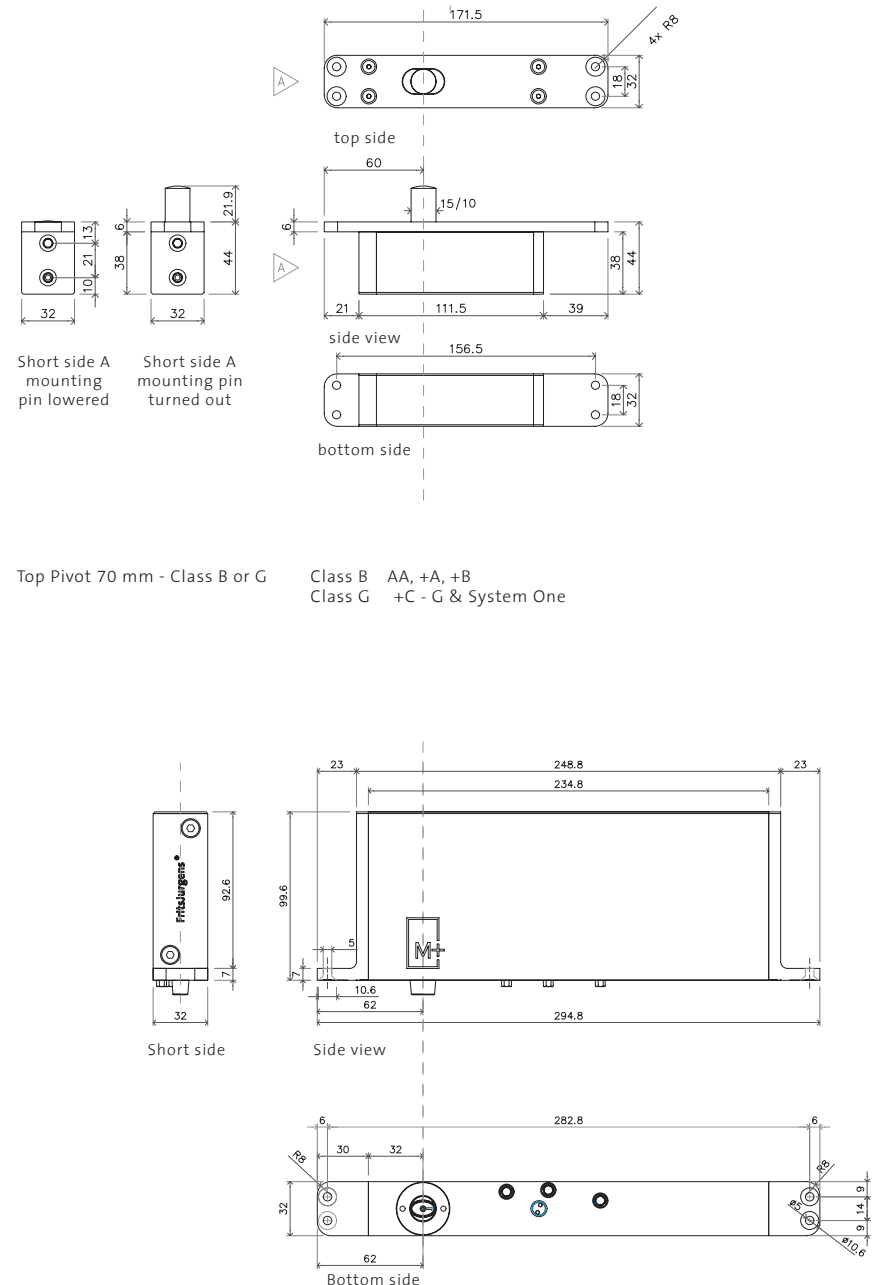
1. Ceiling plate
2. 40 or 70 mm top pivot
3. System M+
4. Standard square floor plate

System M+ is equipped with FlowMotion technology. FlowMotion technology puts hydraulic power to use by turning it into a controlled, smooth door movement.

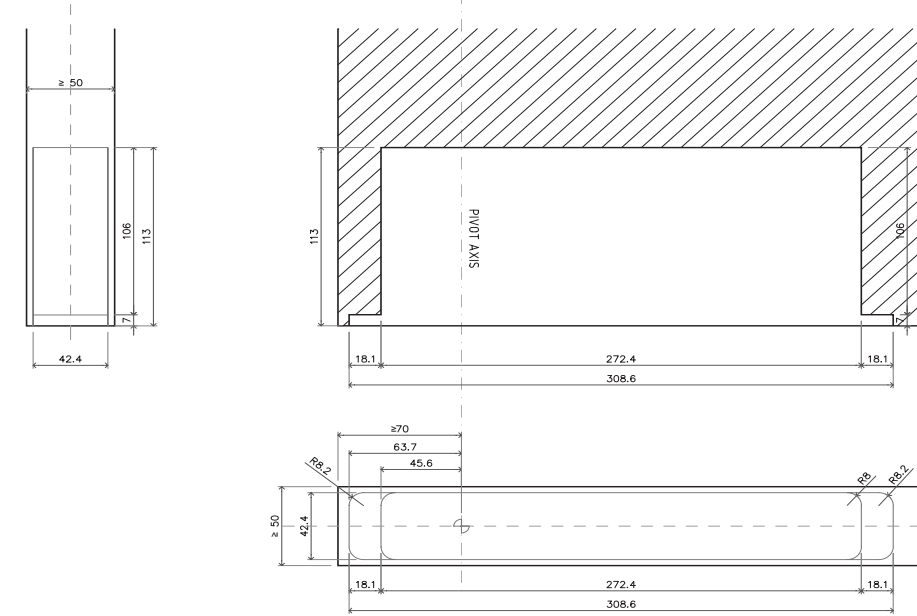
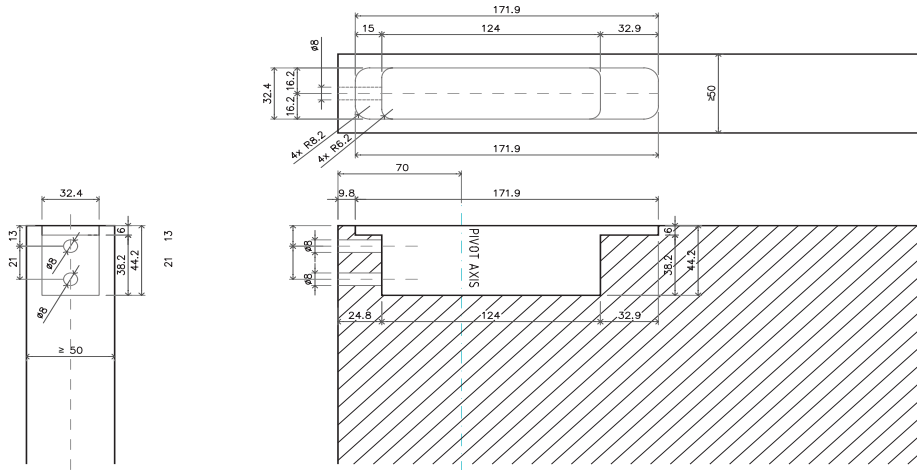
MILLING FOR SYSTEM M70 AA / M+ - A TO E



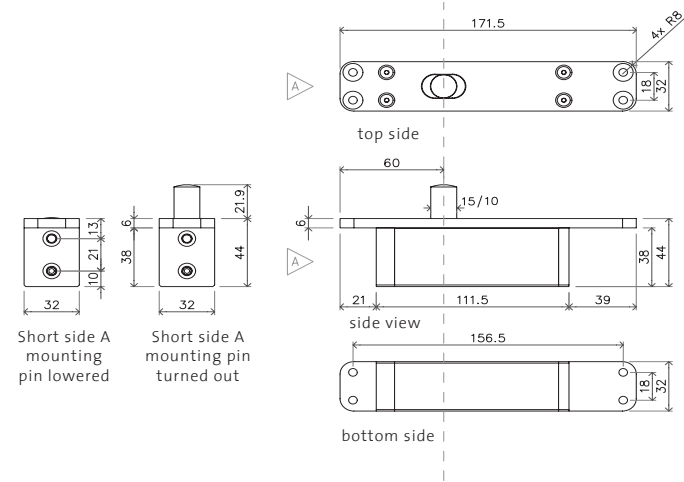
COMPONENTS FOR SYSTEM M70 AA / M+ - A TO E



MILLING SYSTEM M+ 70 F & G

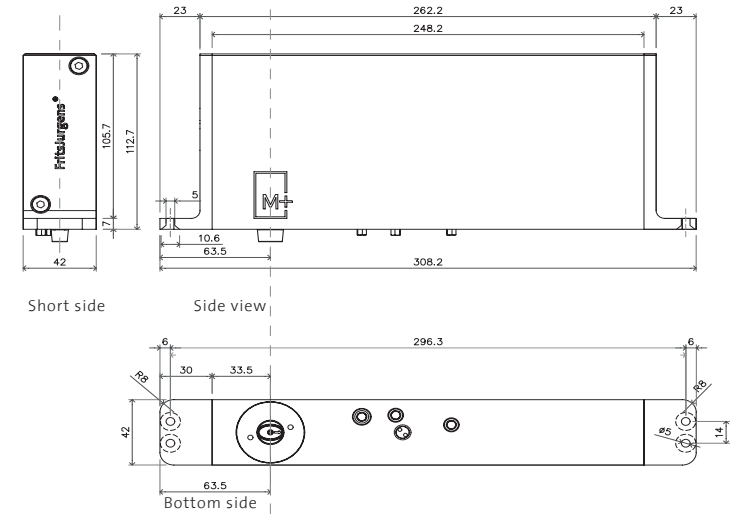


COMPONENTS SYSTEM M+ 70 F & G

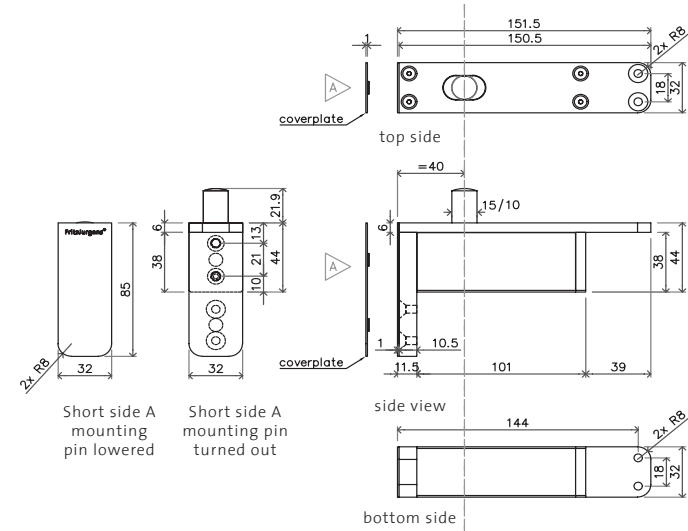
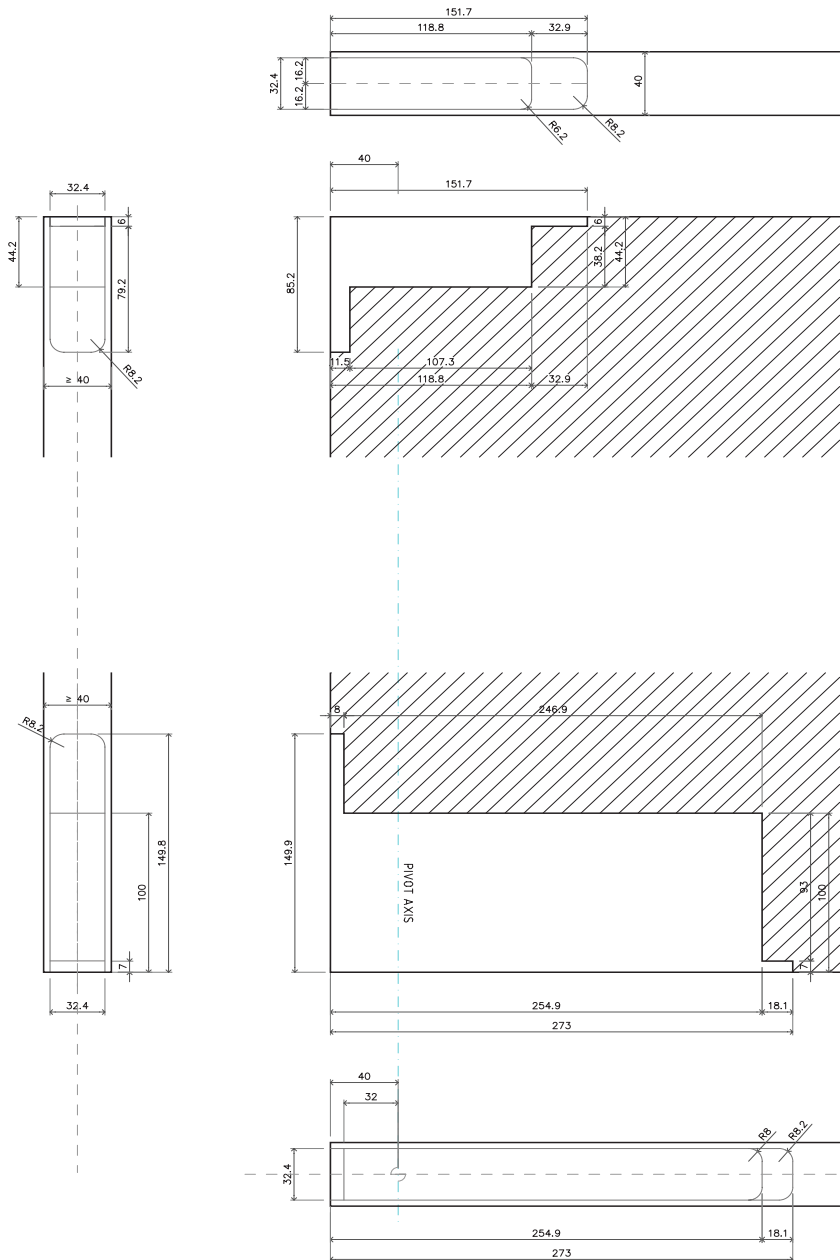


Top Pivot 70 mm - Class B or G

Class B AA, +A, +B
Class G +C - G & System One

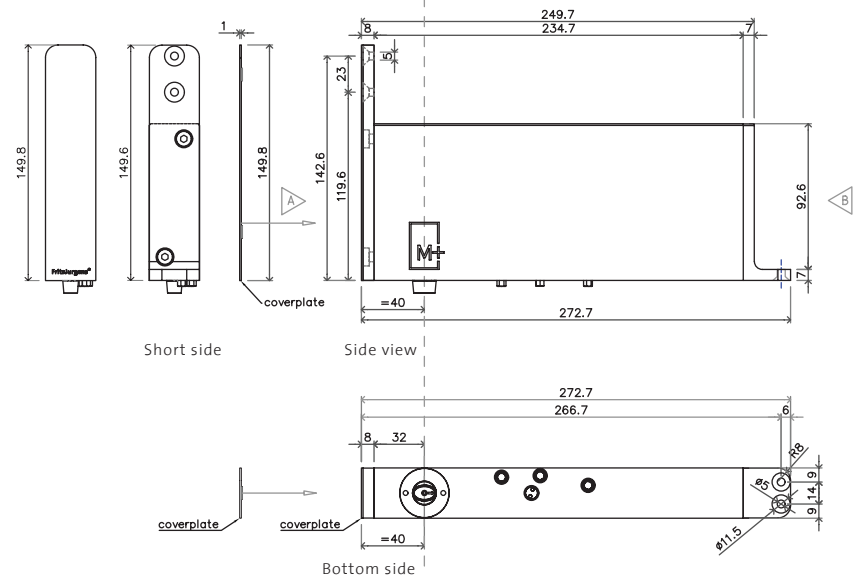


System M+ 70 mm - Class F and G



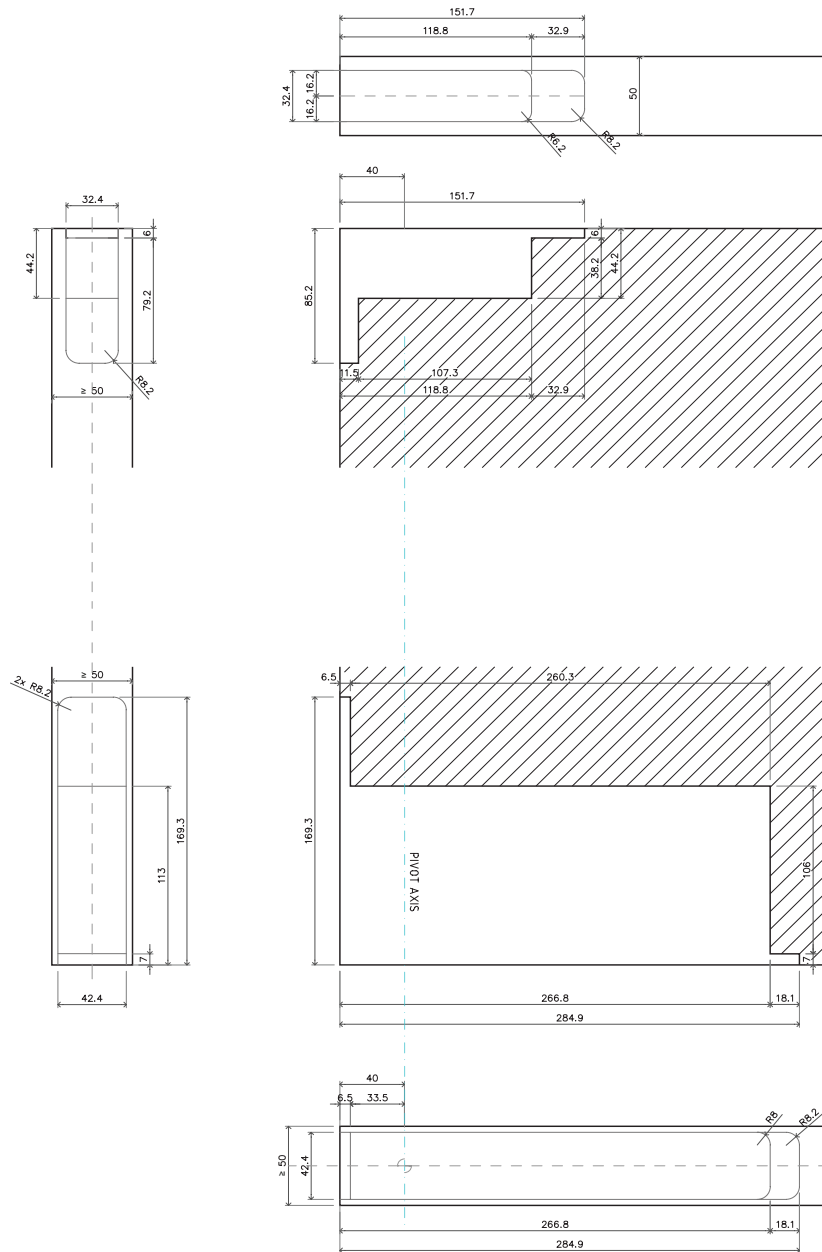
Top Pivot 40 mm - Class B or G

Class B AA, +A, +B
Class G +C - G

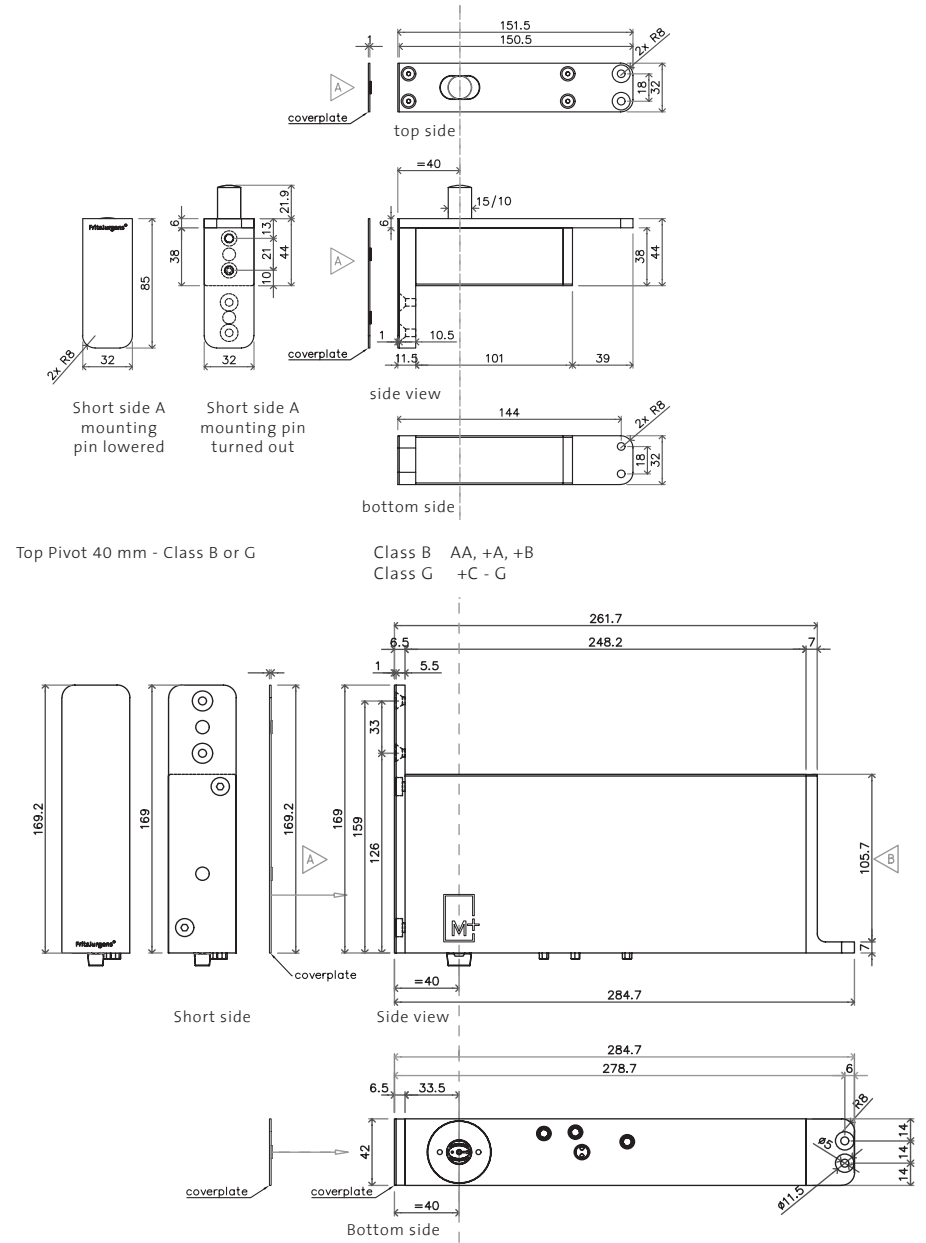


System M+/M 40 mm - Class AA to E

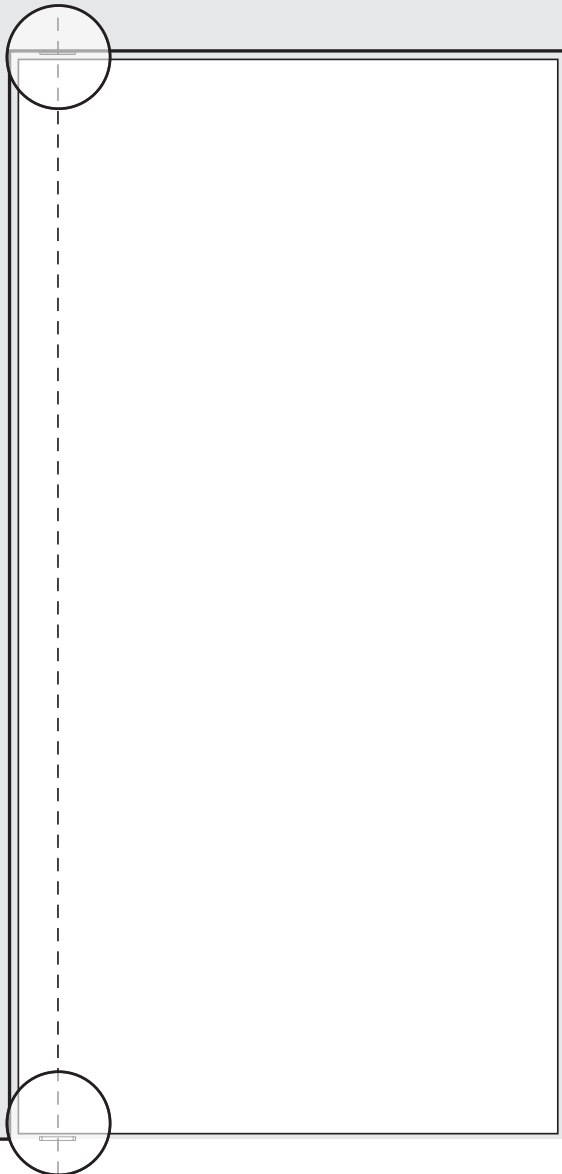
MILLING SYSTEM M+ 40 F & G



COMPONENTS SYSTEM M+ 40 F & G



DESIGN OPTIONS SYSTEM M / M+



Square adjustable floor plate
(FJVP8040MSS) Stainless steel
(Series 420) 80 x 40 x 9 mm



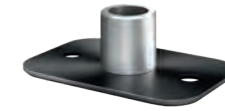
Square adjustable floor plate
(FJVP8040MBLK) PVD black
80 x 40 x 9 mm



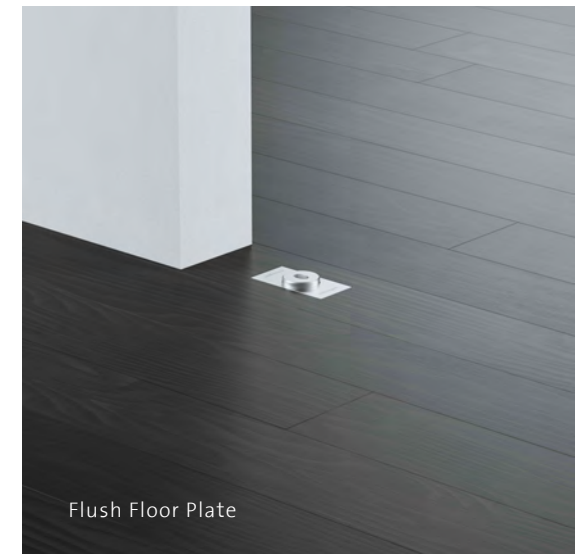
Flush square floor plate
(FJVP8040MSS/FLSQ)
Stainless steel (Series 420)
80 x 40 x 6/11 mm



Ceiling plate (FJS/CPXXBSSS - B class)
Ceiling plate (FJS/CPXXGSSS - G class)
Stainless steel (Series 420)
60 x 40 x 17 mm

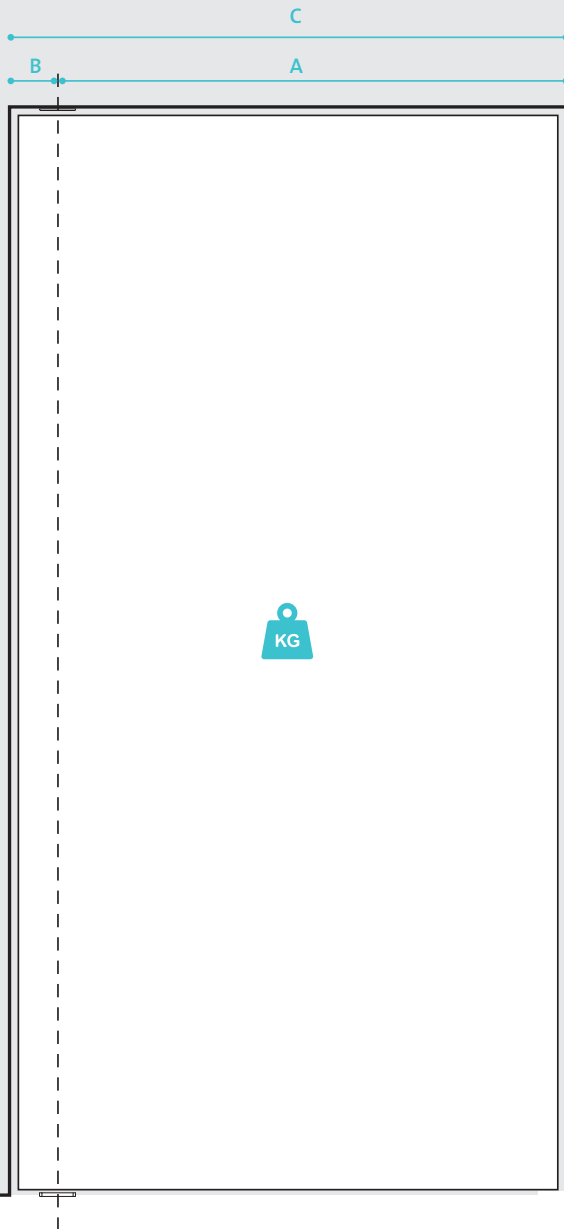


Ceiling plate (FJS/CPXXBSBK - B class)
Ceiling plate (FJS/CPXXGSBK - G class)
Stainless steel (Series 420)
60 x 40 x 17 mm



The floor plate is available in two finishes: brushed stainless steel (Series 420) and PVD black. Choose between a flush or a standard version. The floor plates by FritsJurgens are made of solid tempered steel and therefore fully scratch resistant. The ceiling plate is available in brushed stainless steel and black as well and can be obtained in the rectangular version only.

SYSTEM M/ M+ MODEL SELECTOR



To ensure the pivot system provides the appropriate movement for your door, System M/M+ is available in eight models to suited to the weight and width of the door to ensure the door closes everytime. There are no height limits on the door.

System M/M+ is suitable for pivot doors covering a weight range between 20 and 500kg (subject to the width and weight chart for guaranteed closing). The systems are suitable for single and double action doors, When combined with the door frames, the latch control ensures that the door closes properly.

Fully concealed, the minimum pivot point is 70mm from the edge of the door, this is movable to the midpoint of the door. To maximise opening space for narrow doors, you can use a 40mm fixed pivot point version. This unit is visible on the edge of the door (top & bottom) when the door is open.

EXAMPLE

Use the model selector charts on the following pages:

Door specifications: Width: 1600mm, height 3200mm, weight 165kg.

The distance between the pivot point and the side of the door is 70mm

1. Check the door width
C = 1600 mm
2. Determine the distance of pivot point to the latch side of the door:
3. **C minus B = A: 1530mm**
4. Fill in the weight
KG = 165 kg

The following system suits this door:

FJS/STM+70DSSS

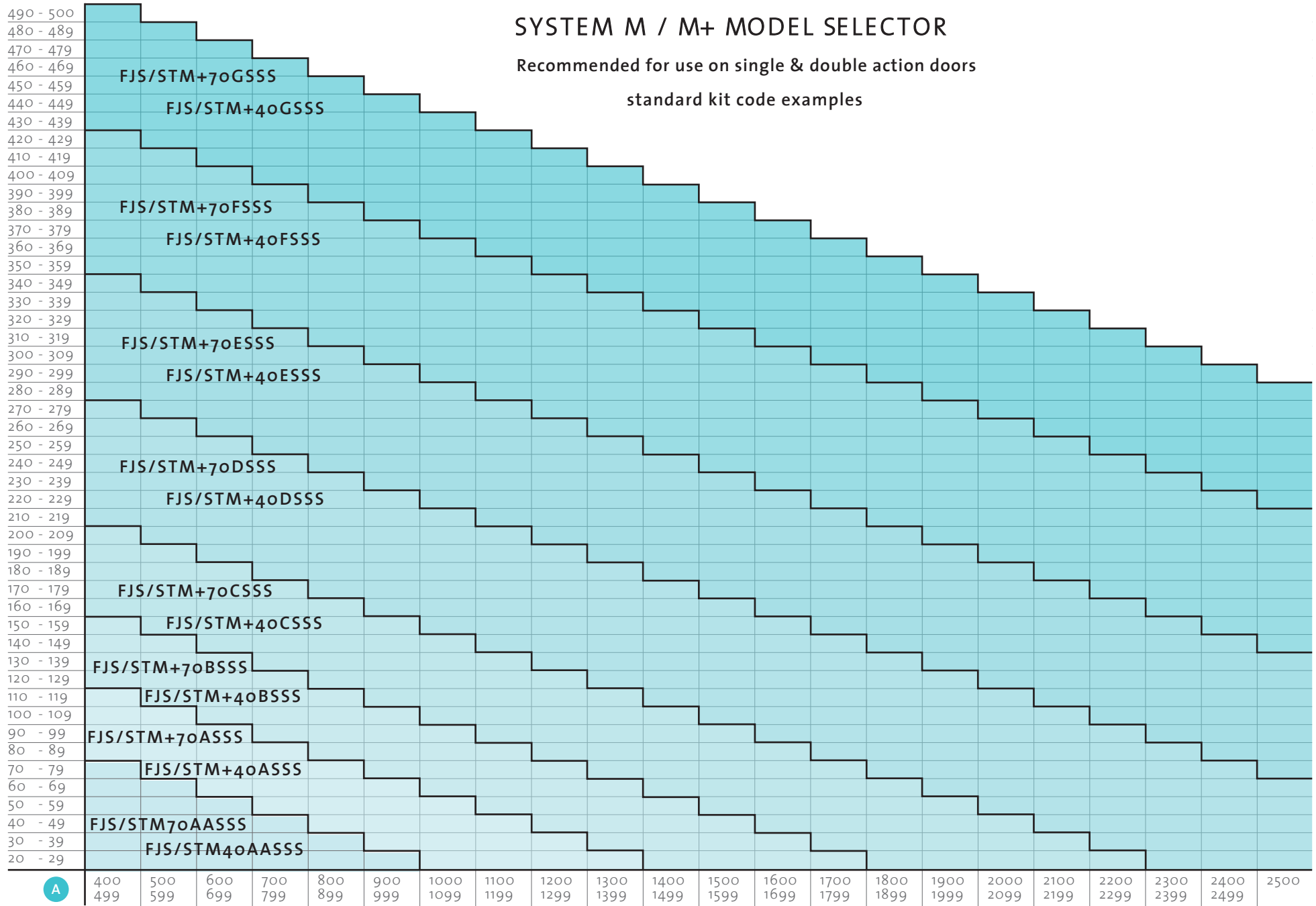
Does your pivot door have other measurements than shown here? FritsJurgens has an on-site testing facility which enables us to determine whether our systems are suitable for your situation.



SYSTEM M / M+ MODEL SELECTOR

Recommended for use on single & double action doors

standard kit code examples



70mm Pivot point specification codes



Kit supplied with
standard floor plate

Kit finish: Satin stainless steel

Kit finish: Black

FJS/STM+70ASSS
FJS/STM+70BSSS
FJS/STM+70CSSS
FJS/STM+70DSSS
FJS/STM+70ESSS
FJS/STM+70FSSS
FJS/STM+70GSSS

FJS/STM+70ASBK
FJS/STM+70BSBK
FJS/STM+70CSBK
FJS/STM+70DSBK
FJS/STM+70ESBK
FJS/STM+70FSBK
FJS/STM+70GSBK



Kit supplied with
flush floor plate

Kit finish: Satin stainless steel

Kit finish: Black

FJS/STM+70AFSSS
FJS/STM+70BFSSS
FJS/STM+70CFSSS
FJS/STM+70DFSSS
FJS/STM+70EFSSS
FJS/STM+70FFSSS
FJS/STM+70GFSSS

FJS/STM+70AFSBK
FJS/STM+70BFSBK
FJS/STM+70CFSBK
FJS/STM+70DFSBK
FJS/STM+70EFSBK
FJS/STM+70FFSBK
FJS/STM+70GFSBK



40mm Pivot point specification codes



Kit supplied with
standard floor plate

Kit finish: Satin stainless steel

Kit finish: Black

FJS/STM+40ASSS
FJS/STM+40BSSS
FJS/STM+40CSSS
FJS/STM+40DSSS
FJS/STM+40ESSS
FJS/STM+40FSSS
FJS/STM+40GSSS

FJS/STM+40ASBK
FJS/STM+40BSBK
FJS/STM+40CSBK
FJS/STM+40DSBK
FJS/STM+40ESBK
FJS/STM+40FSBK
FJS/STM+40GSBK



Kit supplied with
flush floor plate

Kit finish: Satin stainless steel

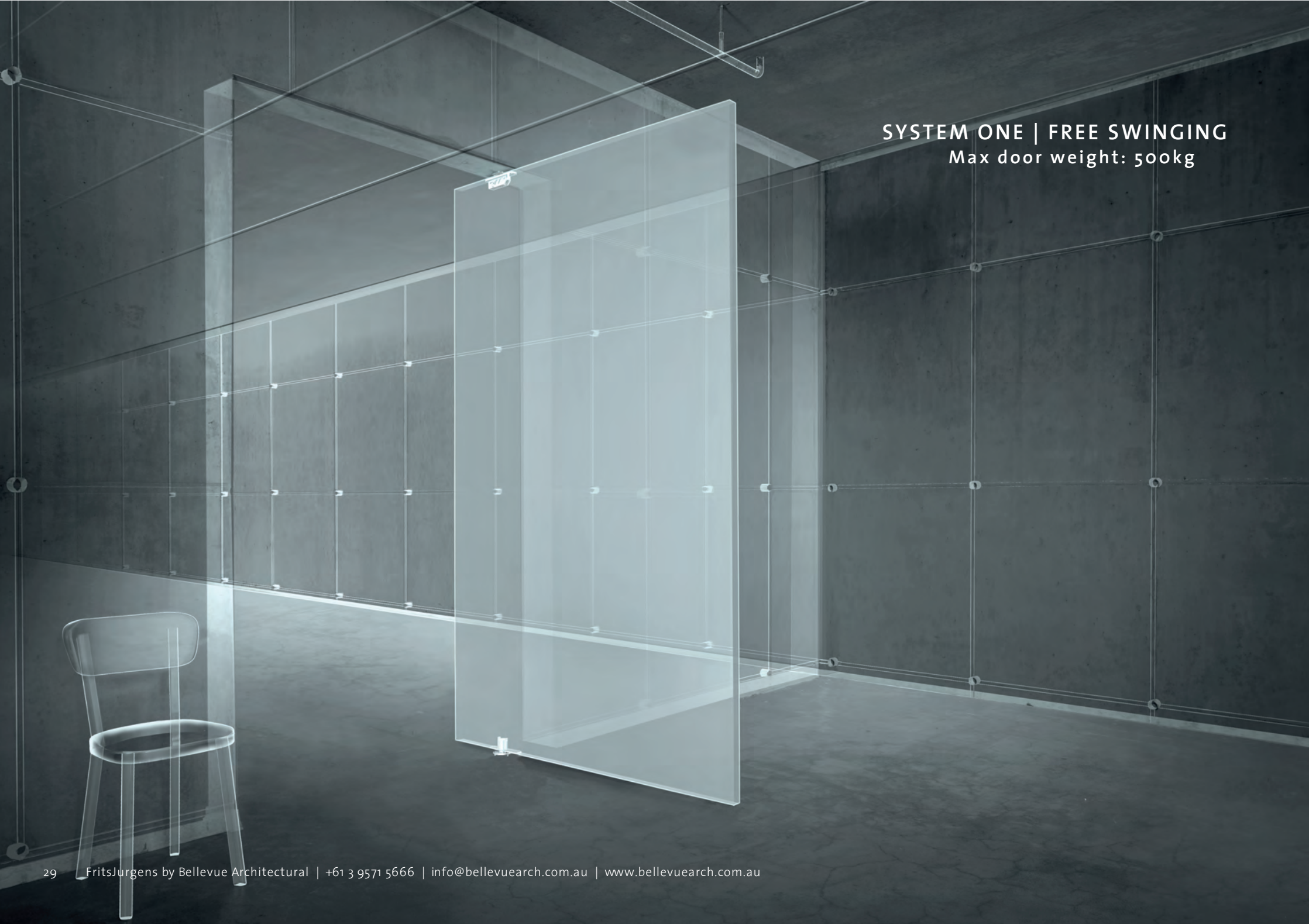
Kit finish: Black

FJS/STM+40AFSSS
FJS/STM+40BFSSS
FJS/STM+40CFSSS
FJS/STM+40DFSSS
FJS/STM+40EFSSS
FJS/STM+40FFSSS
FJS/STM+40GFSSS

FJS/STM+40AFSBK
FJS/STM+40BFSBK
FJS/STM+40CFSBK
FJS/STM+40DFSBK
FJS/STM+40EFSBK
FJS/STM+40FFSBK
FJS/STM+40GFSBK



SYSTEM ONE | FREE SWINGING
Max door weight: 500kg



FRITSJURGENS SYSTEM ONE | Free-swinging



SYSTEM ONE | Free-swinging

SYSTEM SPECIFICATIONS

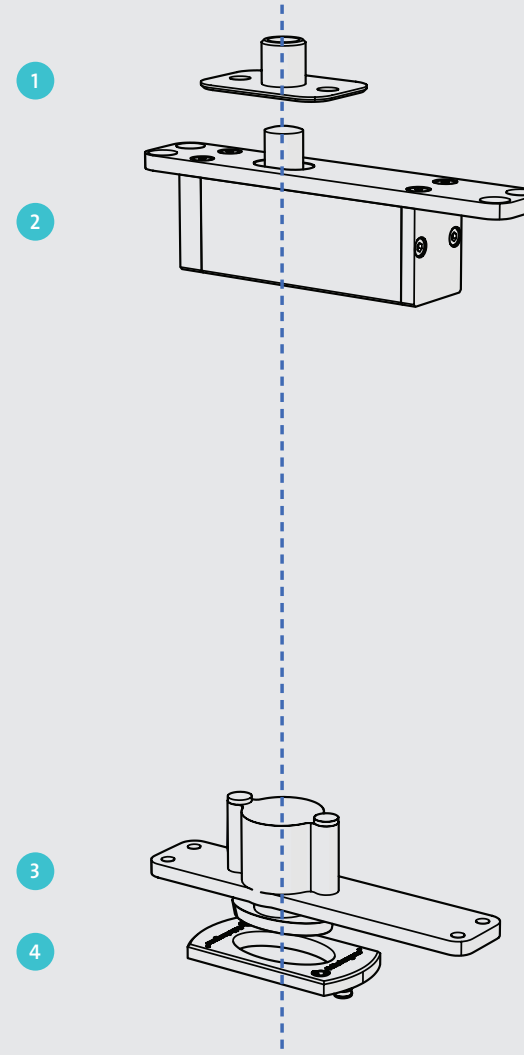
Type	System One - FJS/STONE40GSNSS System One - FJS/STONE70GSNSS
Dimensions	160 x 32 x 39 mm
Weight	0,36 KG
Material	Stainless steel Anodized aluminum
Corrosion resistance	EN 1670 - class 5 (norm:0-5)

DOOR SPECIFICATIONS

Door acting	Full rotation 360° movement Single-action 90° rotation Double-action 180° movement
Weight capacity	0-500 KG
Door width	Unlimited
Door height	Unlimited
Pivot point	70mm from pivot point to short side
Min. door thickness	40 mm

DOOR MOVEMENT

Door movement	360° free-swinging pivot
---------------	--------------------------



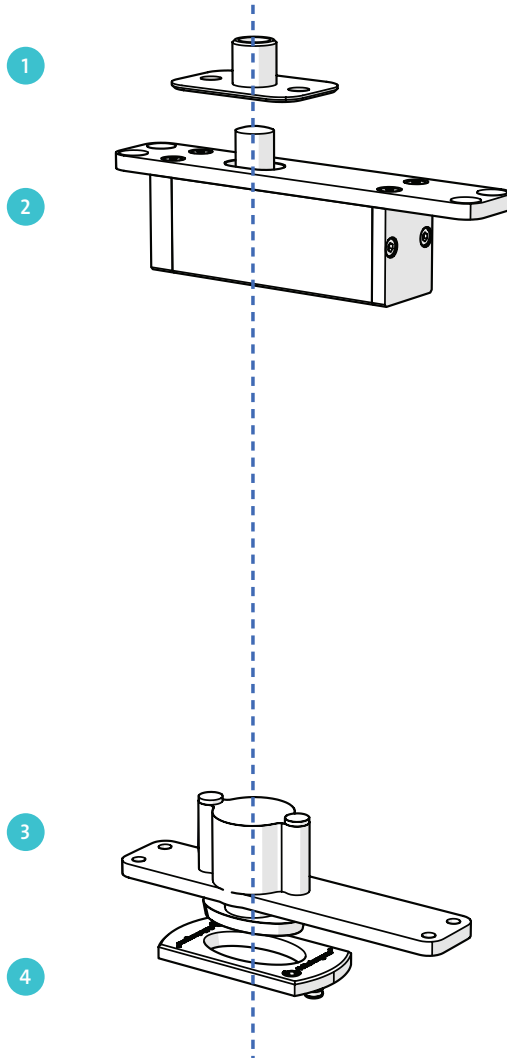
SYSTEM ONE COMPONENTS

1. Ceiling plate (FJS/CPXXGSSS)
2. Top pivot 70 (FJS/TPX70GXSS)
3. System One (FJS01MKB)
4. Square floor plate (FJVP8040B)

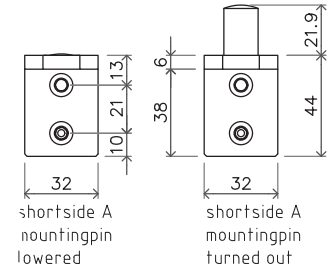
Ceiling plate and floor plate in stainless steel (Series 420).

TECHNICAL DRAWING SYSTEM ONE | Free - swinging

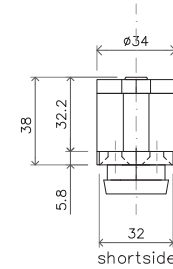
1. Ceiling plate (FJS/CPXXGSSS)
2. Top pivot 70 (FJS/TPX70GXSS)
3. System One (FJS01MKB)
4. Square floor plate (FJVP8040B)



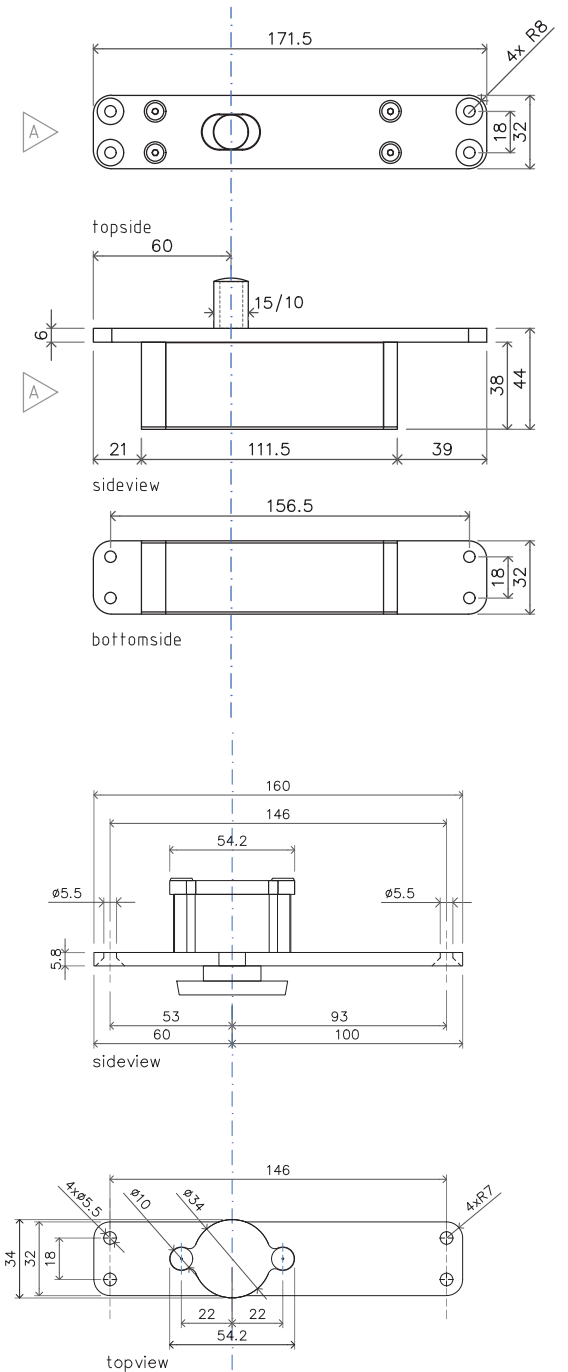
COMPONENTS



Top pivot 70 mm - Class G



System One



SYSTEM 3 | 360° FULL ROTATION
Centre door mounted



FRITSJURGENS SYSTEM 3 | Centre-mounted doors with full 360° rotation only



SYSTEM 3 | Centre-mounted doors with full 360° rotation only

SYSTEM SPECIFICATIONS

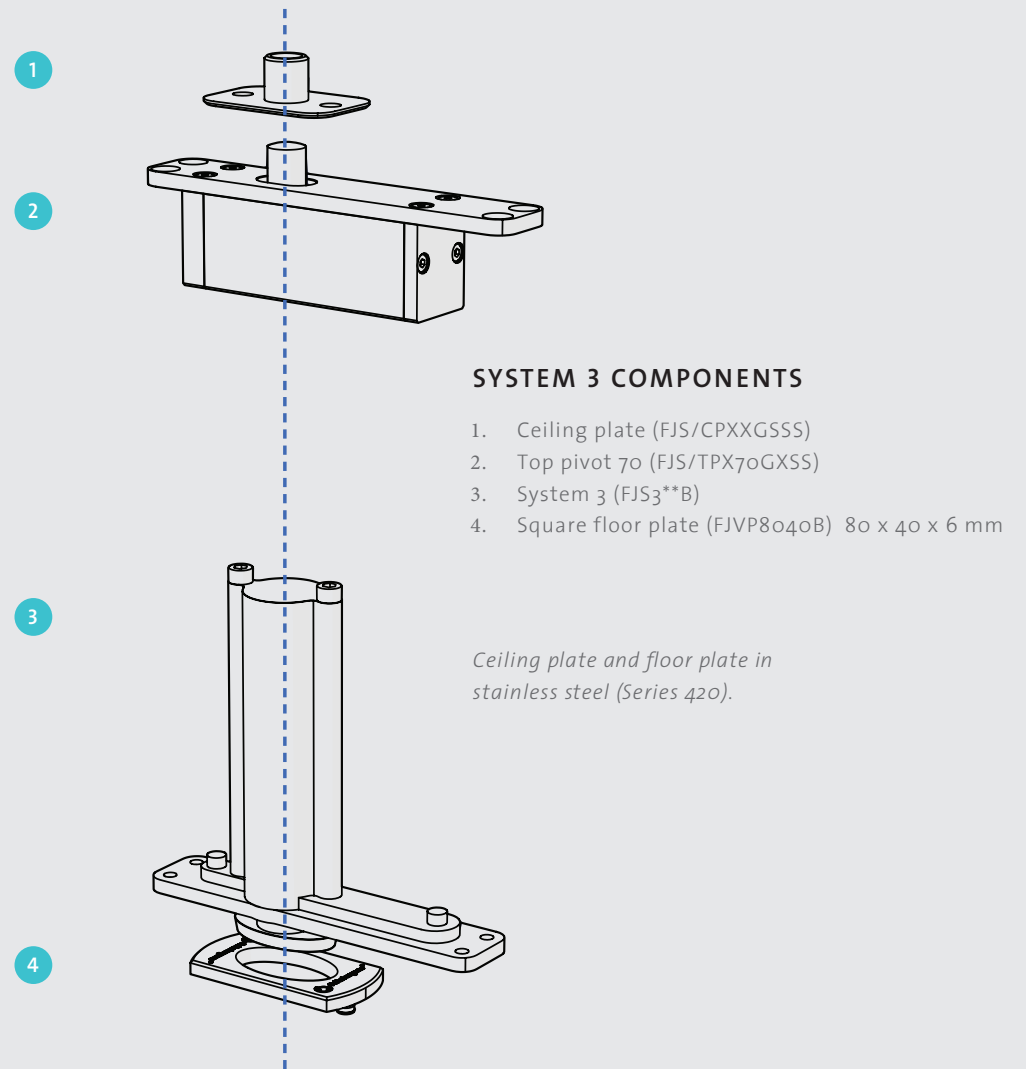
Types	System 3 - FJS/STS370AASSS System 3 - FJS/STS370CSSS System 3 - FJS/STS370ESSS System 3 - FJS/STS370GSSS
Dimensions	160 x 32 x 143 mm
Weight	0,75 KG
Material	Stainless steel Anodized aluminum
Corrosion resistance	EN 1670 - class 5 (norm:0-5)

DOOR SPECIFICATIONS

Door acting	Full rotation 360° movement
Hold positioning	Hold positions 0°, 90°, 180° and 270°
Weight capacity	40-350 KG (max bearing capacity of 500kg)
Door width	1000 - 3800 mm
Door height	Unlimited
Pivot point	Middle (minimum 500mm)
Min. door thickness	40 mm

DOOR MOVEMENT

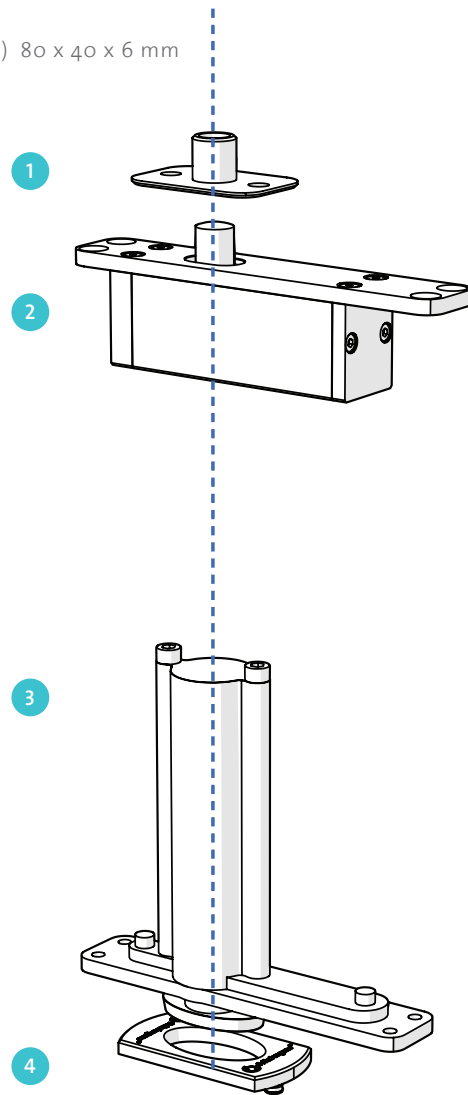
Door movement	Door moves from each 45° angle, in both directions, to a hold position.
---------------	---



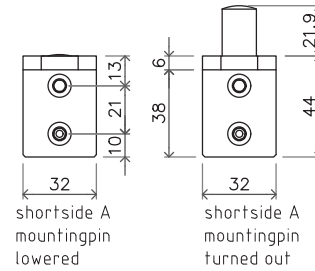
System 3 is suitable for room dividers and can be applied to create doors that rotate 360°. With this pivot hinge, a door can rotate in a full circle. System 3 has hold positions at every 90° angle and the door always moves to one of the hold positions. System 3 has a bearing capacity of 500kg.

TECHNICAL DRAWING SYSTEM 3 | Centre-mounted doors with full 360° rotation only

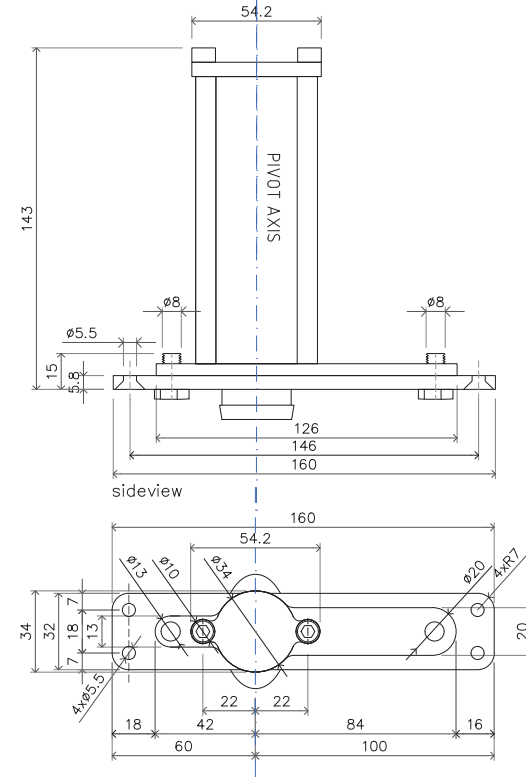
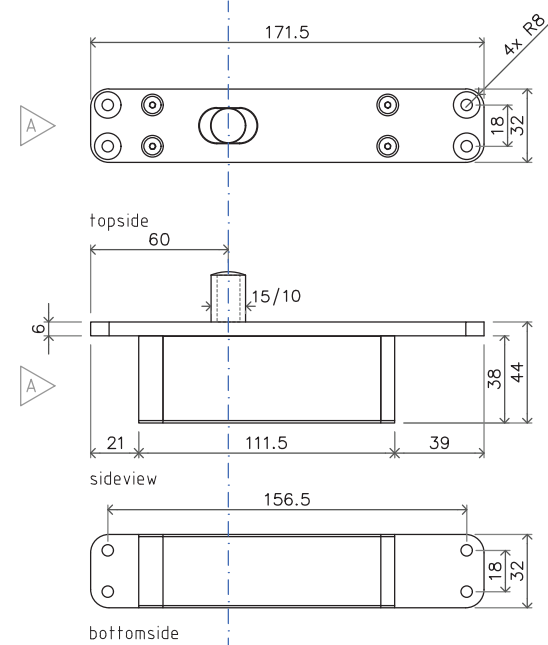
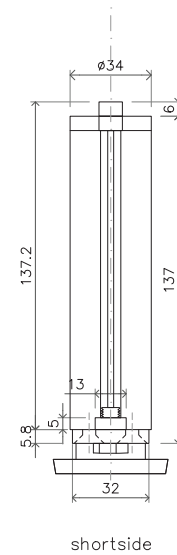
1. Ceiling plate (FJS/CPXXGSSS)
2. Top pivot 70 (FJS/TPX70GXSS)
3. System 3 (FJS/STS3**)
4. Square floor plate (FJVP8040B) 80 x 40 x 6 mm



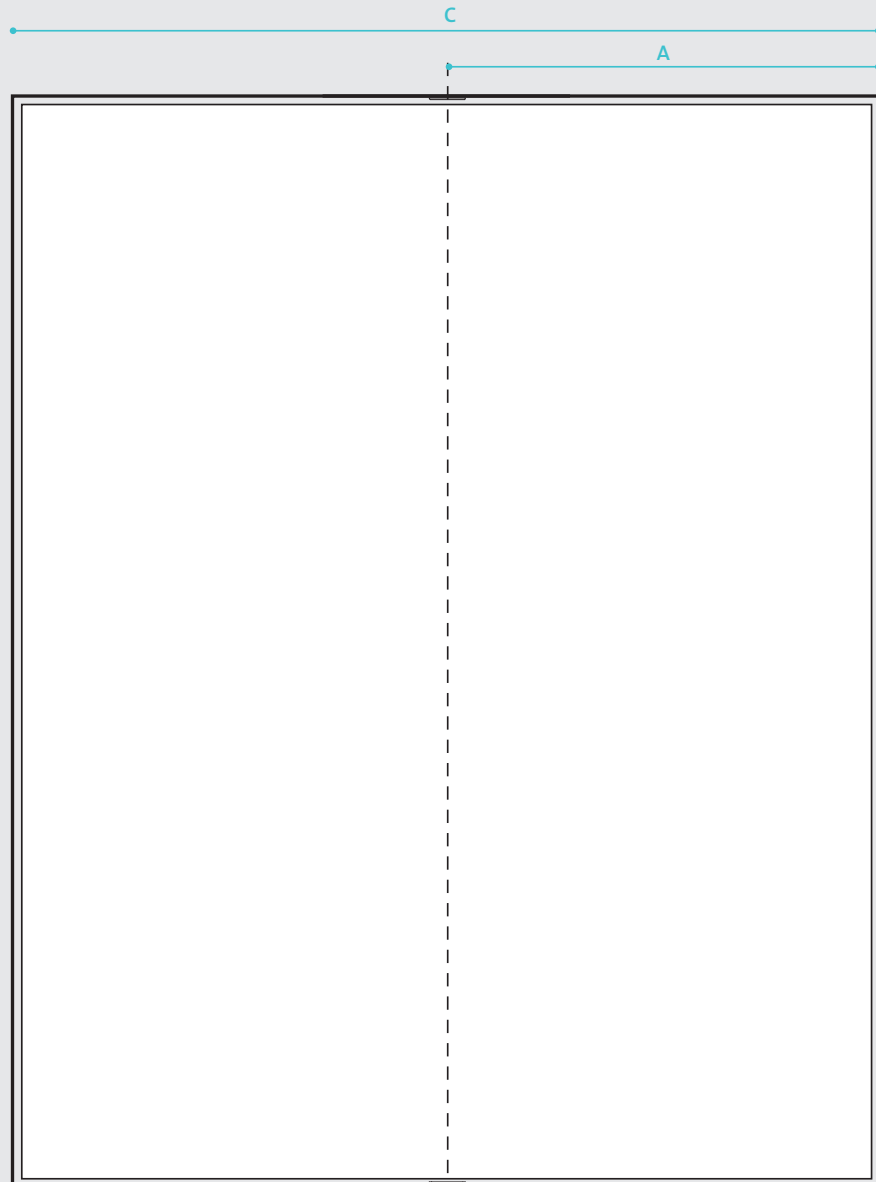
COMPONENTS



Top pivot 70 mm - Class G



SYSTEM 3 MODEL SELECTOR | Centre-mounted doors with full 360° rotation only



To ensure the pivot system provides the appropriate movement for your door, System 3 is available in four models suited to the weight and width of the door to ensure the door self-opens and self-closes every time. There are no height limits on the door.

EXAMPLE

Use the model selector charts on the next page.

Door specifications: Width: 1600mm, height 3200mm, weight 165kg.

1. Check the door width
C = 2400 mm
2. Determine the distance of pivot point to the latch side of the door:
A (C:2) 2400 mm : 2 = 1200 mm
3. Fill in the weight
KG = 165 kg

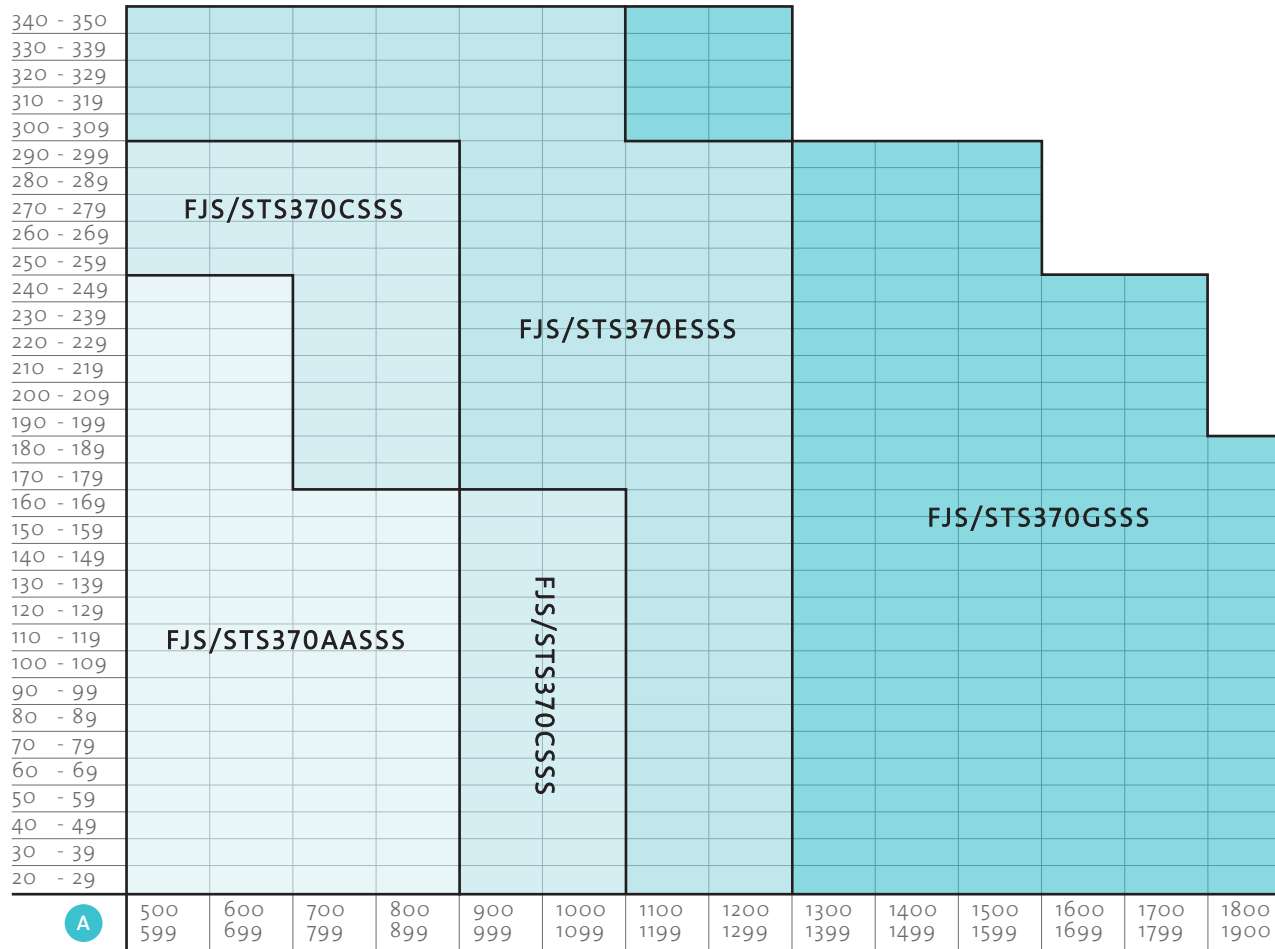
The following system suits this door: **FJS/STS370ESSS**

Does your pivot door have other measurements than shown here? Please do not hesitate to contact us. FritsJurgens has an on-site testing facility which enables us to determine whether our systems are suitable for your specific situation.

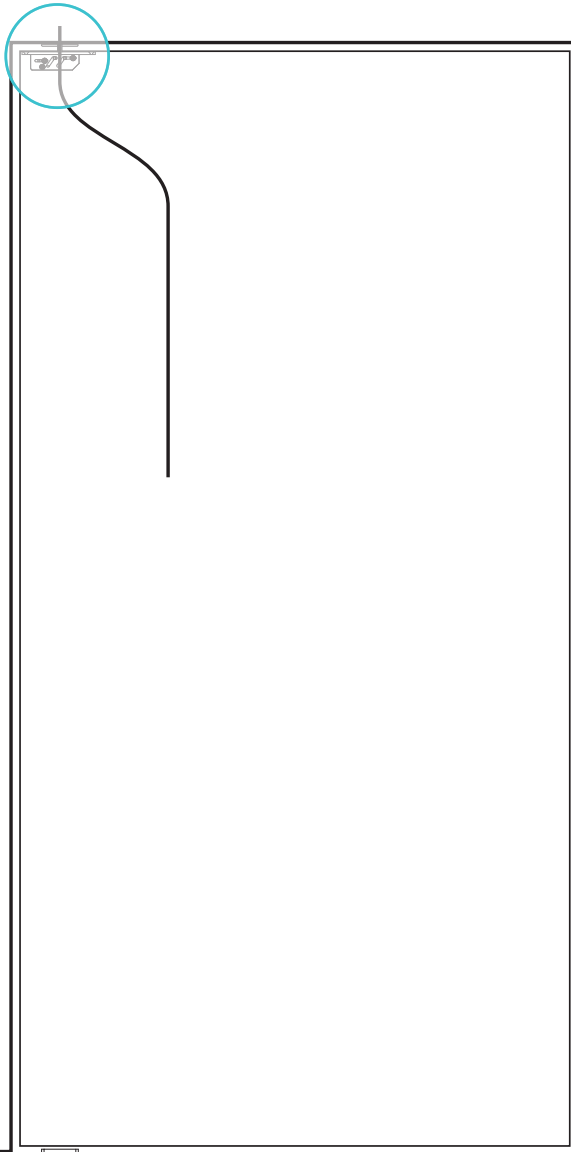
FritsJurgens by Bellevue Architectural | +61 3 9571 5666 | info@bellevuearch.com.au | www.bellevuearch.com.au

SYSTEM 3 MODEL SELECTOR

Centre-mounted doors with full 360° rotation only



ACCESSORIES: CABLE GROMMET



The Cable Grommet is an addition to the existing FritsJurgens top pivot range and enables wiring in the door. This top pivot contains an integrated cable grommet of $\text{Ø}7.5$ mm. This version of the top pivot is available with every FritsJurgens system and replaces the standard delivered top pivot and ceiling plate within a complete set.

CABLE GROMMET

SPECIFICATIONS

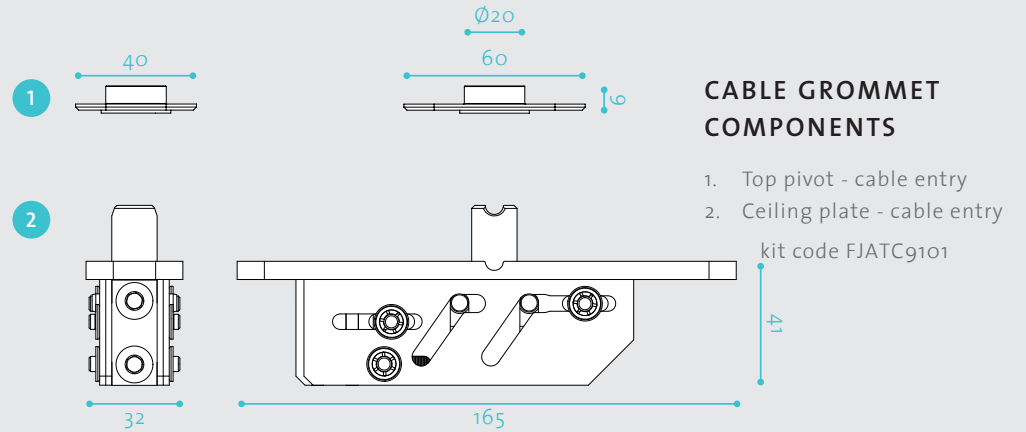
Types	FritsJurgens top pivot - cable entry FritsJurgens ceiling plate - cable entry
Dimensions	165 x 32 x 41 mm

FOR TYPES OF DOORS

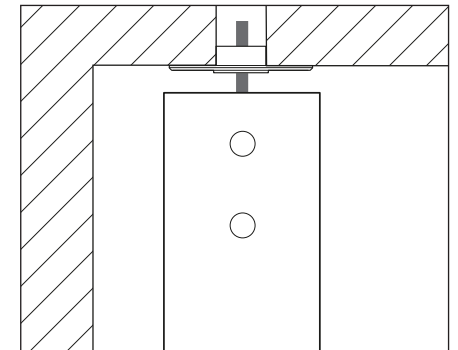
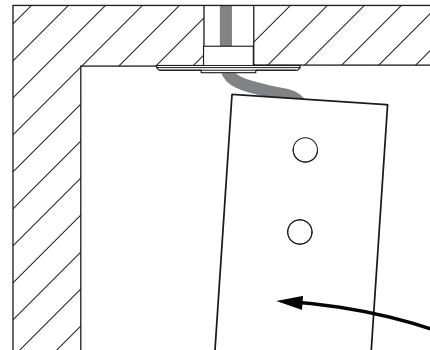
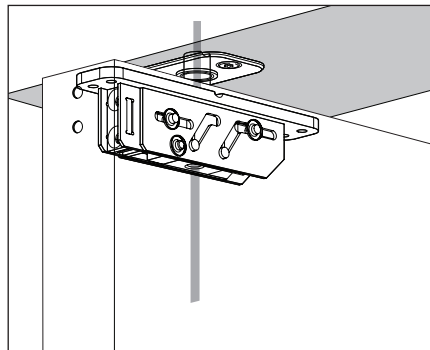
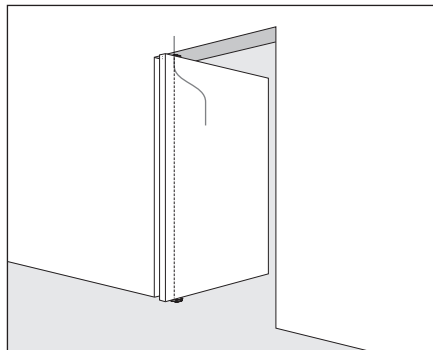
Door acting	Double-action Single-action
Weight capacity	0-500 KG
Door width	Refer to the system it is to be used with
Door height	Unlimited
Pivot point	Min. 91 mm from pivot point to short side
Min. door thickness	40 mm

ORDER CODES

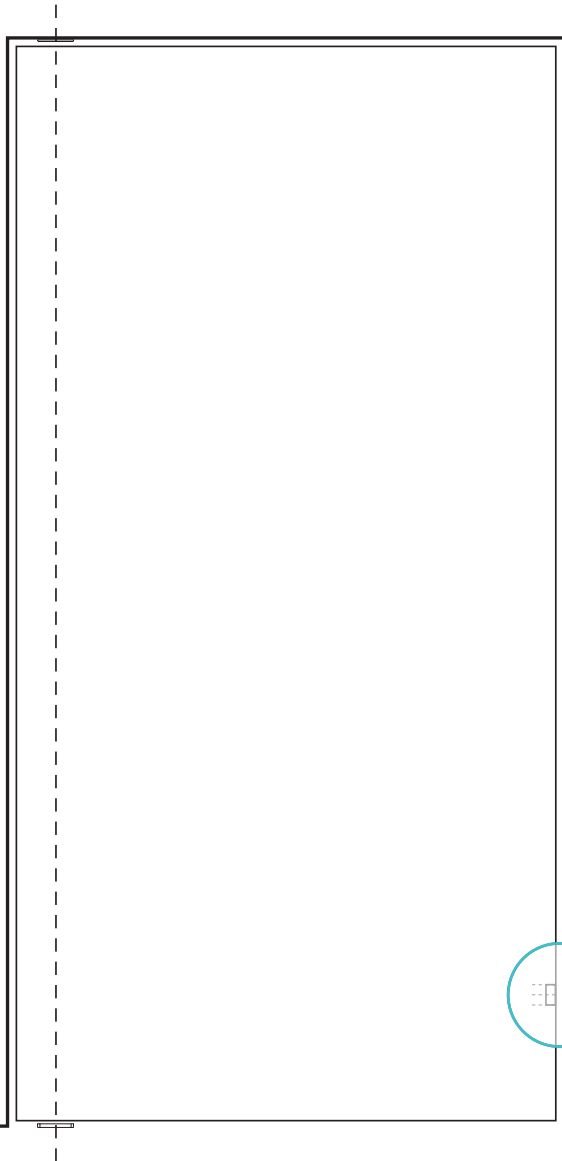
Cable grommet hole FritsJurgens top pivot & ceiling plate with cable entry:
To be purchased as a separate unit (FJATC9101)
Supplied in place of the standard when purchasing a kit (FJATC9101U)



INSTALLATION



ACCESSORIES: FLUSH



The Flush consists of two strong magnets. These are mounted in the bottom side of the pivot door and the adjacent wall. The Flush hereby strengthens the 0° position of every pivot door, regardless its size or weight. The pivot door is always perfectly in line with the adjacent wall or door. A seamless junction, fully 'flush'.

FLUSH

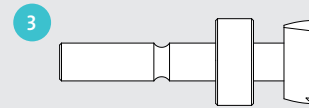
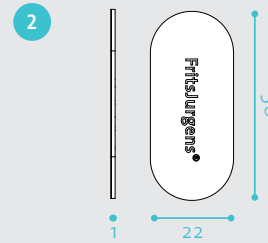
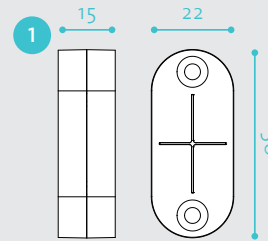
SPECIFICATIONS

Types	FritsJurgens Flush - stainless steel (FJ707001) FritsJurgens Flush - black (FJ707002) Optional: Forstner drill bit Ø22 mm with clamping ring (FJ707100)
-------	---

Dimensions	50 x 22 x 15 mm
------------	-----------------

FOR TYPES OF DOORS

Door acting	Double-action Single-action
Weight capacity	N/A
Door width	N/A
Door height	N/A
Pivot point	N/A
Min. door thickness	40 mm

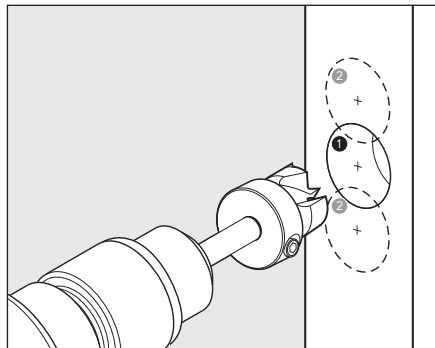


FLUSH COMPONENTS

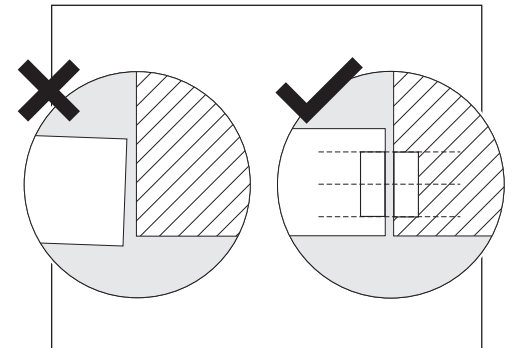
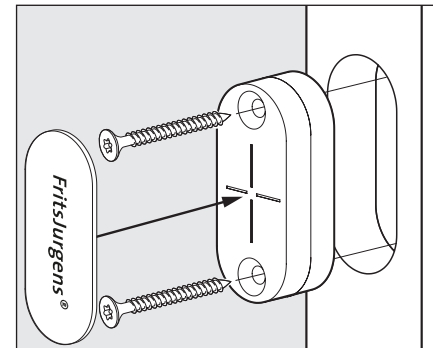
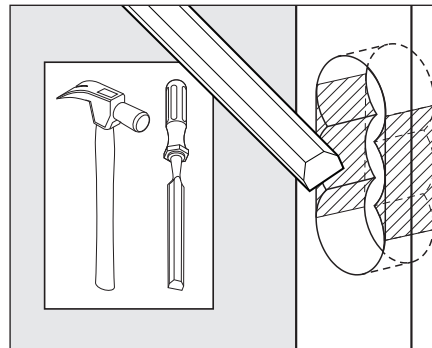
1. Magnets (2x)
2. Cover plates (2x)
3. Optional: drill bit Ø22 mm

Cover plates in stainless steel or black

INSTALLATION

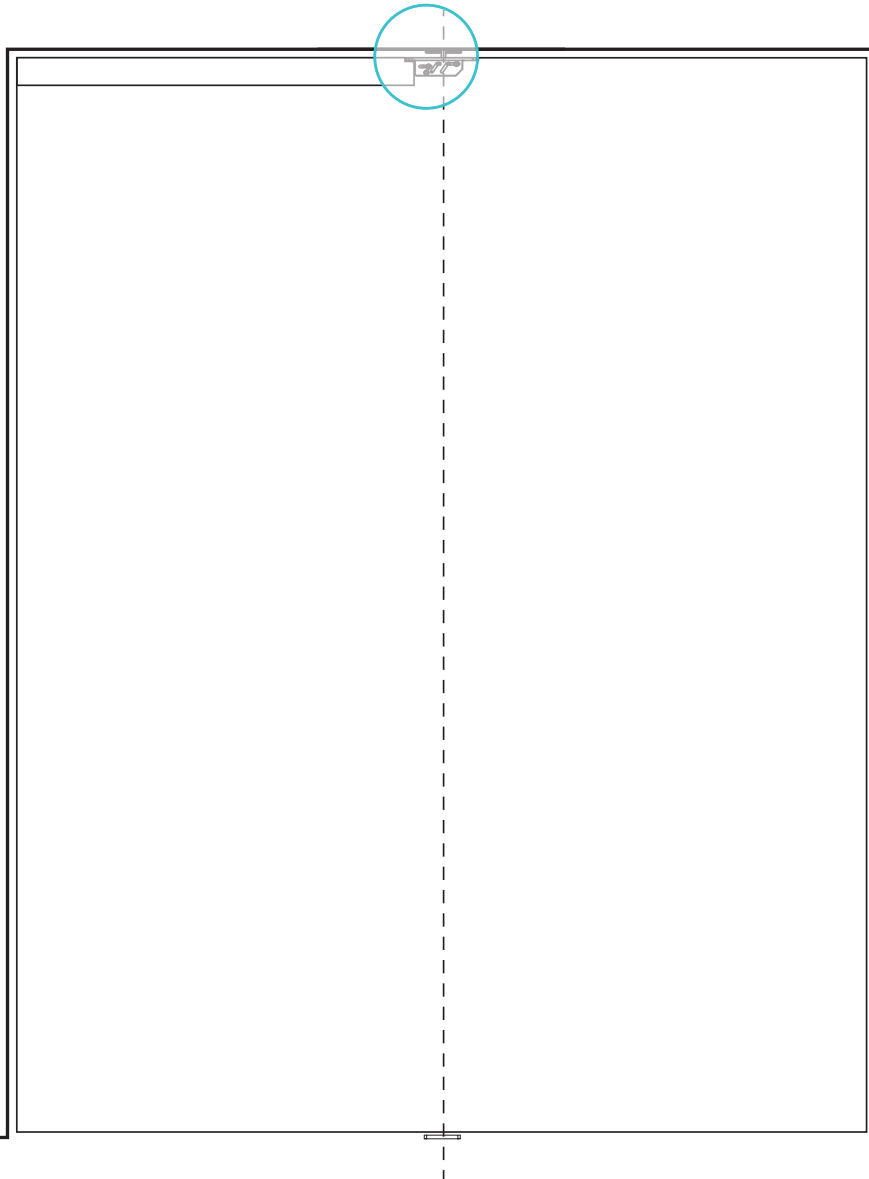


Recommended for use:
Forstner drill bit Ø22 mm
Optional to order



Door seam <---->
3.0 mm - 6.0 mm

HEXAGON GUIDE



The Hexagon Guide can ease the installation of the pivot door.
The minimum distance from the pivot point to the edge of the door is 40 mm and the maximum distance is the middle of the door width.

When the pivot point is greater than 280 mm from the edge of the door, the Hexagon Guide can help to make the installation even easier.

HEXAGON GUIDE

SPECIFICATIONS

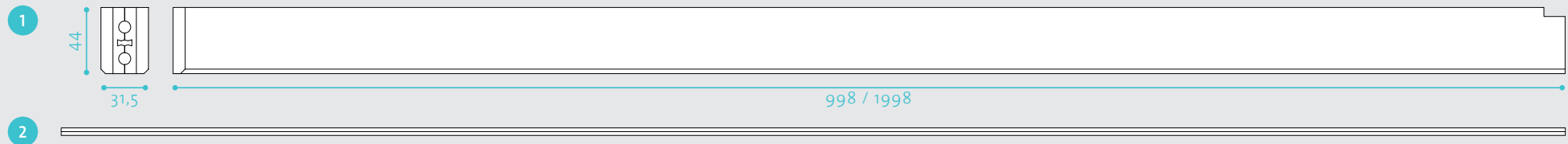
Types	FritsJurgens Hexagon Guide - 1 metre length (FJ706000) FritsJurgens Hexagon Guide - 2 metre length (FJ706200)
Dimensions	1M: 998 x 31.5 x 44 mm 2M: 1998 x 31.5 x 44 mm

FOR TYPES OF DOORS

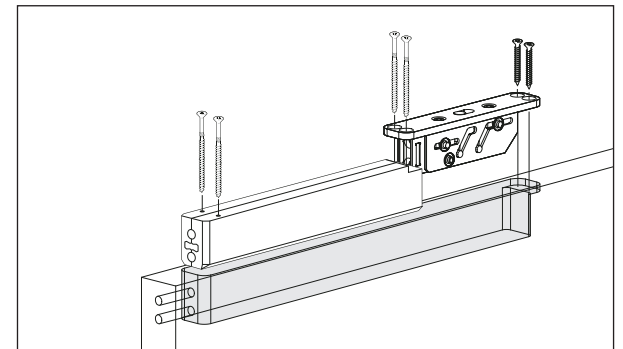
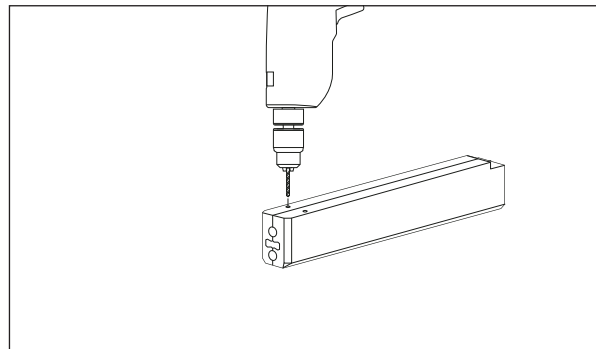
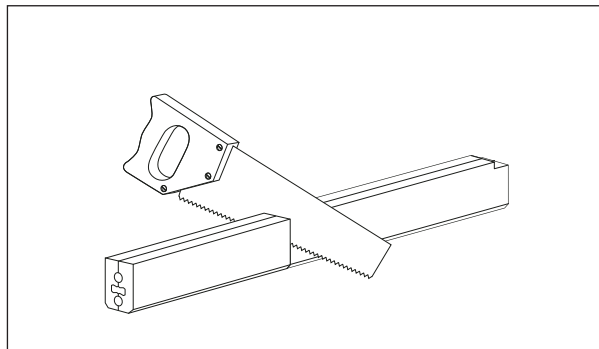
Door acting	Double-action Single-action
Weight capacity	0-500 KG
Door width	Refer to the system it is to be used with
Door height	Unlimited
Pivot point	Min. 280 mm from pivot point to short side
Min. door thickness	40 mm

HEXAGON GUIDE COMPONENTS

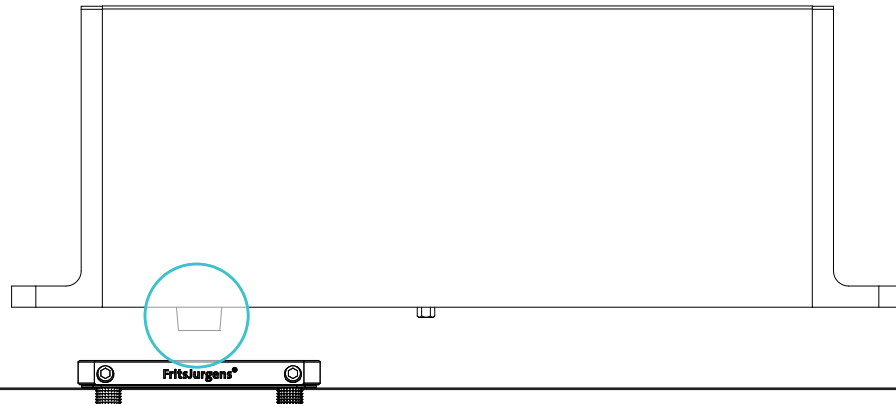
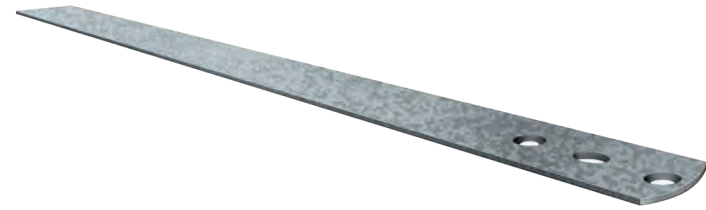
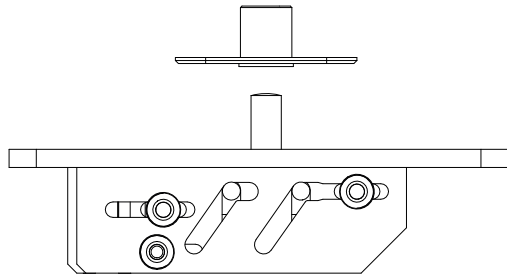
1. Hexagon Guide
2. Hexagon key



INSTALLATION



AXLE WRENCH



When installing a door fitted with System M / M+, it is very important that the door is installed in its open position. This can be accomplished by using the Axle Wrench to rotate the oval spindle in the bottom of the System M / M+ 90°, pointing the arrow toward the direction the door will be opening (latching side). In case of frequent use it is possible to mount the floor plate on the Axle Wrench.

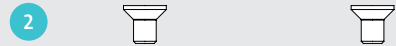
AXLE WRENCH

SPECIFICATIONS

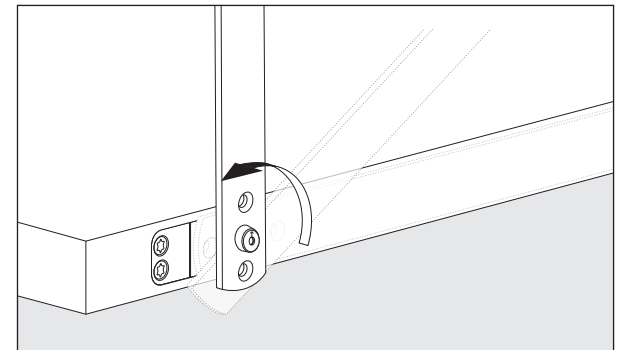
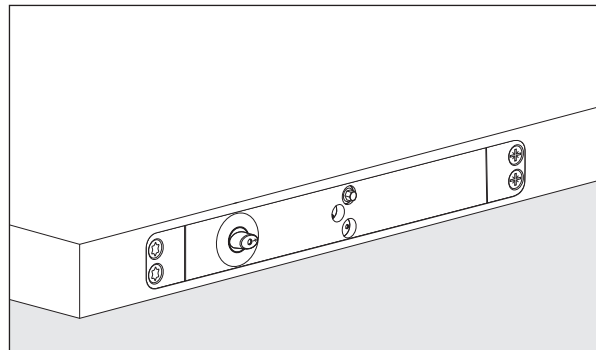
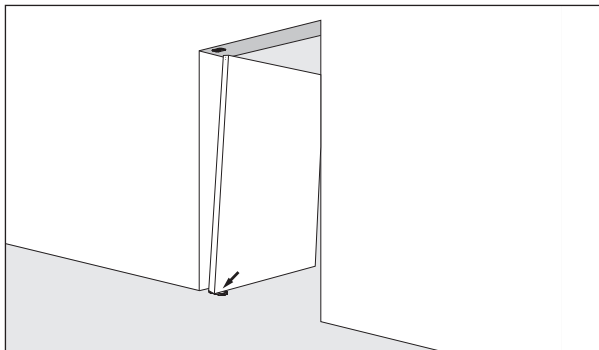
Types	FritsJurgens Axle Wrench (FJ500503)
Dimensions	400 x 36 x 3 mm

AXLE WRENCH COMPONENTS

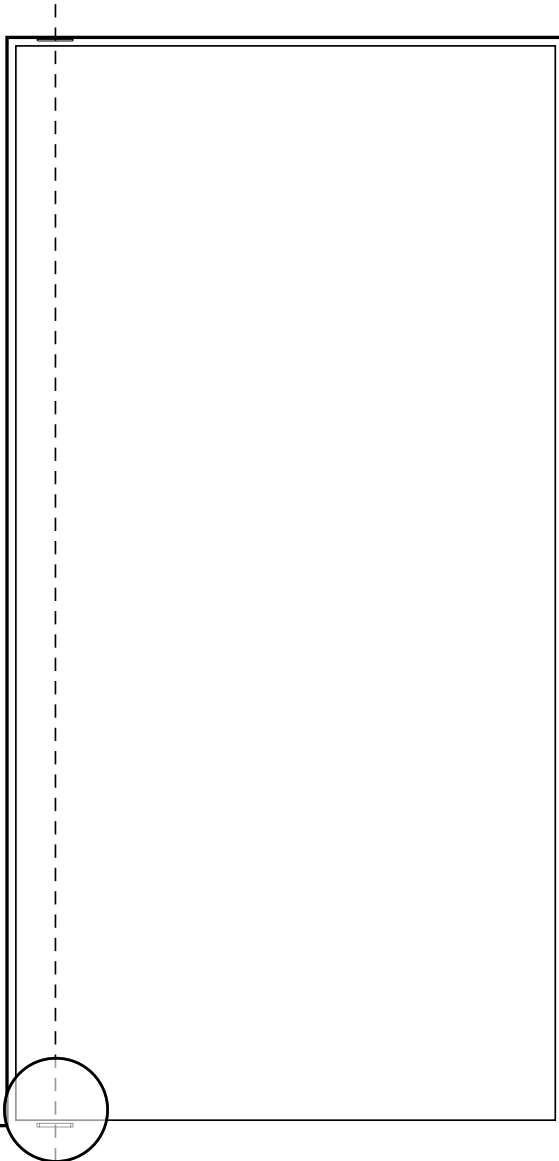
1. Axle Wrench
2. 2x M6 fixing screws (in case of frequent use it is possible to mount the floor plate on the Axle Wrench).



INSTALLATION



ACCESSORIES: FLOOR PLATE FLUSH



Suitable for use on internal and external doors. Create an even more seamless transition between rooms or floor finishes by using the FritsJurgens flush floor plate.

The new FritsJurgens flush floor plates are available in either a brushed stainless steel (420 grade), or electro matt black (EMB) finishes. Creating only a 7mm gap from the bottom of the door to the floor surface. This unit is non-adjustable.

The FritsJurgens flush floor plate can be integrated into thresholds & into interior floors. Made of solid tempered steel and therefore fully scratch resistant (excludes the EMB finish).

ACCESSORIES: FLUSH FLOOR PLATE

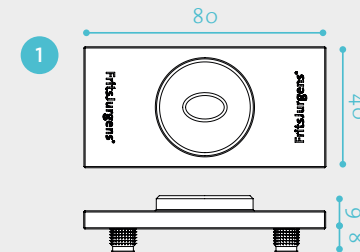
SPECIFICATIONS

Types	FritsJurgens floor plate Flush square (see below for ordering codes) FritsJurgens floor plate Flush rounded (see below for ordering codes)
Dimensions	80 x 40 x 9 mm

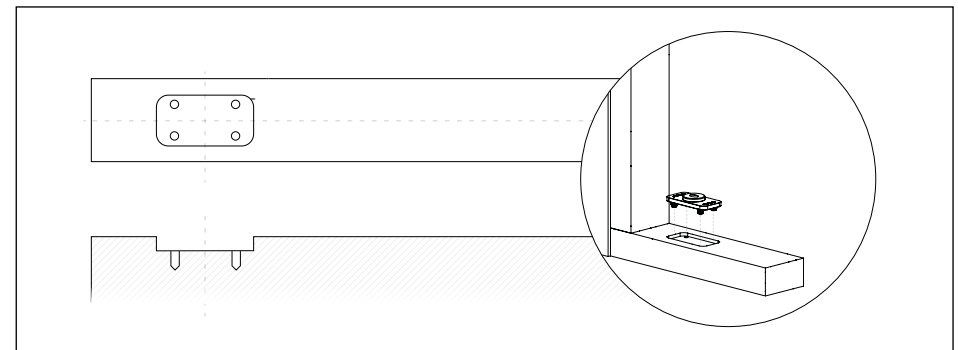
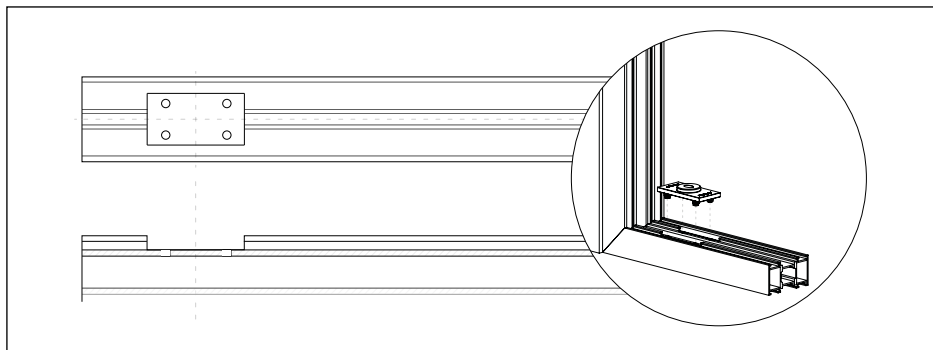
FOR TYPES OF DOORS

Door acting	Double-action Single-action
Weight capacity	0-500 KG
Door width	N/A
Min. door thickness	40mm
Pivot point	Min. 40 mm from pivot point to short side
Ordering codes:	FJVP8040MSS/FLSQ - Flush square end floor plate - Satin stainless steel FJVP8040MEMB/FLSQ - Flush square end floor plate - Electro matt black

It is also possible to upgrade a kit you are purchasing to include the flush floor plate. Please contact Bellevue Architectural for assistance.



INSTALLATION



ACCESSORIES: THOMSON SUB-STRATA FLOOR PLATE & PACKERS

Function

Australian designed & made to provide enhanced strength to the sub-strata surface when mounting the FritsJurgens floor plate when using the FritsJurgens range of pivot hinges.

As a result of stresses due to door size and weight, the sub-strata surface may not be suited to carry the load. By spreading the stresses of a large moving heavy door over a wider area than just the FritsJurgens floor plate, you can reduce the risk of the sub-strata surface cracking.

Added benefits include slab edge mounting, packers to build up to floor height, predefined positions on the base plate for mounting of the packers and pivot floor plate.

There are three mounting positions available on the base plate; edge, side and middle mounting.

Components

1 x Sub Strata Base Plate (182 x 100 x 6mm)
1 x 10mm Base Plate Packer
1 x 5mm Base Plate Packer
1 x 3mm Base Plate Packer
2 x 1mm Base Plate Packer
8 x M8 Mounting Bolts

Specifications

FritsJurgens modles

All

Weight capacity

0-500 KG

Door width

Max 5000mm

Material

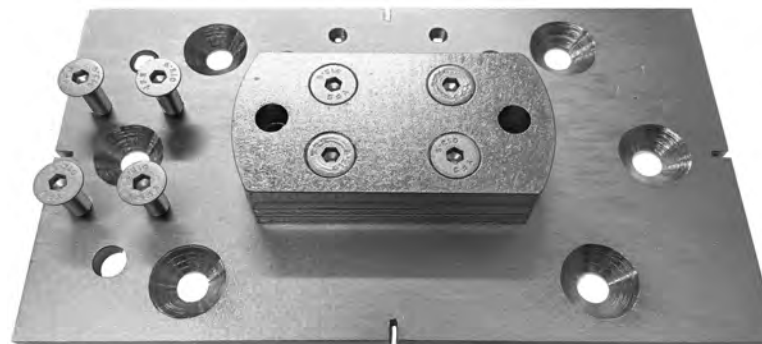
Galvanised stainless steel

Pivot point

Min. 40 mm from pivot point to short side

Ordering codes:

TFBP1 - Full kit
TFBP2 - 3mm Base Plate Packer
TFBP3 - 5mm Base Plate Packer



ACCESSORIES: SCHALL-EX® L15/30 WS PIVOT DROP SEAL

Function Until now, traditional drop seals have been fouled by the floor spring hardware or the nature of how the unit engages. These and other issues have now been addressed by the very clever adjustable roller actuator, thanks to Athmer.

The actuator has been designed to engage the drop seal not by pressing against a specific spot on the jamb, but rather, by rolling against an area of the jamb.

This difference in engagement of the seal can't be understated. The roller actuator allows the Athmer Schall-Ex® L15/30 WS Pivot to smoothly engage the seal and not create pressure on a traditional drop seal actuator that cannot cater for pivot door movement which is different than traditional hinged swing door movement.

The Athmer Schall-Ex® L15/30 WS Pivot is available in multiple lengths up to 2000mm and is designed to be used at the top and / or bottom of the door, providing sealing of the door top & bottom. By combining the Schall-Ex® L15/30 WS Pivot with the Athmer magnetic side strips, you can achieve a complete door seal. Something that has been so hard to achieve in the past.

Specifications

FritsJurgens models	All	
Actuator	Roller	
Door width	635 upto 2000mm	
Max seal travel	20mm	
Position	Top and bottom of door	
Ordering codes:	BAA946/0820	820mm can be shortened to 635mm
	BAA946/0920	920mm can be shortened to 760mm
	BAA946/1070	1070mm can be shortened to 885mm
	BAA946/1210	1210mm can be shortened to 1048mm
	BAA946/1333	1333mm can be shortened to 1135mm
	BAA946/1458	1458mm can be shortened to 1260mm
	BAA946/1583	1583mm can be shortened to 1385mm
	BAA946/1708	1708mm can be shortened to 1510mm
	BAA946/1883	1883mm can be shortened to 1635mm
	BAA946/2000	2000mm can be shortened to 1885mm
	BAA946/2150	2150mm can be shortened to 2010mm
	BAA946/2335	2335mm can be shortened to 2135mm
	BAA946/ASS	Actuating roller plate SSS



BELLEVUE

ARCHITECTURAL

BELLEVUE ARCHITECTURAL

954 Glen Huntly Rd ,

Caulfield South

Victoria 3162 Australia

+ 61 39571 5666

info@bellevuearch.com.au

www.bellevuearch.com.au

FritsJurgens®

FRITSJURGENS INTERNATIONAL

A. Einsteinlaan 1

9615 TE Kolham

The Netherlands

+31 598 343 410

info@fritsjurgens.com