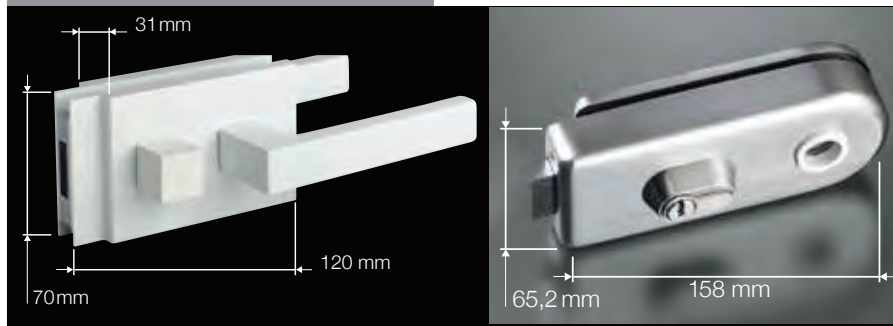


BGG | M-Lock Go Technical Data

Magnetic Lock kit for Double Action Glass Doors

Comparative View

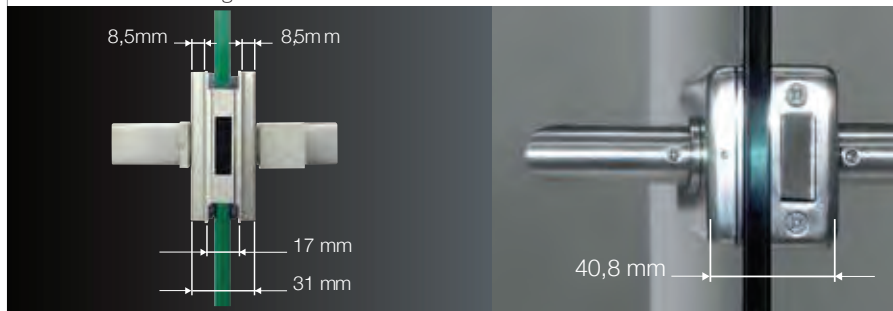


GFS Magnetic

Traditional Mechanical

EXTREMELY SMALL DIMENSION.

M-Lock has an extremely small overall dimensional footprint (lock and keeper) thanks to the fact it uses a magnetic lock in its construction. Magnetic locks don't need the large amount of space that traditional mechanical locks require to operate.



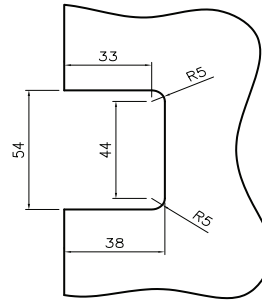
TRADITIONAL AND MAGNETIC LOCK IN COMPARISON.

There is a noticeable difference in size and design.

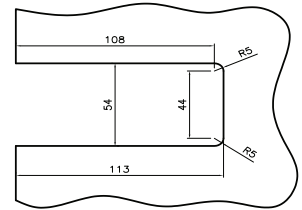
M-Lock Stop Adjustable Striker Glass to Timber



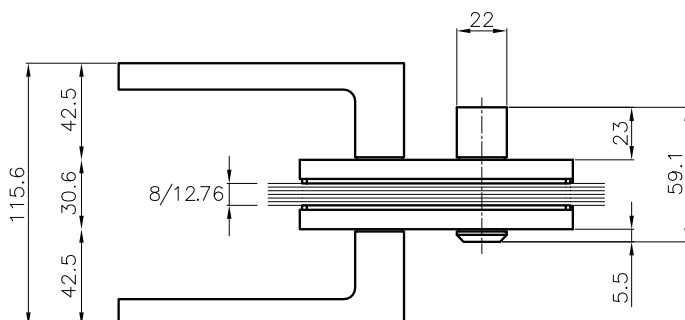
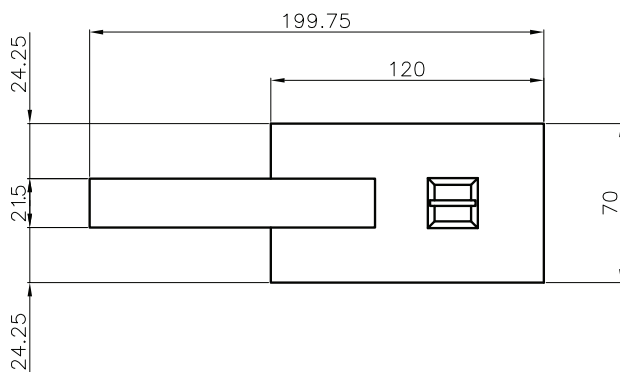
M-Lock Stop Adjustable Striker Glass to Glass



M-Lock Stop Glass Cut-out



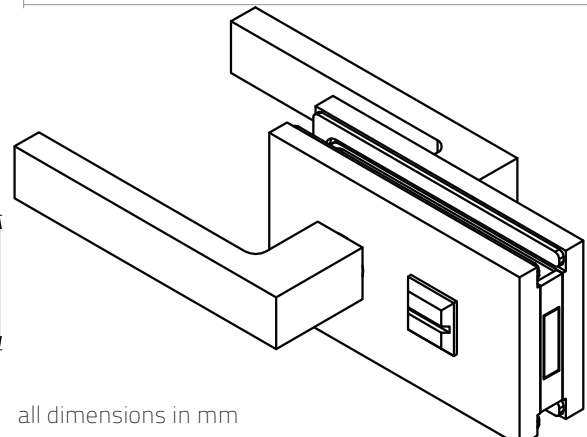
Dimensional Information



all dimensions in mm

M-Lock Go Quick Facts

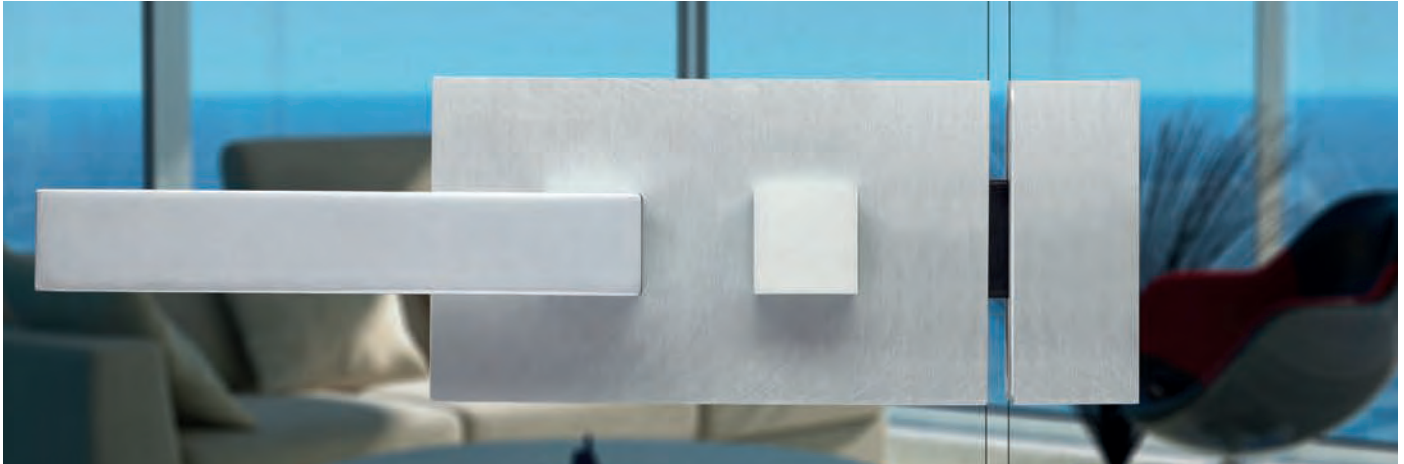
- 100% Made in Italy
- Tested to 500,000 cycles
- Available in multiple finishes
- Adjustable while the door is up
- Glass Thickness: 8 to 12.76mm
- 2 year manufacturer's guarantee
- Suitable for wet and dry locations
- Designed for double action swing doors
- Suitable for internal & external locations
- Suitable for high frequency opening doors
- Suitable for residential & commercial locations



BGG | M-Lock Go Functional Data

Magnetic Lock kit for Double Action Glass Doors

Architecturally Stylish Glass Door Passage, Privacy and Lock Sets



The M-Lock Go glass lock/latch from GFS of Italy is revolutionary in design and only 31mm thick. Incorporating a magnetic lock/latch at its core, the M-Lock is sleek, stylish and quiet vs. traditional glass locks.

100% made in Italy; designed for double action glass doors, the M-Lock Go is an ideal Passage, Privacy or Lock Set for glass doors.

The M-Lock Go.

Specifically for Double Action Doors that swing in **two** directions. Its adjustable striker captures the magnetic latch, quickly, quietly & securely, latching the door each time.

The BGG M-Lock Go has been tested to 500,000 cycles. The M-Lock Go is ideal for all Glass Doors from 8 to 12.76mm thick. Supplied with a 2 year manufacturer's guarantee.

Quick and easy installation due to standard glass cutting specifications. CNC'ed to exacting standards in Italy by GFS, the M-Lock Go is available in multiple finishes and is available as a complete kit (with lever set) or body only.

To operate, simply pull the lever down and open the door, to close, push the door to the closed position and the magnetic strike takes over. It is self-engaging.

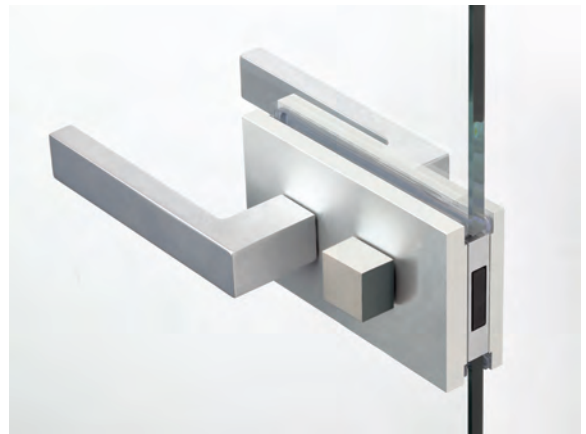
Based on your operational requirements there are 3 versions of the BGG M-Lock Go.

1. Passage - This unit comes with the body and striker, with or without a lever set. Ideal for standard glass passage doors.

2. Privacy - This unit comes with the body, a privacy snib & emergency release and striker, with or without a lever set. Ideal for bathroom type glass doors.

3. Key Lock Set - This unit comes with the body, key cylinder on both sides and striker, with or without a lever set. Ideal for any glass door that needs to be securely locked.

Stylish, Architecturally
Designed Magnetic Lock
/ Latch for Double Action
Swinging Glass Doors.



BGG | M-Lock Go Order Codes - Used on Double Action Glass Doors Only

Passage Set With handles		Privacy Set With handles		Lock Set With handles	
BGG602SN	Satin Nickel	BGG402SN	Satin Nickel	BGG502SN	Satin Nickel
BGG602CR	Polished Chrome	BGG402CR	Polished Chrome	BGG502CR	Polished Chrome
BGG602BL	Matt Black	BGG402BL	Matt Black	BGG502BL	Matt Black

Options:

Glass Adjustable Striker kit - BGR(SS, PS, BL) Includes patch plate for second glass leaf and adjustable striker

To order kits without a lever set; add "X" at end of code i.e. BGG502SSX - (Lock Set: Stainless Steel Look, no lever set)

See Page 22 for configuration options.