

BELLEVUE
ARCHITECTURAL

New for 2019

- NEW: M-Lock for Swinging Glass Doors
- NEW: T-Lock for Sliding Glass Doors
- NEW: Hydra Pro Hydraulic Patch Plate

GFS GLASS DOOR PRODUCTS

Architecturally designed products for glass swing & sliding doors
100% made in Italy



About GFS & Bellevue

About GFS of Italy

The most authentic expression of hardware made in Italy. Quality and design are the main strengths of GFS solutions, who offer a wide range of products capable of meeting every need.

GFS is concerned with the design and manufacturing of innovative solutions for glass panels. Their fixing systems as well as their patented accessories are all made in Italy and boast high functionality and aesthetic values anticipating market requirements.

GFS products manage to satisfy the ideas and projects of architects and designers. Additionally, they are reliable and suitable for glaziers, door and window manufacturers, installers, contractors, interior designers and technicians. Their incessant effort is that of always aiming at technological innovation, and do so by developing a unique and diversified production conceived in their own Research & Development department. Every single item is designed and manufactured to stand out in interior design and glass architectures.

Since 2001 GFS solutions have originated in Schio, Vicenza, Italy and, thanks to an expert and deeply-rooted commercial network, they are the means through which the GFS brand is exported throughout the world.

About Bellevue Architectural

For over 30 years, the name Bellevue Architectural (formerly Bellevue Imports) has always been synonymous with providing the latest in designer fittings from the European marketplace that create visual attraction and differentiation without compromising quality, design or affordability. Bellevue's products have been used all over Australia and New Zealand from small projects through to large (project pricing available). Bellevue's products are designed and manufactured by people from within the design industry, people who truly believe that design and quality is an integral part of creating something special and unique.

Today Bellevue is proud to present the new GFS range of glass products. 100% Made in Italy, they are used in a variety of applications. The GFS range of products are ideal for glass doors that need to swing or slide, GFS products provide a clean architectural look and feel.



Product Index

General Information

About GFS, In Situ Glass Products

Pg. 2 - 11

Hydra Pro | Self-Closing Glass Door Pivot - (no floor spring required)

BGH | Self closing Hydraulic Patch plate (suitable for glass doors up to 90 kg)

Pg. 12 - 13

M-Lock Range | Architectural Swinging Glass Door Locks

BGS | M-Lock STOP Self-Engaging Magnetic Lock for Single Action Swinging Glass doors

Pg. 14 - 15

- Passage Version - Single Action door with door handles only
- Privacy Version - Single Action Door with Door Handle and privacy Snib & eRelease
- Key Lock Version - Single Action Door With Door Handle and Double European Keyed Cylinder

BGG | M-Lock GO Self-Engaging Magnetic Lock for Double Action Swinging Glass doors

Pg. 16 - 17

- Passage Version - Double Action door with door handles only
- Privacy Version - Double Action Door with Door Handle and privacy Snib & eRelease
- Key Lock Version - Double Action Door With Door Handle and Double European Keyed Cylinder

BGR | Self-Engaging Magnetic Receiver for use on Double glass doors

Pg. 16 - 17

Configuration options for BGS M-Lock Stop and BGG M-Lock Go

Pg. 22

T-Lock Pro Range | Self-Engaging Sliding Glass Door Locks

BGT | Self-Engaging Flush Magnetic Sliding Door Lock

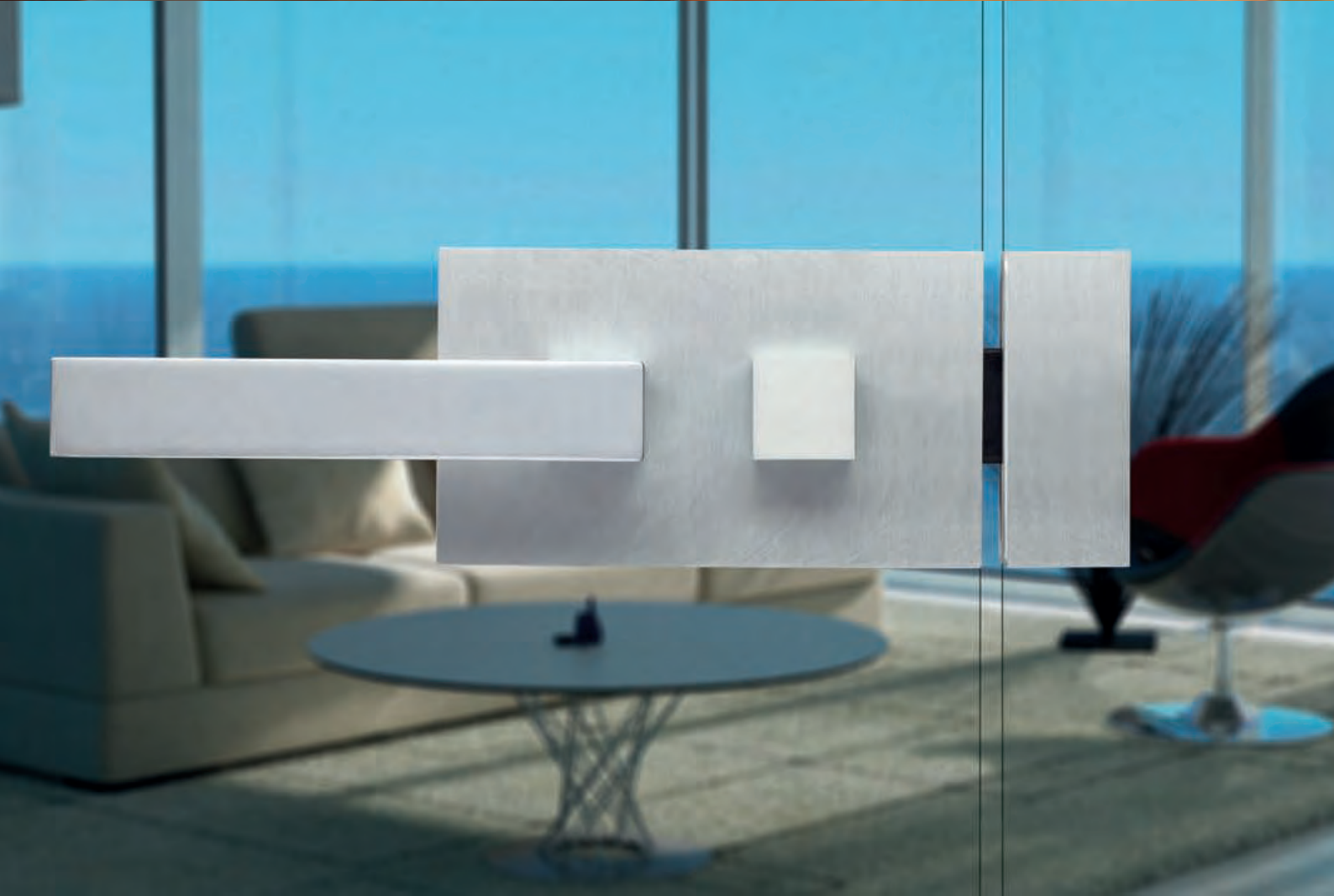
Pg. 18 - 19

- Passage Version - Glass Sliding Door latch with quick release
- Key Lock Version - Glass Sliding Door with external European Keyed Cylinder
- Receiver Kit - Glass Strike receiver kit for use in double glass sliding doors

Glass Door Accessories

- Finger Pull | Glass Sliding Door Finger Pull
- Flush Pull | Glass Flush Pull Range
- Adjustable 3D Glass Standoff

Pg. 20 - 21



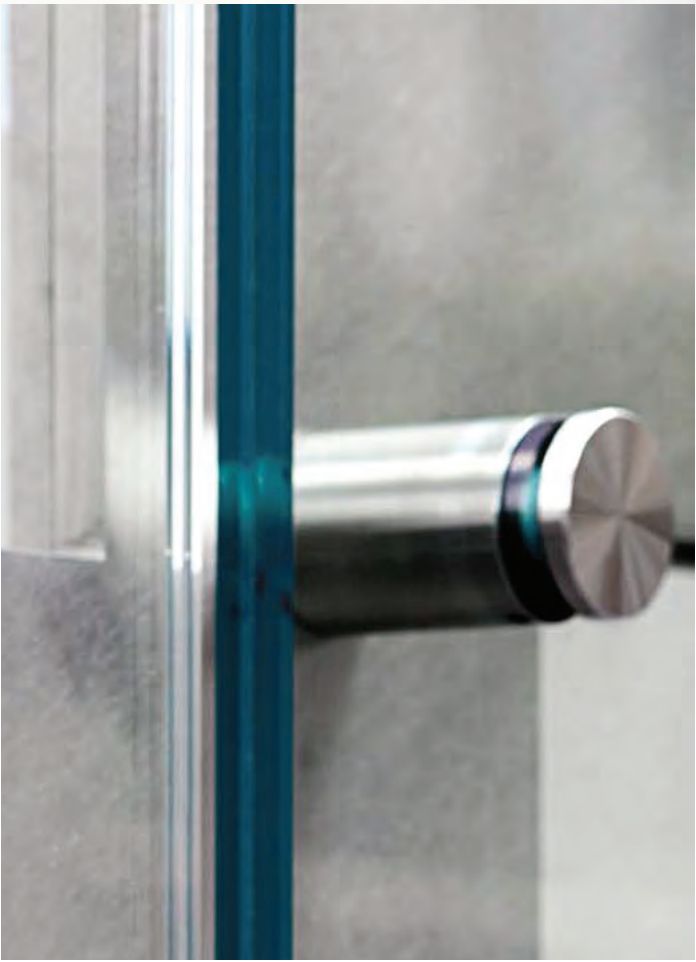










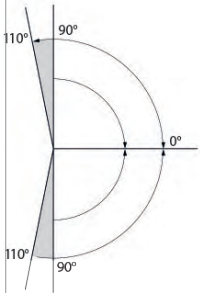
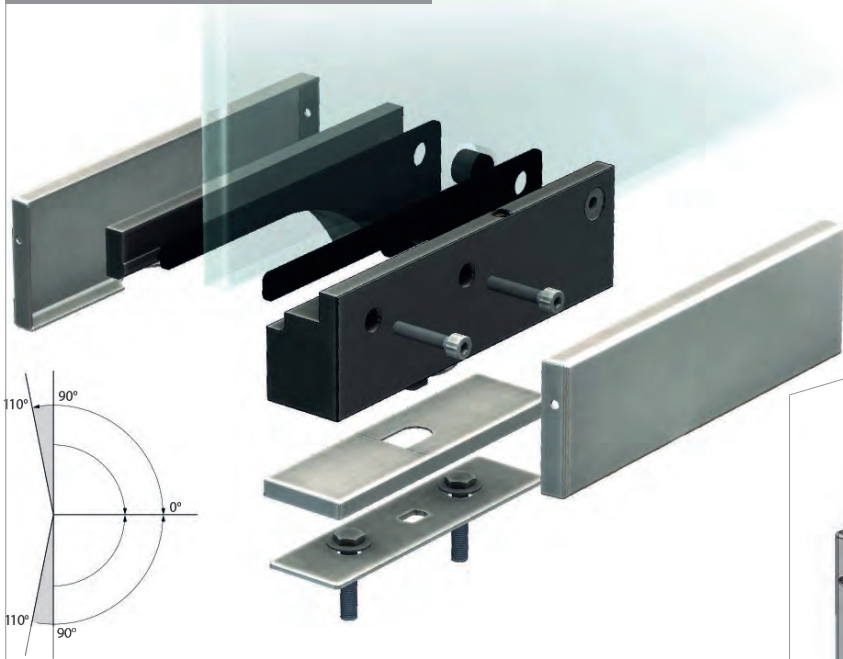




BGH | Hydra Pro Self-Closing Glass Patch Plate

Hydraulic Pivot for Glass Doors: Max 100Kg

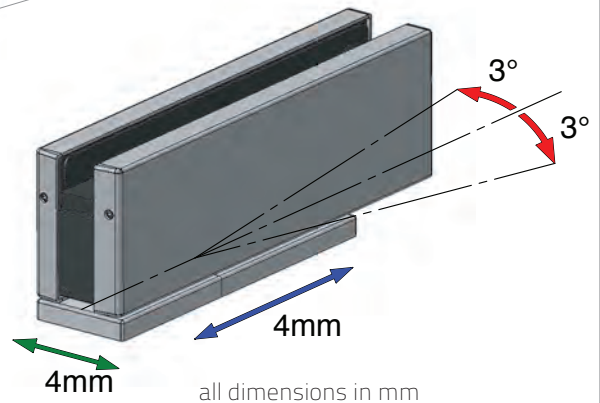
Exploded View



Hydra Pro Quick Facts

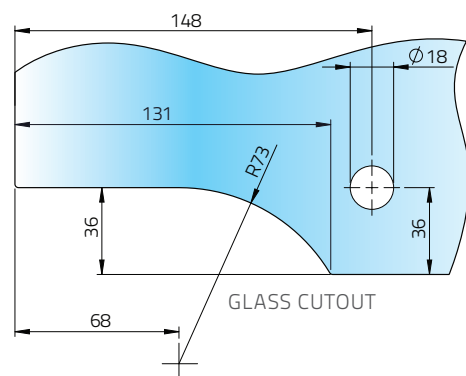
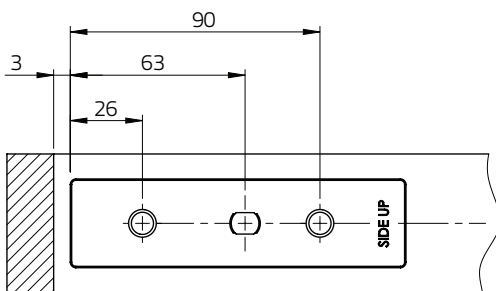
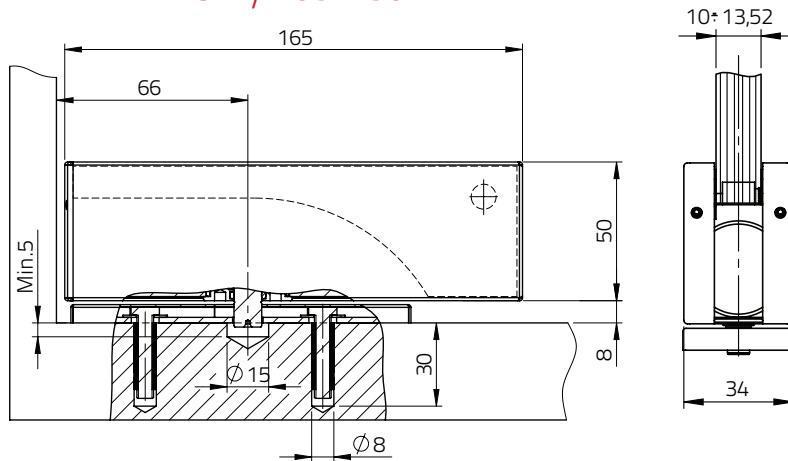
- 100% Made in Italy
- Tested to 500,000 cycles
- Available in multiple finishes
- 2 year manufactures guarantee
- Adjustable while the door is up
- Suitable for wet and dry locations
- Suitable for internal & external locations
- Suitable for high frequency opening doors
- Suitable for residential & commercial locations

Fully Adjustable



Dimensional Information

**Incredibly small size
Only 165 x 50mm**



all dimensions in mm

BGH | Hydra Pro Self-Closing Glass Patch Plate Hydraulic Pivot for Glass Doors: Max 100Kg

The smallest fully adjustable Hydraulic Patch plate on the market



The BGH Hydra Pro by GFS of Italy is an adjustable, self-closing, hydraulic patch plate for glass pivot doors. 100% made in Italy

Hydra Pro has been specifically designed to allow a single, or double action pivot glass door to open and **self-close; without the need of a floor spring**.

The BGH Hydra Pro hydraulic mechanism is completely enclosed within the patch plate; making the Hydra Pro sleek, clean and more importantly; easy to install, as it does not need to be rebated into the floor as a traditional floor spring would.

Made 100% in Italy by GFS, the Hydra Pro is totally reliable, and tested to 500,000 cycles; and ideal for glass doors that weigh up to 100kg.

The BGH Hydra Pro comes with multiple speed adjustments; including backcheck and latching speed adjustment for smooth and precise door closure.

Suitable for commercial and residential environments; wet or dry areas, the Hydra Pro also comes with a hold open at $\pm 90^\circ$.

Stocked locally in Melbourne and available with, or without the top pivot, the BGH Hydra Pro comes as a complete kit in multiple finishes.

Cost effective and highly functional, it is a real and effective alternative to traditional and unsightly floor springs.

Guaranteed for 500,000 cycles, easy to install; with no special glass cutting required the BGH GFS Hydra Pro is hard to overlook.

No Need for Large Unsightly Expensive Floor Springs.

Incredibly small size
Only 165 x 50mm



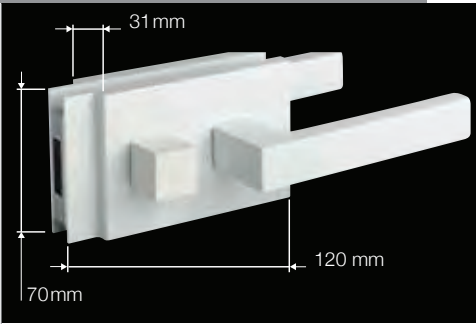
BGH Hydra Pro Key Data	
Glass Thickness	8-13.52mm Thick
Max Door Weight	100 Kg
Max Door Width	900mm
Hold Open	+90° -90°
Back Check	Yes
Adjustable Floor Plate	+/- 4mm
Angular Adjustable Floor Plate	+/- 3 degree
Speed Adjustable	Yes
Tested	500,000 Cycles
Usage	Indoor EN2 Strength

Hydra Pro Order Codes	
BGH7810BSS	Hydraulic Bottom Patch Plate Kit only - Satin Stainless
BGH7812BPS	Hydraulic Bottom Patch Plate Kit only - Polished Stainless
BGH7620BBL	Hydraulic Bottom Patch Plate Kit only - Black
BGH7810KSS	Hydraulic Bottom & Top Kit - Satin Stainless
BGH7812KPS	Hydraulic Bottom & Top Kit - Polished Stainless
BGH7620KBL	Hydraulic Bottom & Top Kit - Black
Kit includes: Bottom - patch plate, floor plate, bottom pivot, glass template diagram Top - patch plate, Top pivot, glass template diagram	

BGS | M-Lock Stop Technical Data

Magnetic Lock kit for Single Action Glass Doors

Comparative View



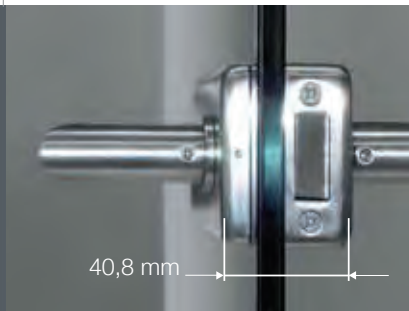
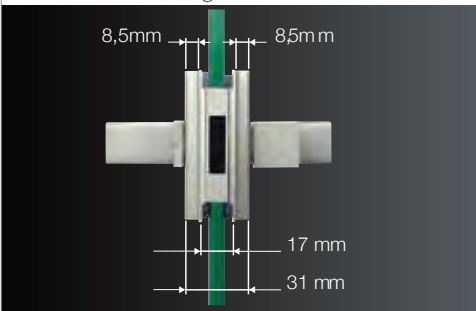
GFS Magnetic



Traditional Mechanical

EXTREMELY SMALL DIMENSION.

M-Lock has an extremely small overall dimensional footprint (lock and keeper) thanks to the fact it uses a magnetic lock in its construction. Magnetic locks don't need the large amount of space that traditional mechanical locks require to operate.



TRADITIONAL AND MAGNETIC LOCK IN COMPARISON.

There is a noticeable difference in size and design.

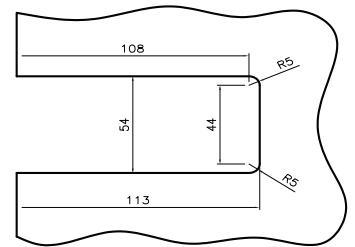
M-Lock Stop Adjustable Striker Glass to Timber



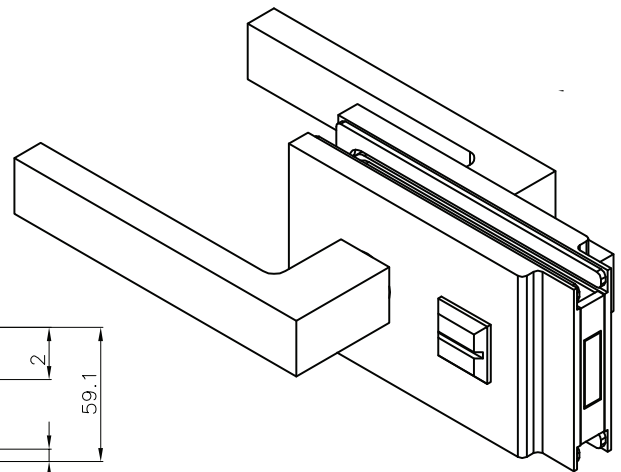
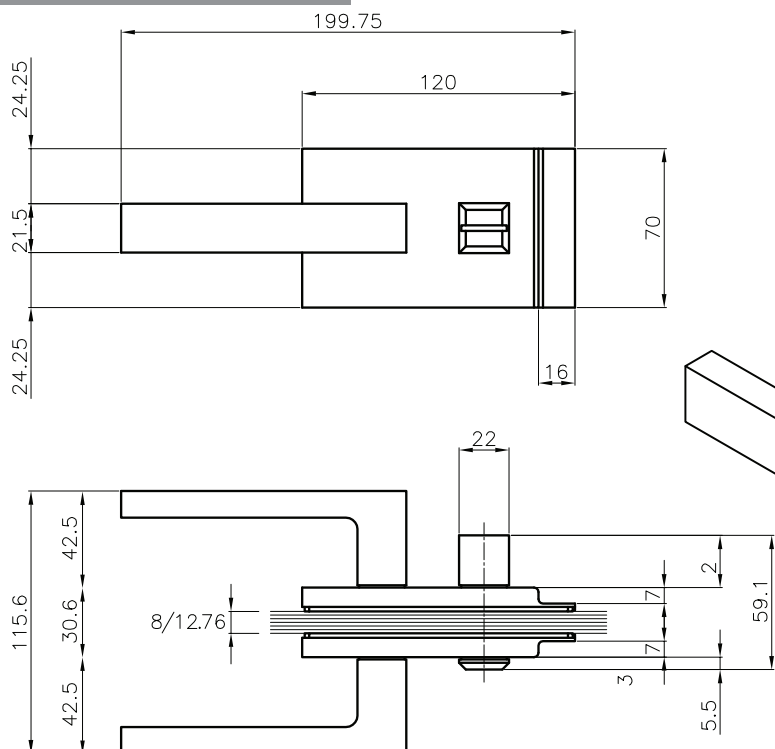
M-Lock Stop Quick Facts

- 100% Made in Italy
- Tested to 500,000 cycles
- Available in multiple finishes
- Adjustable while the door is up
- Glass Thickness: 8 to 12.76mm
- 2 year manufacturer's guarantee
- Suitable for wet and dry locations
- Designed for single action swing doors
- Suitable for internal & external locations
- Suitable for high frequency opening doors
- Suitable for residential & commercial locations

M-Lock Stop Glass Cut-out



Dimensional Information



all dimensions in mm

BGS | M-Lock Stop Functional Data

Magnetic Lock kit for Single Action Glass Doors

Architecturally Stylish Glass Door Passage, Privacy and Lock Sets



The M-Lock stop glass lock/latch from GFS of Italy is revolutionary in design and only 31mm thick. Incorporating a magnetic lock/ latch at its core, the M-Lock is sleek, stylish and quiet vs. traditional glass locks.

100% made in Italy; designed for single action glass doors, the M-Lock stop is an ideal Passage, Privacy or Lock Set for glass doors.

The M-Lock Stop.

Specifically for Single Action Doors that swing in one direction only. Its adjustable striker captures the magnetic latch quickly, quietly & securely, latching the door each time.

The BGS M-Lock Stop has been tested to 500,000 cycles. The M-Lock stop is ideal for all Glass Doors from 8 to 12.76mm thick. Supplied with a 2 year manufacturer's guarantee.

Quick and easy installation due to standard glass cutting specifications. CNC'ed to exacting standards in Italy by GFS, the M-Lock Stop is available in multiple finishes and is available as a complete kit (with lever set) or body only.

To operate, simply pull the lever down and open the door, to close, push the door to the closed position and the magnetic striker takes over. It is self-engaging.

Based on your operational requirements there are 3 versions of the BGS M-Lock Stop:

1. **Passage** - This unit comes with the body and striker, with or without a lever set. Ideal for standard glass passage doors.
2. **Privacy** - This unit comes with the body, a privacy snib & emergency release and striker, with or without a lever set. Ideal for bathroom type glass doors.
3. **Key Lock Set** - This unit comes with the body, double European keyed cylinder and striker, with or without a lever set. Ideal for any glass door that needs to be securely locked.

Stylish, Achitecturally Designed Magentic Lock / Latch for Single Action Swinging Glass Doors.



BGS | M-Lock Stop Order Codes | Used on Single Action Glass Doors Only

Passage Set With handles		Privacy Set With handles		Lock Set With handles	
BGS302SN	Satin Nickel	BGS102SN	Satin Nickel	BGS202SN	Satin Nickel
BGS302CR	Polished Chrome	BGS102CR	Polished Chrome	BGS202CR	Polished Chrome
BGS302BL	Matt Black	BGS102BL	Matt Black	BGS202BL	Matt Black

Options:

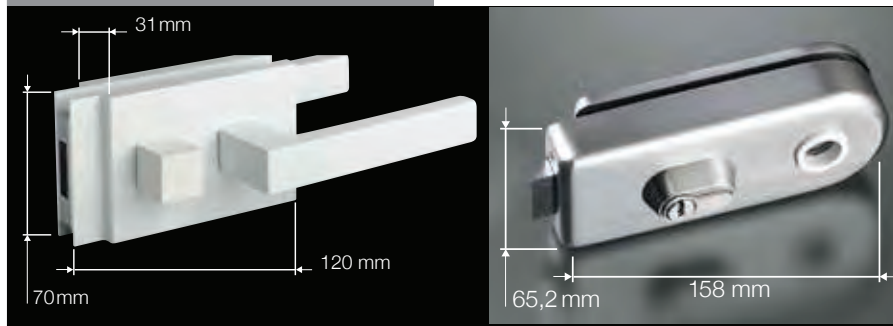
To order kits without a lever set; add "X" at end of code i.e. BGS202SSX - (Lock Set: Stainless Steel Look, no lever set)

See Page 22 for configuration options.

BGG | M-Lock Go Technical Data

Magnetic Lock kit for Double Action Glass Doors

Comparative View

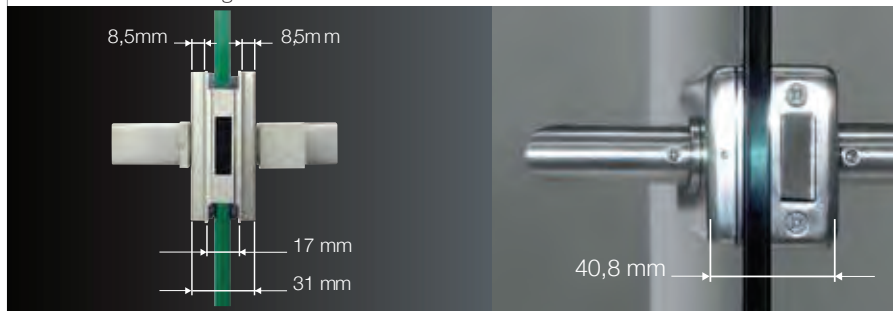


GFS Magnetic

Traditional Mechanical

EXTREMELY SMALL DIMENSION.

M-Lock has an extremely small overall dimensional footprint (lock and keeper) thanks to the fact it uses a magnetic lock in its construction. Magnetic locks don't need the large amount of space that traditional mechanical locks require to operate.



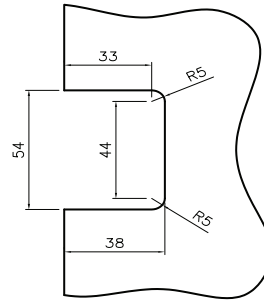
TRADITIONAL AND MAGNETIC LOCK IN COMPARISON.

There is a noticeable difference in size and design.

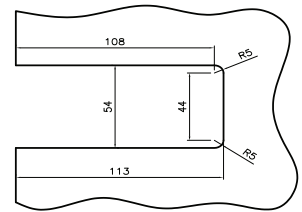
M-Lock Stop Adjustable Striker Glass to Timber



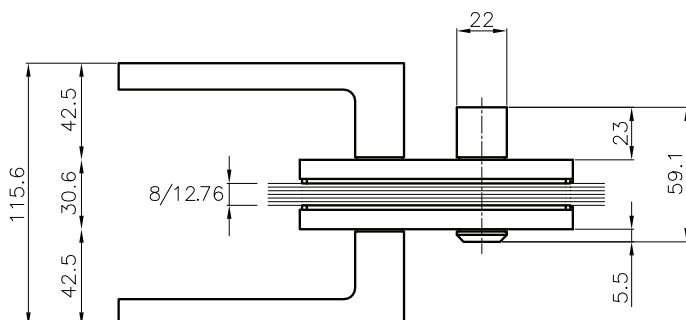
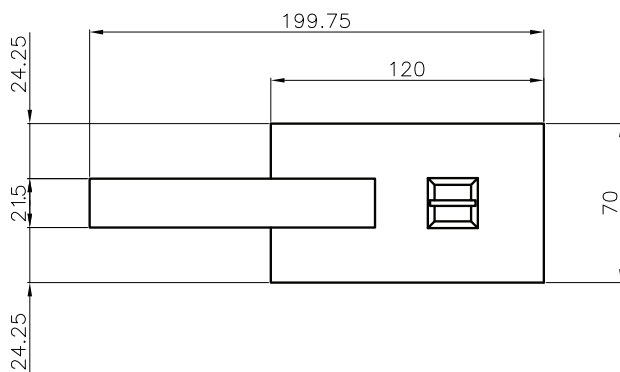
M-Lock Stop Adjustable Striker Glass to Glass



M-Lock Stop Glass Cut-out



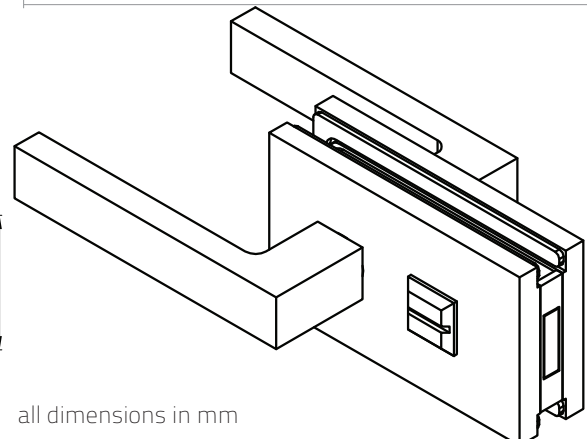
Dimensional Information



all dimensions in mm

M-Lock Go Quick Facts

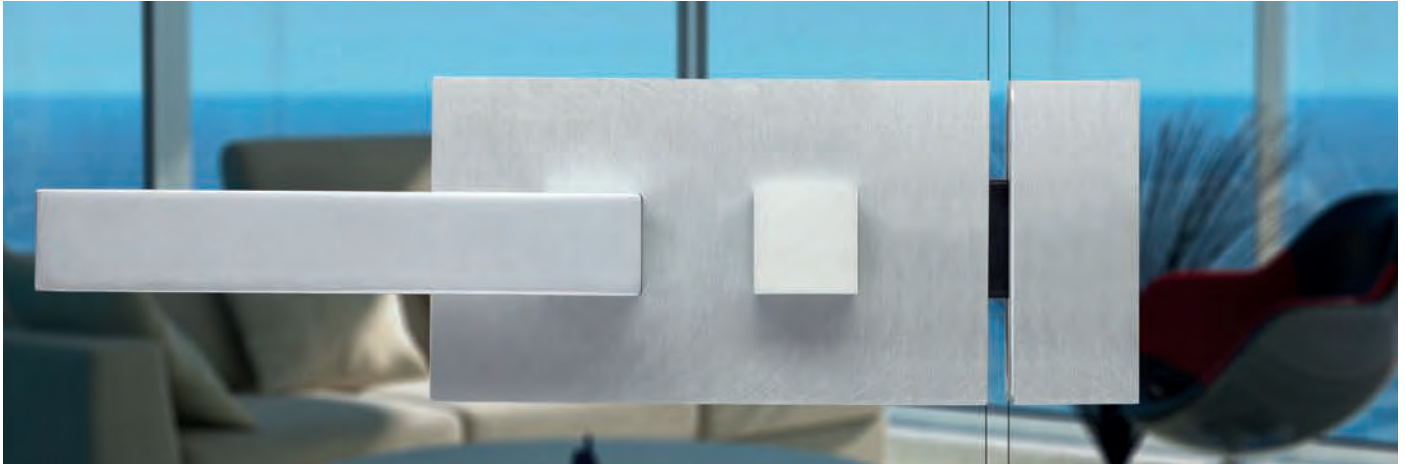
- 100% Made in Italy
- Tested to 500,000 cycles
- Available in multiple finishes
- Adjustable while the door is up
- Glass Thickness: 8 to 12.76mm
- 2 year manufacturer's guarantee
- Suitable for wet and dry locations
- Designed for double action swing doors
- Suitable for internal & external locations
- Suitable for high frequency opening doors
- Suitable for residential & commercial locations



BGG | M-Lock Go Functional Data

Magnetic Lock kit for Double Action Glass Doors

Architecturally Stylish Glass Door Passage, Privacy and Lock Sets



The M-Lock Go glass lock/latch from GFS of Italy is revolutionary in design and only 31mm thick. Incorporating a magnetic lock/latch at its core, the M-Lock is sleek, stylish and quiet vs. traditional glass locks.

100% made in Italy; designed for double action glass doors, the M-Lock Go is an ideal Passage, Privacy or Lock Set for glass doors.

The M-Lock Go.

Specifically for Double Action Doors that swing in **two** directions. Its adjustable striker captures the magnetic latch, quickly, quietly & securely, latching the door each time.

The BGG M-Lock Go has been tested to 500,000 cycles. The M-Lock Go is ideal for all Glass Doors from 8 to 12.76mm thick. Supplied with a 2 year manufacturer's guarantee.

Quick and easy installation due to standard glass cutting specifications. CNC'ed to exacting standards in Italy by GFS, the M-Lock Go is available in multiple finishes and is available as a complete kit (with lever set) or body only.

To operate, simply pull the lever down and open the door, to close, push the door to the closed position and the magnetic strike takes over. It is self-engaging.

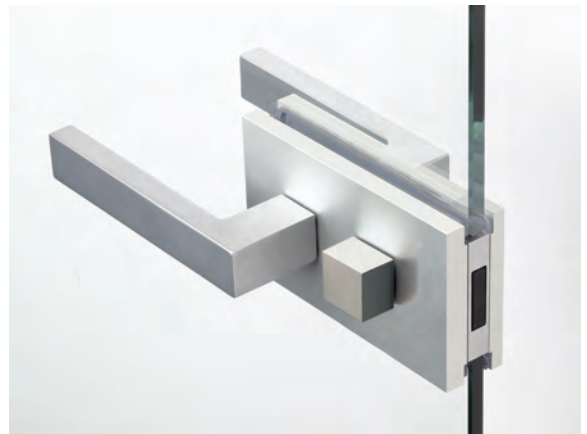
Based on your operational requirements there are 3 versions of the BGG M-Lock Go.

1. Passage - This unit comes with the body and striker, with or without a lever set. Ideal for standard glass passage doors.

2. Privacy - This unit comes with the body, a privacy snib & emergency release and striker, with or without a lever set. Ideal for bathroom type glass doors.

3. Key Lock Set - This unit comes with the body, key cylinder on both sides and striker, with or without a lever set. Ideal for any glass door that needs to be securely locked.

Stylish, Architecturally
Designed Magnetic Lock
/ Latch for Double Action
Swinging Glass Doors.



BGG | M-Lock Go Order Codes - Used on Double Action Glass Doors Only

Passage Set With handles		Privacy Set With handles		Lock Set With handles	
BGG602SN	Satin Nickel	BGG402SN	Satin Nickel	BGG502SN	Satin Nickel
BGG602CR	Polished Chrome	BGG402CR	Polished Chrome	BGG502CR	Polished Chrome
BGG602BL	Matt Black	BGG402BL	Matt Black	BGG502BL	Matt Black

Options:

Glass Adjustable Striker kit - BGR(SS, PS, BL) Includes patch plate for second glass leaf and adjustable striker

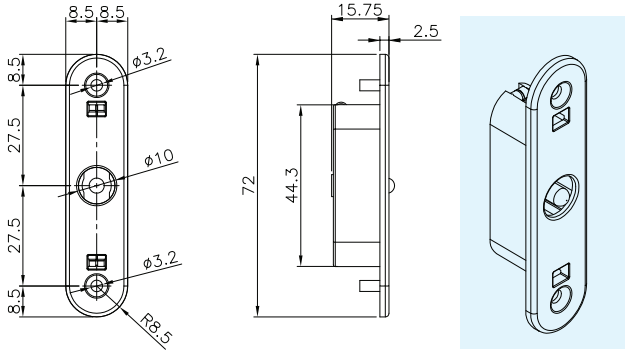
To order kits without a lever set; add "X" at end of code i.e. BGG502SSX - (Lock Set: Stainless Steel Look, no lever set)

See Page 22 for configuration options.

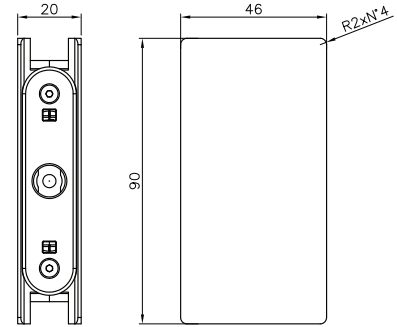
BGT | T-Lock Pro Technical Data

Self-Regulating Glass Sliding Door Lock

T-Lock Pro Striker



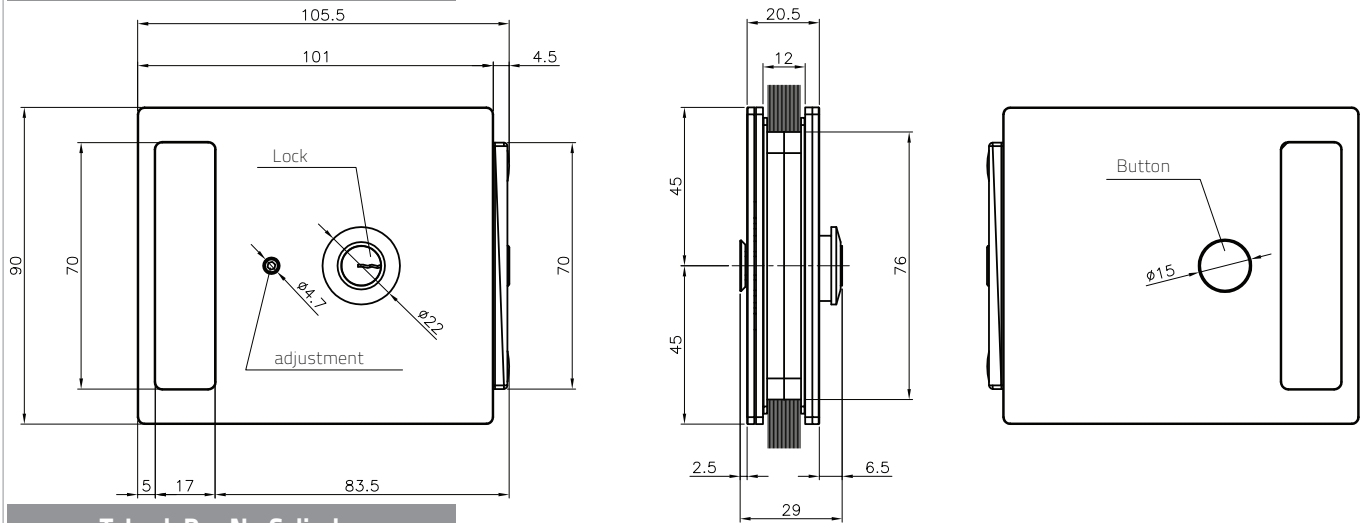
T-Lock Pro Glass Striker Kit



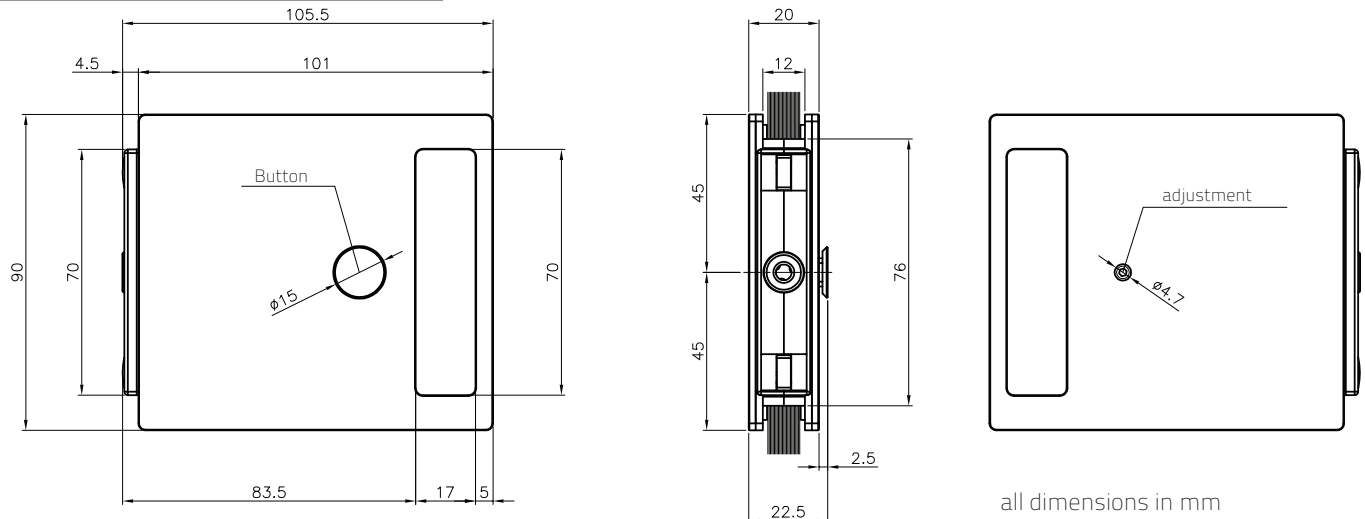
T-Lock Pro Quick Facts

- 100% Made in Italy
- Self regulating strike
- Tested to 500,000 cycles
- Micro-movement release
- Internal anti-panic function
- Available in Multiple Finishes
- Designed for sliding glass doors
- 2 year manufacturer's guarantee
- Suitable for internal & external locations
- Suitable for high frequency opening doors
- Suitable for residential & commercial locations

T-Lock Pro with Cylinder



T-Lock Pro No Cylinder



all dimensions in mm

BGT | T-Lock Pro Functional Data

Self-Regulating Glass Sliding Door Lock

Architecturally Stylish Sliding Glass Door Lock



Internal View



External View (No cylinder)



External View (With cylinder)

The T-Lock Pro sliding glass door lock from GFS of Italy is revolutionary in design & only 20mm thick. Incorporating a self-guiding magnetic lock at its core, it is sleek, stylish and quiet vs. other glass door locks.

Made out of 304 Stainless Steel and 100% made in Italy; they have been designed so the glass door can fully recess into a pocket to provide maximum opening space.

Self-Regulating Locking System

If the glass door moves or wobbles whilst engaging into the closed position, the magnetic self-engaging lock caters for the misalignment. There is no need for multiple closing attempts.

Quick Release Anti-Panic Opening System

Based on its design, the T-Lock Pro has a cut out in its steel face in the shape of a flush pull. By using the flush pull you are able to open and close the door. What's unique about the flush pulls are their ability to move independently of the glass.

Once the door is closed, it's locked... with a micro movement of the flush pull on either side the door automatically unlocks.

Glass on Timber or Glass on Glass

The T-Lock Pro can be used for glass sliding doors closing onto timber jambs or by using the Glass Striker Kit, glass sliding door onto glass.

Lockable from Both Sides

Based on your operational requirements there are 2 versions of the T-Lock Pro:

1. Privacy - Slide the door closed and press the inside button; the door locks from the outside. Using the micro movement function on the inside; the door unlocks and opens. An external emergency release is built into the system.

2. Key Lock Set - Sliding the door closed, then using the key on the outside locks the door from the outside. From the inside, just push the button for door release or use the key on the outside to unlock.



Stylish, Architecturally
Designed Magnetic Lock/
Latch for Sliding Glass Doors.

BGT | T-Lock Pro Order Codes | Used on Sliding Glass Doors

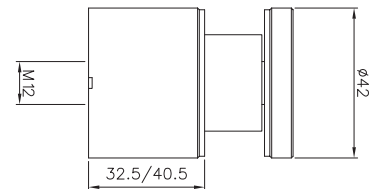
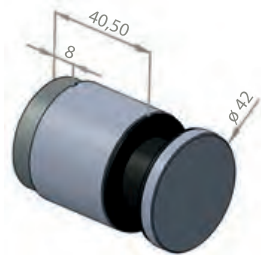
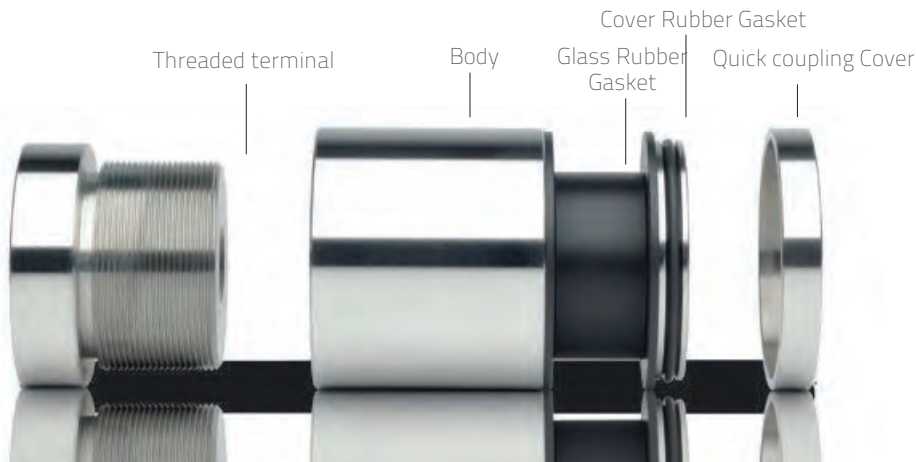
Passage Set Glass to Timber		Lock Set Glass to Timber		Glass Striker Kit Glass to Glass	
BGT3810SS	Satin Stainless Steel	BGT1810SS	Satin Stainless Steel	BGT0810SS	Satin Stainless Steel
BGT3812PS	Polished Stainless Steel	BGT1812PS	Polished Stainless Steel	BGT0812PS	Polished Stainless Steel

BGH | 3D Fully Adjustable Glass Standoff

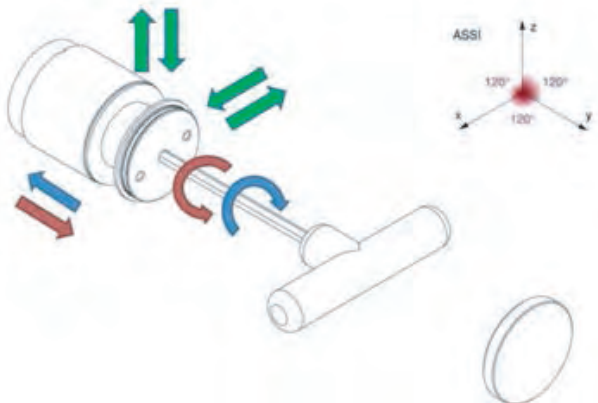
Max Weight: 100Kg



Suitable for Glass 16.76 to 21.52mm Thick



Fully 3D Adjustable



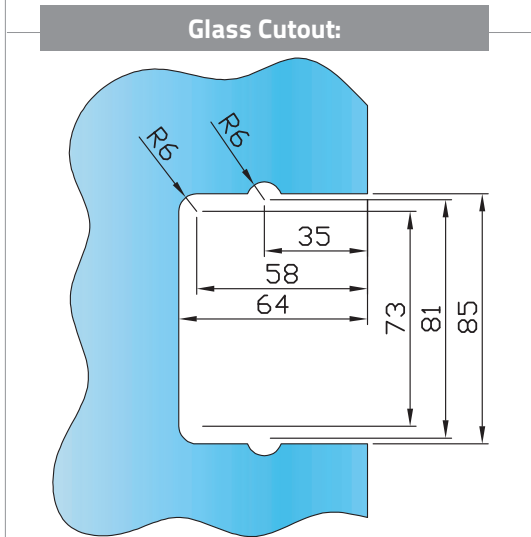
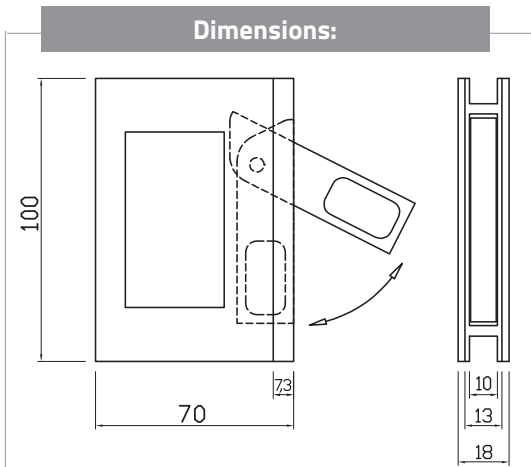
BGH | Suitable for Glass Doors 16.76-21.52mm Thick

BGH40160SS	"Giotto" stand off - outside diameter 50 mm, adjustable length from 40 to 50 mm, eccentric locking collar diameter 21x16mm, flat stud AISI 316 Satin Stainless Steel
BGH40160PS	"Giotto" stand off - outside diameter 50 mm, adjustable length from 40 to 50 mm, eccentric locking collar diameter 21x16mm, flat stud AISI 316 Polished Stainless Steel

BGE | Frameless Glass Sliding Door Pull

Glass Flush Pull with Intergrated Finger Pull

Architecturally Designed For Frameless Glass Pocket Doors 8 -10mm Thick



BGE | Suitable for Glass Doors 8 -10mm Thick

BGE07M2SN Glass Sliding Door Flush/ Finger pull - Satin Nickel

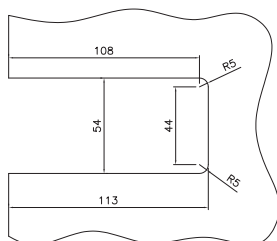
BGE07M2PS Glass Sliding Door Flush/ Finger pull - Polished Chrome

Kit includes: Glass template, Gaskets and Screws

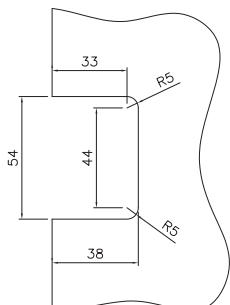


2 x Visible Fixing Screws on 1 side

Configuration Options for M-lock Go and M-Lock Stop



Glass cut-out.



Glass striker cut-out.

	Double Cylinder Version
	Cylinder and Turn Version
	Timber Striker
	Glass Striker
	Privacy mode with snib & emergency release
	Handle only





Bellevue Architectural
954 Glenhuntly Road
Caulfield South Victoria Australia 3162

Ph: 03 9571 5666
www.bellevuearch.com.au
info@bellevuearch.com.au

*Please note that all images in this document are used for illustrative purposes only.



GFS Range: Catalogue AU-10/19