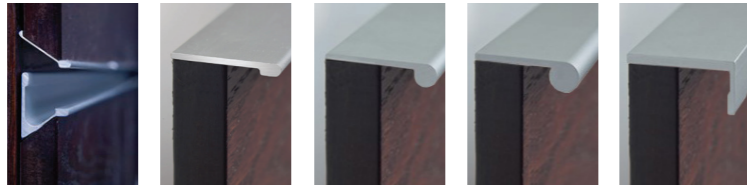


EXTRUSIONS

CONTINUOUS DRAWER PULLS

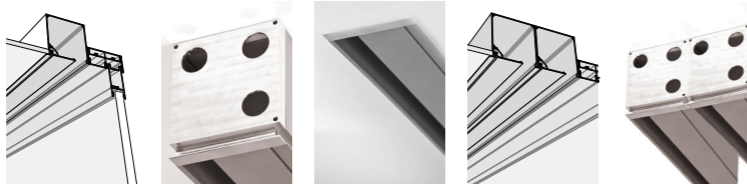
2m & 3m lengths
Raw
For Timber doors & cabinetry



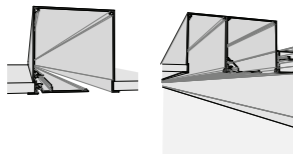
HB 370/ HB 375 HB 380 HB 382 HB 385 HB 387

RECESSED BLIND BOX

3m & 4.2m lengths
For motorized blinds, screens & curtains
Raw



HB 1220 HB 1225 HB 1240 HB 1260 HB 1265



HB 1280 HB 1290

FULL LENGTH EXTRUSION

3m length
Raw
For Timber doors only



HB 1270 HB 1275

CONTINUOUS DRAWER PULLS

HB 370 : 2m or 3m lengths, Aluminium (Raw only)
HB 375 : 2m or 3m lengths, Aluminium (Raw only), bottom-mounted
HB 380 : 2m or 3m lengths, Aluminium (Raw only)
HB 382 : 2m or 3m lengths, Aluminium (Raw only)
HB 385 : 2m or 3m lengths, Aluminium (Raw only)
HB 387 : 2m or 3m lengths, Aluminium (Raw only)

RECESSED BLIND BOX EXTRUSION

HB 1220 : Recessed Single Blind Box Extrusion, Aluminium (Raw only)
HB 1225 : Blind Box Single End Cap Pair (for HB 1220), Aluminium (Raw only)
HB 1240 : Part Blind Box Extrusion, Aluminium (Raw only)
HB 1260 : Recessed Double Outward Hanging Blind Box Extrusion, Aluminium (Raw only)
HB 1265 : Blind Box Double End Cap Pair (for HB 1260), Aluminium (Raw only)
HB 1280 : Double Edged Single Box Extrusion, Aluminium (Raw only)
HB 1290 : Narrow Single Box Extrusion, Aluminium (Raw only)

FULL LENGTH EXTRUSION

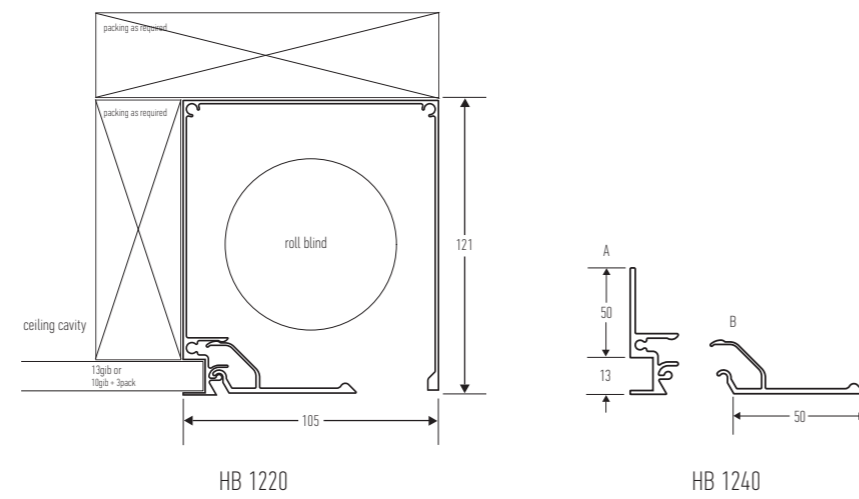
HB 1270 : Full Length 3m Flush Extrusion, 70mm width, can be cut to fit door length, Aluminium (Raw only)
HB 1275 : Full Length 3m Bi-fold & Pivot Extrusion, with additional finger grip, 70mm width, can be cut to fit door length, Aluminium (Raw only)

Blind Boxes in extruded aluminium have been designed by pre-eminent New Zealand architect Daniel Marshall in conjunction Halliday + Baillie by as an effective and unobtrusive option for motorised blinds, screens, and curtains. Now with five variations to suit single and double blinds, curtains, and centre room mounting, these are an easy way to mount window dressings in your project. The range of Continuous Drawer Pulls extrusion provides a clean line in kitchens, wardrobes, or on cupboard doors. These are sold raw in 2m or 3m lengths ready for cutting to size before colouring.

RECESSED BLIND BOX EXTRUSION

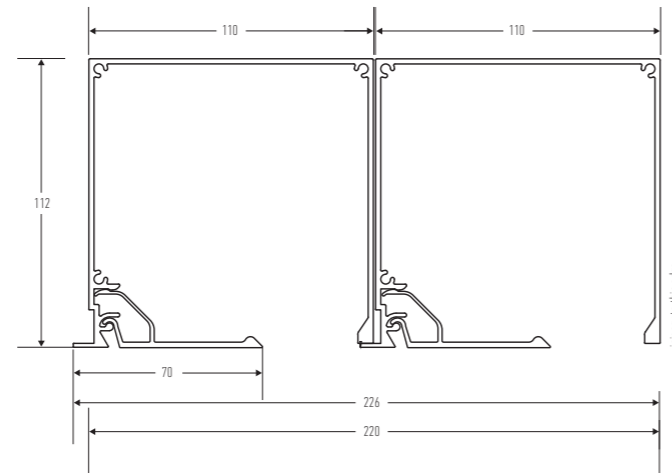
MODEL	DESCRIPTION	FINISH
HB 1220	Recessed Single Blind Box Extrusion	Raw
HB 1225	Blind Box Single End Cap Pair (for HB 1220)	Raw
HB 1227	Blind Box Joiner Set	Acrylic
HB 1240	Part Blind Box Extrusion	Raw
HB 1260	Recessed Double Outward Hanging Blind Box Extrusion	Raw
HB 1265	Blind Box Double End Cap Pair (for HB 1260)	Raw
HB 1280	Double Edged Single Box Extrusion	Raw
HB 1290	Narrow Single Box Extrusion	Raw

- H+B Recessed Blind Box Extrusion can only be ordered in lengths of 3 meters and cut by client.
- Raw denotes mill run Aluminium. Raw extrusion can be power coat finished or anodised by client.
- HB 1227 Joiners come in packs of 3 and can be used to connect longer runs of blind box end on end, or to secure end cap to box extrusion.
- Please note 2 rubber bungs (as below) are provided with each end cap pair. Rubber bungs are inserted into end caps and a hole is made on site to pass wiring through to eliminate any live wires touching the metal.

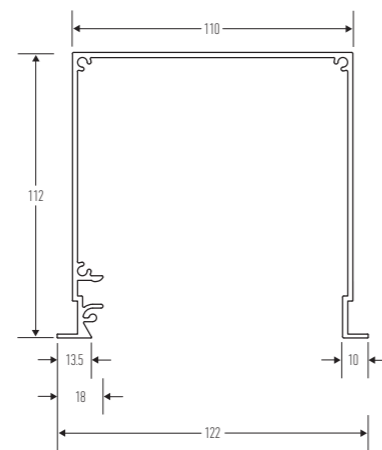


HB 1220

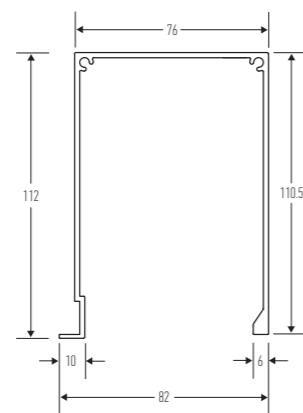
HB 1240



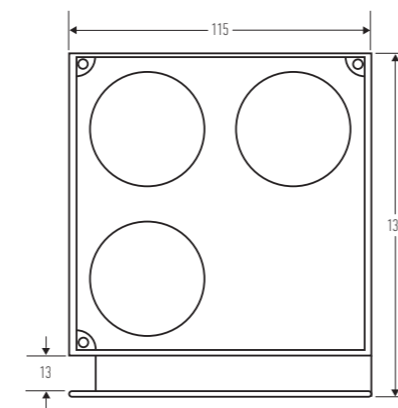
HB 1260



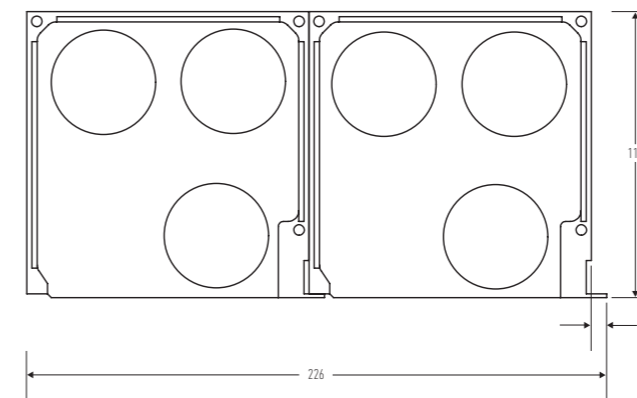
HB 1280



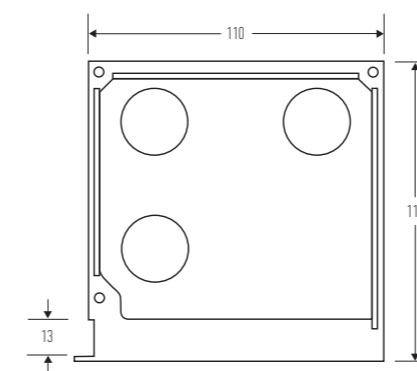
HB 1290



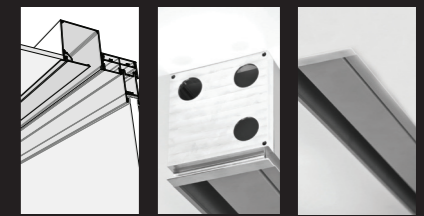
HB 1225



HB 1265



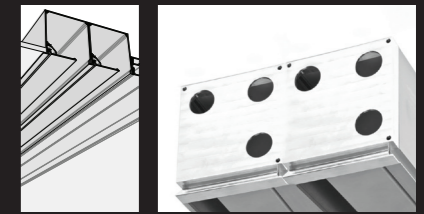
HB 1267



HB 1220

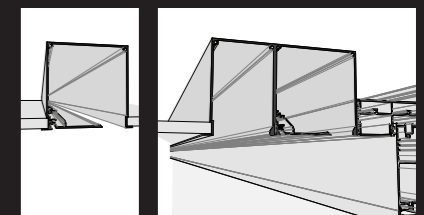
HB 1225

HB 1240



HB 1260

HB 1265



HB 1280

HB 1290



Used to separate wiring from touching metal case



Rubber plug for end cap

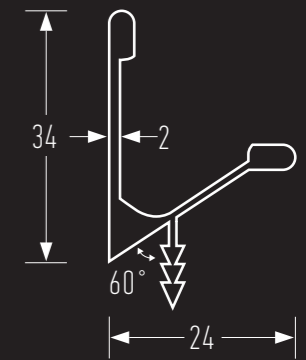


HB 1227

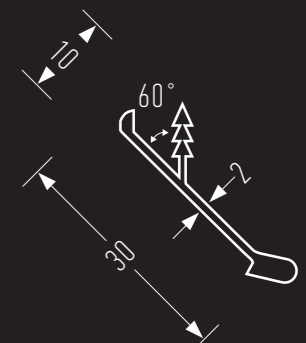
CONTINUOUS DRAWER PULLS

- H+B Continuous Drawer Pulls can be ordered in lengths of 1, 2 or 3 meters in New Zealand, 3m lengths only in Australia. Please check lengths available in other regions.
- Raw extrusion can be power coat finished or anodised by client.

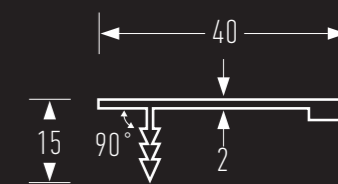
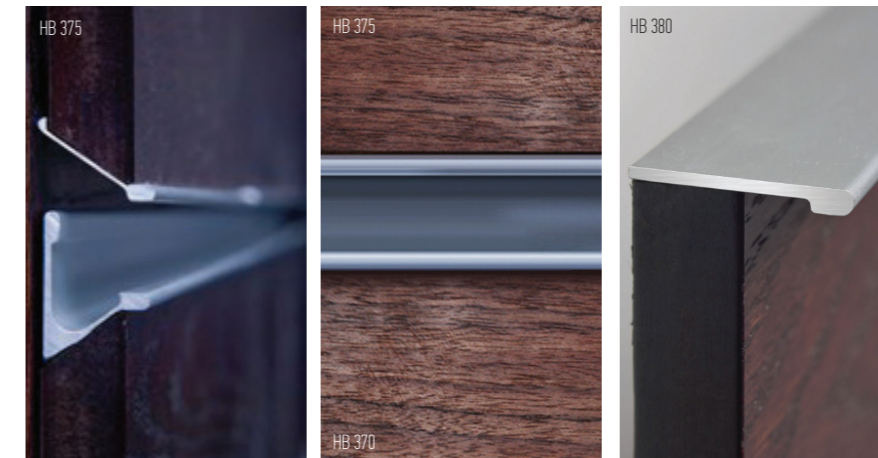
MODEL	DESCRIPTION	FINISH
HB 370	1m, 2m or 3m lengths, Aluminium	Raw
HB 375	1m, 2m or 3m lengths, Aluminium, bottom-mounted	Raw
HB 380	1m, 2m or 3m lengths, Aluminium	Raw
HB 382	1m, 2m or 3m lengths, Aluminium	Raw
HB 385	1m, 2m or 3m lengths, Aluminium	Raw
HB 387	1m, 2m or 3m lengths, Aluminium	Raw



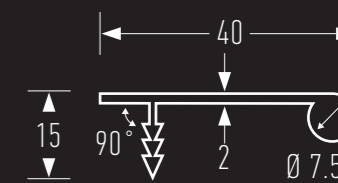
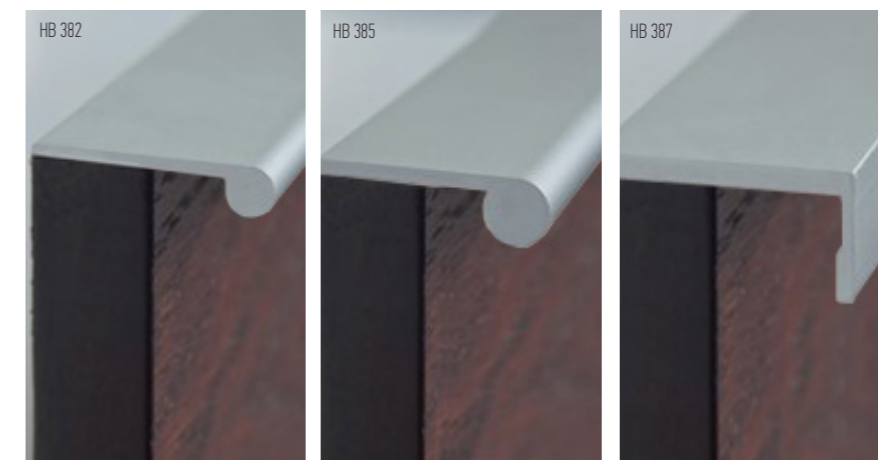
HB 370



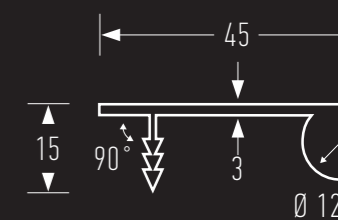
HB 375



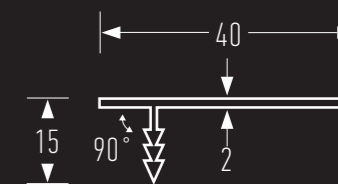
HB 380



HB 382



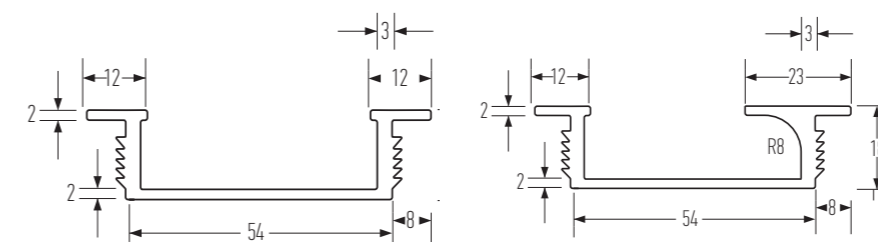
HB 385



HB 387

FULL LENGTH EXTRUSION

MODEL	DESCRIPTION	FINISH
HB 1270	Full Length 3m Flush Extrusion, 70mm width, can be cut to fit door length	Raw
HB 1275	Full Length 3m Bi-fold & Pivot Extrusion, with additional finger grip, 70mm width, can be cut to fit door length	Raw



HB 1270

HB 1275