

## HB 630 SERIES

Sliding Door Grip  
250mm Long Flush Pull Handles  
55mm Backset  
Various Locking Configurations, no End Pull



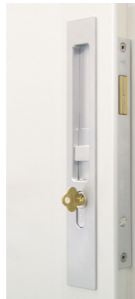
## HB 638 SERIES

Sliding Door Grip  
250mm Long Flush Pull Handles  
55mm Backset  
Various Locking Configurations, with End Pull



## HB 640 SERIES

Sliding Door Grip  
250mm Long Flush Pull Handles  
33mm Backset  
Various Locking Configurations, with End Pull



## HB 630 SERIES KEYED LOCKS 55mm BACKSET

HB 630 : Key/Snib Both Sides  
HB 632 : Key/Snib In, Blank Outside  
HB 633 : Key/Snib In, No Pull Outside

## HB 638 SERIES KEYED LOCKS 55mm BACKSET

HB 636 : Key/Snib In, No Pull Outside + End Pull  
HB 637 : Key/Snib In, Blank Outside + End Pull  
HB 638 : Key/Snib Both Sides + End Pull

## HB 640 SERIES KEYED LOCKS NARROW 33mm BACKSET

HB 640 : Key/Snib Both Sides  
HB 642 : Key/Snib Inside, Blank Outside  
HB 643 : Key/Snib Inside, No Pull Outside

# LOCKSETS

Halliday + Baillie flush sliding sets include options for key and snib locking for interior and exterior doors, available in a several configurations. Available with 170mm high, 250mm high, or 310mm high flush pulls, and in all 12 finishes, these sets allow security on locking doors with a consistent look no matter whether passage, snib, or key locks are required.

# HB 630 SERIES KEYED LOCKS 55mm BACKSET

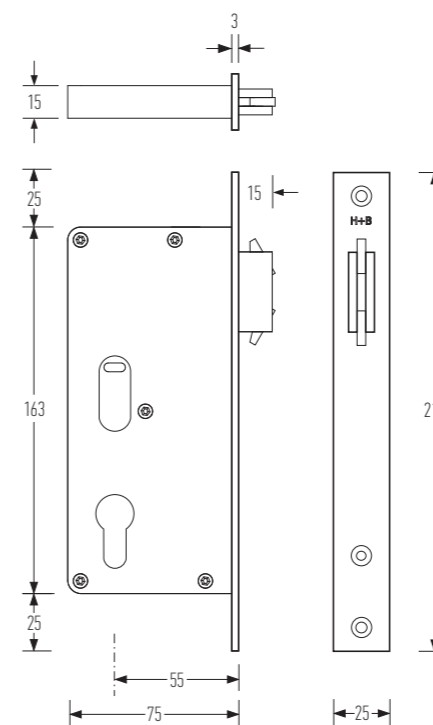
■ Please note that the "HB 630 Series" denotes the type of lock body used with various flush pull configurations. The HB 630 set with snib and key both sides is one possible configuration in the series. In all H+B Sliding Lock Sets the key and snib work independently of each other, where the snib throws the bolt, and the key locks the bolt in place. On models with a key and snib both sides, sliding the snib will only 'latch' the door (similar to a standard door handle), and a key is needed to make the door secure.

MODEL	DESCRIPTION	FINISH
HB 630	Key/Snib Both Sides	All Finishes
HB 632	Key/Snib In, Blank Outside	All Finishes
HB 633	Key/Snib In, No Pull Outside	All Finishes

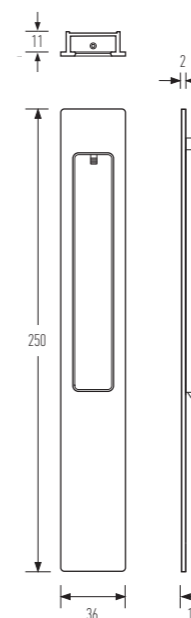
HB CLF 4021	3 Pin ½ Euro Cylinder for 38mm door	SC, others by order
HB CLF 4020	3 Pin DBL Euro Cylinder for 38mm door, keyed both sides	SC, others by order
HB CLF 48 S	3 Pin ½ Euro Cylinder for 45mm door	SC, others by order
HB CLF 48 D	3 Pin DBL Euro Cylinder for 45mm door, keyed both sides	SC, others by order

- DOOR THICKNESS: minimum thickness for all configurations is 38mm.
- Sliding Door Sets are shipped with strike plate, dust box and fixings.
- Rebate kits for both French Door and Bull Nose profiles are also available on request.
- For doors over 55mm (for example most double glazed doors) a 5 pin Euro cylinder can be used.

HB 630



HB 668



HB 630



HB 632



HB 633



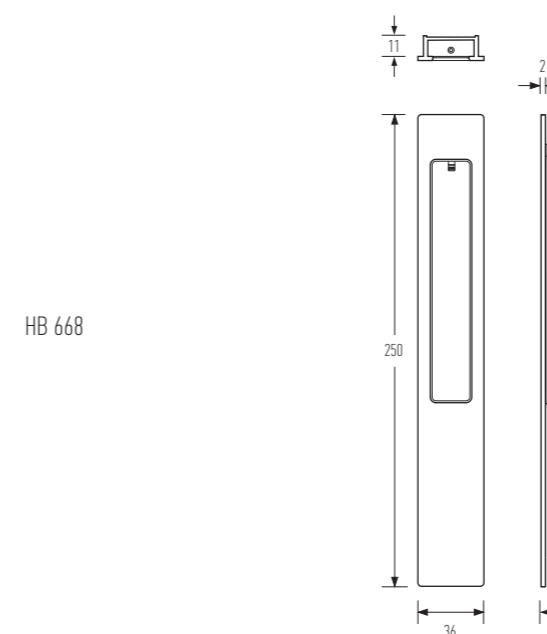
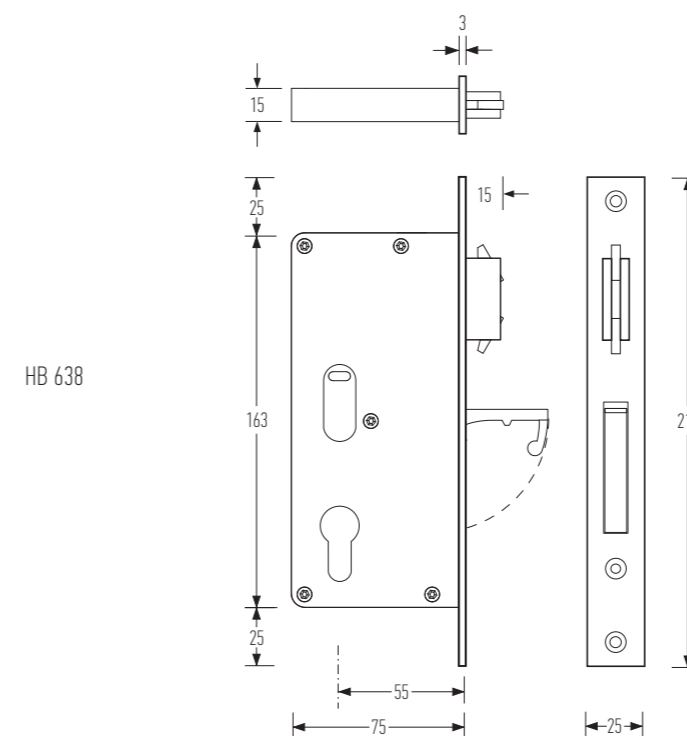
# HB 638 SERIES KEYED LOCKS 55mm BACKSET

■ Please note that the "HB 638 Series" denotes the type of lock body used for various configurations. The HB 638 Set has a snib and key both sides and is one possible configuration in the series. In all H+B Sliding Sets the key and snib work independently of each other, where the snib throws the bolt and the key locks the bolt in place. On models with a key and snib both sides sliding the snib will only 'latch' the door (similar to a standard door handle) and a key is needed to make the door secure.

MODEL	DESCRIPTION	FINISH
HB 636	Key/Snib In, No Pull Outside + End Pull	All Finishes
HB 637	Key/Snib In, Blank Outside + End Pull	All Finishes
HB 638	Key/Snib Both Sides + End Pull	All Finishes

HB CLF 4021	3 Pin ½ Euro Cylinder for 38mm door	SC, others by order
HB CLF 4020	3 Pin DBL Euro Cylinder for 38mm door, keyed both sides	SC, others by order
HB CLF 48 S	3 Pin ½ Euro Cylinder for 45mm door	SC, others by order
HB CLF 48 D	3 Pin DBL Euro Cylinder for 45mm door, keyed both sides	SC, others by order

- DOOR THICKNESS: minimum thickness for all configurations is 38mm.
- Sliding Door Sets are shipped with strike plate, dust box and fixings.
- Rebate kits for both French Door and Bull Nose profiles are also available on request.
- For doors over 55mm (for example most double glazed doors) a 5 pin Euro cylinder can be used.



HB 638



HB 637



HB 636

# HB 640 SERIES KEYED LOCKS NARROW 33mm BACKSET

■ Please note that the "HB 640 Series" denotes the type of lock body used with various flush pull configurations. The HB 640 set with snib and key both sides is one possible configuration in the series. In all H+B Sliding Lock Sets the key and snib work independently of each other, where the snib throws the bolt, and the key locks the bolt in place. On models with a key and snib both sides, sliding the snib will only 'latch' the door (similar to a standard door handle), and a key is needed to make the door secure.

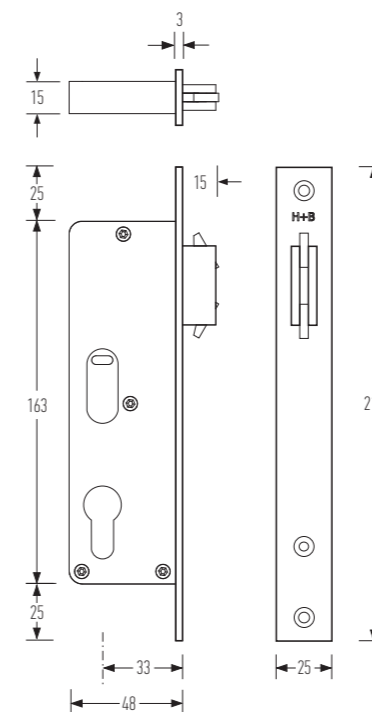
■ Please note that only EBA, EDB, EMB, PB, PC, SC, WHT finishes are available in the Australian market.

MODEL	DESCRIPTION	FINISH
HB 640	Key/Snib Both Sides	All Finishes
HB 642	Key/Snib Inside, Blank Outside	All Finishes
HB 643	Key/Snib Inside, No Pull Outside	All Finishes

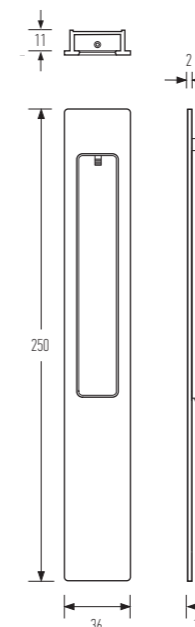
HB CLF 4021	3 Pin ½ Euro Cylinder for 38mm door	SC, others by order
HB CLF 4020	3 Pin DBL Euro Cylinder for 38mm door, keyed both sides	SC, others by order
HB CLF 48 S	3 Pin ½ Euro Cylinder for 45mm door	SC, others by order
HB CLF 48 D	3 Pin DBL Euro Cylinder for 45mm door, keyed both sides	SC, others by order

- DOOR THICKNESS: minimum thickness for all configurations is 38mm.
- Sliding Door Sets are shipped with strike plate, dust box and fixings.
- Rebate kits for both French Door and Bull Nose profiles are also available on request.
- For double glazed doors, or doors over 45mm a 5 pin Euro cylinder can be used.

HB 640



HB 668



HB 640



HB 642



HB 643

