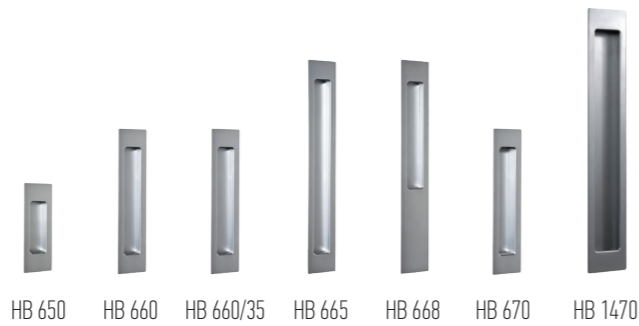


FLUSH PULLS

Sliding grips

Sizes at 105mm, 170mm, 250mm & 310mm

Timber fixing kits required when mounted to timber



EDGE PULLS

"Pop-out" mechanism

Sizes at 170mm & 220mm

Screw fix

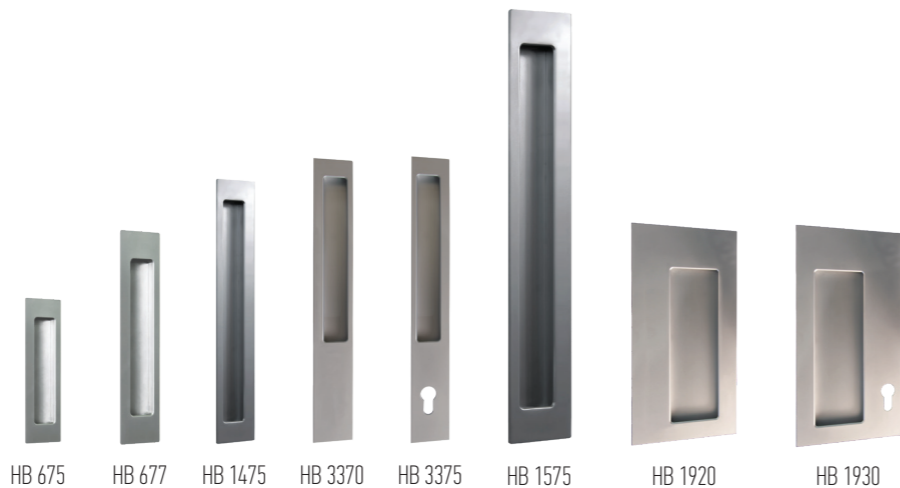


BI-FOLD/PIVOT FLUSH PULLS

Bi-fold/Pivot grip

Sizes at 170mm, 250mm, 310mm, 350mm & 510mm

Timber fixing kits required when mounted to timber



FLUSH D PULLS

Integrated D-Pull grip

Sizes at 170mm & 250mm

Timber fixing kits required when mounted to timber



FLUSH PULLS

HB 650 : Flush Pull, 36mm x 105mm

HB 660 : Flush Pull, 36mm x 170mm

HB 660/35 : Shallower version of the HB 660 Flush Pull for 35-38mm doors

HB 670 : Same dimensions as HB 660 but with an increased recess depth of 15mm

HB 665 : Flush Pull, 36mm x 250mm with full length recess

HB 668 : Flush Pull, 36mm x 250mm with recess to match Flush Pulls on HB 630 & HB 640 sets

HB 604 : Timber Fixing Kit for Flush Pulls

HB 1470 : Large Flush Pull in solid brass, 50mm x 310mm

HB 1410 : Timber Fixing Kit for large Flush Pulls

EDGE PULLS

HB 680 : Button-Activated Edge Pull, 20mm x 170mm

HB 685 : Button-Activated Edge Pull Large, 23mm x 220mm

BI-FOLD/PIVOT FLUSH PULLS

HB 675 : Bi-fold & Pivot Door Pull with additional finger grip, 46mm x 170mm, comes as a handed flush pull for left and right hand

HB 677 : Bi-fold & Pivot Door Pull with additional finger grip, 46mm x 250mm, comes as a handed Flush Pull for left and right hand

HB 604 : Timber Fixing Kit for Flush Pulls

HB 1475 : Large Bi-fold & Pivot Flush Pull in solid brass, 50mm x 310mm

HB 1575 : Extra Large Bi-fold & Pivot Flush Pull in solid brass, 50mm x 510mm

HB 1410 : Timber Fixing Kit for 310mm long Flush Pulls

HB 1510 : Timber Fixing Kit for 510mm long Flush Pulls

RECTANGULAR BI-FOLD/PIVOT FLUSH PULLS

HB 3370 : Extra Long Bi-Fold & Pivot Door Pull, no Key Hole, 46mm x 350mm

HB 3375 : Extra Long Bi-Fold & Pivot Door Pull, with Key Hole, 46mm x 350mm

HB 1920 : Rectangular Bi-Fold & Pivot Door Pull, no Key Hole, 125mm x 250mm

HB 1930 : Rectangular Bi-Fold & Pivot Door Pull, with Key Hole, 125mm x 250mm

HB 1510 : Timber Fixing Kit for 510mm long Flush Pulls

FLUSH D PULLS

HB 678 : Flush D Pull, 50mm x 170mm with integrated pivoting D handle

HB 679 : Flush D Pull, 50mm x 250mm with integrated pivoting D handle

HB 604 : Timber Fixing Kit for Flush Pulls

FLUSH & END PULLS

Our extensive range of Flush Pulls, Bi-fold and Pivot Pulls, and flush D Pulls come in 12 finishes and cover sizes from mini (105mm) to super-size (510mm)! In addition to flush pulls with the standard grip for sliding doors, we offer a range of deeper asymmetric grips pulls for pivot, bi-fold, or hinge doors to allow for a consistent aesthetic across all door types. To complement our Flush Pull range for cavity sliders, we have two sizes of end/edge pulls for easy extraction of sliding doors from cavity pockets.

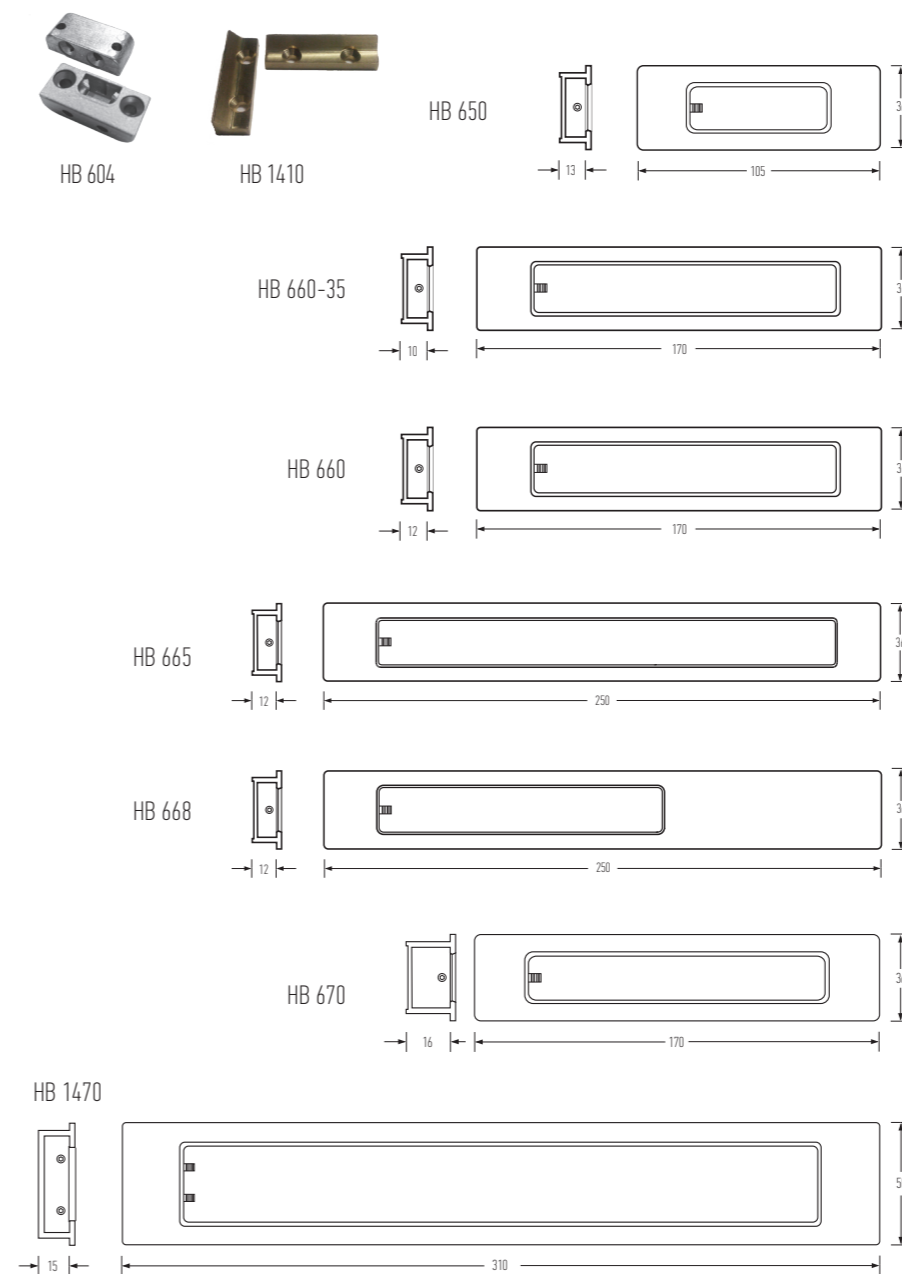


FLUSH PULLS

Designed and manufactured in New Zealand

MODEL	DESCRIPTION	FINISH
HB 650	Flush Pull, 36mm x 105mm	All Finishes
HB 660	Flush Pull, 36mm x 170mm	All Finishes
HB 660/35	Shallower version of the HB 660 Flush Pull for 35-38mm doors	All Finishes
HB 670	Same dimensions as HB 660 but with an increased recess depth of 15mm	All Finishes
HB 665	Flush Pull, 36mm x 250mm with full length recess	All Finishes
HB 668	Flush Pull, 36mm x 250mm with recess to match Flush Pulls on HB 630 & HB 640 sets	All Finishes
HB 604	Timber Fixing Kit for Flush Pulls, 105mm - 250mm	NA
HB 1470	Large Flush Pull in solid brass, 50mm x 310mm	All Finishes
HB 1410	Timber Fixing Kit for Flush Pulls, 310mm	NA

■ All Flush Pulls require the appropriate Timber Fixing Kit for installation in timber doors (HB 604 or HB 1410).



HB 660



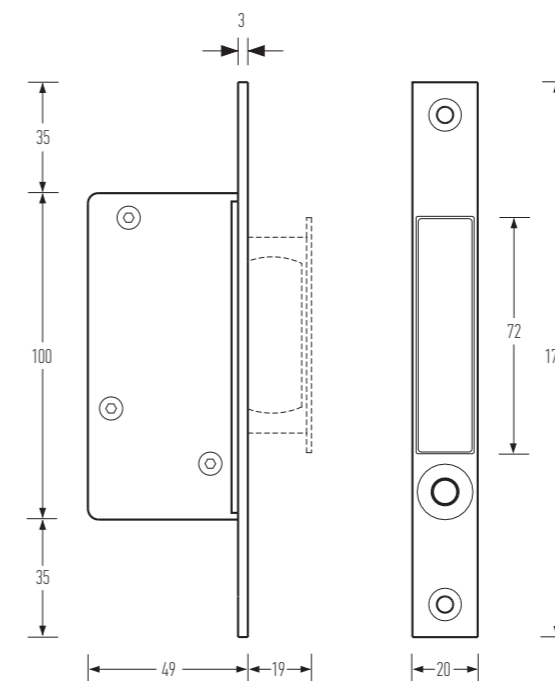
HB 1470

EDGE PULLS

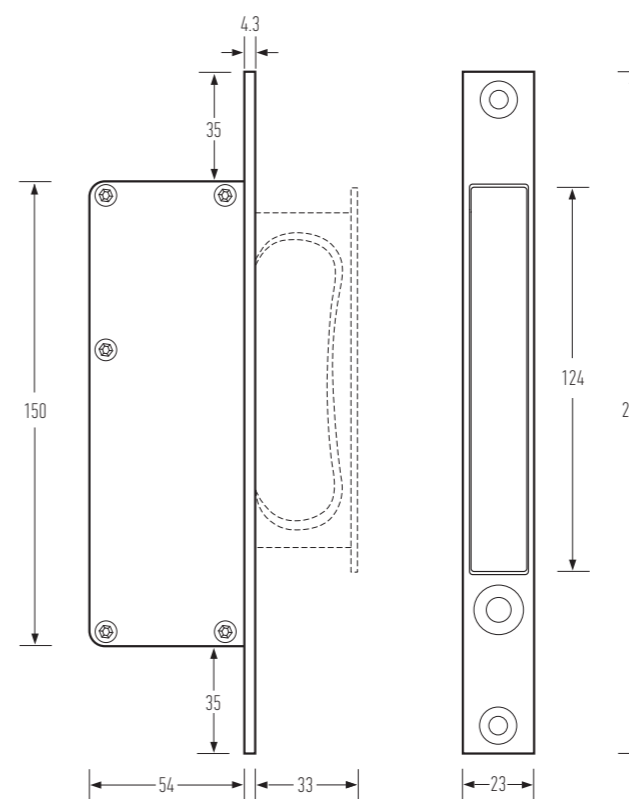
MODEL	DESCRIPTION	FINISH
HB 680	Button-Activated Edge Pull, 20mm x 170mm	All Finishes
HB 685	Button-Activated Edge Pull Large, 24mm x 220mm	All Finishes



HB 680



HB 685



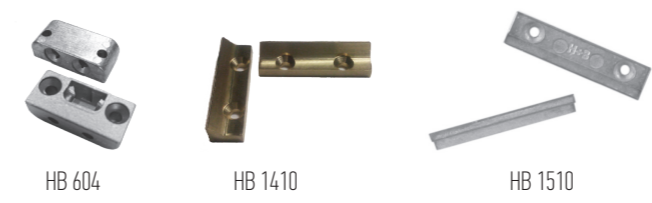
HB 680

HB 685

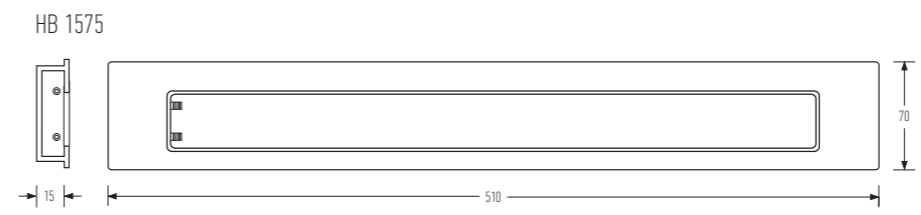
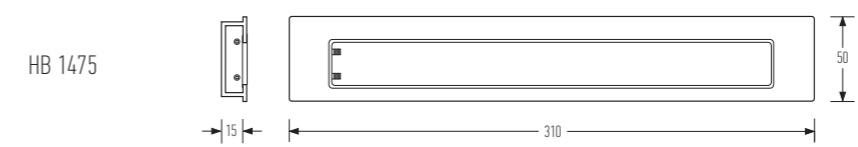
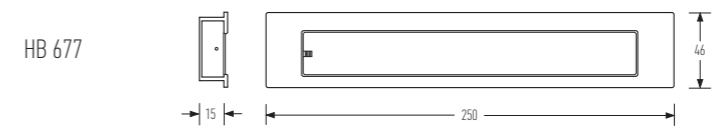
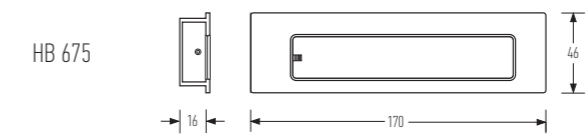
BI-FOLD/PIVOT FLUSH PULLS

MODEL	DESCRIPTION	FINISH
HB 675	Bi-fold & Pivot Door Pull with additional finger grip, 46mm x 170mm, comes as a handed flush pull for left and right hand	All Finishes
HB 677	Bi-fold & Pivot Door Pull with additional finger grip, 46mm x 250mm, comes as a handed Flush Pull for left and right hand	All Finishes
HB 604	Timber Fixing Kit for Flush Pulls, 105mm - 250mm	NA
HB 1475	Large Bi-fold & Pivot Flush Pull in solid brass, 50mm x 310mm	All Finishes
HB 1410	Timber Fixing Kit for Flush Pulls, 310mm	NA
HB 1575	Extra Large Bi-fold & Pivot Flush Pull in solid brass, 50mm x 510mm	All Finishes
HB 1510	Timber Fixing Kit for Flush Pulls, 510mm	NA

■ All Flush Pulls require the appropriate Timber Fixing Kits for installation in timber doors (HB 604, HB 1410, or HB 1510).



HB 604 HB 1410 HB 1510



HB 675

HB 677



HB 1475

HB 1575



Left hand shown



Right hand shown



EXTRA LONG BI-FOLD/PIVOT FLUSH PULLS

Designed and manufactured in New Zealand

MODEL	DESCRIPTION	FINISH
HB 3370	Extra Long Bi-fold & Pivot Door Pull, no Key Hole, with additional finger grip, 46mm x 350mm, comes as a handed flush pull for left and right hand	All Finishes
HB 3375	Extra Long Bi-fold & Pivot Door Pull, with Key Hole, and additional finger grip, 46mm x 350mm, comes as a handed Flush Pull for left and right hand	All Finishes
HB 604	Timber Fixing Kit for Flush Pulls, 105mm - 250mm	NA

■ All Flush Pulls require the appropriate Timber Fixing Kits for installation in timber doors (HB 604).

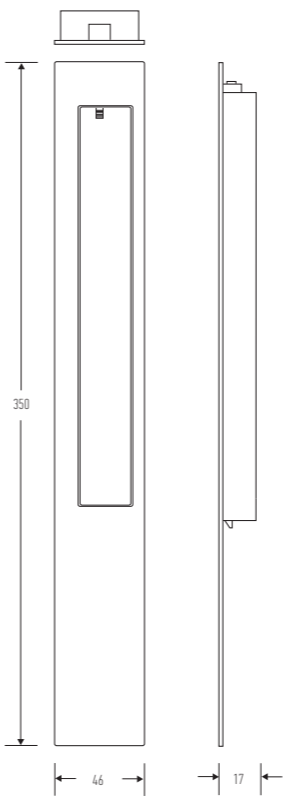


HB 604

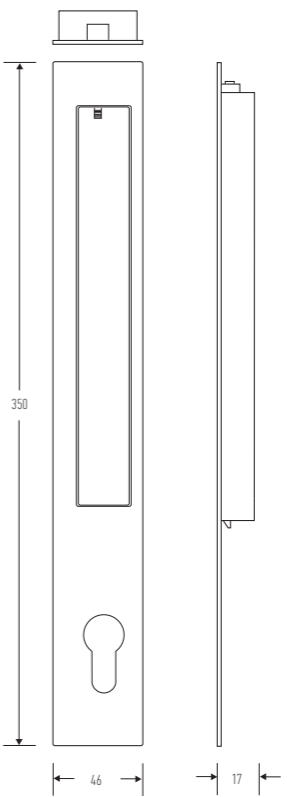


HB 3370

HB 3375



HB 3370

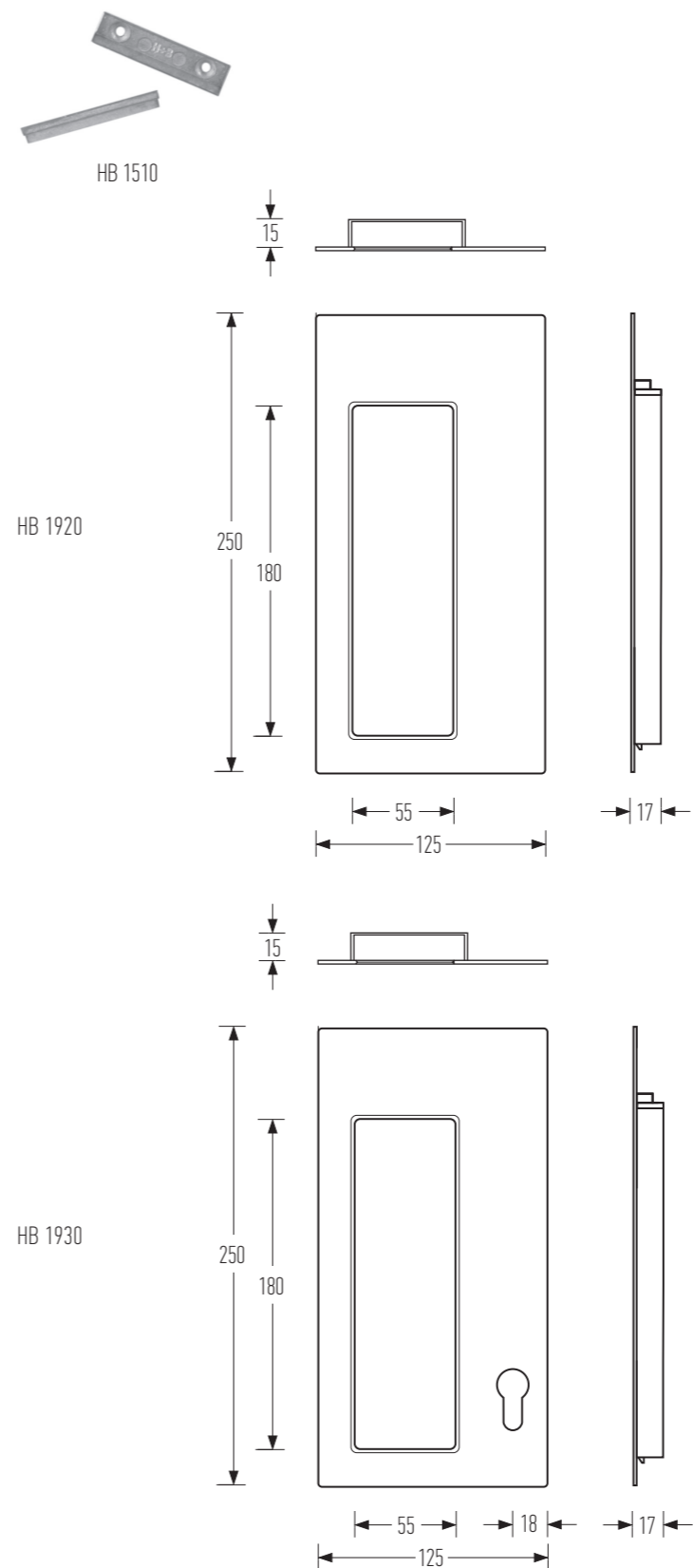


HB 3375

RECTANGULAR BI-FOLD/PIVOT DOOR PULLS

MODEL	DESCRIPTION	FINISH
HB 1920	Rectangular Bi-Fold & Pivot Door Pull, no Key Hole, 125mm x 250mm, comes as a handed flush pull for left and right hand	All Finishes
HB 1930	Rectangular Bi-Fold & Pivot Door Pull, with Key Hole, 125mm x 250mm, comes as a handed flush pull for left and right hand	All Finishes

- All Flush Pulls require the appropriate Timber Fixing Kits for installation in timber doors (HB 604, HB 1410, or HB 1510).
- Works well with the HB 2010 and HB 2012 sliding and pivot deadbolts.



HB 1920



HB 1930



Left hand shown

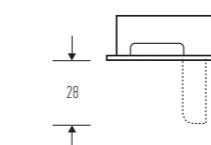
FLUSH D PULLS

MODEL	DESCRIPTION	FINISH
HB 678	Flush D Pull, 50mm x 170mm with integrated pivoting D handle	BN, BSC, DB, KC, PB, PN, SC
HB 679	Flush D Pull, 50mm x 250mm with integrated pivoting D handle	BN, BSC, DB, KC, PB, PN, SC

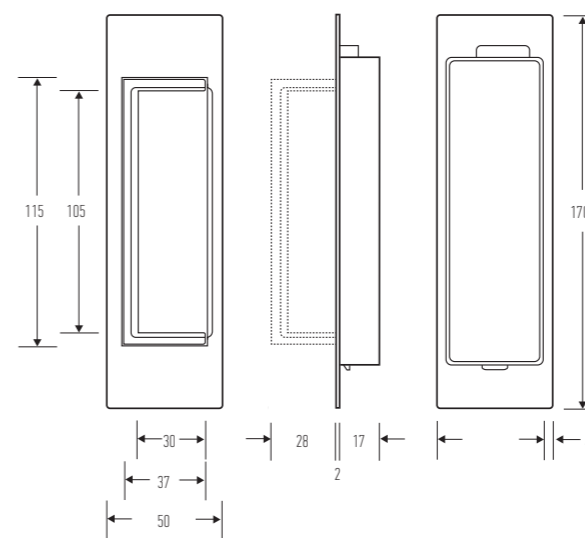
- All Flush D Pulls require the HB 604 Timber Fixing Kit for installation in timber doors.
- Due to handle configuration Flush D Pulls are unable to powder coated.



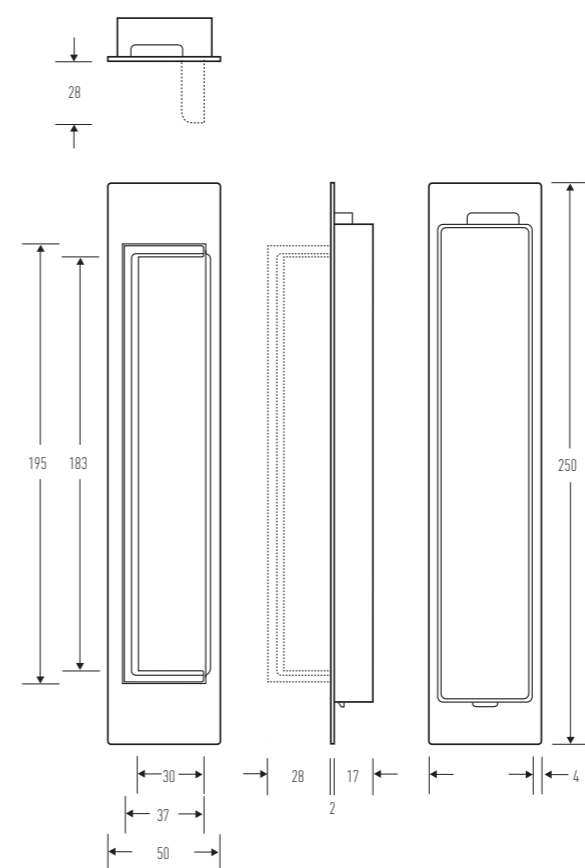
HB 604



HB 678



HB 679



HB 678
shown with D handle in various positions