

**halliday  
baillie**

## HB 530 STAIR RAIL BRACKET

The Halliday + Baillie HB 530 Rail Bracket is designed for round 30-50mm diameter or square profile wood rails.

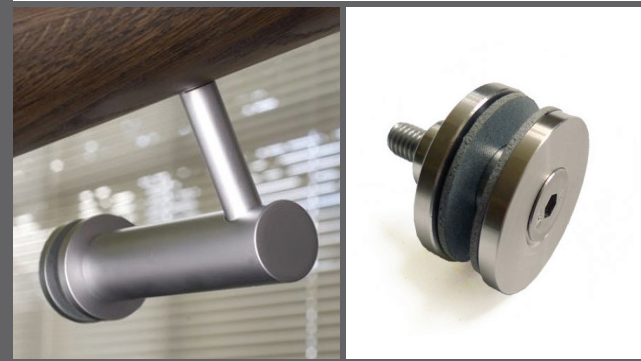
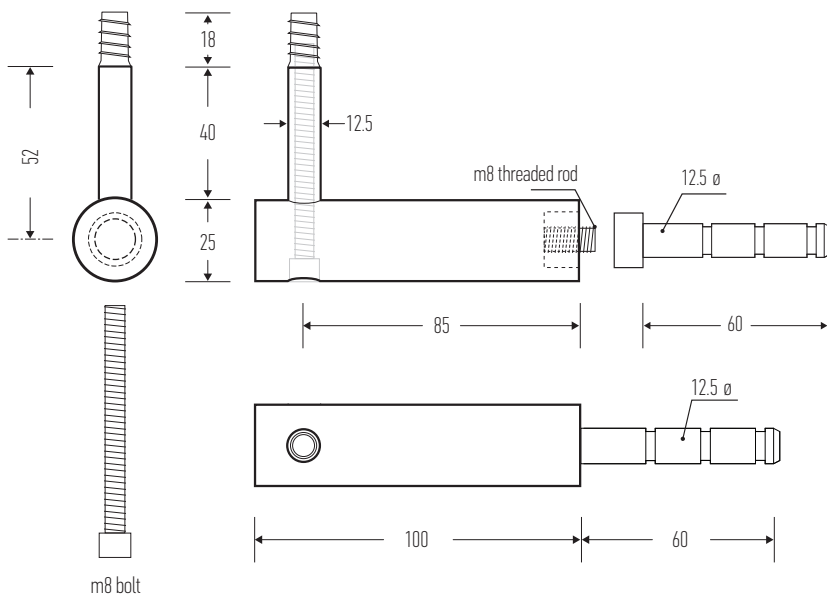
Machined from solid stainless steel, this bracket is suitable for exterior and marine applications or where corrosion resistance is desired.

Projection from wall (offstand) : 100mm  
Overall height (upstand) : 65mm

Includes all fasteners. Epoxy required for installation, not included (please contact your local H+B dealer for further information).

Material : milled 316 marine grade Stainless Steel  
Recommended Spacing : 600-800mm

Available in 316 SS only. See finishes sheet for further details.

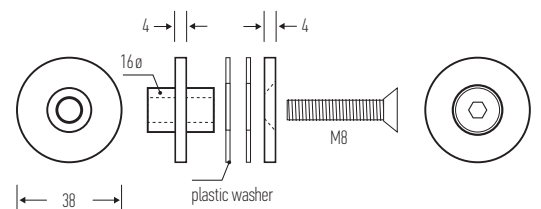


## HB 533 GLASS FIXING KIT FOR HB 530 BRACKET

Suitable for 10-15mm glass thickness.

Available in SS only.

Glass fixing kits sold separately (used in conjunction with the bracket, and not as a replacement).



Halliday + Baillie brackets are tested in accordance with both the AS/NZS 1170.1:2002 (Structural Design Actions) standards and the International Building Code, IBC (2003) to comply with the 200lb fall rating.

Designed and manufactured in New Zealand. For more information, installation templates, and measured drawings of this product and others please visit : [www.hallidaybaillie.com](http://www.hallidaybaillie.com) or contact your authorized Halliday + Baillie dealer. All information subject to change.