



**halliday
baillie**

HB 630 SERIES

SLIDING DOOR ENTRY LOCK SET – 55mm BACKSET

The Halliday + Baillie HB 630 sliding door lock set series allows several lock functions for sliding doors requiring keyed security. This series uses a "snib" (a slide block that acts like a traditional thumb turn) to throw the bolt.

Sliding the snib operates the bolt unless the cylinder is engaged. The key cylinder will lock the snib in place and does not activate the bolt. Please note that Euro Profile Cylinders are used with these sets and are sold separately. Various flush pull configurations are available as below.

Flush Pull Material : Diecast Zinc and Brass

Lock Body Material : Diecast Zinc, Brass, 316 Stainless Steel

Backset : 55mm

Minimum door thickness : 38mm

Flush pulls : 250 x 36 x 13

Internal grip depth : 36mm

Suitable for timber or wide profile aluminium doors

Standard HB 630 set includes :

- HB 630 Series Lock Body
- Two HB668 Flush Pulls
- HB 604 Fixing Kits (one set for HB 633)
- Strike and Dust Box
- Two spindle lengths (please specify door thickness for doors over 50mm)
- Fasteners
- Cylinder ordered separately for door thickness

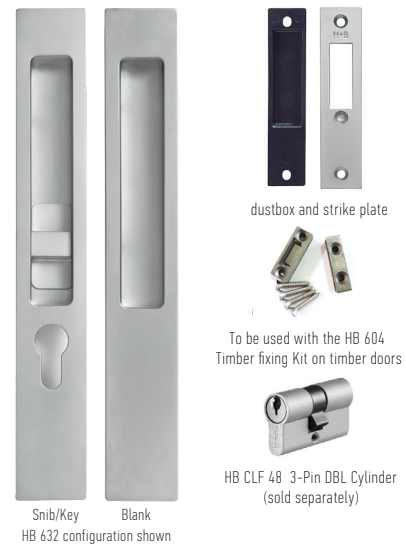
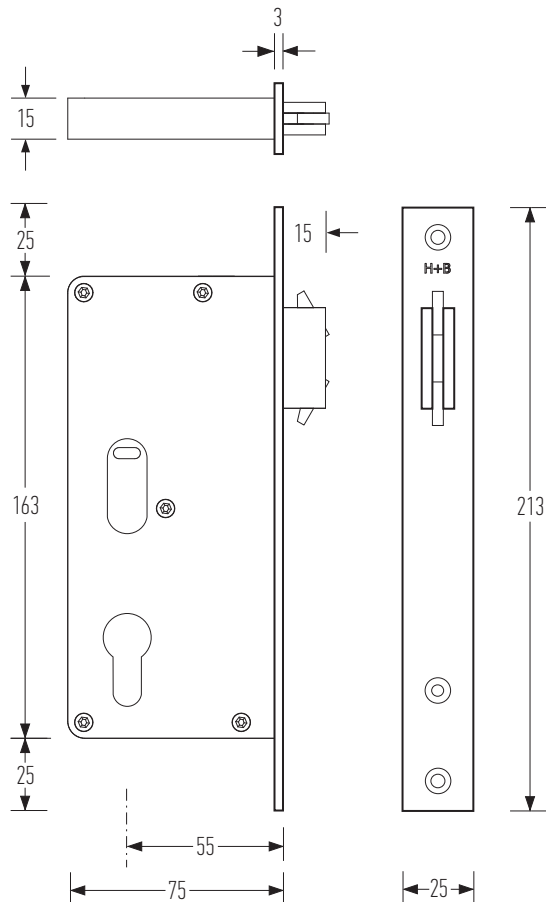
Configurations :

HB 630 : Key/Snib Both Sides

HB 632 : Key/Snib In, Blank Out

HB 633 : Key/Snib In, No Pull Out

Available in all standard Halliday + Baillie finishes, see finishes sheet for further details.



Designed and manufactured in New Zealand. For more information, installation templates, and measured drawings of this product and others please visit : www.hallidaybaillie.com or contact your authorized Halliday + Baillie dealer. All information subject to change.