

**halliday  
baillie**

## HB 690/35

### SLIDING DOOR PRIVACY SET - 55mm BACKSET

The iconic Halliday+Baillie HB 690/35 sliding door privacy set features an integrated push button-activated edge pull for pocketed doors. The operable "snib" (a slide block that acts like a traditional thumb turn) slides upwards to engage the lock. The discrete emergency release indicator pull can be operated with a pen or other object to disengage the lock from the outside.

The HB 690/35 version uses a standard lock body with shallower flush pull to suit 1.38"-1.5" doors. In double door conditions, for the passive leaf specify the HB 697 Strike Body w/Edge Pull and add Flush Pulls where a matching face plate is required.

Backset : 55mm

Minimum door thickness HB 690/35 : 35mm

Flush pulls : 175 x 36 x 12

Internal grip depth : 36mm

Suitable for timber or wide profile aluminium doors

Standard HB 690/35 set includes :

- HB 690 Series Lock Body
- Two HB 660/35 Flush Pulls
- HB 604 Fixing Kits (one set for HB 693)
- Strike and Dust Box
- Two spindle lengths (please specify door thickness)
- Fasteners

Configurations :

HB690/35 : Privacy Set, Snib Inside, ER Indicator Outside

HB692/35 : Snib Inside, Blank Outside

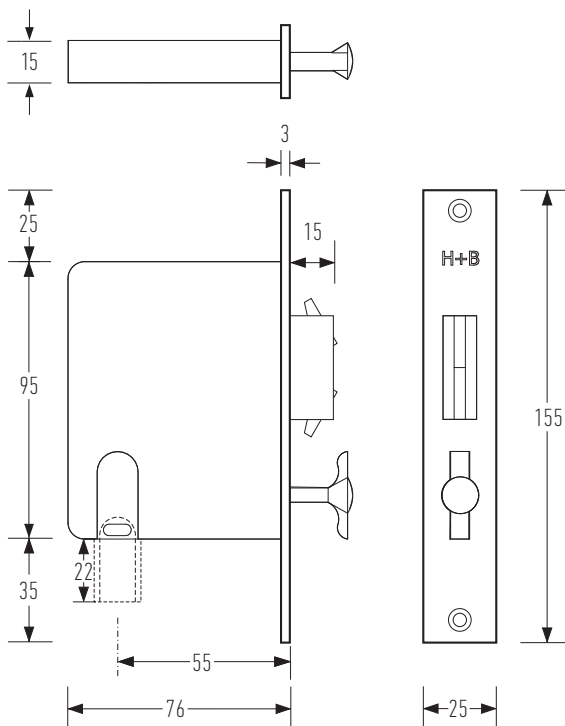
HB693/35 : Snib Inside, No Pull Outside

HB694/35 : Snib both Sides

HB691 : Body Only no End Pulls

HB697 : Body + End Pull, no Bolt

Available in all standard Halliday + Baillie finishes, see finishes sheet for further details.



Designed and manufactured in New Zealand. For more information, installation templates, and measured drawings of this product and others please visit : [www.hallidaybaillie.com](http://www.hallidaybaillie.com) or contact your authorized Halliday + Baillie dealer. All information subject to change.

© 2021 v1 Halliday + Baillie Ltd.

