

**halliday
baillie**

HB 695 SERIES

SLIDING DOOR SNIB/PRIVACY SERIES – 55mm BACKSET

The HB 695 sliding door privacy set features an integrated push button-activated edge pull for pocketed doors. The operable "snib" block slides upwards to engage the lock. The discrete emergency release indicator flush pull can be operated with a pen or other object to disengage the lock from the exterior.

Utilizing the longer HB 665 flush pulls, this set is ideal for larger doors where scale is a consideration.

In double door conditions, for the passive leaf specify the HB 697 Strike Body with Edge Pull and add HB 665 Flush Pulls where a matching face plate is required. Various configurations are available as below.

Flush Pull Material : Diecast Zinc and Brass

Lock Body Material : Diecast Zinc, Brass, 316 Stainless Steel

Backset : 55mm

Minimum door thickness : 38mm

Flush pulls : 250 x 36 x 13

Internal grip depth : 36

Suitable for timber or wide profile aluminium doors

Standard HB 695 set includes :

- HB 690 Series Lock Body
- Two HB 665 Flush Pulls
- HB 604 Fixing Kits (one set for HB 696)
- Strike and Dust Box
- Two spindle lengths (please specify door thickness for doors over 50mm)
- Fasteners

Configurations :

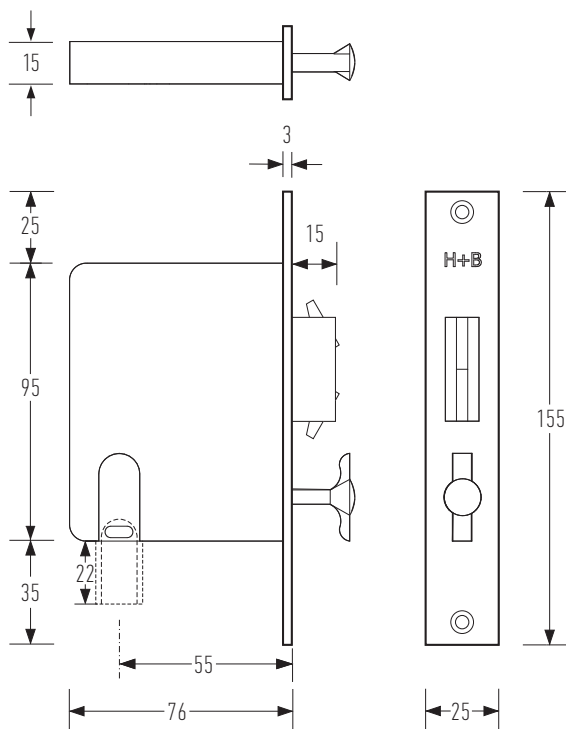
HB 695 : Privacy Set, Snib Inside, ER Indicator Outside

HB 696 : Snib Inside, No Pull Outside

HB 698 : Snib Inside, Blank Outside

HB 699 : Snib Both Sides (passage latch)

Available in all standard Halliday + Baillie finishes, see finishes sheet for further details.



Snib Indicator



dustbox and strike plate



To be used with the HB 604 Timber fixing Kit on timber doors

Designed and manufactured in New Zealand. For more information, installation templates, and measured drawings of this product and others please visit : www.hallidaybaillie.com or contact your authorized Halliday + Baillie dealer. All information subject to change.