

**halliday  
baillie**

## HB 737

### MAGNETIC WALL MOUNTED DOOR STOP

The Halliday + Baillie Magnetic Wall Mounted Door Stop is a simple option for hold and control of swinging doors. Similar in style to the Aluminium HB 735 and Stainless Steel HB 740 the HB 737 utilises a rubberised magnetic in the end of the stop.

A corresponding round keeper is screwed into the door. The magnet can be surface mounted, flush mounted or recessed into the door enough to cover with a skim coat.

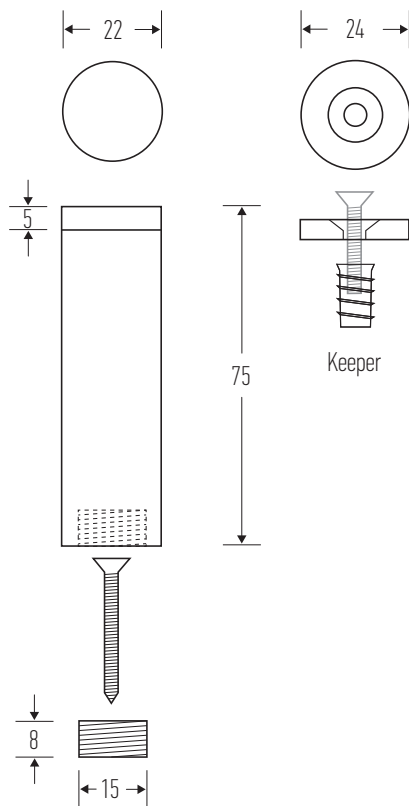
Like the HB 735 and HB 740 the HB 737 ships with invisible fixing. Recommended for the magnet body, solid substrates such as architraves, masonry, concrete, or mounted directly to the back of a solid core door.

Material : Aluminium-alloy, stainless steel fasteners, steel Keeper and magnets.

Dimensions Stop : 22  $\phi$  x 75 H

Dimensions Keeper : 24  $\phi$  x 5 H

Available in all standard Halliday + Baillie finishes. See finishes sheet for further details.



Designed and manufactured in New Zealand. For more information, installation templates, and measured drawings of this product and others please visit : [www.hallidaybaillie.com](http://www.hallidaybaillie.com) or contact your authorized Halliday + Baillie dealer. All information subject to change.