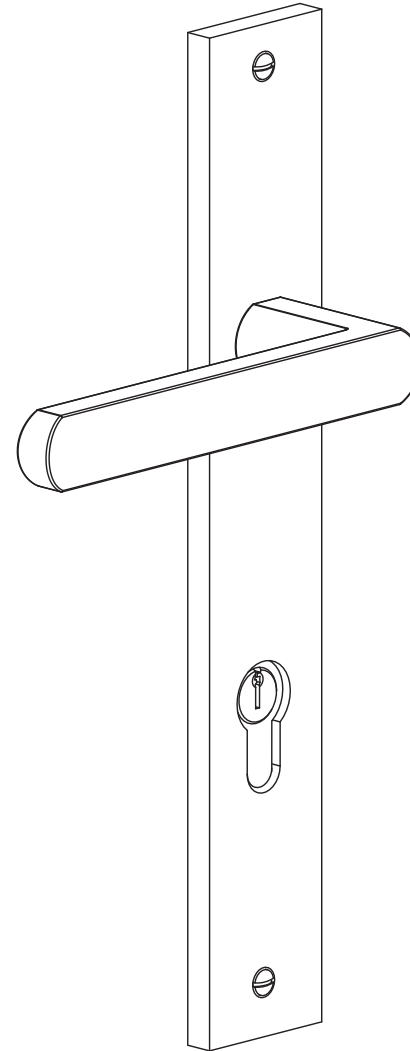


# Install Instructions

## Backplate Entrance Set

---



Scan for AU  
Warranty



Scan for NZ  
Warranty



Scan for  
Product &  
Finish Care  
Information



\*Image used for illustration purposes only.

---

### Contact Us Southern Design Group

**Australia**  
14 - 16 Stepney Street,  
Stepney, South Australia 5069  
P: +61 (0)8 8362 1133  
info@iver.com.au  
iver.com.au

**New Zealand**  
P: +64 (0)6 359 0008  
info@iver.co.nz  
iver.co.nz

**SDG Trading Pty Ltd**  
trading as Iver  
ACN 008 154 041 | ABN 18 008 154 041

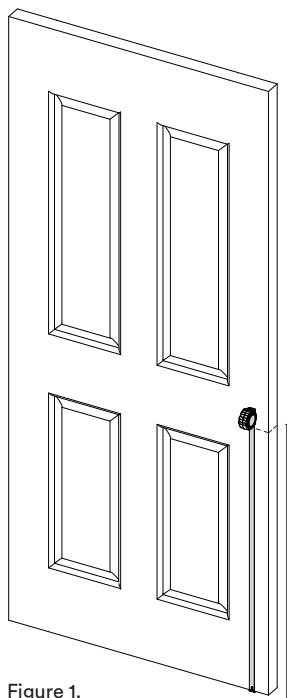


Figure 1.

## 1. Marking the Door

- 1.1. Mark the edge of your door at the desired height of your handle.
- 1.2. We recommend around 900mm – 1100mm from floor level, or at the centre of a lock rail on a panel door. (Figure 1)

Preferred product height

- 1.3. Using a spirit level, mark the door at the desired lever height, continuing the line from the front of the door, around the edge and onto the back of the door. (Figure 2)

- 1.4. We recommend extending the line 100mm onto each face of the door.

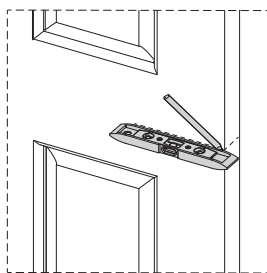


Figure 2.

## 2. Install Mortice Lock & Striker Plate

As per supplier instructions, resources available at [iver.com.au/resources](http://iver.com.au/resources).

## 3. Install Euro Cylinder (key/key only\*)

- 3.1. Insert key/key euro cylinder through the lock body and fix with the appropriately sized cylinder screw provided. (Figure 3)

\*If you are installing a cylinder with thumb turn, please skip this step and proceed to step 4.

\*\*If required, refer to suppliers instructions.

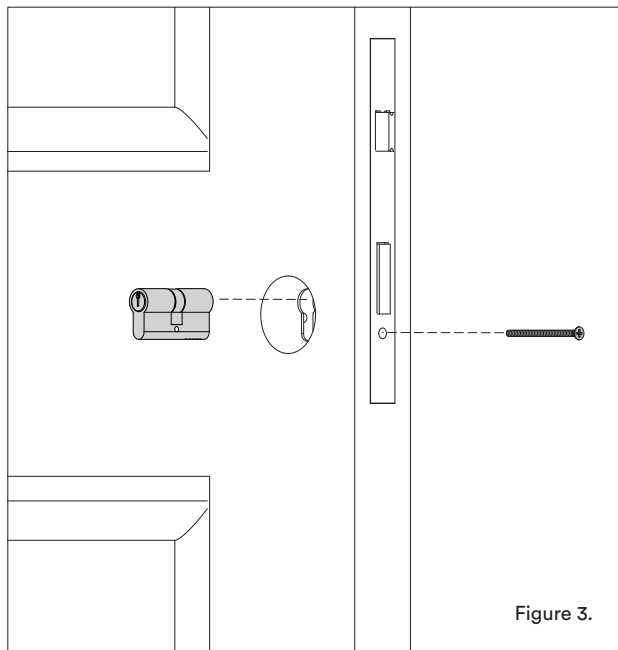


Figure 3.

### IMPORTANT:

Please install this door hardware in the following order to ensure its warranty is not voided.

1. Install the door hardware on raw / unfinished door using the instructions provided.
2. Remove door hardware and store safely. Do not place painters tape or masking tape over the product. The tape will damage the finish.
3. Paint / finish door.
4. Reinstall hardware.



Please recycle me after use

## 4. Prepare Cut-off Screws

— if using face fix timber screws, proceed to step 5

- 4.1. If required, shorten cut-off screws to suit door thickness. (Figure 4)

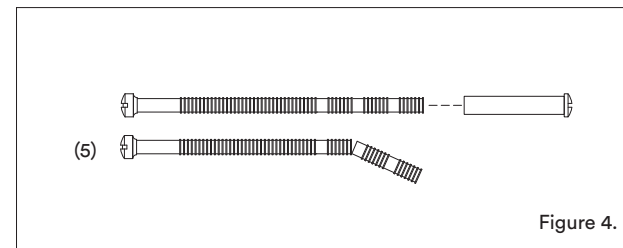


Figure 4.

- 4.2. Ensure to cut so that the screw does not protrude from the opposite plate once installed. (Figure 5)

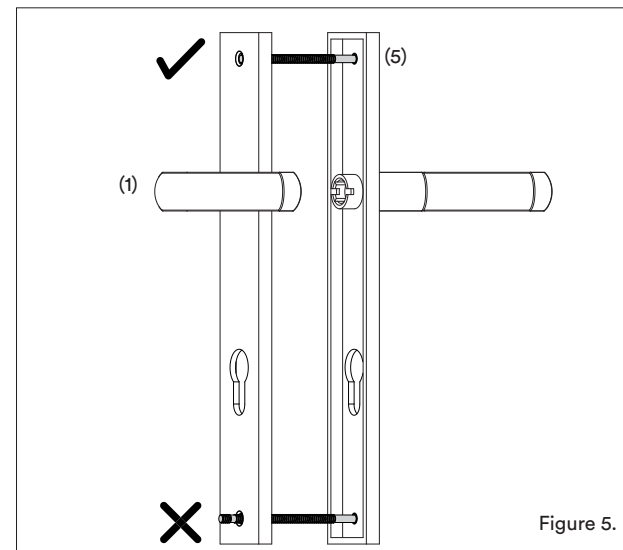
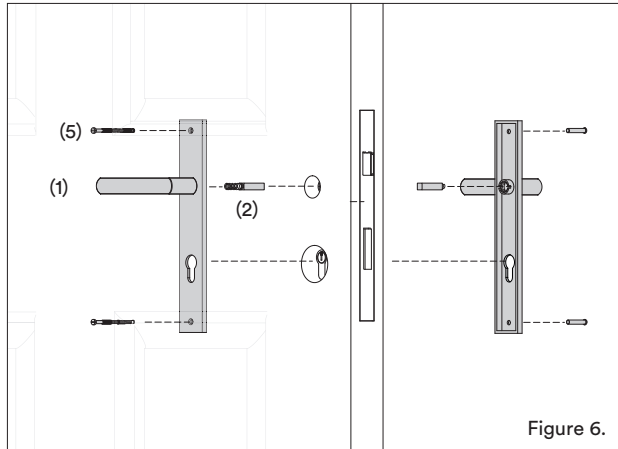


Figure 5.

## 5. Install Levers

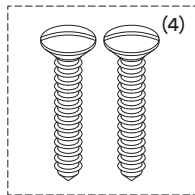
- 5.1. Place the split spindles into the lock body from either side of the door\*.



- 5.2. Install the halves on either side of the door, ensuring the levers function in the correct direction.  
 5.3. Insert male tie bolts through top and bottom of back plate, *OR*  
 5.4. Affix wood screws at all fixing points.  
 5.5. Place the female sections in the opposite holes, lining them up with the male thread. (Figure 6)  
 5.6. Secure loosely by hand, then use a screwdriver to hold the female section while tightening the male section with a second screwdriver.

\* Regular spindle also provided

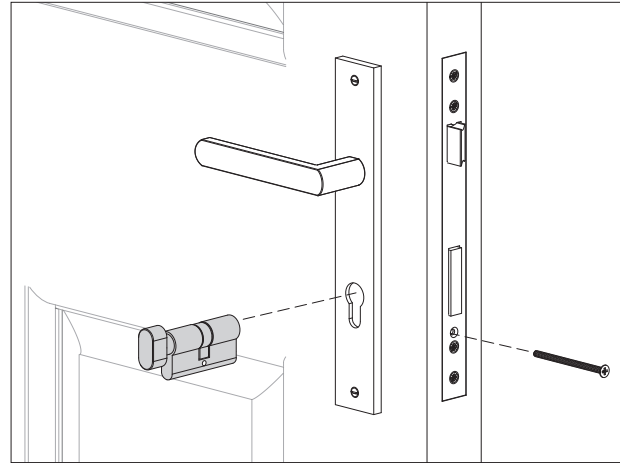
Wood Screws



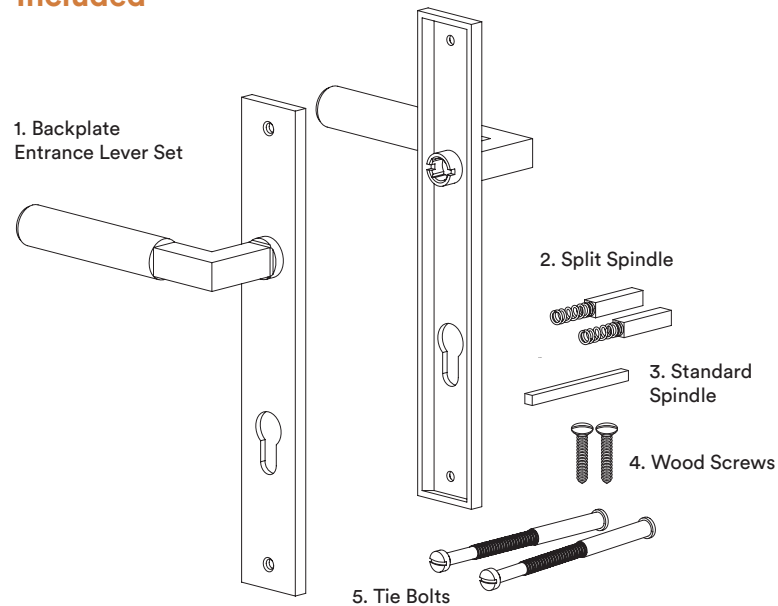
## 6. Install Euro Cylinder (Thumb Turn)

- 6.1. Insert thumb turn euro cylinder through the lock body and fix with the appropriately sized cylinder screw provided.

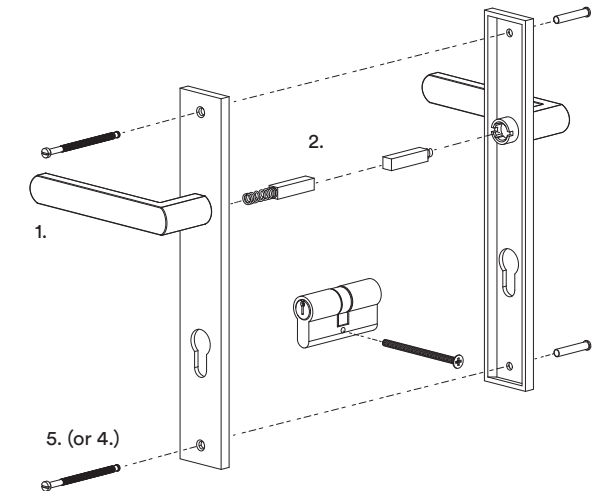
—  
 \*If required, refer to suppliers instructions.



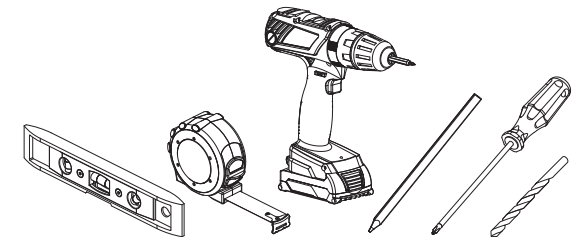
## Included



## Backplate Entrance Set



## Not Included



### PLEASE NOTE:

The screws provided with Iver products are made from solid brass. This allows finishes to be matched as closely as possible and prevents the possibility of screws rusting in coastal areas. Please note that screws require **pre-drilling**.

Please take extra care when fitting.