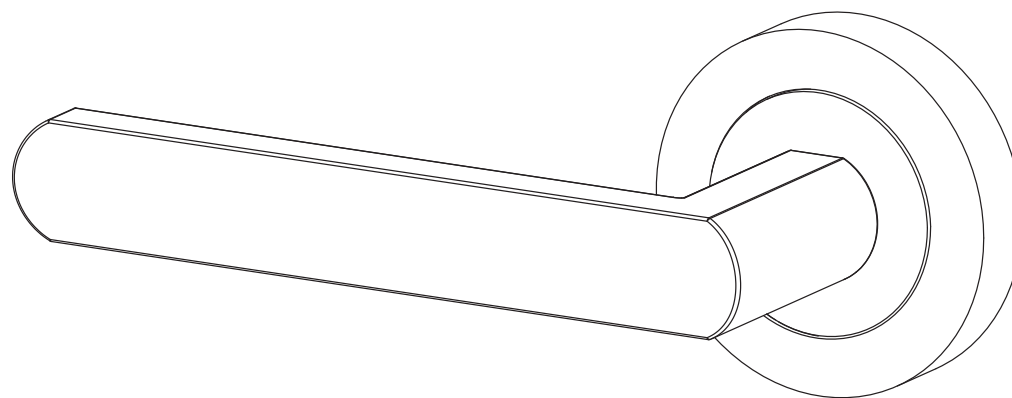


# Install Instructions

## Rose Passage Set

### Standard & Grub Screw



Scan for AU  
Warranty



Scan for NZ  
Warranty



Scan for  
Product &  
Finish Care  
Information



\*Image used for illustration purposes only.

#### Contact Us Southern Design Group

**Australia**  
14 - 16 Stepney Street,  
Stepney, South Australia 5069  
P: +61 (0)8 8362 1133  
info@iver.com.au  
iver.com.au

**New Zealand**  
P: +64 (0)6 359 0008  
info@iver.co.nz  
iver.co.nz

**SDG Trading Pty Ltd**  
trading as Iver  
ACN 008 154 041 | ABN 18 008 154 041

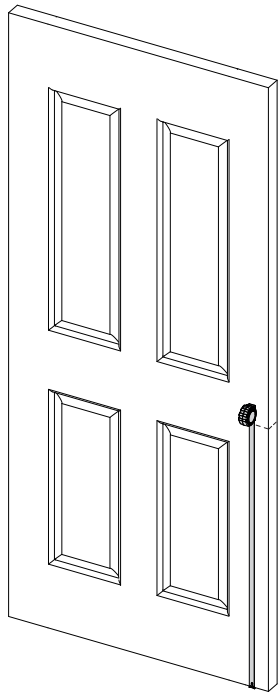


Figure 1.

## 1. Marking the Door

- 1.1. Mark the edge of our door at the desired height of our handle. (Figure 1)
- 1.2. We recommend around 900mm – 100mm from floor level, or at the centre of a lock rail on a panel door.

Preferred product height

- 1.3. Using a spirit level, mark the door at the desired lever height, continuing the line from the front of the door, around the edge and onto the back of the door. (Figure 2)
- 1.4. We recommend extending the line 100mm onto each face of the door.

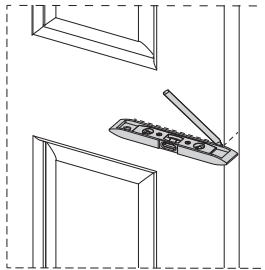


Figure 2.

## 2. Install Latch & Striker Plate

As per supplier instructions, resources available at [iver.com.au/resources](http://iver.com.au/resources).

## 3. Prepare Cut-off Screws

— if using face fix timber screws, proceed to step 4

- 3.1. If required, shorten cut-off screws to suit door thickness.
- 3.2. Ensure to cut so that the screw does not protrude from the opposite rose once installed. (Figure 3)

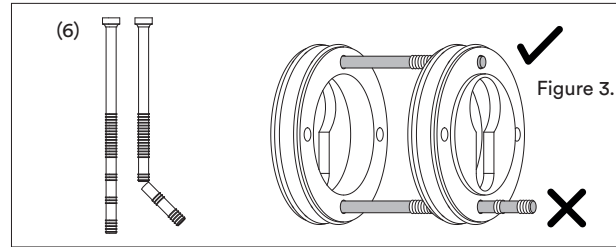


Figure 3.

## 4. Install Levers

- 4.1. Place the split spindles into the latch from either side of the door.
- 4.2. Unscrew the outer roses from the door lever set (for square rose hardware loosen grub screw and remove) and install the halves on either side of the door, ensuring the levers function in the correct direction.† (Figure 4)
- 4.3. Insert two of the cut-off screws through non-threaded holes of the inner rose at 3 and 9 o'clock, screwing them into the opposite rose. Repeat at 12 and 6 o'clock, OR (Figure 5)
- 4.4. Affix wood screws at all fixing points.
- 4.5. Replace outer rose cover.

† For Helsinki lever unscrew end cap to remove and fit rose.

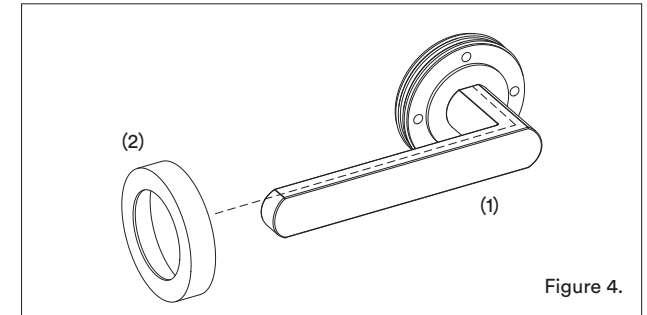


Figure 4.

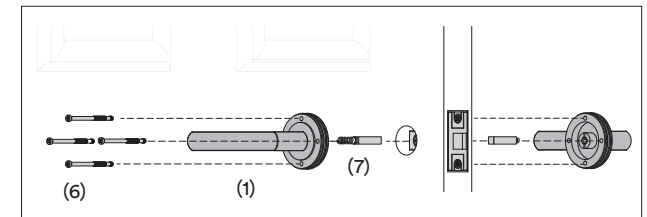
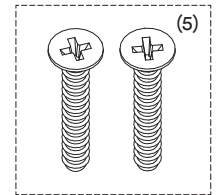


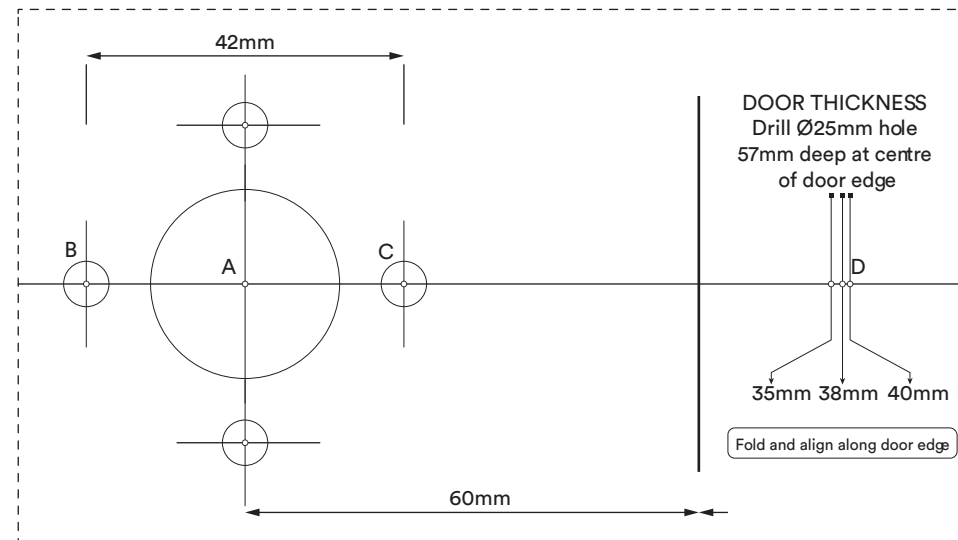
Figure 5.



Wood Screws

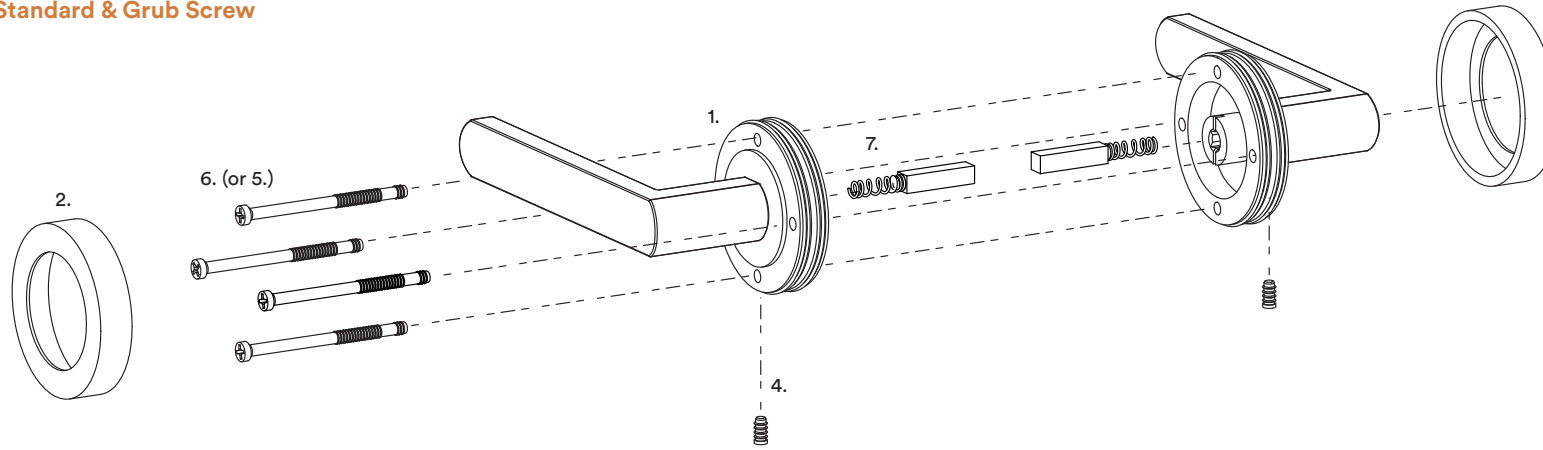
CUT ALONG DOTTED LINE

## Drilling Template



## Rose Passage Set

### Standard & Grub Screw



#### IMPORTANT:

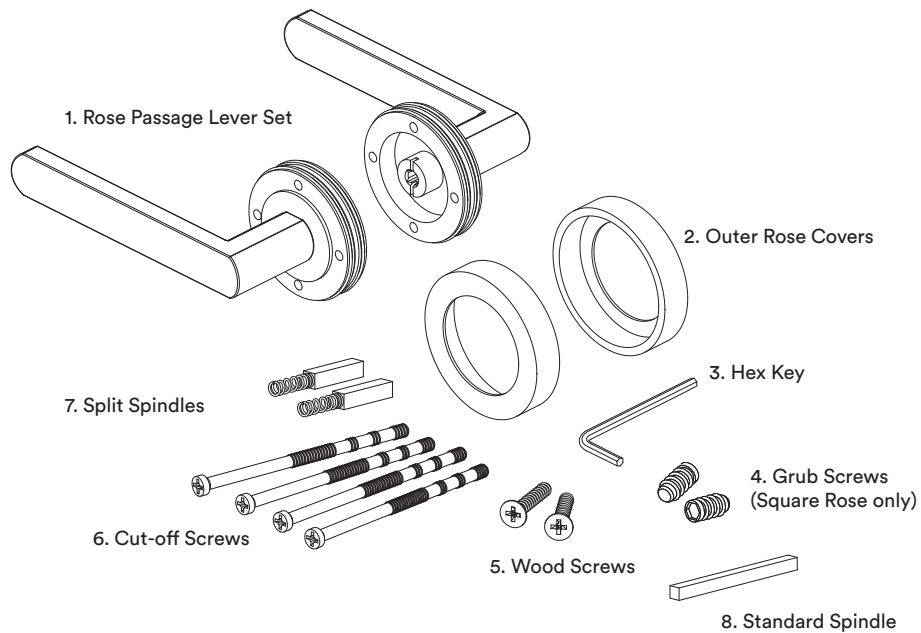
Please install this door hardware in the following order to ensure its warranty is not voided.

1. Install the door hardware on raw / unfinished door using the instructions provided.
2. Remove door hardware and store safely. Do not place painters tape or masking tape over the product. The tape will damage the finish.
3. Paint / finish door.
4. Reinstall hardware.

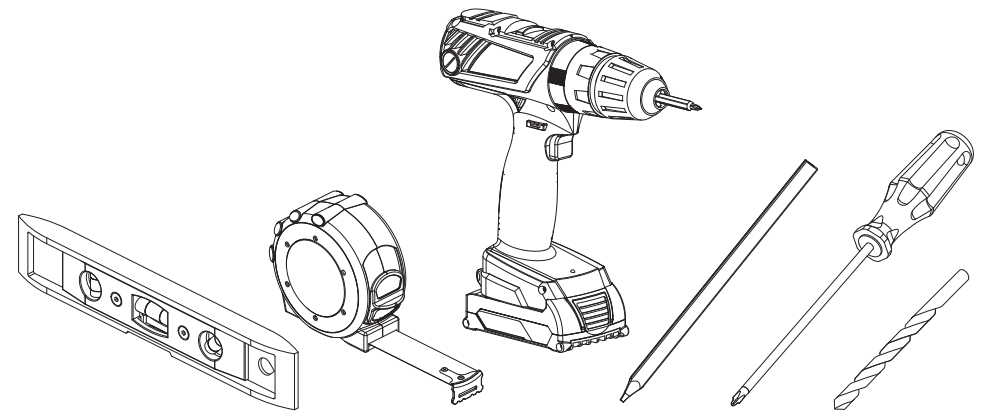


Please recycle me after use

#### Included:



#### Not Included:



#### PLEASE NOTE:

The screws provided with Iver products are made from solid brass. This allows finishes to be matched as closely as possible and prevents the possibility of screws rusting in coastal areas. Please note that screws require **pre-drilling**.

Please take extra care when fitting.