

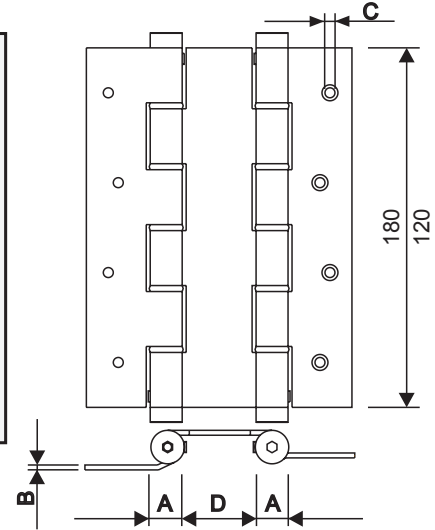
Spring hinge BIDA120W & BIDA180W technical data

Aluminium wall mounted - No jamb required

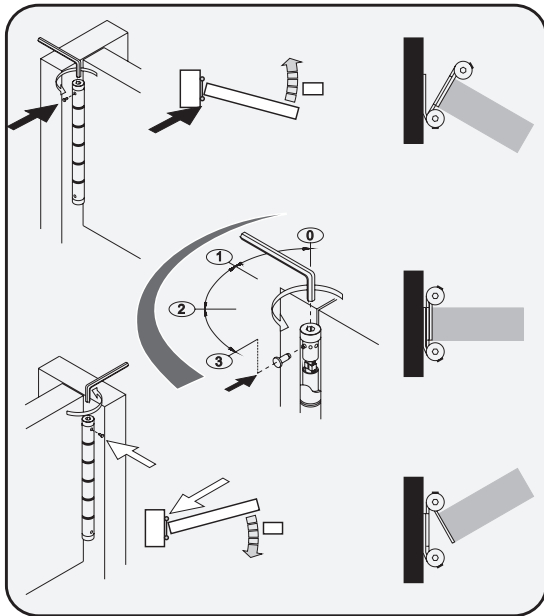


Dimensions of the BIDA120W & BIDA180W:

Mod.	A	B	C	D
BIDA180W	180	Ø1	4	Ø5.3 37
BIDA180WA	180	Ø1	4	Ø5.3 47
BIDA120W	120	Ø1	4	Ø5.3 37

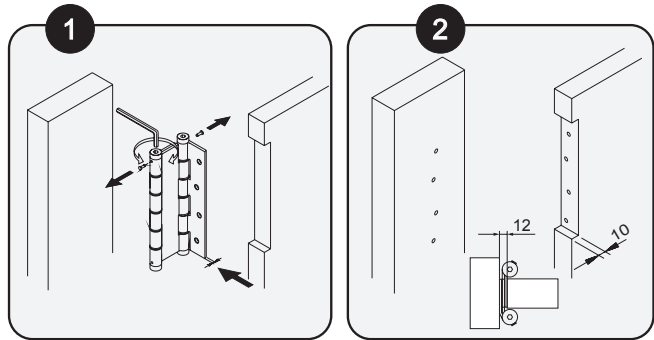


Adjustment of the BIDA120W & BIDA180W:



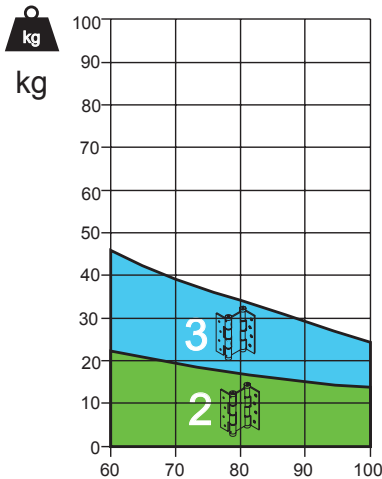
Multiple adjustment points for increasing or decreasing the spring's tension. Simple adjustment, pull out the pin, turn head with allen key and replace pin. No need to remove the door.

Installation of the BIDA120W & BIDA180W:

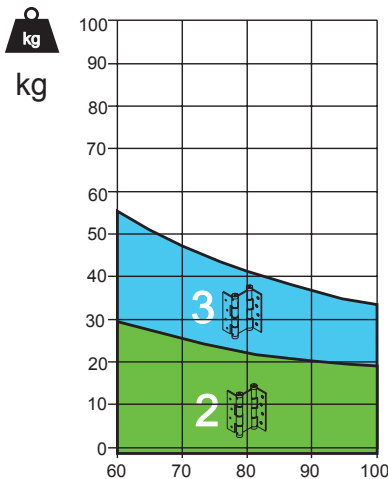


Easy 2 step installation process. Step 1, cut rebate into door, insert allen key into head of hinge remove pin, turn to release tension, reinsert pin. Step 2, screw hinge to door & wall jamb, re-adjust tension. Easy. You're done.

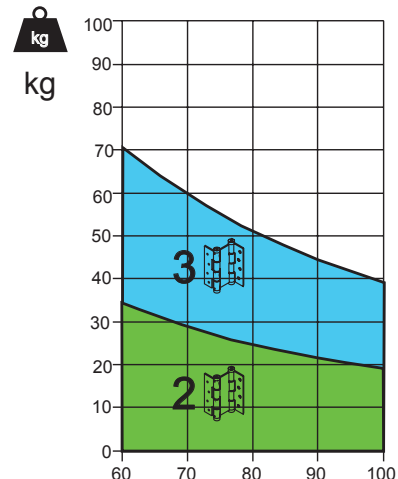
Number of hinges required per door:



BIDA120W



BIDA180WA



BIDA180W

Based on a sliding scale, typical number of hinges per door starts at 2 increasing to 3 based on the graph above. For doors that require 3 hinges, please fit the 1st hinge at top, the 2nd placed 5cm below 1st hinge and the 3rd hinge at bottom.

Spring hinge BIDA120W & BIDA180W functional data

Aluminium wall mounted - No jamb required

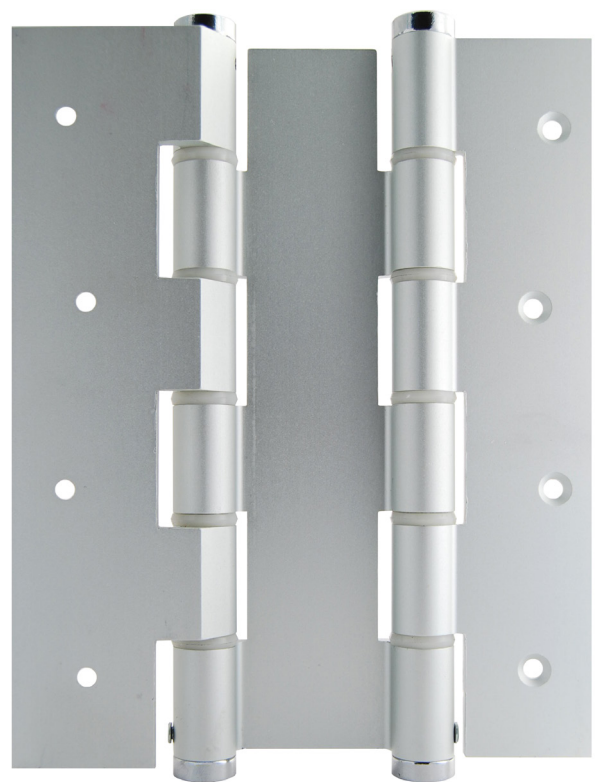
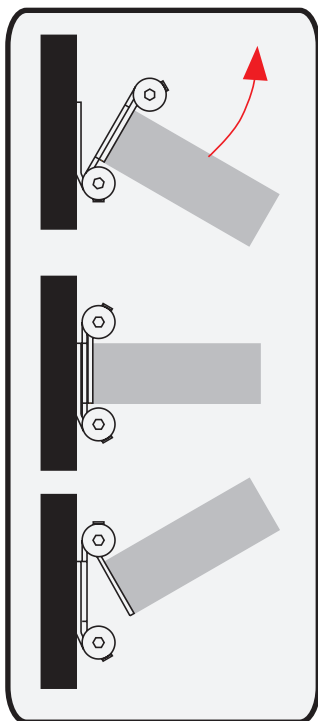
Unlike traditional double action hinges which require a jamb to mount onto, the BIDA120W & BIDA180W do not. Due to its revolutionary design, the BIDA120W & BIDA180W double action spring hinges from Justor of Spain **mount directly to a flat surface**. No need to build out the wall or the jamb to cater for the knuckles of the hinge. Screw straight onto the wall. Simple, clean and easy.

What makes the BIDA120W & BIDA180W totally unique is its revolutionary design. Specifically engineered to cater for doors where the traditional jamb for the hinge to be mounted to does not exist. With this fact in mind, the BIDA120W & BIDA180W opens up endless possibilities to where you can hang a door and how the door and wall can be designed with aesthetics of the environment in mind.

Ideal for internal or external applications, wherever a dual swing door (a door that swings in both directions such as a pivot door does) needs to return to a centre position without assistance. Designed to automatically close doors with a subtle visual appearance. Its sleek, stylish and simple design makes it ideal for all environments. Made in Spain by Justor, the BIDA120W & BIDA180W are highly functional and adjustable to bring the door back quickly or slowly.

Made to exacting European standards in Spain by Justor, the BIDA120W & BIDA180W are a maintenance-free solution - no periodic greasing or adjustments required, just 1 drop of oil in the top top caps once a year. Cost effective and highly functional, it is a real and effective alternative to traditional double action closers and pivot sets; the Justor BIDA120W & BIDA180W are hard to overlook.

Wall mounted - No jamb !



BIDA120W & BIDA180W range quick facts:

- Spring resistance 500,000 cycles
- Automatically closes a door
- Resistant to extreme climatic conditions (cold and humidity)
- Maximum resistance to bending
- Torsion spring not a coil spring
- Variable closing strength (speed)
- 90° or 180° working aperture
- Solid and stylish design
- For timber or aluminium doors
- Slim profile vs. bulky door closer
- Quick & simple installation
- Manufactured in Spain and comes with a 2 year manufacturer's guarantee

Order codes:

Base material: Aluminium

- BIDA120WAS - Anodized silver (Max. 35mm thick door)
- BIDA120WWHT - PC white (Max. 35mm thick door)
- BIDA180WAS - Anodized silver (Max. 35mm thick door)
- BIDA180WBLK - Anodized black (Max. 35mm thick door)
- BIDA180WWHT - PC white (Max. 35mm thick door)
- BIDA180WAAS - Anodized silver (Max. 45mm thick door)

Non sprung Kit (1 kit per knuckle)

- BIDA120NWAS - Anodized silver (Max. 35mm thick door)
- BIDA120NWWHT - PC white (Max. 35mm thick door)
- BIDA180NWAS - Anodized silver (Max. 35mm thick door)
- BIDA180NWBK - Anodized black (Max. 35mm thick door)
- BIDA180NWWHT - PC white (Max. 35mm thick door)
- BIDA180NWAAS - Anodized silver (Max. 45mm thick door)

