

Spring Hinge BIMZ functional data

Aluminium



The Justor BIMZ spring hinge is your go-to for fly screen and light weight type doors at or around 5kg that need to returned to a closed position without assistance. The spring hinge BIMZ is ideal for timber or aluminium.

Installation of the spring hinge BIMZ is quick, neat and simple with built-in multiple adjustments for multiple tension settings allowing the door to come back quickly or slowly. No need for an unsightly door closer.

Available in silver, black or white, the BIMZ spring hinge is ideal to use as it will not lose its tension due to the torsion spring internally.

Made by Justor of Spain, the BIMZ unique design makes it a maintenance free solution - no periodic greasing or adjustments required, just 1 drop of oil in the top cap once a year. The BIMZ spring hinge comes with a 2 year manufacturer's Guarantee and is available in a range of finishes.

Aesthetically pleasing to the eye, cost effective and highly functional. The BIMZ is the only solution to consider for today's lightweight door spring hinge needs.

BIMZ quick facts:

- Spring resistance 250,000 cycles
- For light doors up to 5kg
- Torsion spring not a coil spring
- Variable closing strength
- Solid and stylish design
- For timber or aluminium doors
- Slim stylish profile
- Quick & simple installation
- Detailed instructions included
- 2 year manufacturer's guarantee



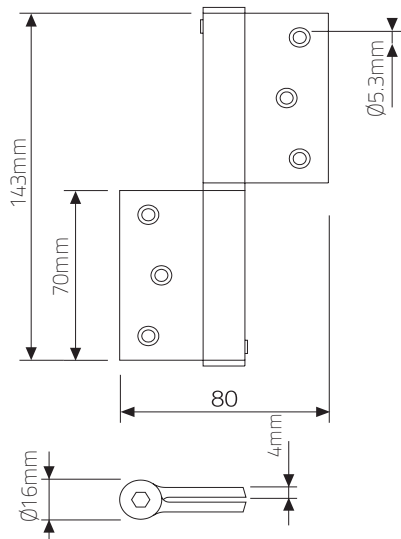
Technical data

BIMZ quick facts:

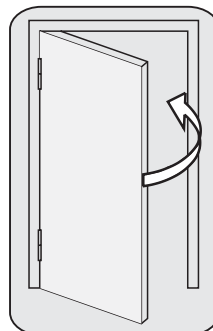
The BIMZ does not require periodical greasing, just 1 drop of oil in the top cap once a year. Due to its compact construction, it is a small diameter hinge. It has two (2) adjustment points and because it is made by Justor in Spain, it comes with a 2 year manufacturer's guarantee.

The BIMZ, the smart choice for fly screen & light weight doors

Dimensional information:

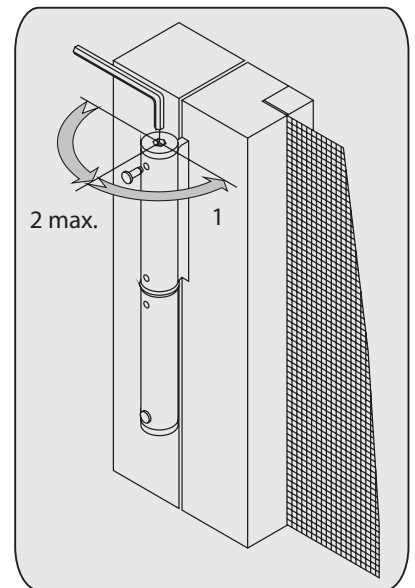


Installation:



Install the spring hinges at the top and bottom of the door. Used in place of normal hinges.

Adjustment instructions:



Order codes:

- BIMZS - Anodized silver
- BIMZB - Anodized black
- BIMZW - PC white



BIMPSI - Single action (anodized silver)

Perfect to turn existing non sprung doors into self closing doors by just adding a third hinge.

Ideal for doors up to 40kg. Tested upto 200.000 cycles. Installed at the center of the door.

Used on wardrobe doors, changing rooms, office doors and others.

