

# Spring Hinge ST150 Functional Data

## Quick Fix Interleaf 304 Aluminium & Stainless Steel

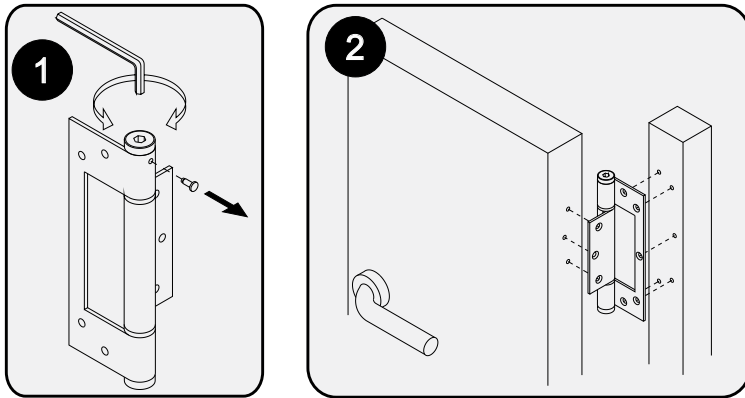
Ideal as an alternative to a traditional door closer for commercial and domestic aluminium framed swing door.

### Commitment:

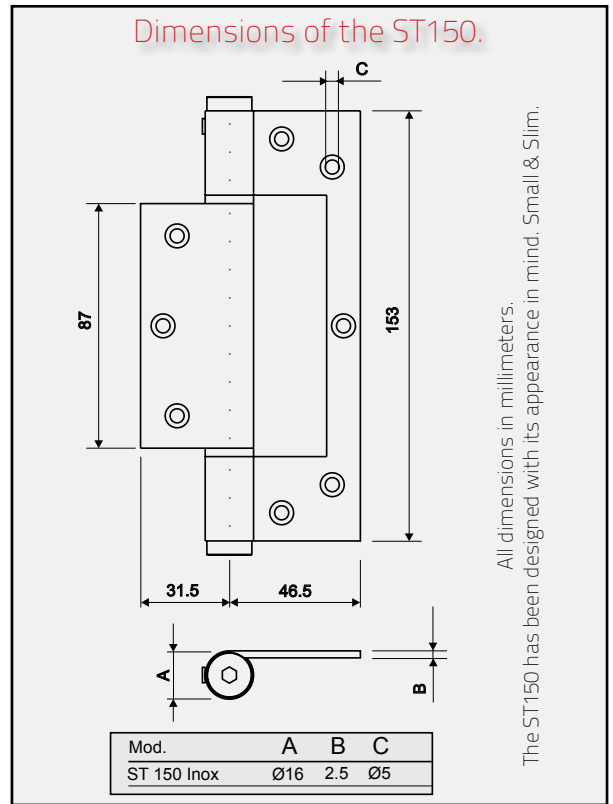
Justor by Bellevue, for over 10 years a joint commitment to providing unique, high quality, practical products to the Australian and New Zealand building market.

### Installation of the ST150.

Designed for self-latching doors that fit the following profile: aluminium framed doors and jambs, steel jambs, doors where there is little clearance between the door and the jamb.



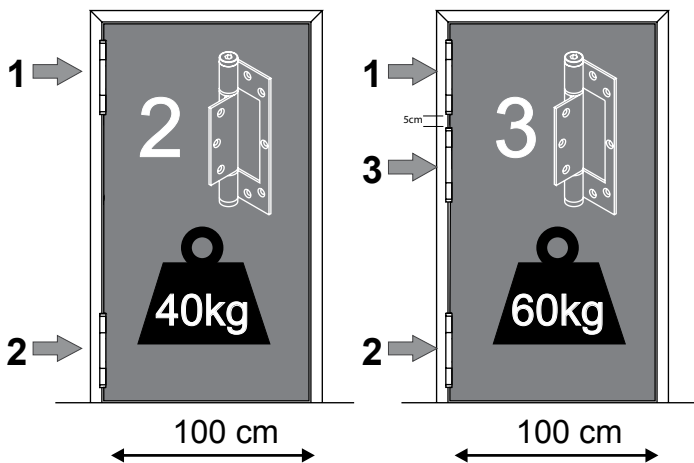
Easy 2 step installation process. Step 1, insert allen key into head and turn to set tension reinsert pin. Step 2, screw or rivet hinge to door and door jamb. Easy. You're done.



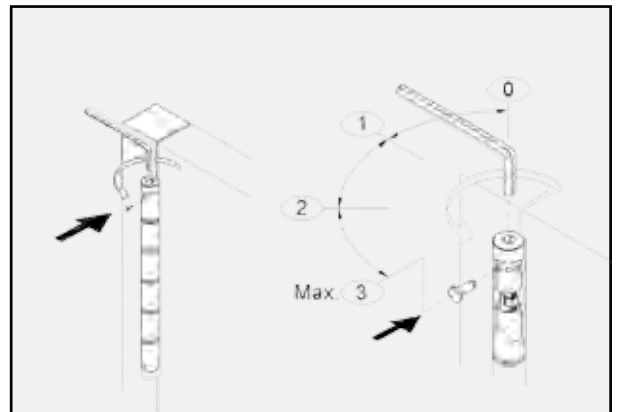
### Handing:

The ST150 is a non handed hinge, allowing for a non complicated 2 step installation process. Just turn the hinge upside down for opposite handing.

### Number of hinges required per door



### Adjustment of the ST150.



Multiple adjustment points for increasing or decreasing the spring's tension. Simple function, pull pin, turn head with allen key and replace pin. No need to remove door

# Spring Hinge ST150 Functional Data

## Quick Fix Interleaf 304 Aluminium & Stainless Steel

Automatically closing an *Aluminium* framed door is now so much easier.

Now there is no longer a need for unsightly door closers for **aluminium framed** self-latching doors or doors with steel jambs, the ST150 Single Action Quick Fix Spring Hinge is designed to automatically close doors with a subtle visual appearance. Its sleek, stylish and simple design makes it ideal for all environments. Made in Spain by Justor, the ST150 is highly functional and totally adjustable, ideal for all doors that weigh up to 60Kg.

The Justor ST150 has been specifically designed as a quick fix hinge for **aluminium framed** self-latching doors including doors with **steel or aluminium jambs**. Also practical for doors where there is very little gap between the door and the jamb as the hinge is only **2.5mm** thick.

Simplistically, the spring acts as a door closer would, by bringing the door back to the closed position once opened. Made out of AISI 304 Stainless Steel or aluminium the ST150 Single Action Spring Hinge is ideal for internal or external applications in any environment. Once installed the ST150 spring hinge can be adjusted to bring the door back quickly or slowly.

The Justor ST150 has multiple tension settings for detailed control of door closure speed and adjustments can be made without having to take the door down, alternatively, by reversing the tension on the ST150, the spring can be set to assist in the opening of the door.

An added advantage of the ST150 is its appearance; aesthetically pleasing to the eye, it is sleek with clean lines. Cost effective and highly functional, it is a real and effective alternative to traditional and unsightly door closers and other closing solutions. It's guaranteed for 2 years and is stocked locally in large quantities by Bellevue in Melbourne; the Justor ST150 is hard to overlook.



### ST150 Quick Facts:

The ST150 is designed to bring an open door that can weigh up to 60Kg back to a closed position without assistance and without the need for a traditional door closer. Aesthetically pleasing to the eye, highly cost effective and totally adjustable, it is an ideal alternative to traditional and unsightly door closers.

Due to its smart construction, it is a small diameter hinge that does not require periodic greasing. It comes with a 2 year guarantee and is made in Spain by Justor.

The ST150 ... the smart choice

### ST150 Quick Facts:

- Spring Resistance + 500,000 cycles
- Aluminium & Stainless Steel AISI 304
- Resistant to extreme Climatic Conditions (Cold and Humidity)
- Maximum resistance to bending
- Up to 60Kg in Door Weight
- Torsion Spring not a Coil Spring
- Variable Closing Strength (speed)
- Highly Efficient 180° Working Aperture
- Solid and Stylish Design
- For Wood or Aluminium Doors
- Slim Profile vs.. Bulky Door Closer
- Quick & Simple Installation
- No Periodic Greasing Required
- Manufactured in Spain and comes with a 2 Year Manufacturer's Guarantee

### Order Codes:

- BIST150 - Stainless Steel
- BIST150WHT - Aluminium PC White - new
- BIST150BLK - Anodized Black - new