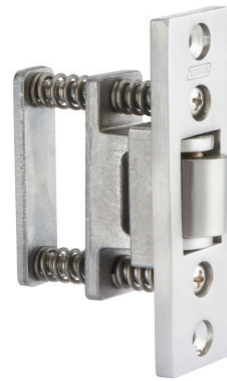




Roller Catches

General hardware



Simple and effective, Legge roller catches provide an easy way to hold doors closed where standard latching hardware is not required. Roller catches are used on front entry or corridor type doors that may require a more positive action.



Features

- Made from 304 grade stainless steel
- Adjustable for different door clearances
- Supplied with fixing screws
- 15201 roller catch utilises durable nylon roller, ensuring quiet operation
- 15211 heavy duty roller catch is made entirely from 304 grade satin stainless steel. It is also fire rated for 2 hours and can be easily adjusted for different door clearances via the front mounting plate
- Suitable for timber and metal doors

Warranties	
Mechanical	10 years
Finish	allegion.co.nz/finisheswarranty

Specification guide

Model

Kevdon Roller catch..... DAX15201
Heavy Duty Roller catch..... DAX15211

Finish

Satin stainless steel..... SSS
Satin stainless steel..... SSS

1. Model

Select the desired model e.g. Kevdon Roller catch DAX15201

2. Size

Select the desired size e.g. 50mm DAX15201-02

3. Finish

Select the desired finish e.g. Satin stainless steel DAX15201-02SSS

Finishes



SSS

Satin Stainless
Steel

Specifications

Door type	Timber or metal
Material	See individual products on the next page

Testing and Compliance



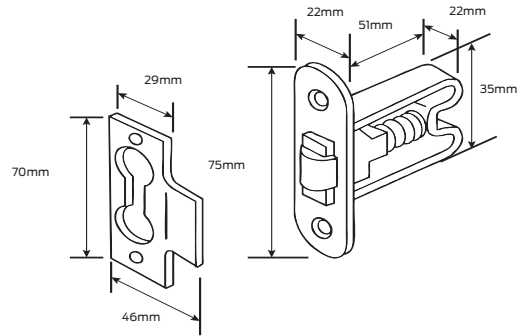
Fire Rating:

Successfully tested on fire door assemblies in accordance with AS1905 Part1: Fire resistance doorsets. Check with fire door manufacturer prior to installation.

15201 Kevdon Roller Catch

Supplied with screws. Stainless steel body, stainless steel faceplate and strike, nylon roller

Finishes: Satin stainless steel



15211 Heavy Duty Roller Catch

Supplied with screws and face plates. 304 stainless steel components

Finish: Satin stainless steel, matt black powdercoat

