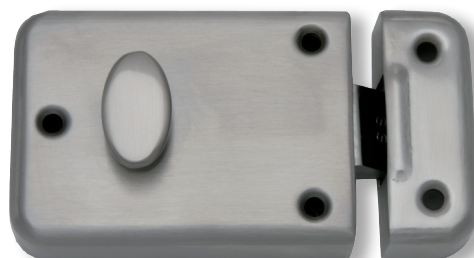




Nightlatch

Locks & latches



The Legge 454 Series Nightlatches are a stainless steel, rim mounted lock designed primarily for outward opening cupboards and duct doors in commercial applications.

Features

- Opened by key outside when installed with rim cylinder and turn snib inside
- Supplied with surface mounted strike plates for open out applications
- Cylinder available
- Supplied trade pack with screws and strike plate
- The 10 year warranty provides specifiers and users with assured quality and performance

Specification guide

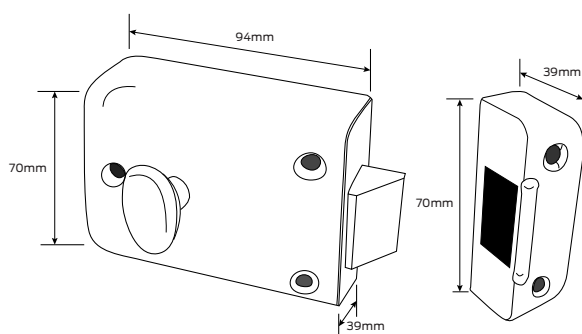
Model	Finish
Nightlatch454	Satin stainless steelSSS

1. Model
Select the desired model 454
2. Finish
Select the desired finish 454SSS

Certification



Fire Rated: Tested on fire door assemblies in accordance with Australian Standards.
Refer to fire door manufacturer for specific approval details



Specifications

Door type	Timber
Door thickness	32mm to 45mm
Lock case	Stainless steel
Bolt	Stainless steel Bolts are reversible
Strike plate	Satin stainless steel
Backsets	60mm
Key cylinder	Schlage E6 pin keyway optional Schlage Everest D keyway optional
Finish	Satin stainless steel
Warranty	10 year mechanical

Legge Nightlatch accessories

Rim cylinder

Finish: Satin chrome plate

