

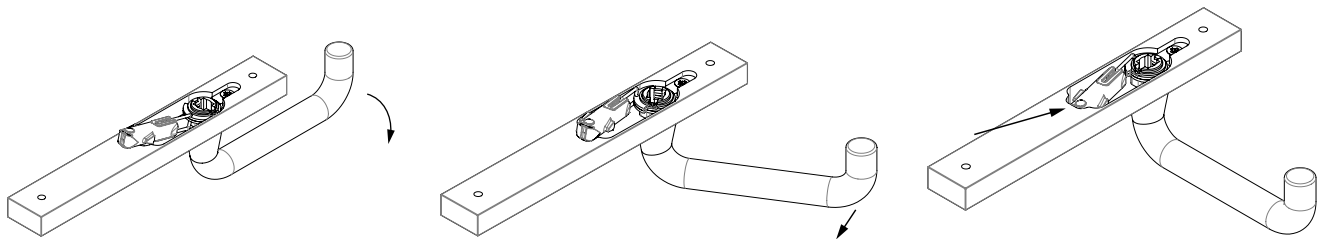
Install the lock or latch as per their instructions, with a 22mm spindle hole.

Setting the lever spring:

To ensure maximum spring tension and lifespan, your 5300/5400 series furniture requires you set the spring in place before installing.

To do this, you need to follow two simple steps:

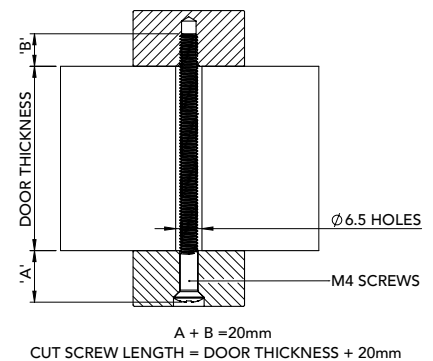
1. Turn the lever handle to 90 degrees (perpendicular to the plate)
2. Slide the spring cartridge forward and down into the back of the plate



Cutting the fixing screws:

To cut the screws to the correct length, measure your door thickness and add 20mm.

NOTE: It is critical you cut the fixing screws to the correct length. If you cut the screws too short you won't have enough screw-thread connection to hold the plates together and if you leave the screw too long, the plates will not fit snug against the door.



Drilling plate furniture holes:

NOTE: When fitting the 5300/5400 series furniture plates, ensure both plates are kept square with the edge of the door. If the plate isn't fitted squarely, it will be difficult to line up the tapped holes in the plate.

1. Align the plate with the countersunk holes to the lock spindle. Make sure the plate is parallel with the edge of the door and mark screw hole positions on the door.
2. Use the same plate and repeat this process on the other side of the door. Using a square, measure the distance to the centre of each hole to confirm accurate positioning.
3. Drill two 6.5mm holes half way through the door, then repeat on the other side of the door.

